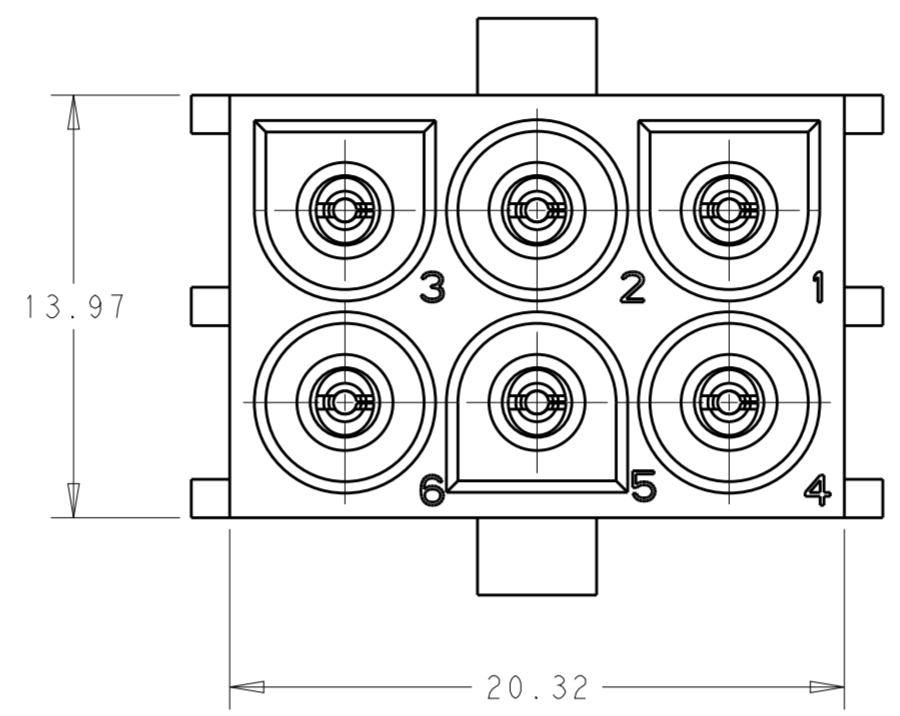
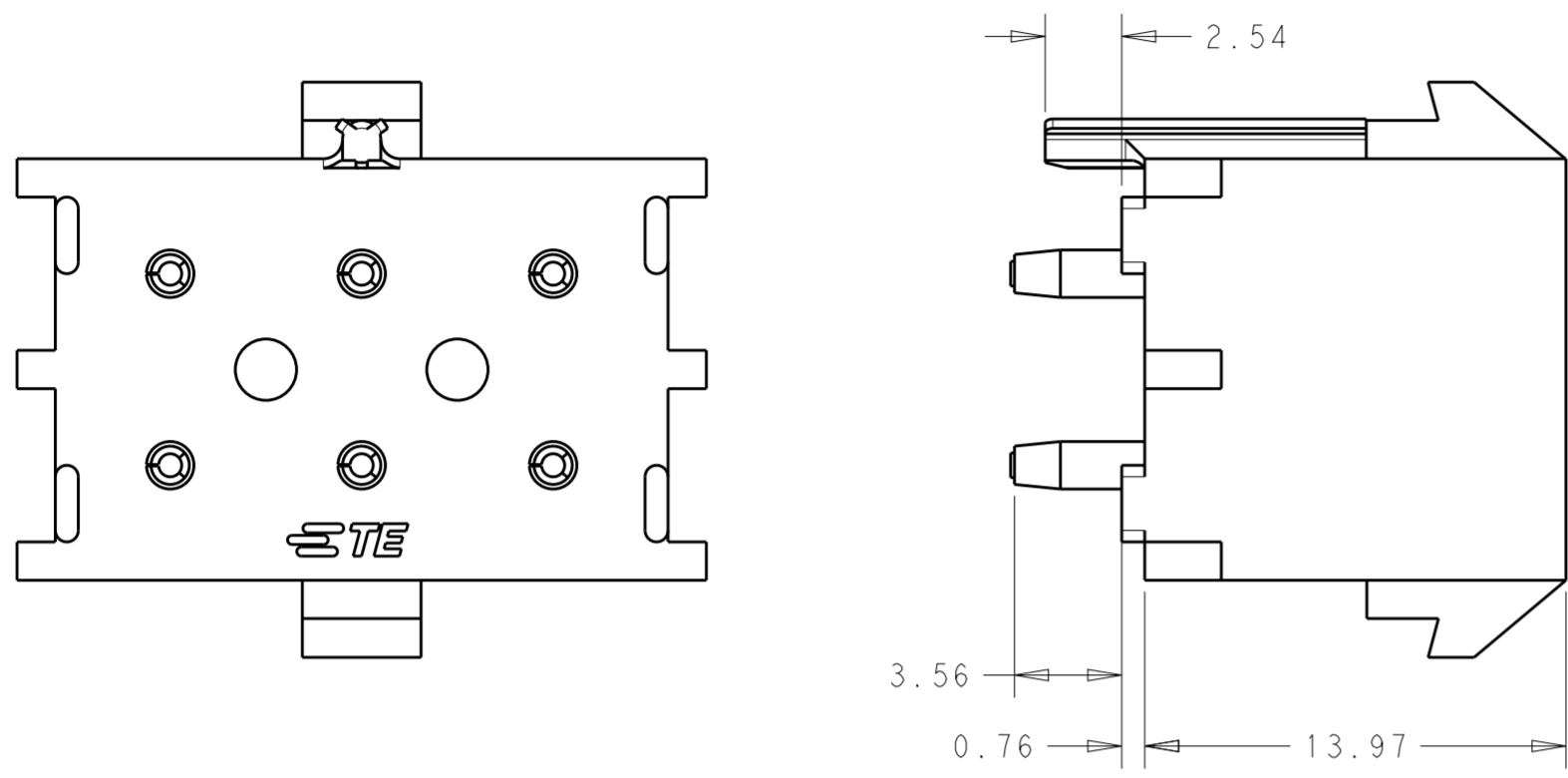


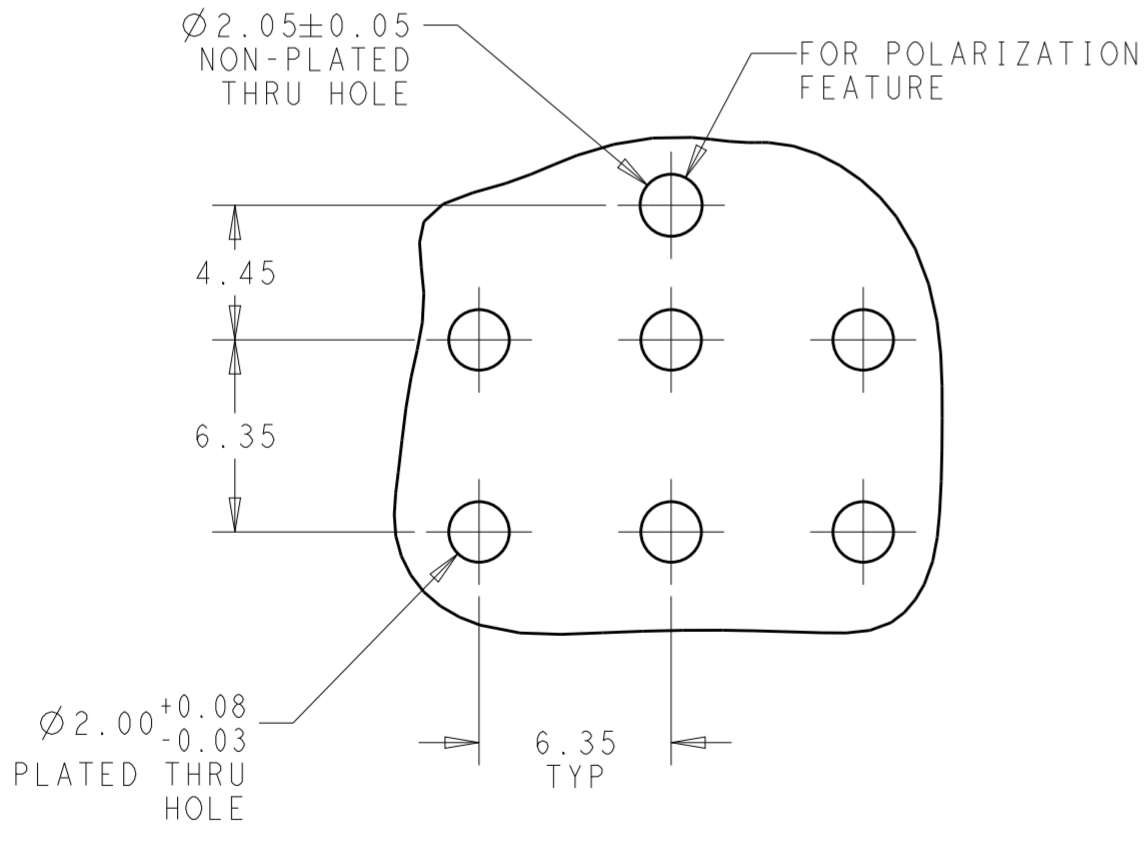
THIS DRAWING IS UNPUBLISHED. RELEASED FOR PUBLICATION 20  
 © COPYRIGHT 20 BY - ALL RIGHTS RESERVED.

REVISIONS					
P	LTR	DESCRIPTION	DATE	DWN	APVD
A		REVISED PER ECR-17-014561	10OCT2017	RK	JL
A1		REVISED PER ECR-17-015644	25OCT2017	RK	JL

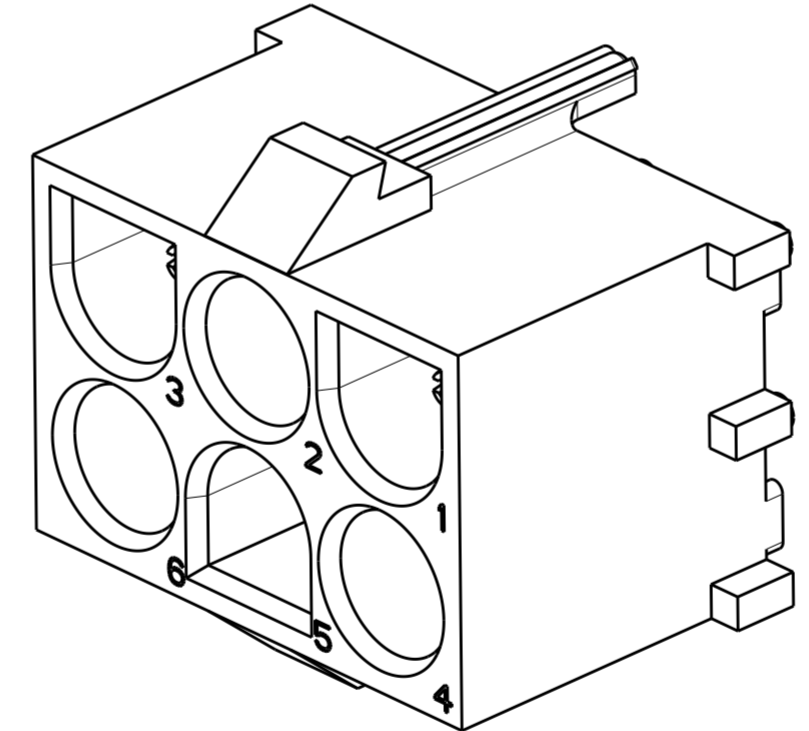


NOTES:

- PARTS COMPLY TO TE SOLDERABILITY SPEC 109-11-3.
- MATERIALS:
  - HOUSING:GF-LCP  
COLOR:SEE TABLE
  - CONTACT:PHOSPHOR BRONZE  
PLATING:TIN



RECOMMENDED MOUNTING HOLE PATTERN FOR 1.57 THICK PC BOARD SCALE 4:1



SCALE 4:1

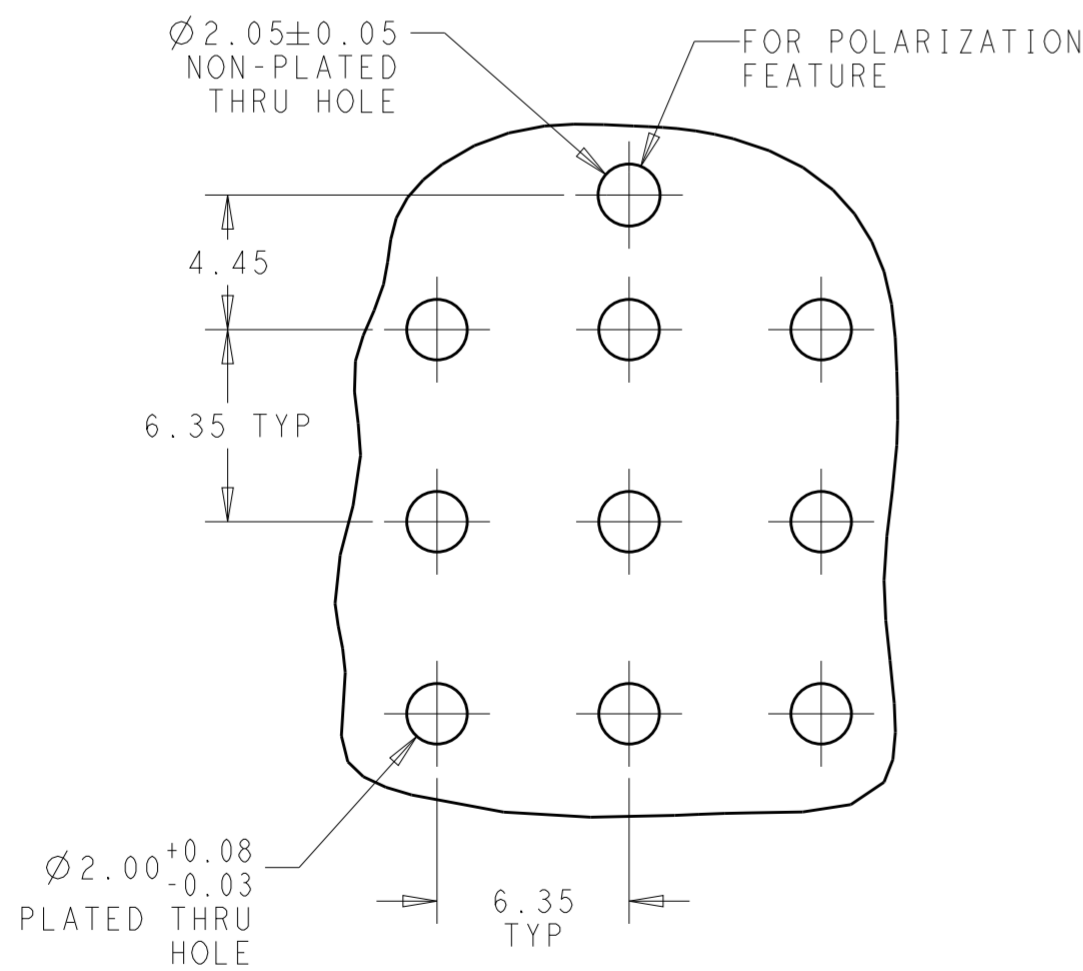
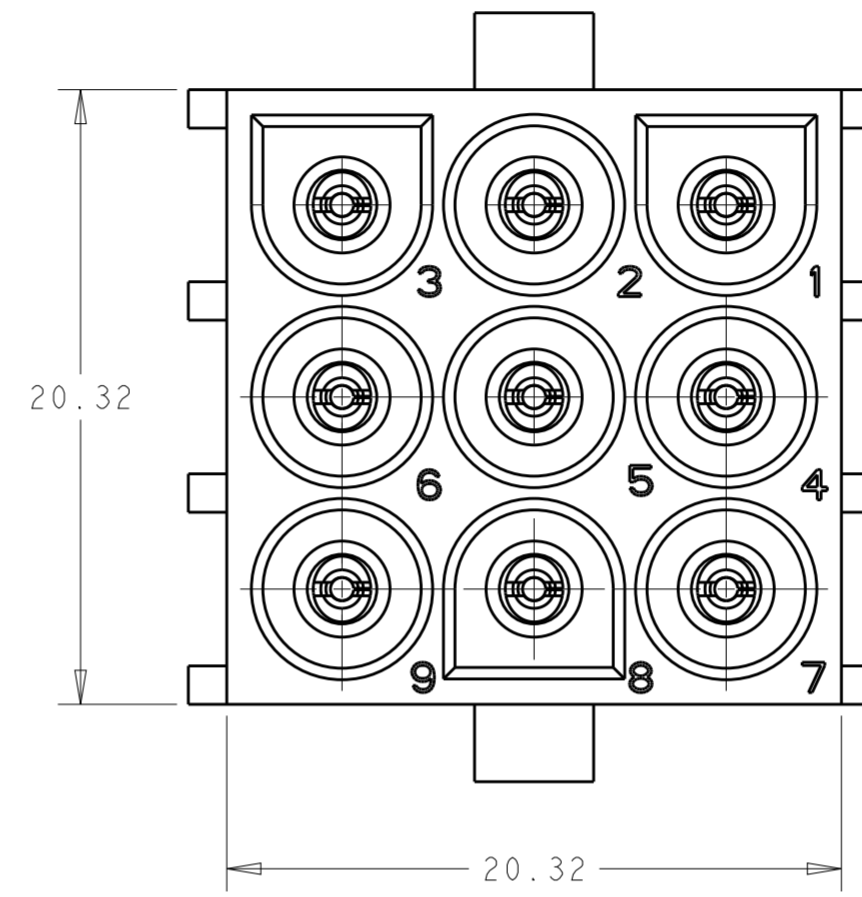
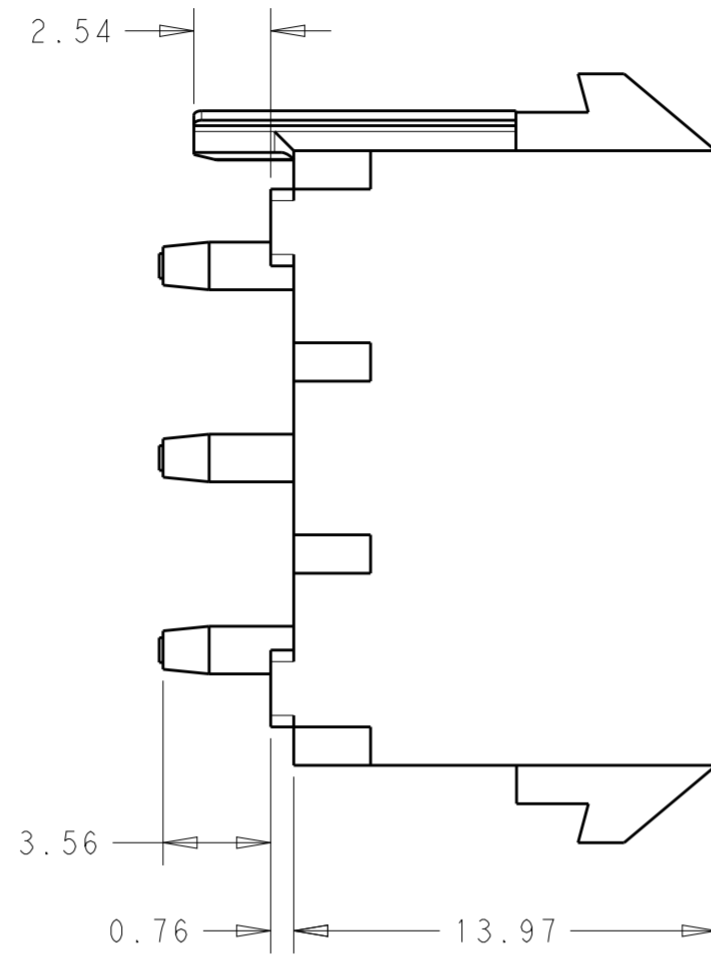
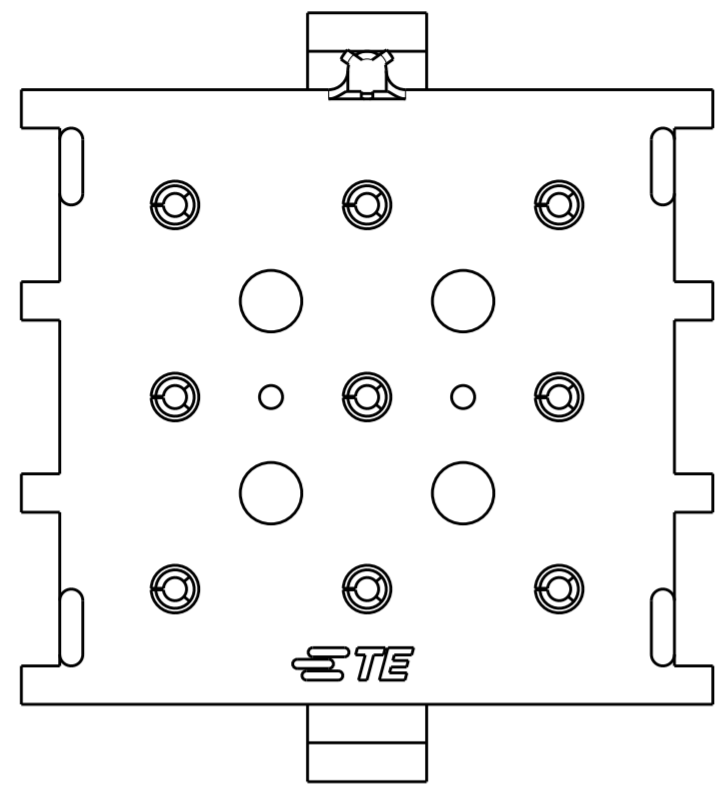
2213755-1, 1-2213755-1 SHOWN

COLOR	POSITION	PART NO.
BLACK	15 POS UMNL HEADER HOUSING POLARIZED	1-2213755-4
BLACK	12 POS UMNL HEADER HOUSING POLARIZED	1-2213755-3
BLACK	9 POS UMNL HEADER HOUSING POLARIZED	1-2213755-2
BLACK	6 POS UMNL HEADER HOUSING POLARIZED	1-2213755-1
NATURAL	15 POS UMNL HEADER HOUSING POLARIZED	2213755-4
NATURAL	12 POS UMNL HEADER HOUSING POLARIZED	2213755-3
NATURAL	9 POS UMNL HEADER HOUSING POLARIZED	2213755-2
NATURAL	6 POS UMNL HEADER HOUSING POLARIZED	2213755-1

THIS DRAWING IS A CONTROLLED DOCUMENT.		DWN J. SHAFFER 02NOV2015	TE Connectivity	
DIMENSIONS: mm		CHK M. MOSTOLLER 02NOV2015		
TOLERANCES UNLESS OTHERWISE SPECIFIED:		APVD M. MOSTOLLER 02NOV2015	NAME 3 ROW PIN HEADER ASSEMBLY, UMNL, HIGH TEMPERATURE	
0 PLC ±-	1 PLC ±0.5	PRODUCT SPEC 108-1053	SIZE A2	CAGE CODE -
2 PLC ±0.13	3 PLC ±-	APPLICATION SPEC 114-133083	DRAWING NO C-2213755	RESTRICTED TO -
4 PLC ±-	ANGLES ±-	WEIGHT -	SCALE 2:1	SHEET 1 OF 4
MATERIAL -	FINISH -	CUSTOMER DRAWING	REV A1	

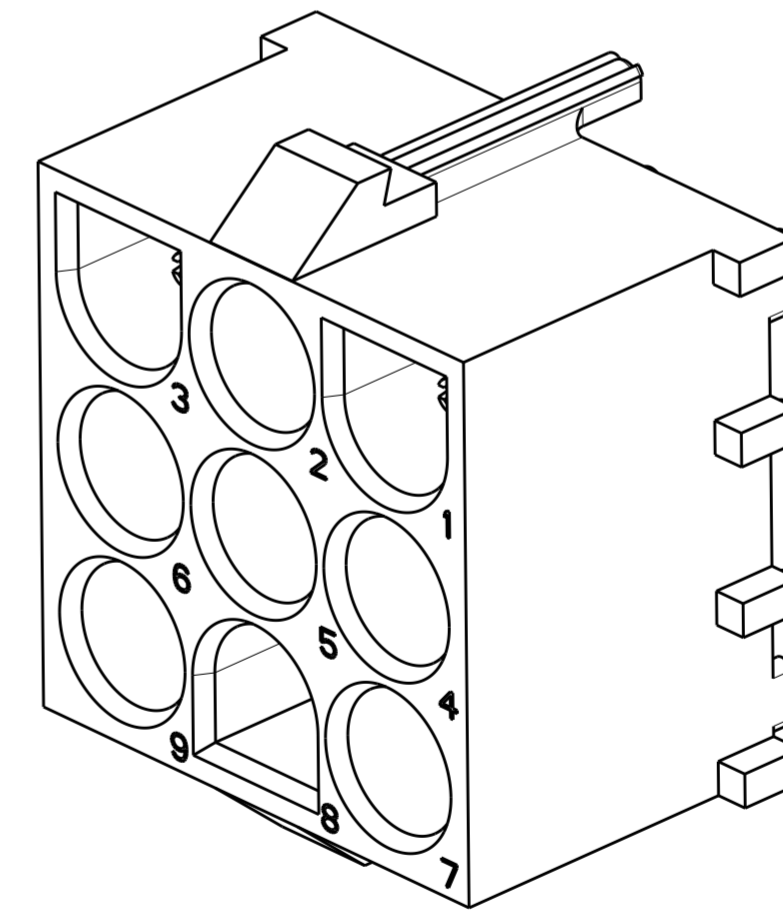
THIS DRAWING IS UNPUBLISHED. RELEASED FOR PUBLICATION 20  
 © COPYRIGHT 20 BY - ALL RIGHTS RESERVED.

REVISIONS				
P	LTR	DESCRIPTION	DATE	APVD
		SEE SHEET 1		



RECOMMENDED MOUNTING HOLE PATTERN  
 FOR 1.57 THICK PC BOARD  
 SCALE 4:1

2213755-2, 1-2213755-2  
 SHOWN

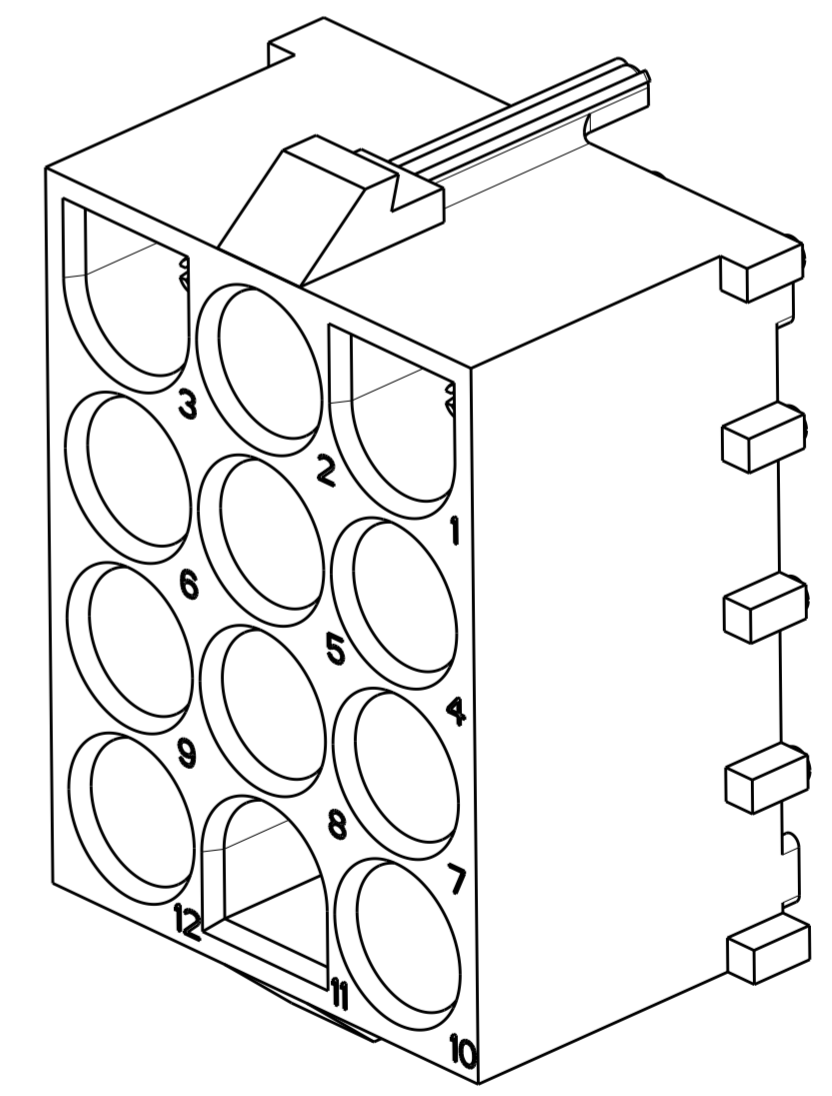
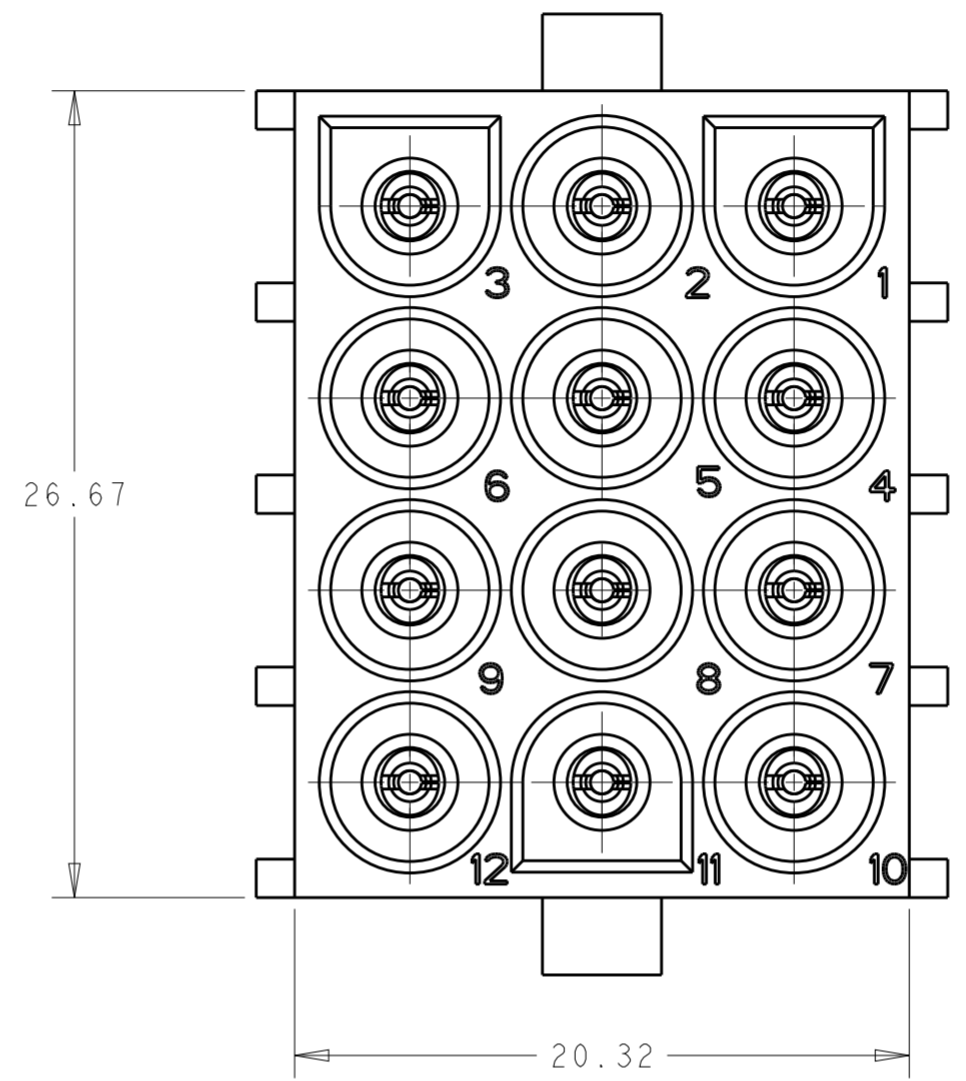
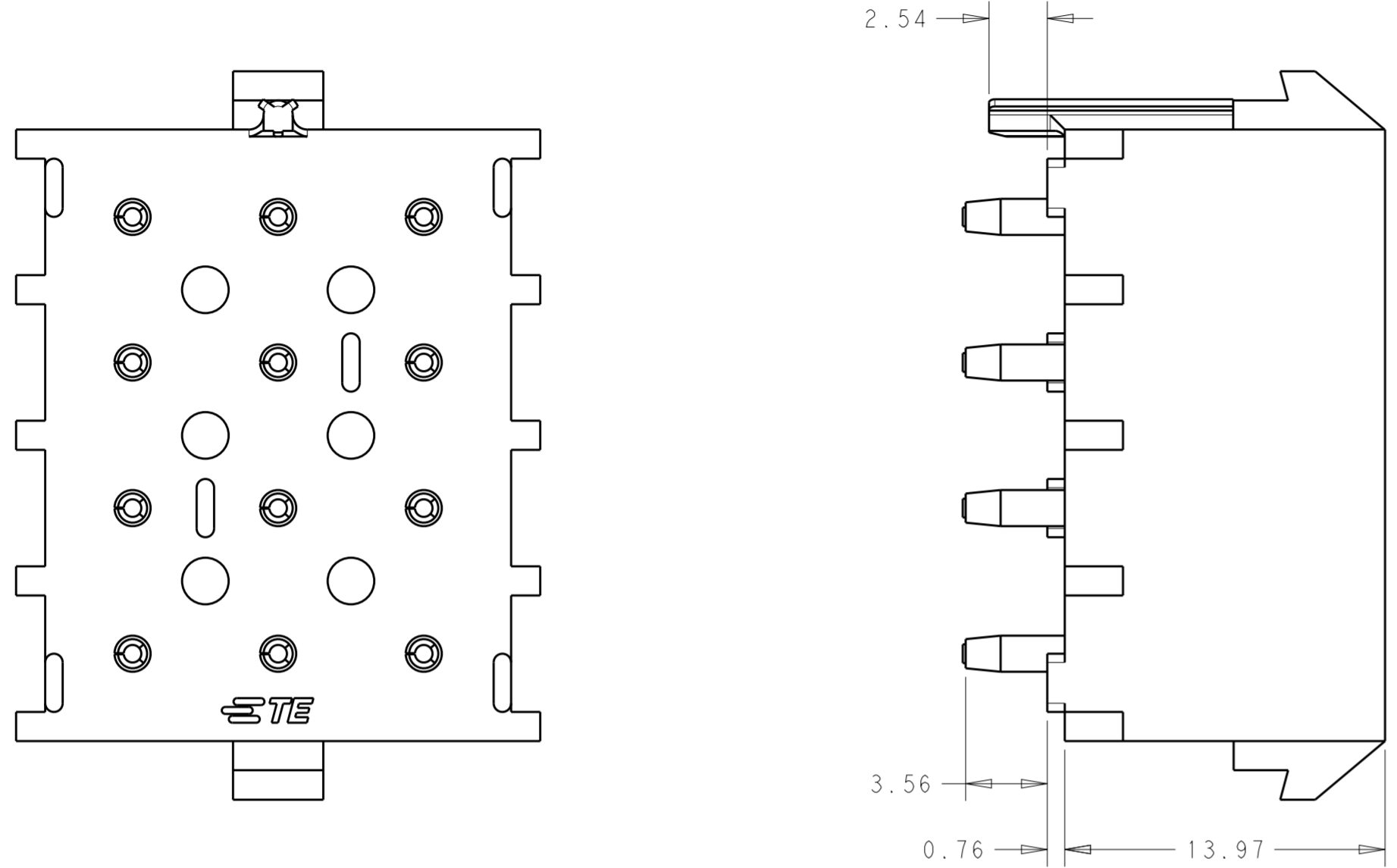


SCALE 4:1

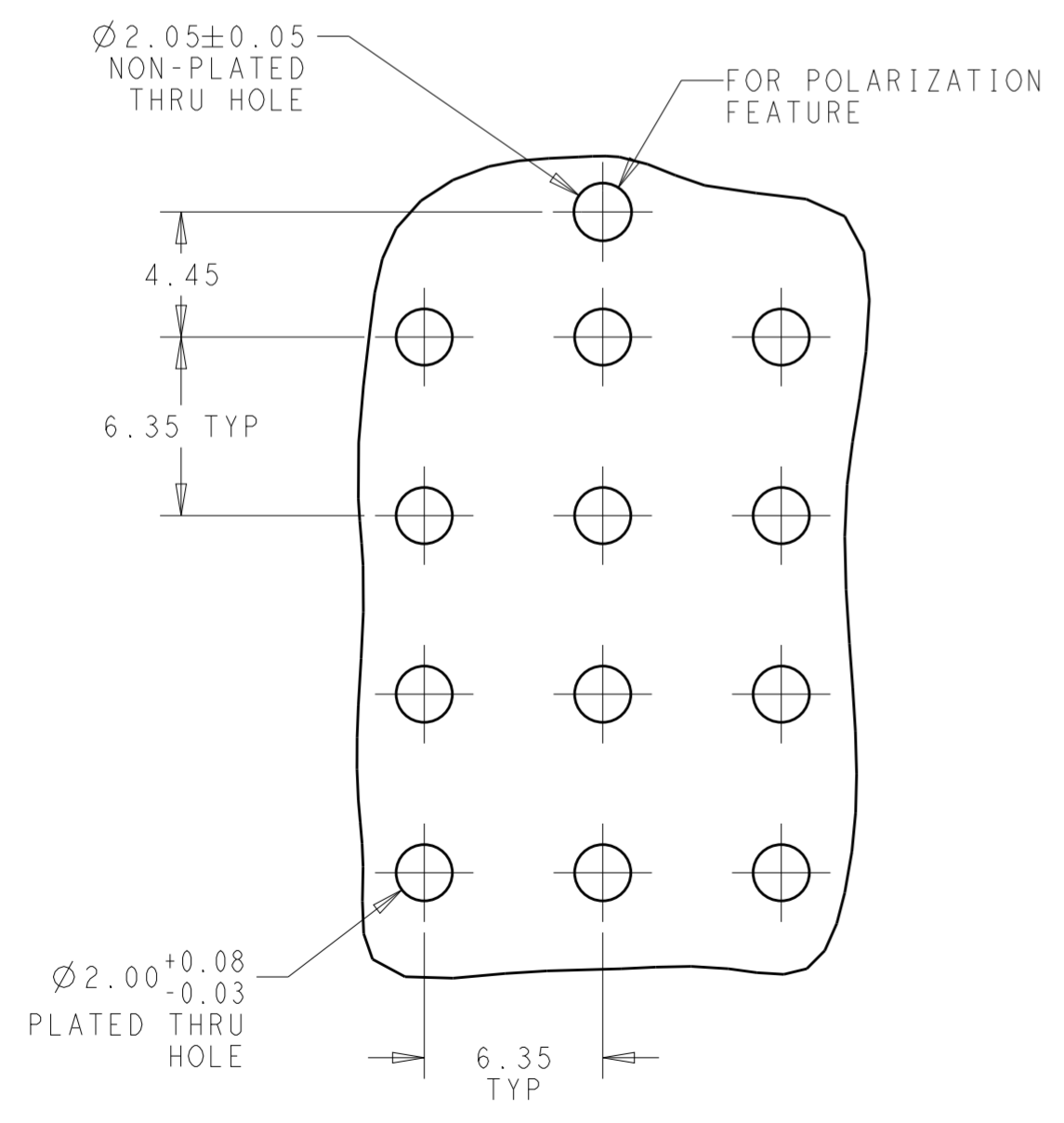
THIS DRAWING IS A CONTROLLED DOCUMENT.		DWN J. SHAFFER 02NOV2015	<b>STC</b> TE Connectivity	
		CHK M. MOSTOLLER 02NOV2015		
		APVD M. MOSTOLLER 02NOV2015	NAME 3 ROW PIN HEADER ASSEMBLY, UMNL, HIGH TEMPERATURE	
DIMENSIONS: mm		PRODUCT SPEC 108-1053	SIZE A2	
TOLERANCES UNLESS OTHERWISE SPECIFIED:		APPLICATION SPEC 114-133083	CAGE CODE -	
0 PLC ±		WEIGHT -	DRAWING NO C-2213755	
1 PLC ±0.5		RESTRICTED TO -		
2 PLC ±0.13		SCALE 2:1 SHEET 2 OF 4 REV A1		
3 PLC ±		CUSTOMER DRAWING		
4 PLC ±				
ANGLES ±				
FINISH -				

THIS DRAWING IS UNPUBLISHED. RELEASED FOR PUBLICATION 20  
 © COPYRIGHT 20 BY - ALL RIGHTS RESERVED.

REVISIONS				
P	LTR	DESCRIPTION	DATE	APVD
		SEE SHEET 1		



SCALE 4:1



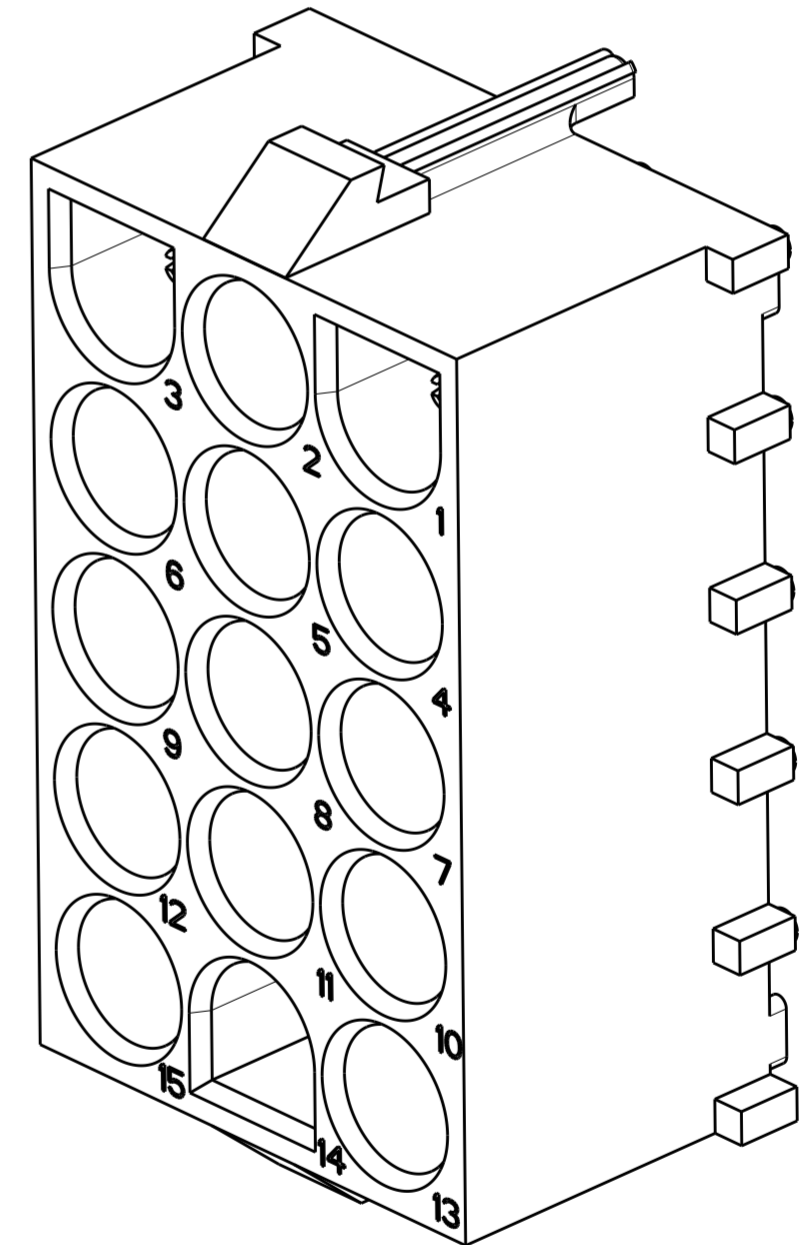
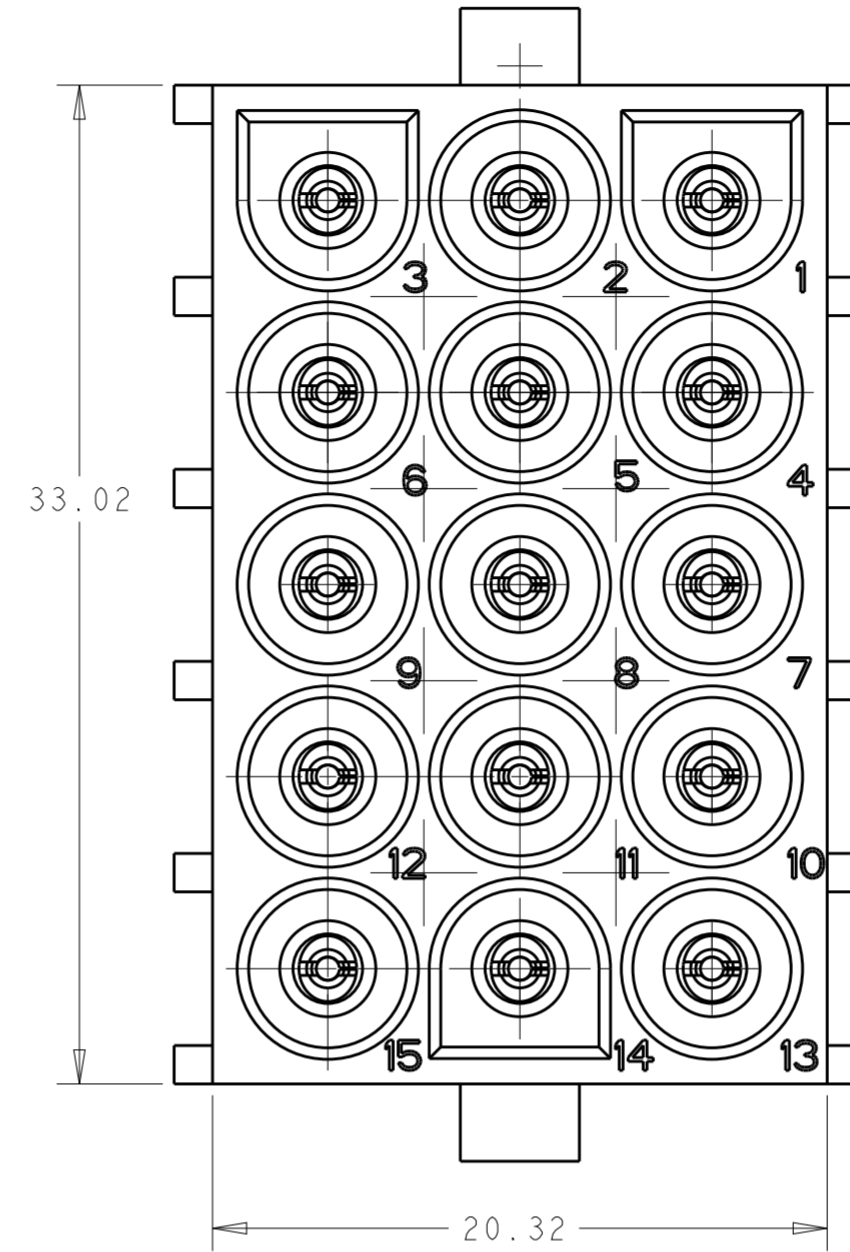
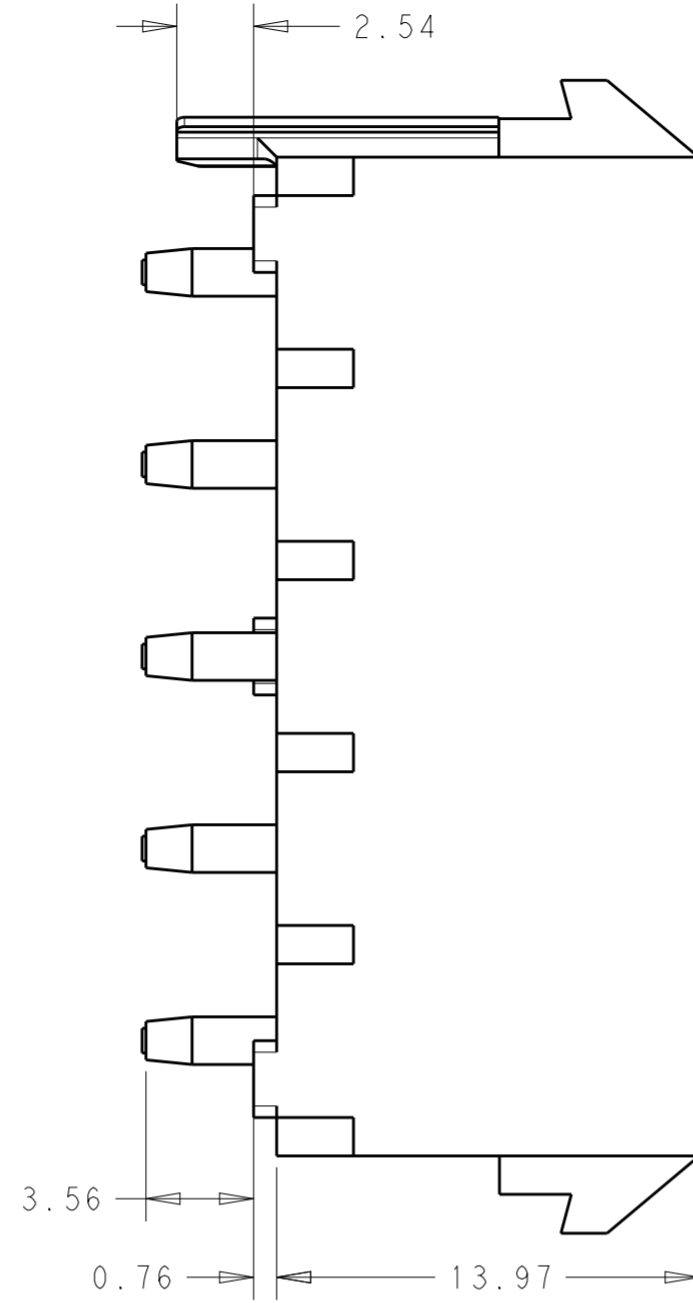
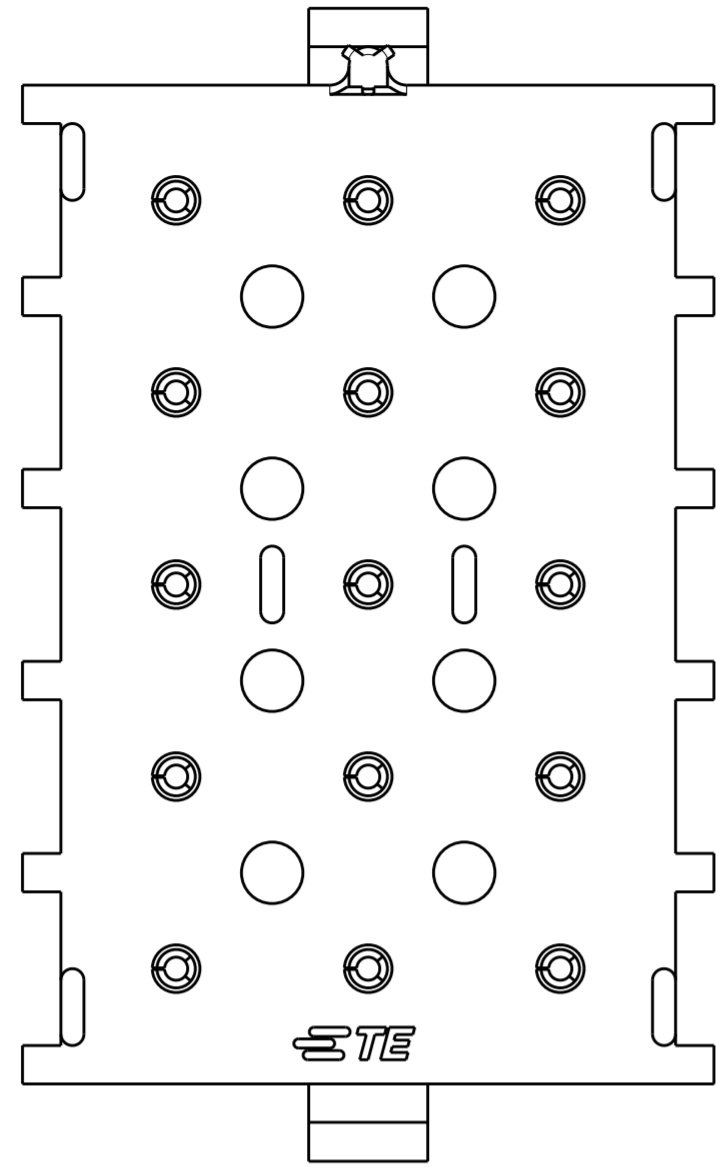
RECOMMENDED MOUNTING HOLE PATTERN FOR 1.57 THICK PC BOARD SCALE 4:1

2213755-3, 1-2213755-3 SHOWN

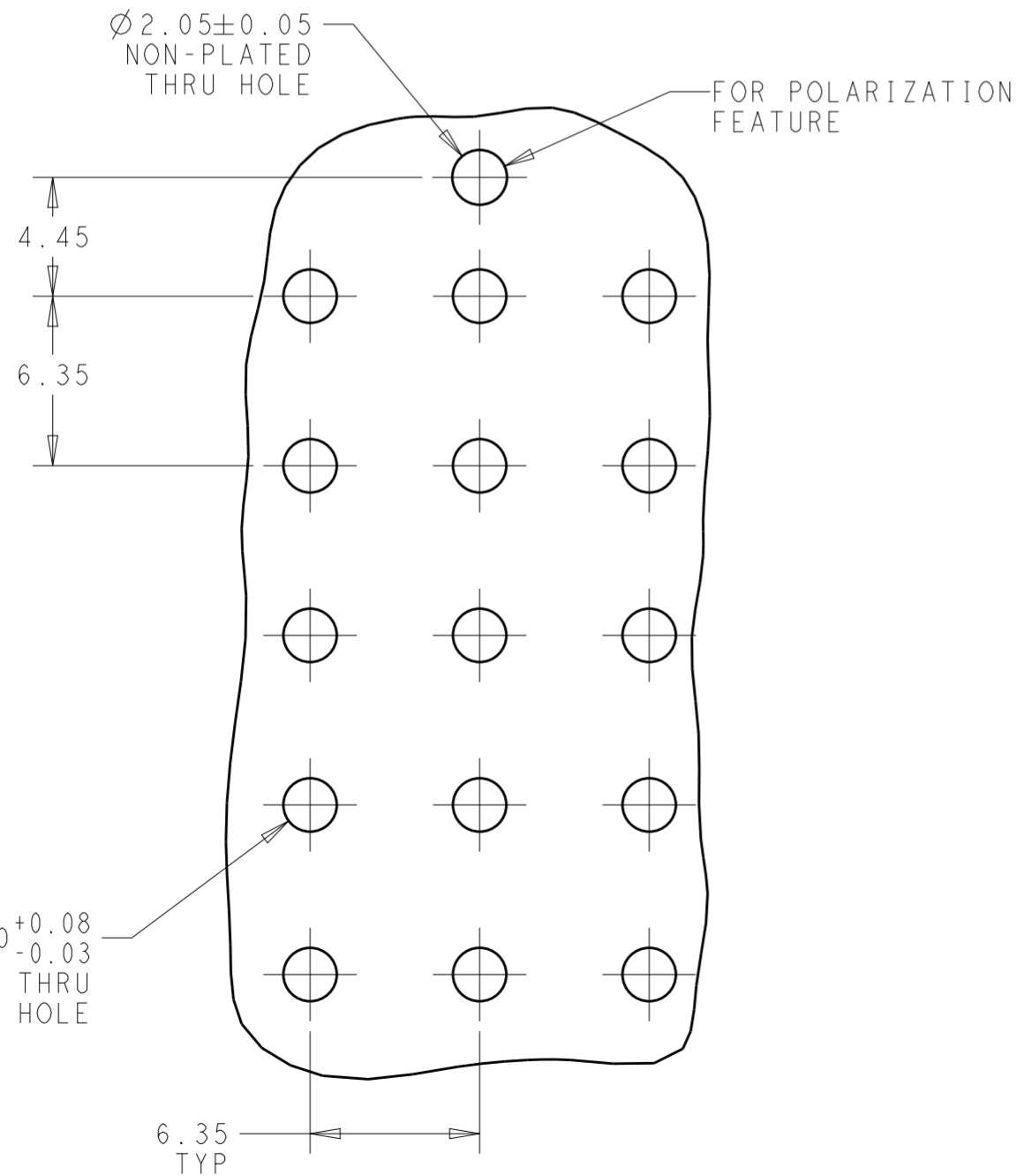
THIS DRAWING IS A CONTROLLED DOCUMENT.		DWN J. SHAFFER 02NOV2015	TE Connectivity	
DIMENSIONS: mm		CHK M. MOSTOLLER 02NOV2015		
TOLERANCES UNLESS OTHERWISE SPECIFIED:		APVD M. MOSTOLLER 02NOV2015	NAME 3 ROW PIN HEADER ASSEMBLY, UMNL, HIGH TEMPERATURE	
0 PLC ±	1 PLC ±0.5	PRODUCT SPEC 108-1053	SIZE A2	CAGE CODE -
2 PLC ±0.13	3 PLC ±	APPLICATION SPEC 114-133083	DRAWING NO G-2213755	RESTRICTED TO -
4 PLC ±	ANGLES ±	WEIGHT -	SCALE 2:1 SHEET 3 OF 4 REV A1	
FINISH		CUSTOMER DRAWING		

THIS DRAWING IS UNPUBLISHED. RELEASED FOR PUBLICATION 20  
 © COPYRIGHT 20 BY - ALL RIGHTS RESERVED.

REVISIONS				
P	LTR	DESCRIPTION	DATE	APVD
		SEE SHEET 1		



SCALE 4:1



RECOMMENDED MOUNTING HOLE PATTERN FOR 1.57 THICK PC BOARD SCALE 4:1

2213755-4, 1-2213755-4 SHOWN

THIS DRAWING IS A CONTROLLED DOCUMENT.		DWN J. SHAFFER 02NOV2015	TE Connectivity	
		CHK M. MOSTOLLER 02NOV2015		
		APVD M. MOSTOLLER 02NOV2015	NAME 3 ROW PIN HEADER ASSEMBLY, UMNL, HIGH TEMPERATURE	
DIMENSIONS: mm		PRODUCT SPEC 108-1053	SIZE A2	
TOLERANCES UNLESS OTHERWISE SPECIFIED:		APPLICATION SPEC 114-133083	CAGE CODE -	
0 PLC ±		WEIGHT -	DRAWING NO C-2213755	
1 PLC ±0.5		CUSTOMER DRAWING	RESTRICTED TO -	
2 PLC ±0.13		SCALE 2:1	SHEET 4 OF 4	
3 PLC ±			REV A1	
4 PLC ±				
ANGLES ±				
FINISH -				

# Mouser Electronics

Authorized Distributor

Click to View Pricing, Inventory, Delivery & Lifecycle Information:

[TE Connectivity:](#)

[1-2213755-1](#)