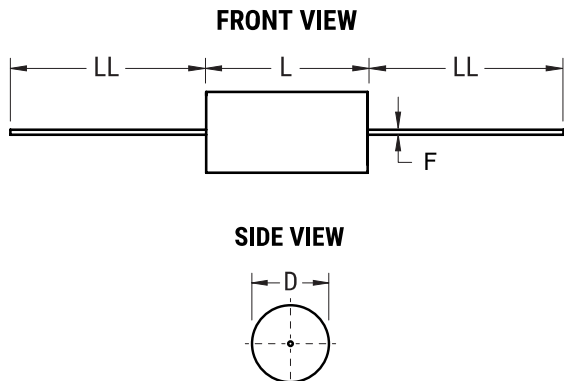


KEMET Part Number: A72QQ2220AA02K
(72QQ2220AA00K)

A72, Film, Film/Foil Polypropylene, General Purpose, 0.022 uF, 10%, 400 VAC, 1000 VDC, 85°C



General Information	
Supplier:	KEMET
Series:	A72
Dielectric:	Film/Foil Polypropylene
Style:	Axial
RoHS:	Yes
Lead:	Wire Leads
AEC-Q200:	No
Miscellaneous:	Above 85C DC And AC Voltage Derating Is 1.25%/C. maxK0 = 10000000

Dimensions	
D	11mm MAX
L	28mm MAX
LL	40mm +/-5mm
F	0.8mm +/-0.05mm

Specifications	
Capacitance:	0.022 uF
Capacitance Tolerance:	10%
Voltage AC:	400 VAC
Voltage DC:	1000 VDC, 750 VDC (105C)
Temperature Range:	-55/+105C
Rated Temperature:	85°C
Dissipation Factor:	0.05% 10kHz, 0.10% 100kHz
Insulation Resistance:	100 GOhms
Max dV/dt:	5000 V/us
Inductance:	28 nH

Packaging Specifications	
Packaging:	Bulk, Bag
Packaging Quantity:	500