


# ME MAX 35 2-2 KMGY

Order No.: 2713670

The illustration shows the version ME MAX 35 3-3 KMGY with DIN rail connector plugged in



Electronic housing consisting of: Housing shells left and right, 2x front plate, 2x transparent cover, intermediate element, metal foot catch and spring, open housing, 24-pos. (8 x 3 pos.), width: 35 mm, color: Light gray

Commercial data	
EAN	4 017918 917432 
Pack	10
Customs tariff	85369010
Gross weight in pieces	61.10 g
Country of Origin	DE
Catalog page information	Page 621 (CC-2011)

#### Product notes

WEEE/RoHS-compliant since: 01/04/2005



Please note that the data given here has been taken from the online catalog. For comprehensive information and data, please refer to the user documentation at <http://www.download.phoenixcontact.com>. The General Terms and Conditions of Use apply to Internet downloads.

## Technical data

General	
Housing type	Complete housing
Housing material	Polyamide
Color	light gray

### Dimensions / positions

Length	99 mm
Constructional height	114.5 mm
Width	35 mm
Number of positions	24

### Technical data

Ambient temperature (operation)	-40 °C ... 105 °C
Inflammability class according to UL 94	V0
Power dissipation at 20°C in the horizontal mounting position	7.9 W 16.3 W

### Certificates



Certification

cULus Recognized, UL Recognized

Certifications applied for:

Certification Ex:

### Accessories

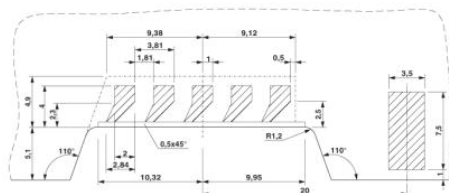
Item	Designation	Description
------	-------------	-------------

#### Plug/Adapter

2908294	ME FE-CONTACT	Functional earth ground contact, for intermediate elements.
---------	---------------	---

### Drawings

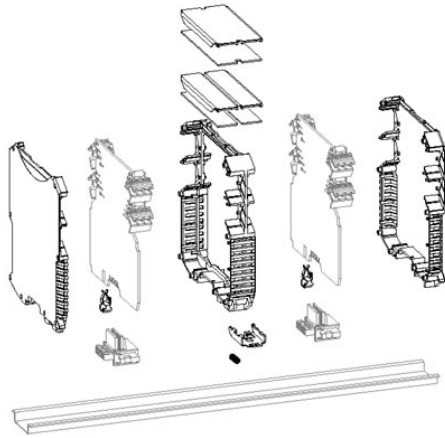
Drilling plan/solder pad geometry



Detailed dimensional drawing of the DIN rail connector contact pads

---

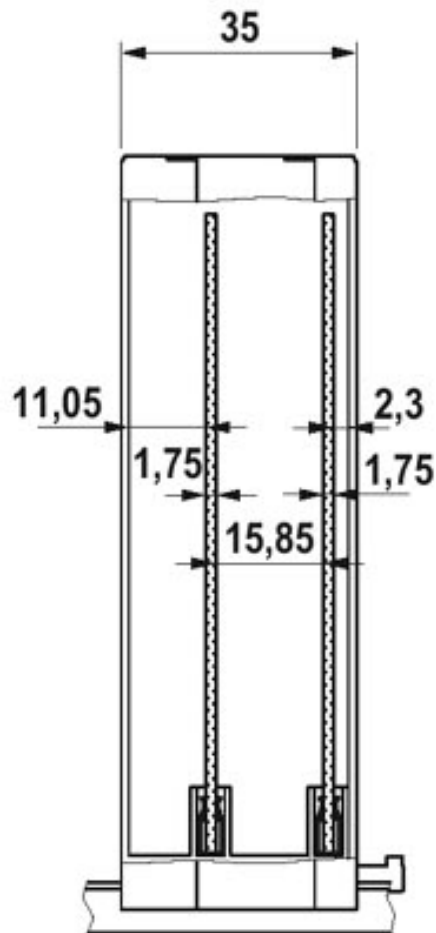
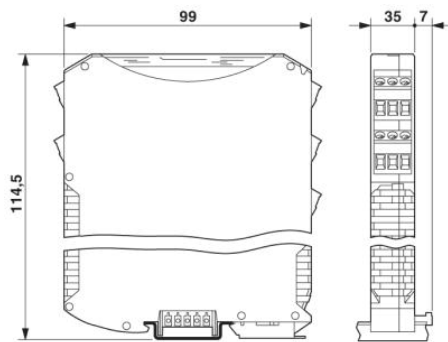
Explosion drawing

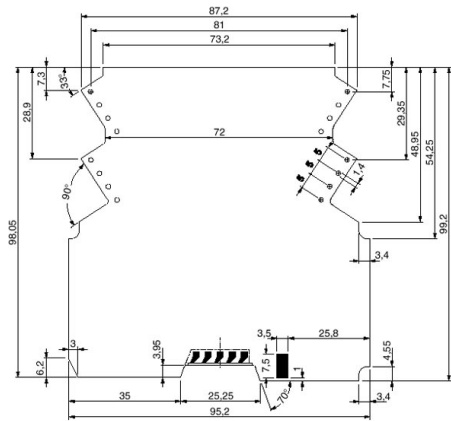


The illustration shows a version of the product (open housing) with accessories

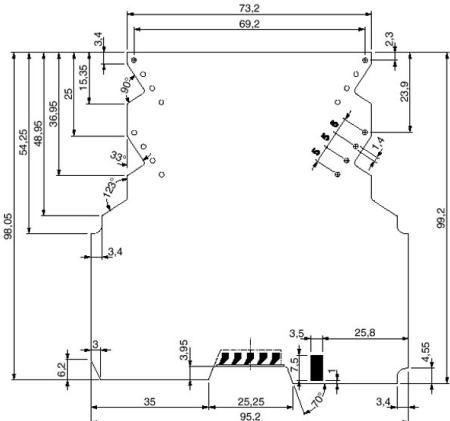
---

Dimensioned drawing





Dimensional drawing of the ME MAX 2-2 printed circuit board, for printed circuit terminal block connection (MKDSO), view: component side



Dimensional drawing of the ME MAX 2-2 printed circuit board for plug connection (MSTBO), view: component side

---

**Address**

PHOENIX CONTACT Ltd  
Halesfield 13  
Telford / Shropshire / TF7 4PG, England  
Phone 01952 681 700  
Fax 01952 681 799  
<http://www.phoenixcontact.co.uk>



Phoenix Contact Ltd.  
Technical modifications reserved;