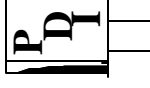


Precision Devices, Inc.

8840 N. Greenview Dr.
Middleton, WI 53562
Phone: 608-831-4445
1-800-274-XTAL
Fax: 608-831-3343



Visit our web site at www.pdixtal.com

Sales Information sales@pdixtal.com

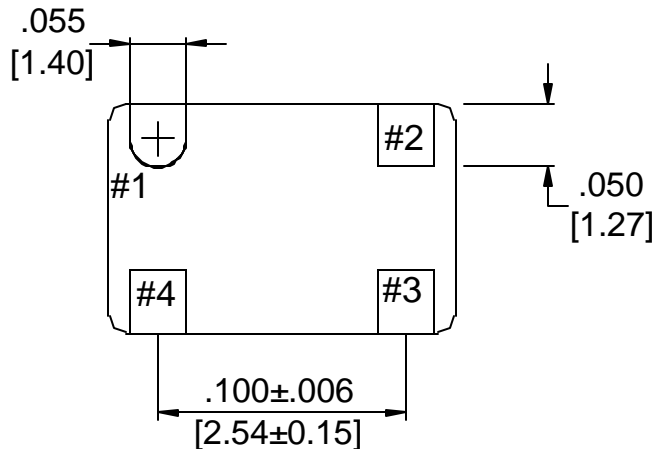
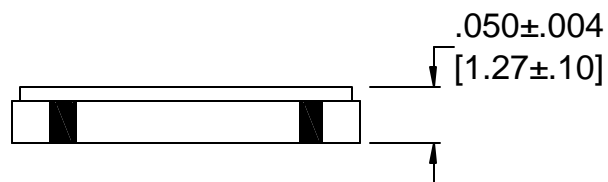
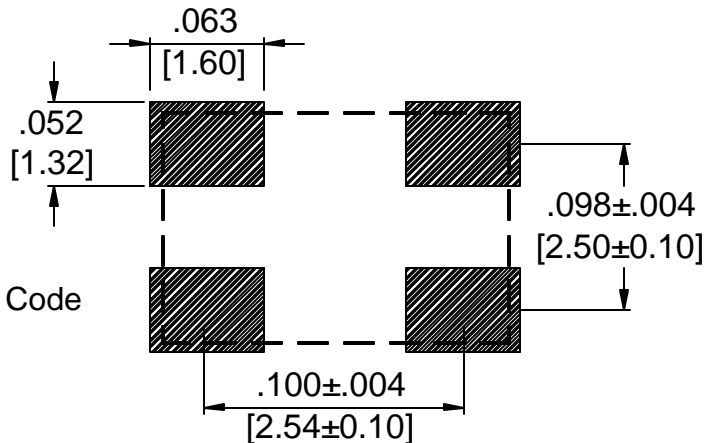
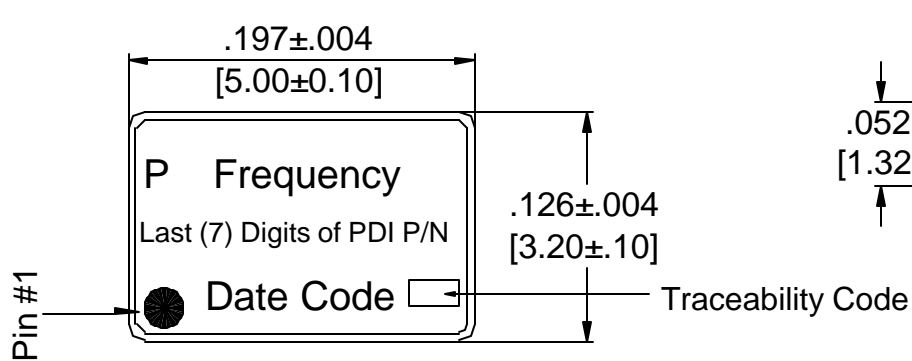
Electrical Specifications

1. Frequency: 33.000000 MHZ
2. Output: HCMOS
3. Frequency Tolerance @ 25°C: ±25ppm
4. Operating Temperature Range: -40°C to +85°C
5. Frequency Stability: ±25ppm (inclusive of aging and temperature stability over the life of the part)
6. Storage Temperature Range: -55°C to +125°C
7. Duty Cycle: 45/55% Max.
8. T-Rise, T-Fall: 6nS Max., 2.0nS Typ.
9. Supply Current: 18mA Max.
10. Supply Current O.T.: N/A
11. Supply Voltage: +3.3Vdc ±10%
12. Load: 50pF or 10 TTL
13. Shock: Per MIL-STD-202, Method 213, Condition C
14. Vibration: Per MIL-STD-883 Method 2007, Condition A
15. Start Up Time: 10mS Max.
16. Jitter: +/- 40 pS peak to peak Max.

Note: 100% test for frequency perturbations every 1 degree over entire temperature range.

The information contained in this drawing is the sole property of Precision Devices Inc. Any reproduction in part or as a whole without the written permission of Precision Devices Inc. is prohibited.

REV.	DATE	PAGE	DESCRIPTION	Auth.	ECN	Originator	Date	Engineering	Date
						J.L.	5/14/09	C.H.	5/14/09
						TITLE Crystal Oscillator Assembly		FKA	65033
						PART NUMBER	OC5E3300XHBDXX		
						DATE	SCALE	ECN.	REV.
						5/14/09	N.T.S.		A
						SIZE	CAGE	OS4G1	Page 1 of 2
						A			



Pin	Connections
1	Enable/Disable
2	Ground
3	Output
4	Supply



Precision Devices Inc.

8840 N. Greenview Dr.
 Middleton WI 53562
 608-831-4445
 1-800-274-XTAL



Manufacturer of Quartz Crystal Products

DECIMAL	DWG FILE	PART NUMBER	
XX=±.020 XXX=±.008	65033	OC5E33000XHBDEXX	
METRIC	SCALE	FREQUENCY	DRAWN BY
XX=±.50 XXX=±.20	N.T.S.	33.000000 MHz	J.Lawinger
ANGULAR	DRAWING TYPE		DATE
XX=±2°	Ceramic Crystal Oscillator Assembly		5/14/09
	REV. LEVEL	ECN NO.	CAGE CODE
	A		0S4G1