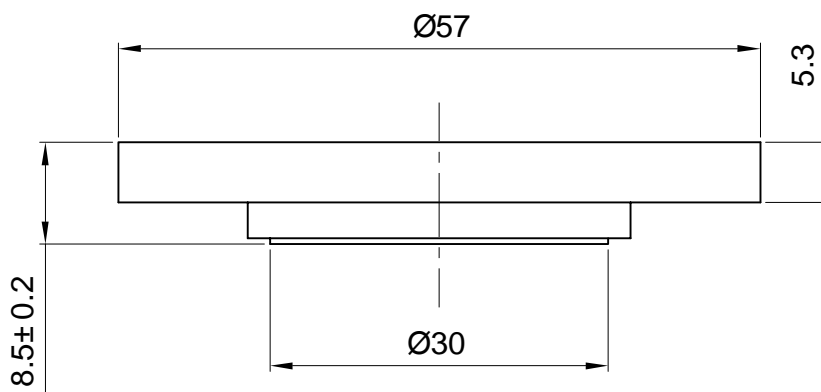
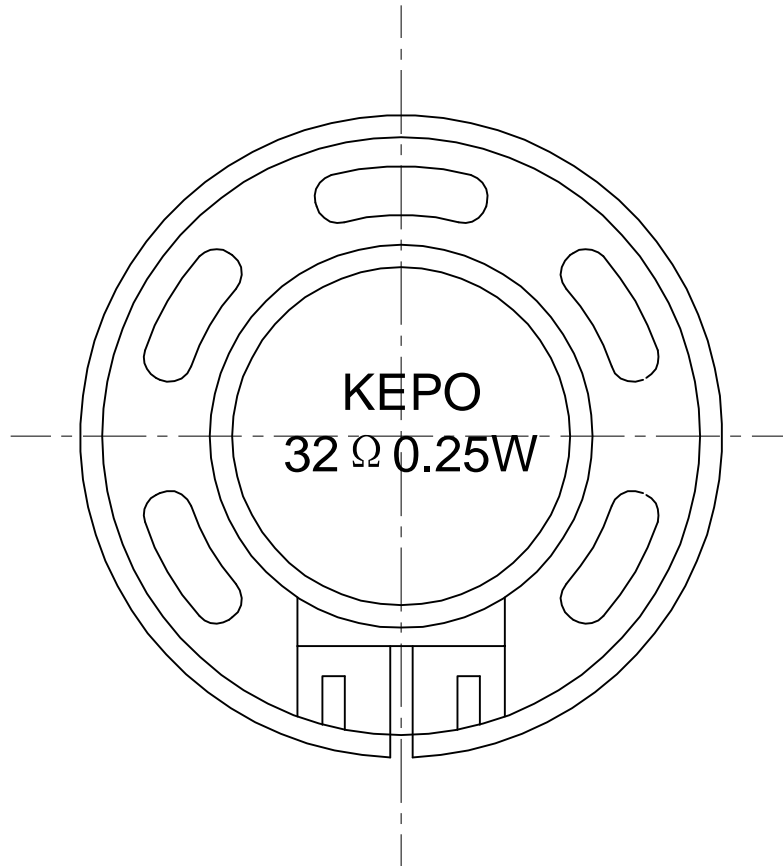


Speaker Specification

Customer's Model No.			Customer	QUARTZ-1		
Kepo Model No.		KPSP5785PF-32/0.25A	Size	Φ57mm	No.	J22315
No.	Item	Specification		Test Condition		
1	Impedance	32Ω± 15%		at 800Hz		
2	Resonant Fr. (f _o)	400Hz± 20%				
3	Frequency Range	F0-4.0KHz				
4	Rated Power	0.25W				
5	Max Power	0.3W				
6	S.P.L.	78± 3dB		1W / 1M at 1.0k		
7	Distortion	Max 5%		at rated power 1.0kHz		
8	Sweep Test	must be normal		at sine wave 2.83 V		
9	Load Test	after test meet item 8		rated noise power, 24 Hrs.		
10	Heat Test	after test meet item 8		50± 2℃ 5Hrs.		
11	Cold Test	after test meet item 8		-20± 2℃ 5Hrs.		
12	Humidity Test	after test meet item 8		40± 2℃,90/95%R.H. 5Hrs.		
13	Weight					
14	Polarity Test	When supplied plus D.C. voltage to (+) terminal, the cone must move to forward.				
15	Note					

Dimensions:



FIRST ANGLE PROJECTION

UNIT : mm
Tolerance : ±0.2