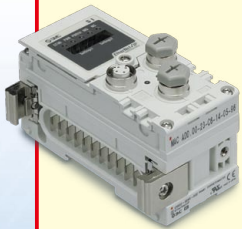


Fieldbus System (For Input/Output)

New



Compatible Protocols

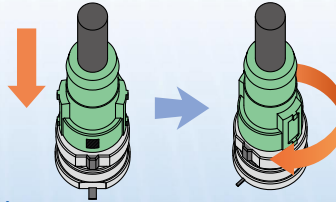


New Unit type added

Dual port SI Unit (EtherNet/IP™) product

- Can be used for linear type or DLR type topology.
- Supports QuickConnect™ function.
- Status checks and settings can be performed on a web browser.

Reduction in wiring time with SPEEDCON (Phoenix Contact).
Just insert and make 1/2 rotation!



IP67

Note) Some products are IP40.



Handheld Terminal

Self Diagnosis Function

It is possible to ascertain the maintenance period and identify the parts that require maintenance, by an input/output open circuit detection function and an input/output signal ON/OFF counter function. Also, the monitoring of input and output signals and the setting of parameters can be performed with a Handheld Terminal.



Max. 9 Units ^{Note)}
Can be connected in any order.

The Input Unit to connect input device such as an auto switch, pressure switch and flow switch, and the Output Unit to connect output device such as a solenoid valve, relay and indicator light can be connected in any order.

Note) Except SI Unit

Manifold Solenoid Valves

Series SY3000/5000/7000



IP67

Series SV1000/2000/3000



IP67

Series S0700



IP40

Series VQC1000/2000/4000/5000



IP67

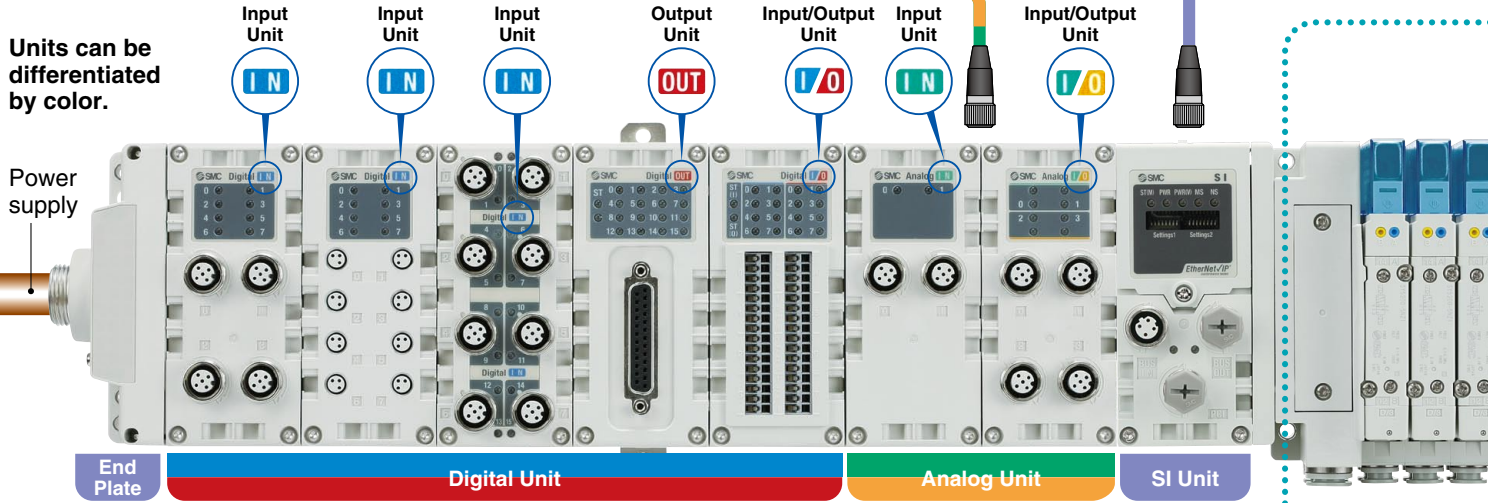
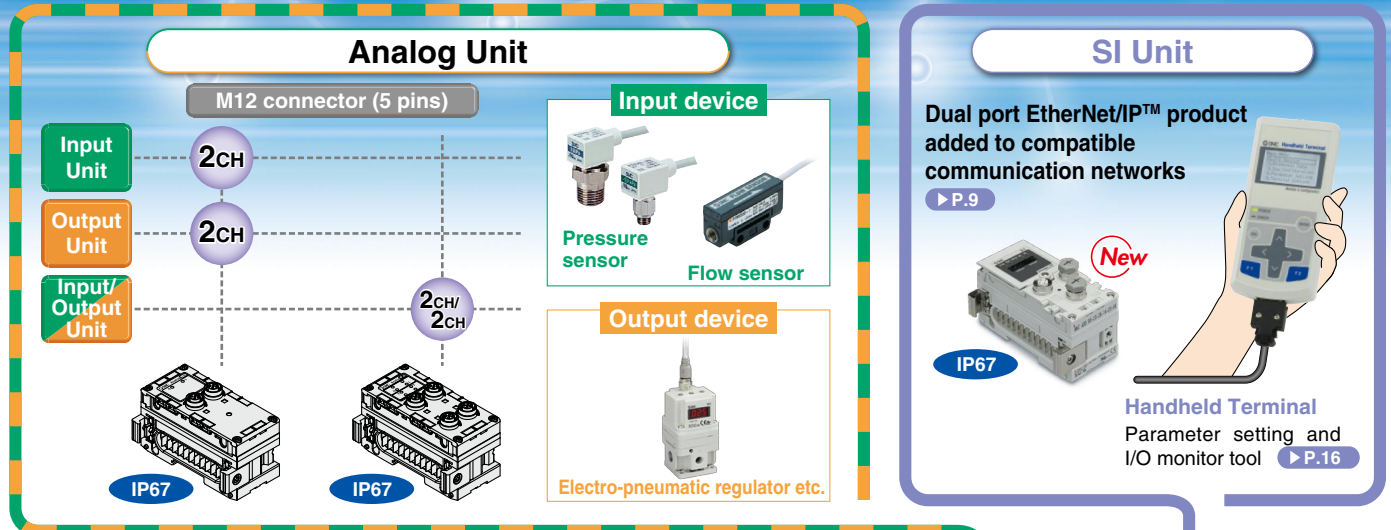
Note) The SY3000/5000/7000, S0700, and VQC1000/2000/4000/5000 are not UL-compatible.

Series EX600

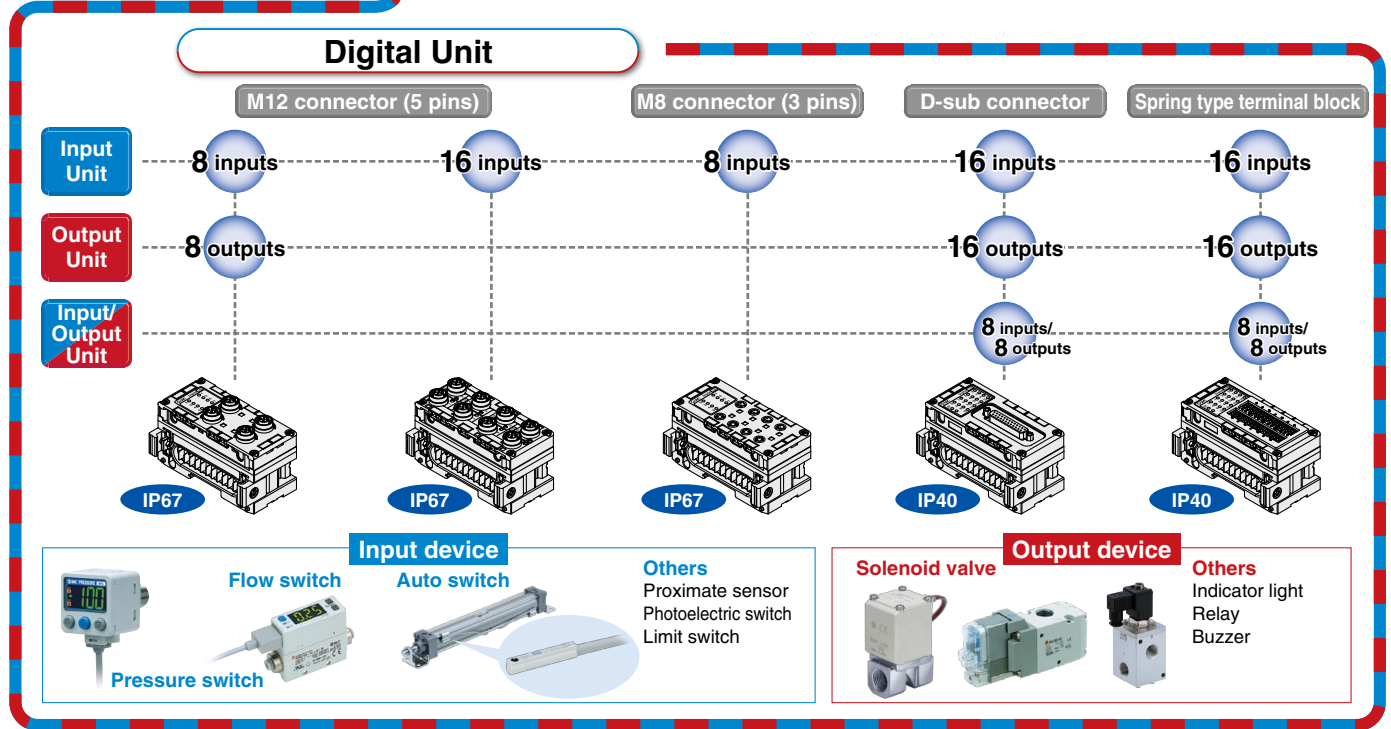


CAT.E02-24E ^A

Series EX600 Configurations



For detailed specifications of connectable device, refer to the catalog of each device and select the right device for your application. If anything is unclear, please contact SMC.





Manifold solenoid valves



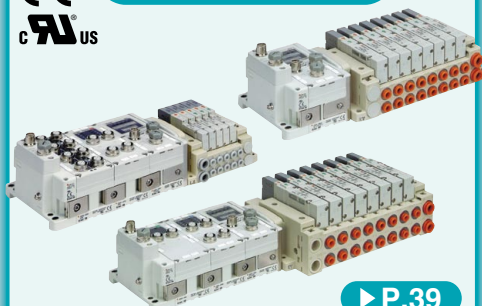
Series SY (IP67)



▶ P.27



Series SV (IP67)



▶ P.39



Series S0700 (IP40)



▶ P.47



Series VQC (IP67)



▶ P.51

SI Unit

Unit to connect various Fieldbus with the EX600 system

- How to Order ▶ P. 9
- Specifications ▶ P. 11, 12
- Parts Description ▶ P. 17
- Dimensions ▶ P. 19



Digital Unit

Unit to input or output digital (switch) signals

- How to Order ▶ P. 9
- Specifications ▶ P. 13, 14
- Parts Description ▶ P. 18
- Dimensions ▶ P. 20



Analog Unit

Unit to input or output analog (voltage/current) signals

- How to Order ▶ P. 10
- Specifications ▶ P. 15, 16
- Parts Description ▶ P. 18
- Dimensions ▶ P. 20



End Plate

Unit to supply power to the EX600 system

- How to Order ▶ P. 10
- Specifications ▶ P. 16
- Parts Description ▶ P. 18
- Dimensions ▶ P. 19



Handheld Terminal

Parameter setting and I/O monitor tool

- How to Order ▶ P. 10
- Specifications ▶ P. 16
- Parts Description ▶ P. 17
- Dimensions ▶ P. 19



Accessories

Options including a power supply cable etc. for the EX600 series



▶ P. 21

Table of Mountable Units ▶ P. 25

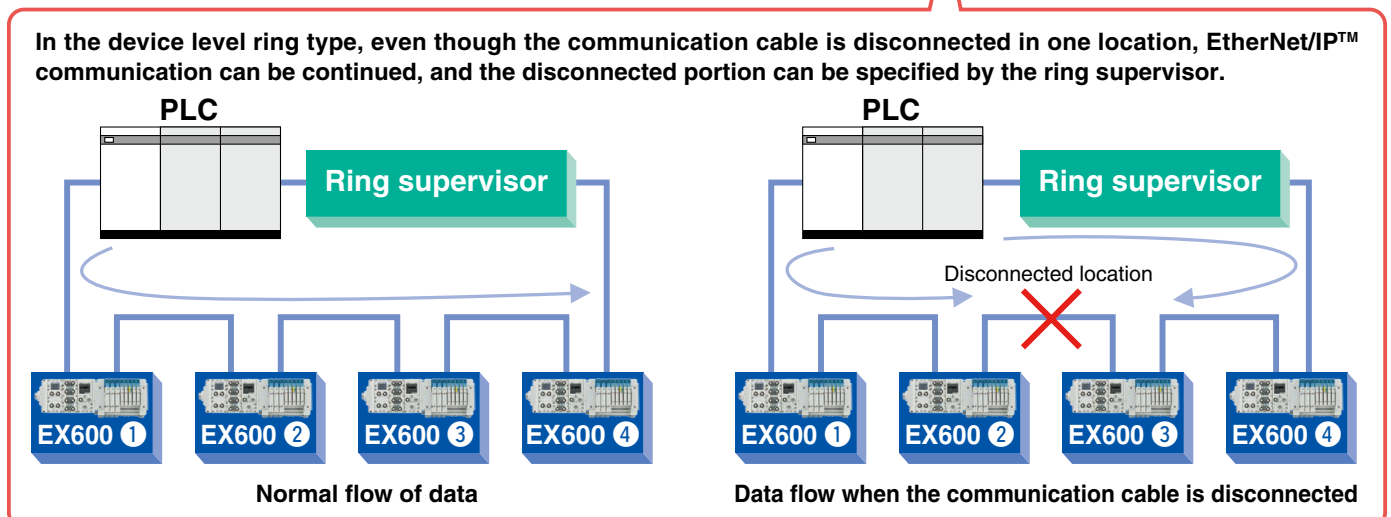
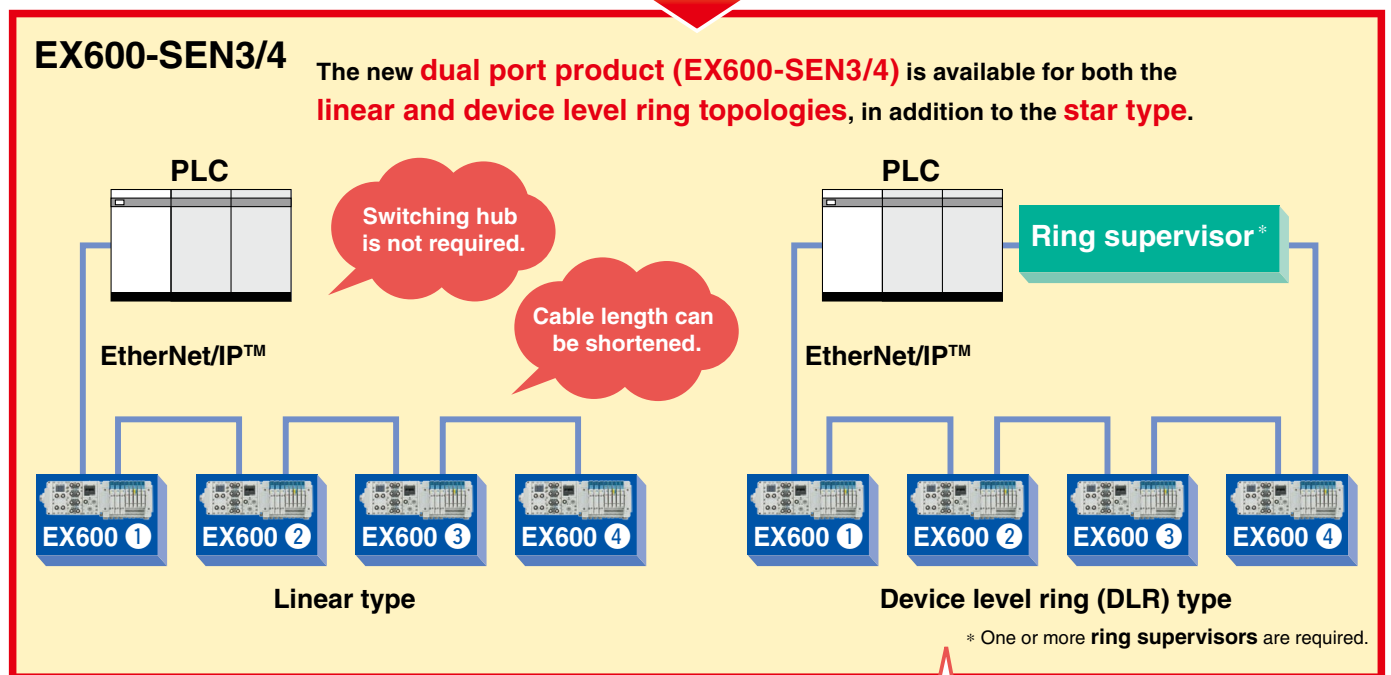
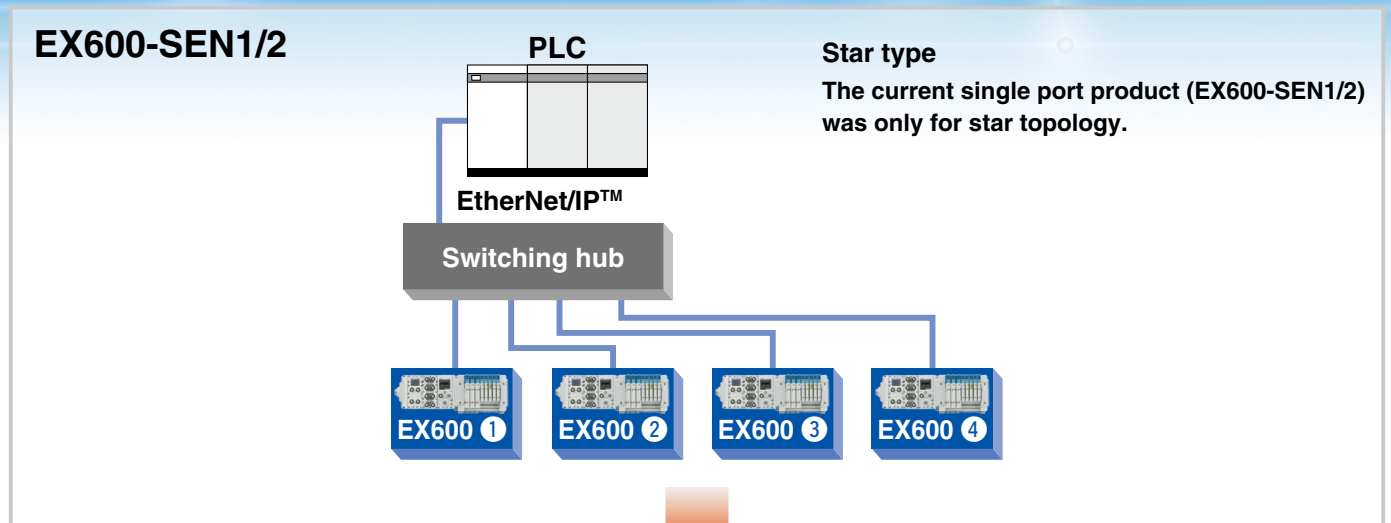
Manifold Solenoid Valves for EX600..... ▶ P. 26

Specific Product Precautions ▶ P. 63

Latest EtherNet/IP™ Technology

The following functions are available for the dual port EtherNet/IP™ product (EX600-SEN3/4).

Added Compatible Topologies (connection configuration).



QuickConnect™ Function Available

From Power ON to communication connection

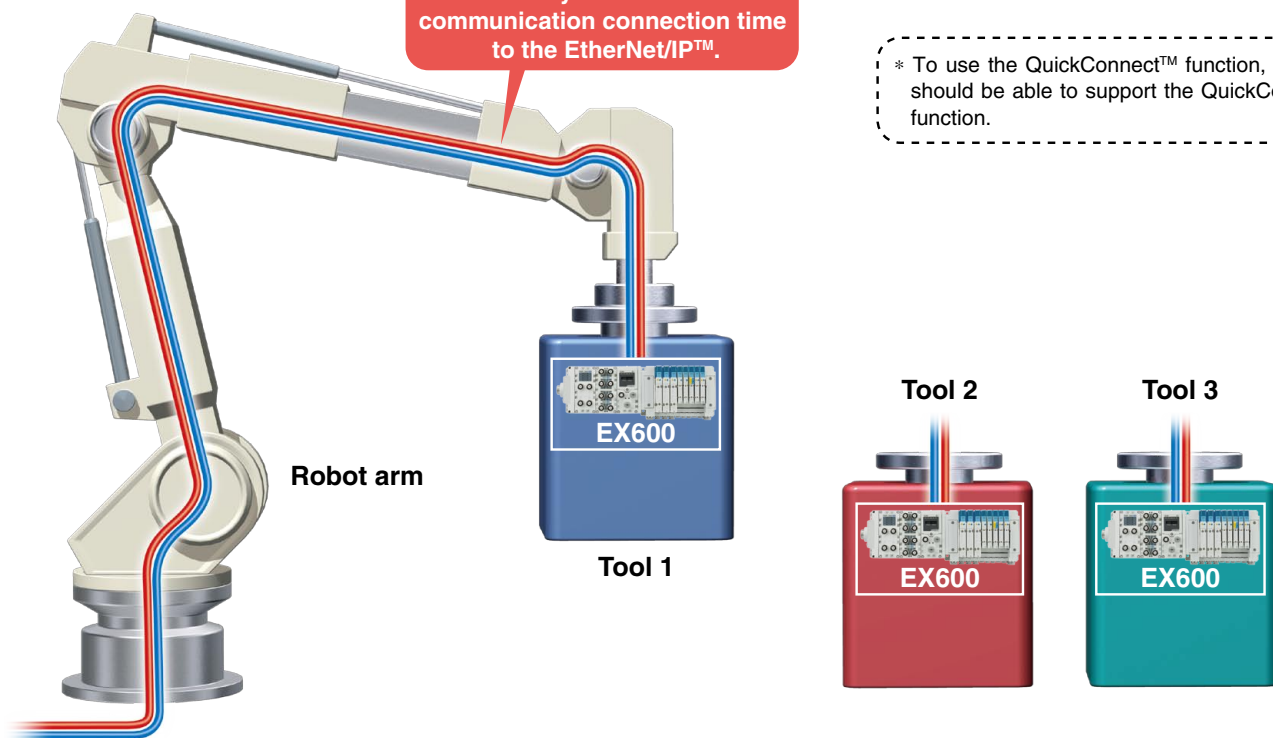
10 sec.

Approx.
0.5 sec.

In the case of a tool changer, it takes about 10 seconds for the communication to be connected in common EtherNet/IP™ products, after the power of the device installed on the tool is turned ON. Since the QuickConnect™ function* is available in the EX600-SEN3/4, the communication can be connected in about 0.5 seconds.

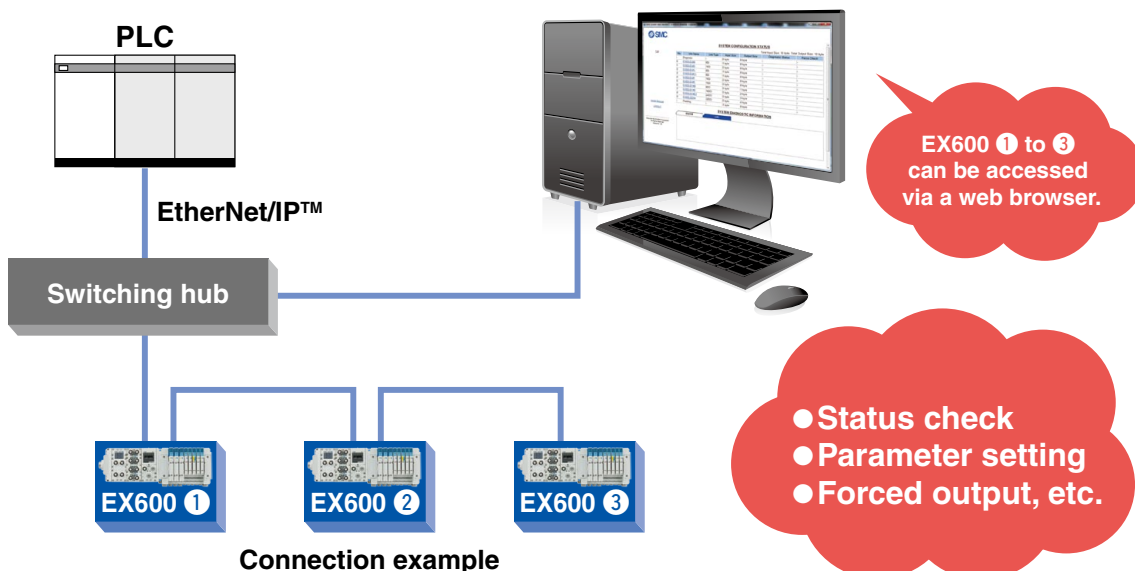
Greatly reduces the communication connection time to the EtherNet/IP™.

* To use the QuickConnect™ function, the PLC should be able to support the QuickConnect™ function.



Built-in Web Server Function

The EX600-SEN3/4 has a built-in web server function, which enables status checks, parameter settings and forced output of the EX600 using general-purpose web browsers, such as Internet Explorer. Start-up of the system and maintenance can be performed efficiently.



Fieldbus System EX600

D-sub Connector

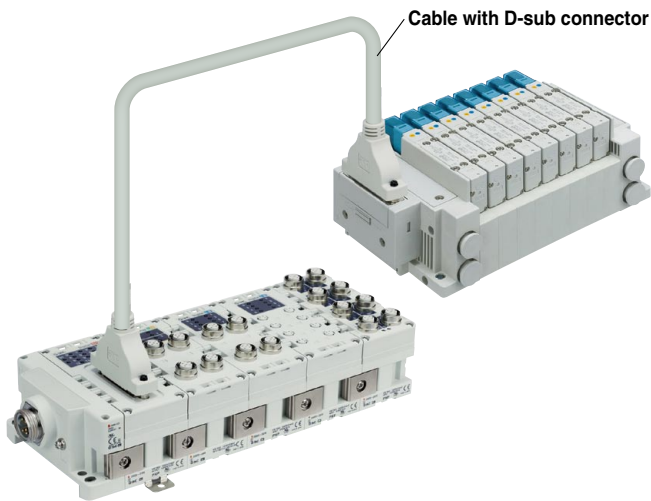
IP40

These Units are capable of connection using a D-sub connector. There are three types of Units, for Digital Input, Output, and Input/Output. The Digital Output Unit can be connected with an SMC manifold solenoid valve F kit (D-sub connector).

Manifold solenoid valve can be connected using cable with D-sub connector.

- Series SY • Series S0700 • Series SJ • Series SQ
- Series SV • Series VQC • Series VQ

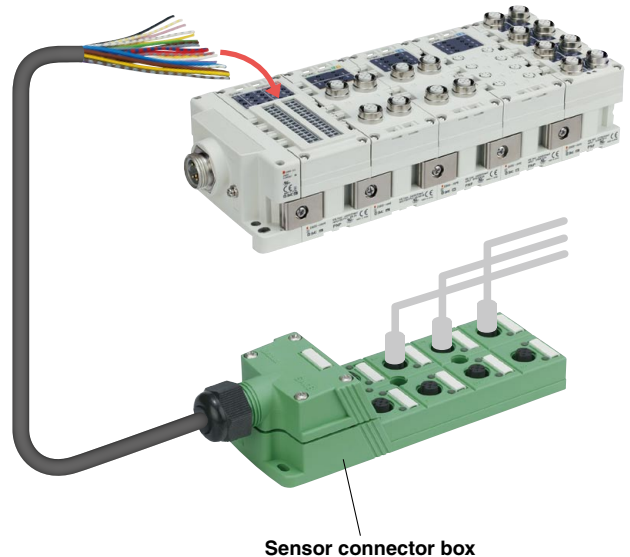
* Please limit the number of valve connections to 16 stations for single and 8 stations for double. Refer to the catalog for each product for pin assignment details.



Spring Type Terminal Block

IP40

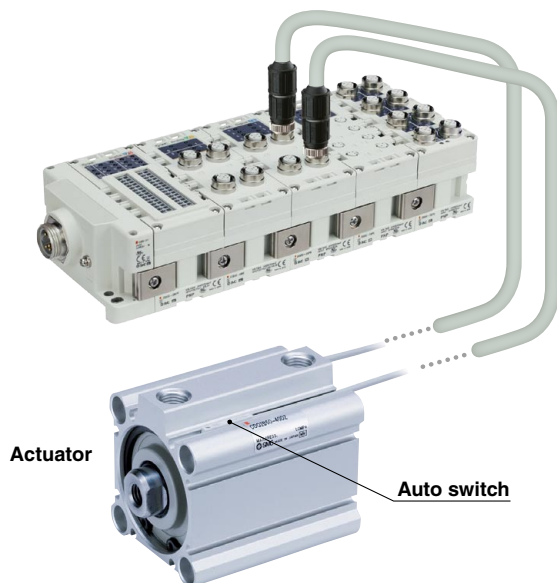
These Terminal Block Units are compatible with individual wiring configurations. There are three types of Units, for Digital Input, Output, and Input/Output. Wiring connection to a sensor connector box, etc., can be carried out easily using only a flat head screwdriver.



Digital Input Unit

IP67

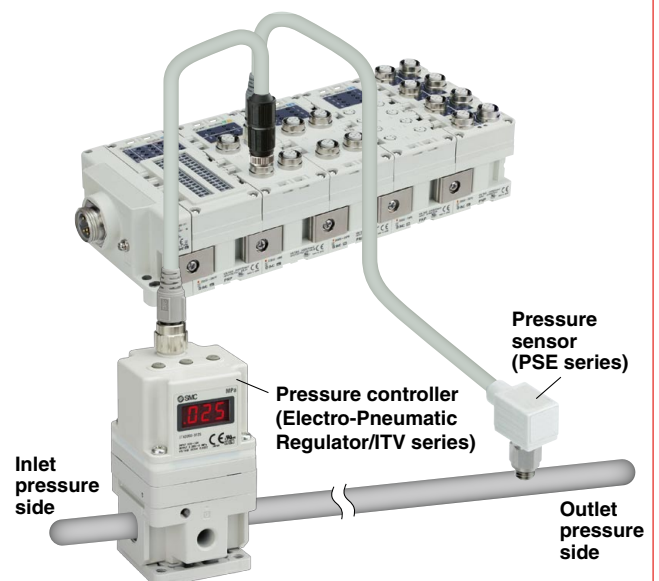
This Unit is for inputting a digital signal (ON/OFF signal). The signal of a 2-wire/3-wire auto switch attached to the actuator can be acquired to feedback a signal to the PLC. The control signal of an entire system can be managed by Fieldbus System.



Analog Input/Output Unit

IP67

These Units are for inputting or outputting an analog signal (voltage/ current). A single Unit performs both input and output, allowing feedback control where analog signals are received from a pressure sensor and sent to a pressure controller. Installation space is minimized as well.



Self Diagnosis Function

In combination with the Handheld Terminal, the following two functions are available.

Short/Open Circuit Detection Function

It is possible to detect short or open circuit of input device such as an electronic 2-wire switch and 3-wire switch and output device such as a solenoid valve. The location of the error can be identified by the indicator light and the network.



Green ON Normal



Red ON Short circuit

Red flashing Open circuit

Counter Function

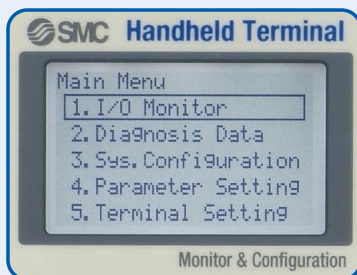
It is possible to ascertain the maintenance period and identify the parts that require maintenance by an input and output signal ON/OFF counter function. When the counter function is enabled and a certain number of contact operations is reached, the display of counter will flash in red.

Note) The counter function is not provided with the Analog Unit.

Handheld Terminal

Forced Input and Output Function

The input and output signals are controlled forcibly without a PLC. The startup time after facility introduction can be shortened.

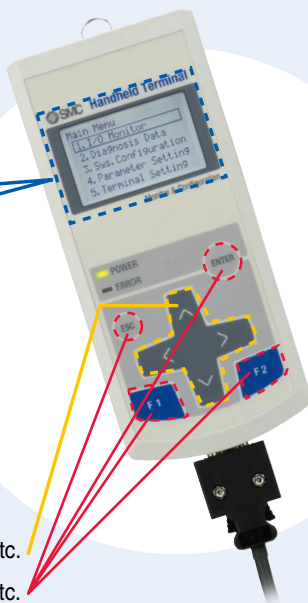


Password Setting Function

Simple Operation

Cursor button: **Mode and setting change** etc.

Function key: **Value and command entry** etc.



Can be used for the adjustment of internal parameters and the monitoring of input and output signal status.

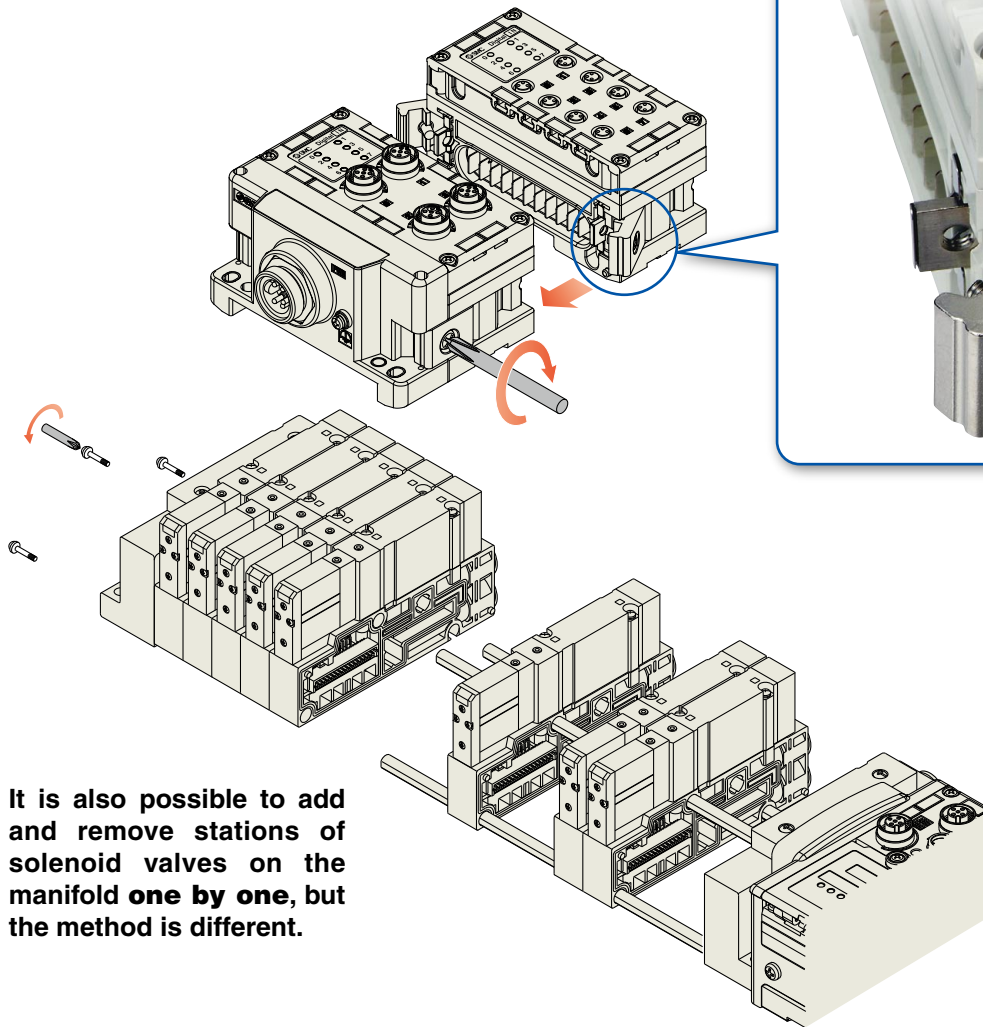
Parameters: **Analog data format**
Analog measurement range
Input filter selection
Counter function
Open circuit detection function, etc.

A parameter is a set value to change the function and operation of the product through a PLC or Handheld Terminal. The desired operation for the customer's application is realized by the set values. There are some parameters that can only be set using the Handheld Terminal of this series.

Fieldbus System EX600

● Individual Units can be connected and removed one by one.

A unique clamping method is adopted to prevent screws from falling out. It is easy to separate the Unit just by loosening joint bracket.



It is also possible to add and remove stations of solenoid valves on the manifold **one by one**, but the method is different.

5 Port Solenoid Valves SY3000/5000/7000

● Different sizes (SY3000/5000 or SY5000/7000) can be mixed!

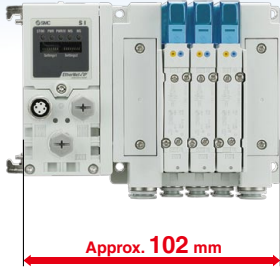
The installation area can be reduced, and the number of SI Units and the wiring can also be reduced.

Overall length of manifold
Approx. 22% reduction

Example of SY3000 and SY5000

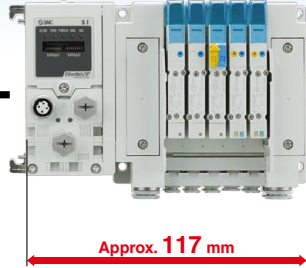
Installation space

Single manifold
SY5000 3 stations



Approx. 102 mm

Single manifold
SY3000 5 stations



Approx. 117 mm

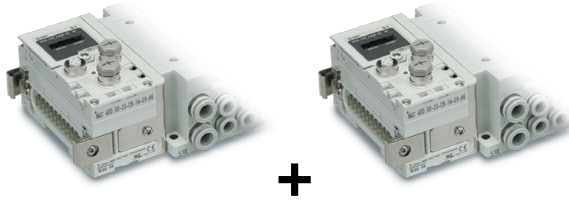
Mixed manifold

SY5000 3 stations SY3000 5 stations



Approx. 170 mm

Number of SI Units, Unit cost



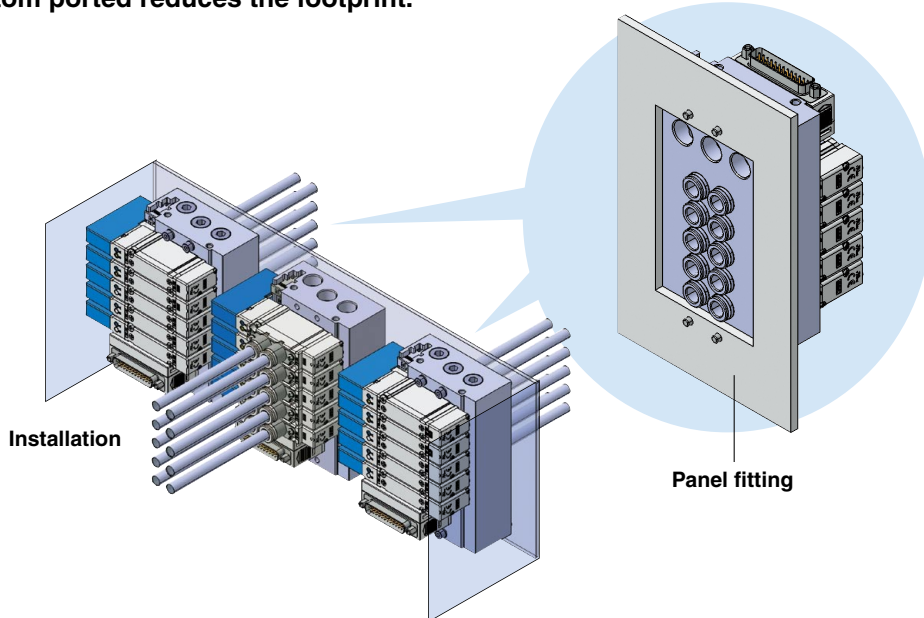
Manifold 2 pcs.
Serial Units 2 sets



Manifold 1 pc.
Serial Unit 1 set

● Bottom ported type is available!

Top or bottom ported reduces the footprint.



Installation

Panel fitting

Series EX600

Series SY

Series SV

Series S0700

Series VQC

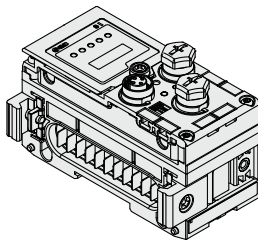
Fieldbus System

Series EX600



How to Order

SI Unit



EX600-S EN 3

Protocol

Symbol	Description
PR	PROFIBUS DP
DN	DeviceNet™
MJ	CC-Link
EN	EtherNet/IP™ Note 1)
EC	EtherCAT® Note 1)
PN	PROFINET Note 1)

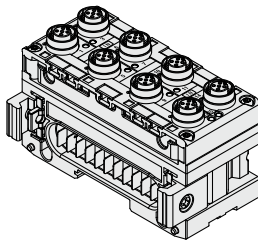
Version

Symbol	Condition
Nil	Select in the case of MJ, EN, EC or PN.
A	Select in the case of PR or DN.

Output type

Symbol	Description	Condition
1	PNP (Negative common)	Can be selected by all protocols.
2	NPN (Positive common)	Can be selected by all protocols.
3	PNP (Negative common) EtherNet/IP (2 ports)	Can be selected in the case of EN.
4	NPN (Positive common) EtherNet/IP (2 ports)	Can be selected in the case of EN.

Digital Input Unit



EX600-DX P D

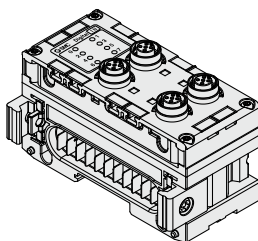
Input type

Symbol	Description
P	PNP
N	NPN

Number of Inputs, Open circuit detection, and Connector

Symbol	Number of inputs	Open circuit detection	Connector
B	8 inputs	No	M12 connector (5 pins) 4 pcs.
C	8 inputs	No	M8 connector (3 pins) 8 pcs.
C1	8 inputs	Yes	M8 connector (3 pins) 8 pcs.
D	16 inputs	No	M12 connector (5 pins) 8 pcs.
E	16 inputs	No	D-sub connector (25 pins) Note 1) 2)
F	16 inputs	No	Spring type terminal block (32 pins) Note 1) 2)

Digital Output Unit



EX600-DY P B

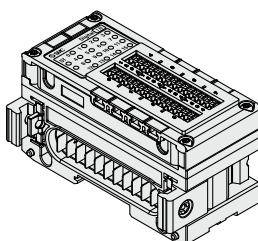
Output type

Symbol	Description
P	PNP
N	NPN

Number of Outputs and Connector

Symbol	Number of outputs	Connector
B	8 outputs	M12 connector (5 pins) 4 pcs.
E	16 outputs	D-sub connector (25 pins) Note 1) 2)
F	16 outputs	Spring type terminal block (32 pins) Note 1) 2)

Digital Input/Output Unit



EX600-DM P F

Input/Output type

Symbol	Description
P	PNP
N	NPN

Number of Inputs/Outputs and Connector

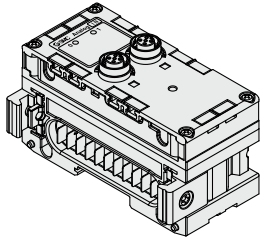
Symbol	Number of inputs	Number of outputs	Connector
E	8 inputs	8 outputs	D-sub connector (25 pins) Note 1) 2)
F	8 inputs	8 outputs	Spring type terminal block (32 pins) Note 1) 2)

Note 1) Cannot be communicated with the EX600-HT1-□. Refer to page 25 for "Table of Mountable Units."

Note 2) Cannot be connected with the EX600-SPR1, EX600-SPR2, EX600-SDN1, or EX600-SDN2. Refer to page 25 for "Table of Mountable Units."

How to Order

Analog Input Unit



EX600-AXA

Analog input

Number of Input channels and Connector

Symbol	Number of input channels	Connector
A	2 channels	M12 connector (5 pins) 2 pcs.

Series EX600

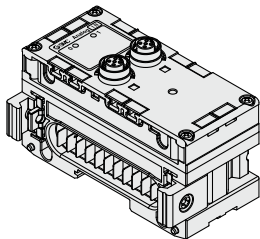
Series SY

Series SV

Series S0700

Series VQC

Analog Output Unit



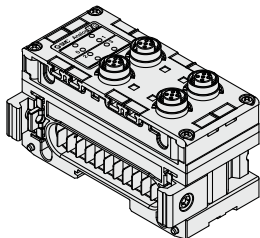
EX600-AYA

Analog output

Number of Output channels and Connector

Symbol	Number of output channels	Connector
A	2 channels	M12 connector (5 pins) 2 pcs. <small>Note1) 2)</small>

Analog Input/Output Unit



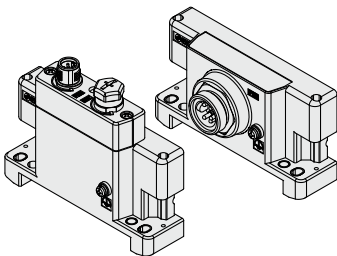
EX600-AMB

Analog input/output

Number of Input/Output channels and Connector

Symbol	Number of input channels	Number of output channels	Connector
B	2 channels	2 channels	M12 connector (5 pins) 4 pcs. <small>Note1) 2)</small>

End Plate



EX600-ED2

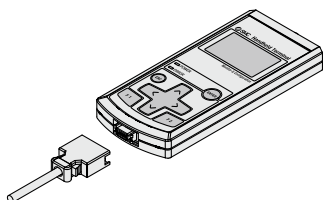
Power connector

Mounting method

Symbol	Connector
2	M12 (5 pins)
3	7/8 inch (5 pins)

Symbol	Description
Nil	Without DIN rail mounting bracket
2	With DIN rail mounting bracket
3	With DIN rail mounting bracket (Specialized for SY series)

Handheld Terminal



EX600-HT1A-3

Version

Cable length

Symbol	Description
Nil	No cable
1	1 m
3	3 m

Handheld Terminals are not yet UL-compatible.

Note 1) Cannot be communicated with the EX600-HT1-□. Refer to page 25 for "Table of Mountable Units."

Note 2) Cannot be connected with the EX600-SPR1, EX600-SPR2, EX600-SDN1, or EX600-SDN2. Refer to page 25 for "Table of Mountable Units."

Series EX600

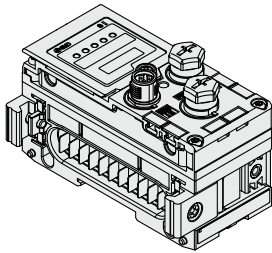
SI Unit Specifications

All Units Common Specifications

Environmental resistance	Operating temperature range	-10 to 50°C
	Storage temperature range	-20 to 60°C
	Operating humidity range	35 to 85% RH (No dew condensation)
	Withstand voltage ^{Note)}	500 VAC for 1 minute between external terminals and FE
	Insulation resistance ^{Note)}	500 VDC, 10 MΩ or more between external terminals and FE

Note) Except Handheld Terminals

SI Unit (EX600-SPR□A)

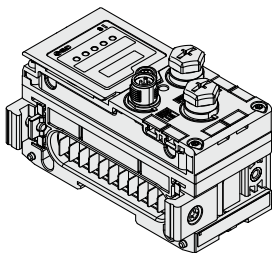


EX600-SPR□A

Model		EX600-SPR1A	EX600-SPR2A
Communication	Protocol	PROFIBUS DP (DP-V0)	
	Device type	PROFIBUS DP Slave	
	Communication speed	9.6/19.2/45.45/93.75/187.5/500 kbps 1.5/3/6/12 Mbps	
	Configuration file	GSD file ^{Note)}	
	Occupation area (Number of inputs/outputs)	Max. (512 inputs/512 outputs)	
Terminating resistor		Internally implemented	
Internal current consumption (Power supply for Control/Input)		80 mA or less	
Output	Output type	Source/PNP (Negative common)	Sink/NPN (Positive common)
	Number of outputs	32 outputs (8/16/24/32 outputs selectable)	
	Load	Solenoid valve with surge voltage suppressor 24 VDC, 1.5 W or less (SMC)	
	Power supply	24 VDC, 2 A	
	Fail safe	HOLD/CLEAR/Forced power ON	
	Protection	Short-circuit protection	
Enclosure		IP67 (Manifold assembly)	
Standards		CE Marking, UL (CSA), RoHS compliant	
Weight		300 g	

Note) The setting file can be downloaded from the SMC website, <http://www.smcworld.com>

SI Unit (EX600-SDN□A)

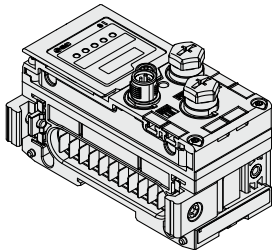


EX600-SDN□A

Model		EX600-SDN1A	EX600-SDN2A
Communication	Protocol	DeviceNet™: Volume 1 (Edition 2.1), Volume 3 (Edition 1.1)	
	Device type	Group 2 Only Server	
	Communication speed	125/250/500 kbps	
	Configuration file	EDS file ^{Note)}	
	Occupation area (Number of inputs/outputs)	Max. (512 inputs/512 outputs)	
Applicable messages		Duplicate MAC ID Check Message Group 2 Only Unconnected Explicit Message Explicit Message (Group 2) Poll I/O Message (Predefined M/S Connection set)	
DeviceNet™ power supply		11 to 25 VDC (Current consumption 50 mA or less)	
Internal current consumption (Power supply for Control/Input)		55 mA or less	
Output	Output type	Source/PNP (Negative common)	Sink/NPN (Positive common)
	Number of outputs	32 outputs (8/16/24/32 outputs selectable)	
	Load	Solenoid valve with surge voltage suppressor 24 VDC, 1.5 W or less (SMC)	
	Power supply	24 VDC, 2 A	
	Fail safe	HOLD/CLEAR/Forced power ON	
	Protection	Short-circuit protection	
Enclosure		IP67 (Manifold assembly)	
Standards		CE Marking, UL (CSA), RoHS compliant	
Weight		300 g	

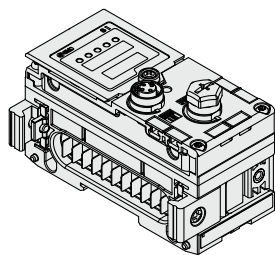
Note) The setting file can be downloaded from the SMC website, <http://www.smcworld.com>

SI Unit (EX600-SMJ□)

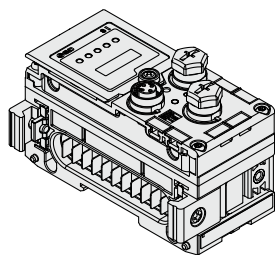


EX600-SMJ□

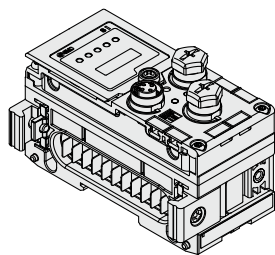
Model		EX600-SMJ1	EX600-SMJ2
Communication	Protocol	CC-Link (Ver. 1.10, Ver. 2.00)	
	Station type	Remote Device Station	
	Communication speed	156/625 kbps 2.5/5/10 Mbps	
	Occupation area (Number of inputs/outputs)	Max. (512 inputs/512 outputs) 1/2/3/4 stations occupied	
	Internal current consumption (Power supply for Control/Input)		75 mA or less
Output	Output type	Source/PNP (Negative common)	Sink/NPN (Positive common)
	Number of outputs	32 outputs (8/16/24/32 outputs selectable)	
	Load	Solenoid valve with surge voltage suppressor 24 VDC, 1.5 W or less (SMC)	
	Power supply	24 VDC, 2 A	
	Fail safe	HOLD/CLEAR/Forced power ON	
	Protection	Short-circuit protection	
Enclosure		IP67 (Manifold assembly)	
Standards		CE Marking, UL (CSA), RoHS compliant	
Weight		300 g	



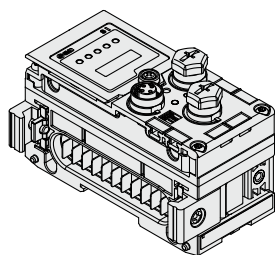
EX600-SEN1/2



EX600-SEN3/4



EX600-SEC□



EX600-SPN□

SI Unit (EX600-SEN□)

Model		EX600-SEN1	EX600-SEN2	EX600-SEN3	EX600-SEN4
Communication	Number of communication ports	1 port		2 ports	
	Protocol	EtherNet/IP™ (Conformance version: Composite 6)		EtherNet/IP™ (Conformance version: Composite 11)	
	Communication speed	10/100 Mbps			
	Communication method	Full duplex/Half duplex			
	Configuration file	EDS file <small>Note</small>			
	Occupation area (Number of inputs/outputs)	Max. (512 inputs/512 outputs)			
	IP address setting range	SI Unit switch settings: 192.168.0 or 1.1 to 254 Through DHCP server: Optional address			
	Device information	Vendor ID: 7 (SMC Corporation) Device type: 12 (Communication Adapter) Product code: 126		Vendor ID: 7 (SMC Corporation) Device type: 12 (Communication Adapter) Product code: 203	
	QuickConnect™	—		Compliant	
	DLR	—		Compliant	
WEB server	—		Compliant		
Internal current consumption		120 mA or less			
Output	Output type	Source/PNP (Negative common)	Sink/NPN (Positive common)	Source/PNP (Negative common)	Sink/NPN (Positive common)
	Number of outputs	32 outputs (8/16/24/32 outputs selectable)		32 outputs	
	Load	Solenoid valve with surge voltage suppressor 24 VDC, 1.5 W or less (SMC)		Solenoid valve with surge voltage suppressor 24 VDC, 1.0 W or less (SMC)	
	Power supply	24 VDC, 2 A			
	Fail safe	HOLD/CLEAR/Forced power ON			
	Protection	Short-circuit protection			
Enclosure		IP67 (Manifold assembly)			
Standards		CE Marking, UL (CSA), RoHS compliant			
Weight		300 g			

Note) The setting file can be downloaded from the SMC website, <http://www.smcworld.com>

SI Unit (EX600-SEC□)

Model		EX600-SEC1	EX600-SEC2
Communication	Protocol	EtherCAT® (Conformance Test Record V.1.2)	
	Communication speed	100 Mbps	
	Configuration file	XML file <small>Note</small>	
	Occupation area (Number of inputs/outputs)	Max. (512 inputs/512 outputs)	
Internal current consumption (Power supply for Control/Input)		100 mA or less	
Output	Output type	Source/PNP (Negative common)	Sink/NPN (Positive common)
	Number of outputs	32 outputs (8/16/24/32 outputs selectable)	
	Load	Solenoid valve with surge voltage suppressor 24 VDC, 1.5 W or less (SMC)	
	Power supply	24 VDC, 2 A	
	Fail safe	HOLD/CLEAR/Forced power ON	
	Protection	Short-circuit protection	
Enclosure		IP67 (Manifold assembly)	
Standards		CE Marking, UL (CSA), RoHS compliant	
Weight		300 g	

Note) The setting file can be downloaded from the SMC website, <http://www.smcworld.com>

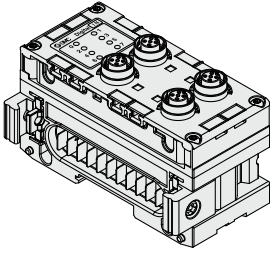
SI Unit (EX600-SPN□)

Model		EX600-SPN1	EX600-SPN2
Communication	Protocol	PROFINET IO (PROFINET RT)	
	Communication speed	100 Mbps	
	Configuration file	GSDML file <small>Note</small>	
	Occupation area (Number of inputs/outputs)	Max. (512 inputs/512 outputs)	
Internal current consumption (Power supply for Control/Input)		120 mA or less	
Output	Output type	Source/PNP (Negative common)	Sink/NPN (Positive common)
	Number of outputs	32 outputs	
	Load	Solenoid valve with surge voltage suppressor 24 VDC, 1.0 W or less (SMC)	
	Power supply	24 VDC, 2 A	
	Fail safe	HOLD/CLEAR/Forced power ON	
	Protection	Short-circuit protection	
Enclosure		IP67 (Manifold assembly)	
Standards		CE Marking, UL (CSA), RoHS compliant	
Weight		300 g	

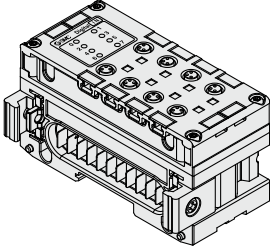
Note) The setting file can be downloaded from the SMC website, <http://www.smcworld.com>

Series EX600

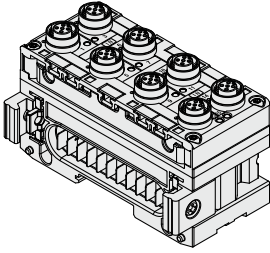
Digital Unit Specifications



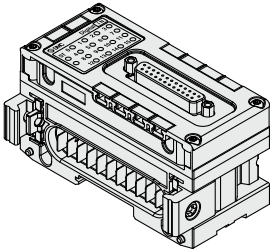
EX600-DX□B



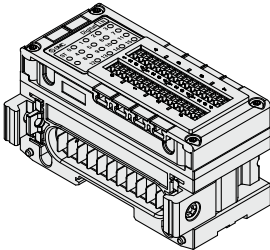
EX600-DX□C



EX600-DX□D



EX600-DX□E



EX600-DX□F

Digital Input Unit

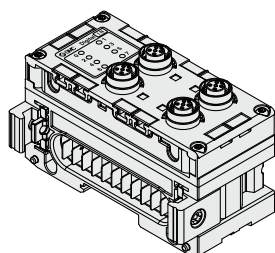
Model		EX600-DXPB	EX600-DXNB	EX600-DXPC□	EX600-DXNC□	EX600-DXPD	EX600-DXND
Input	Input type	PNP	NPN	PNP	NPN	PNP	NPN
	Input connector	M12 (5-pin) socket ^{Note 1)}		M8 (3-pin) socket ^{Note 3)}		M12 (5-pin) socket ^{Note 1)}	
	Number of inputs	8 inputs (2 inputs/Connector)		8 inputs (1 input/Connector)		16 inputs (2 inputs/Connector)	
	Supplied voltage	24 VDC					
	Max. supplied current	0.5 A/Connector 2 A/Unit		0.25 A/Connector 2 A/Unit		0.5 A/Connector 2 A/Unit	
	Protection	Short-circuit protection					
	Input current (at 24 VDC)	9 mA or less					
	ON voltage	17 V or more (At NPN input, between the pin for input terminal and supplied voltage of +24 V) (At PNP input, between the pin for input terminal and supplied voltage of 0 V)					
	OFF voltage	5 V or less (At NPN input, between the pin for input terminal and supplied voltage of +24 V) (At PNP input, between the pin for input terminal and supplied voltage of 0 V)					
	Open circuit detection current	2 wires	—		0.5 mA/Input ^{Note 2)}		—
3 wires		—		0.5 mA/Connector ^{Note 2)}		—	
Current consumption	50 mA or less		55 mA or less		70 mA or less		
Enclosure	IP67 (Manifold assembly)						
Standards	CE Marking, UL (CSA), RoHS compliant						
Weight	300 g		275 g		340 g		

Note 1) M12 (4-pin) connector can be connected.

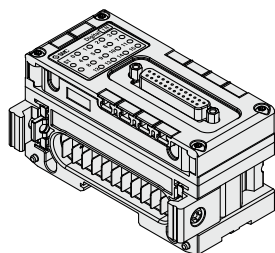
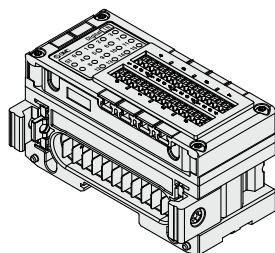
Note 2) Function only applies to the EX600-DX□C1.

Note 3) When connecting the M8 plug connector, the tightening torque must be 0.2 N·m ±10%. If tightened with an excessive tightening torque, this may cause the connector thread of the Unit to break.

Model		EX600-DXPE	EX600-DXNE	EX600-DXPF	EX600-DXNF	
Input	Input type	PNP	NPN	PNP	NPN	
	Input connector	D-sub socket (25 pins) Lock screw: No.4-40 UNC		Spring type terminal block (32 pins)		
	Number of inputs	16 inputs		16 inputs (2 inputs x 8 blocks)		
	Supplied voltage	24 VDC				
	Max. supplied current	2 A/Unit		0.5 A/Block 2 A/Unit		
	Protection	Short-circuit protection				
	Input current (at 24 VDC)	5 mA or less				
	ON voltage	17 V or more (At NPN input, between the pin for input terminal and supplied voltage of +24 V) (At PNP input, between the pin for input terminal and supplied voltage of 0 V)				
	OFF voltage	5 V or less (At NPN input, between the pin for input terminal and supplied voltage of +24 V) (At PNP input, between the pin for input terminal and supplied voltage of 0 V)				
	Applicable wire	—		0.08 to 1.5 mm ² (AWG16 to 28)		
Current consumption	50 mA or less		55 mA or less			
Enclosure	IP40 (Manifold assembly)					
Standards	CE Marking, UL (CSA), RoHS compliant					
Weight	300 g					



EX600-DY□B


 EX600-DY□E
EX600-DM□E

 EX600-DY□F
EX600-DM□F

Digital Output Unit

Model	EX600-DYPB	EX600-DYNB	EX600-DYPE	EX600-DYNE	EX600-DYPF	EX600-DYNF
Output type	PNP	NPN	PNP	NPN	PNP	NPN
Output connector	M12 (5-pin) socket <small>Note</small>		D-sub socket (25 pins) Lock screw: No.4-40 UNC		Spring type terminal block (32 pins)	
Number of outputs	8 outputs (2 outputs/Connector)		16 outputs		16 outputs (2 outputs x 8 blocks)	
Supplied voltage	24 VDC					
Max. load current	0.5 A/Output 2 A/Unit					
Protection	Short-circuit protection					
Applicable wire	—		—		0.08 to 1.5 mm ² (AWG16 to 28)	
Current consumption	50 mA or less					
Enclosure	IP67 (Manifold assembly)			IP40 (Manifold assembly)		
Standards	CE Marking, UL (CSA), RoHS compliant					
Weight	300 g					

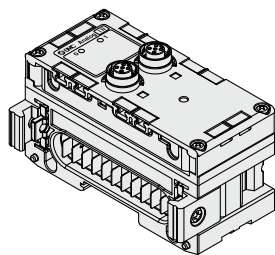
Note) M12 (4-pin) connector can be connected.

Digital Input/Output Unit

Model	EX600-DMPE	EX600-DMNE	EX600-DMPF	EX600-DMNF
Input/Output type	PNP	NPN	PNP	NPN
Connector	D-sub socket (25 pins) Lock screw: No.4-40 UNC		Spring type terminal block (32 pins)	
Number of inputs	8 inputs		8 inputs (2 inputs x 4 blocks)	
Supplied voltage	24 VDC			
Max. supplied current	2 A/Unit		0.5 A/Block 2 A/Unit	
Protection	Short-circuit protection			
Input current (at 24 VDC)	5 mA or less			
ON voltage	17 V or more (At NPN input, between the pin for input terminal and supplied voltage of +24 V) (At PNP input, between the pin for input terminal and supplied voltage of 0 V)			
OFF voltage	5 V or less (At NPN input, between the pin for input terminal and supplied voltage of +24 V) (At PNP input, between the pin for input terminal and supplied voltage of 0 V)			
Number of outputs	8 outputs		8 outputs (2 outputs x 4 blocks)	
Supplied voltage	24 VDC			
Max. load current	0.5 A/Output 2 A/Unit			
Protection	Short-circuit protection			
Applicable wire	—		0.08 to 1.5 mm ² (AWG16 to 28)	
Current consumption	50 mA or less		60 mA or less	
Enclosure	IP40 (Manifold assembly)			
Standards	CE Marking, UL (CSA), RoHS compliant			
Weight	300 g			

Series EX600

Analog Unit Specifications



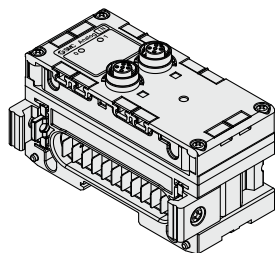
EX600-AXA

Analog Input Unit

Model		EX600-AXA		
Input	Input type	Voltage input	Current input	
	Input connector	M12 (5-pin) socket ^{Note 1)}		
	Input channel	2 channels (1 channel/Connector)		
	Supplied voltage	24 VDC		
	Max. supplied current	0.5 A/Connector		
	Protection	Short-circuit protection		
	Input signal range	12 bit resolution	0 to 10 V, 1 to 5 V, 0 to 5 V	0 to 20 mA, 4 to 20 mA
		16 bit resolution	-10 to 10 V, -5 to 5 V	-20 to 20 mA
	Max. rated input signal	±15 V	±22 mA ^{Note 2)}	
	Input impedance	100 kΩ	50 Ω	
	Linearity (25°C)	±0.05% F.S.		
	Repeatability (25°C)	±0.15% F.S.		
	Absolute accuracy (25°C)	±0.5% F.S.	±0.6% F.S.	
	Current consumption	70 mA or less		
Enclosure	IP67 (Manifold assembly)			
Standards	CE Marking, UL (CSA), RoHS compliant			
Weight	290 g			

Note 1) M12 (4-pin) connector can be connected.

Note 2) When input signal exceeds 22 mA, the protection function activates and the input signal is interrupted.

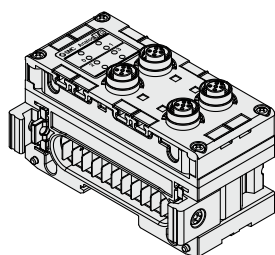


EX600-AYA

Analog Output Unit

Model		EX600-AYA		
Output	Output type	Voltage output	Current output	
	Output connector	M12 (5-pin) socket ^{Note)}		
	Output channel	2 channels (1 channel/Connector)		
	Supplied voltage	24 VDC		
	Max. load current	0.5 A/Connector		
	Protection	Short-circuit protection		
	Output signal range	12 bit resolution	0 to 10 V, 1 to 5 V, 0 to 5 V	0 to 20 mA, 4 to 20 mA
		16 bit resolution	-10 to 10 V, -5 to 5 V	-20 to 20 mA
	Load impedance	1 kΩ or more	600 Ω or less	
	Linearity (25°C)	±0.05% F.S.		
	Repeatability (25°C)	±0.15% F.S.		
	Absolute accuracy (25°C)	±0.5% F.S.	±0.6% F.S.	
	Current consumption	70 mA or less		
	Enclosure	IP67 (Manifold assembly)		
Standards	CE Marking, UL (CSA), RoHS compliant			
Weight	290 g			

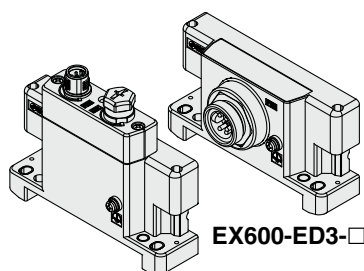
Note) M12 (4-pin) connector can be connected.


EX600-AMB
Analog Input/Output Unit

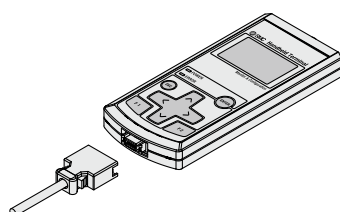
Model		EX600-AMB		
Input	Input type	Voltage input	Current input	
	Input connector	M12 (5-pin) socket ^{Note 1)}		
	Input channel	2 channels (1 channel/Connector)		
	Supplied voltage	24 VDC		
	Max. supplied current	0.5 A/Connector		
	Protection	Short-circuit protection		
	Input signal range	12 bit resolution 0 to 10 V, 1 to 5 V, 0 to 5 V	0 to 20 mA, 4 to 20 mA	
	Max. rated input signal	15 V	22 mA ^{Note 2)}	
	Input impedance	100 kΩ	250 Ω	
	Linearity (25°C)	±0.05% F.S.		
	Repeatability (25°C)	±0.15% F.S.		
	Absolute accuracy (25°C)	±0.5% F.S.	±0.6% F.S.	
	Output	Output type	Voltage output	Current output
		Output connector	M12 (5-pin) socket ^{Note 1)}	
Output channel		2 channels (1 channel/Connector)		
Supplied voltage		24 VDC		
Max. load current		0.5 A/Connector		
Protection		Short-circuit protection		
Output signal range		12 bit resolution 0 to 10 V, 1 to 5 V, 0 to 5 V	0 to 20 mA, 4 to 20 mA	
Load impedance		1 kΩ or more	600 Ω or less	
Linearity (25°C)		±0.05% F.S.		
Repeatability (25°C)		±0.15% F.S.		
Absolute accuracy (25°C)	±0.5% F.S.	±0.6% F.S.		
Current consumption	100 mA or less			
Enclosure	IP67 (Manifold assembly)			
Standards	CE Marking, UL (CSA), RoHS compliant			
Weight	300 g			

Note 1) M12 (4-pin) connector can be connected.

Note 2) When input signal exceeds 22 mA, the protection function activates and the input signal is interrupted.


EX600-ED2-□
EX600-ED3-□
End Plate

Model		EX600-ED2-□	EX600-ED3-□
Power specifications	Power connector	M12 (5-pin) plug	7/8 inch (5-pin) plug
	Power supply (for Control/Input)	24 VDC ±10%, Class 2, 2 A	24 VDC ±10%, 8 A
	Power supply (for Output)	24 VDC +10/-5%, Class 2, 2 A	24 VDC +10/-5%, 8 A
Enclosure	IP67 (Manifold assembly)		
Standards	CE Marking, UL (CSA), RoHS compliant		
Weight	170 g	175 g	

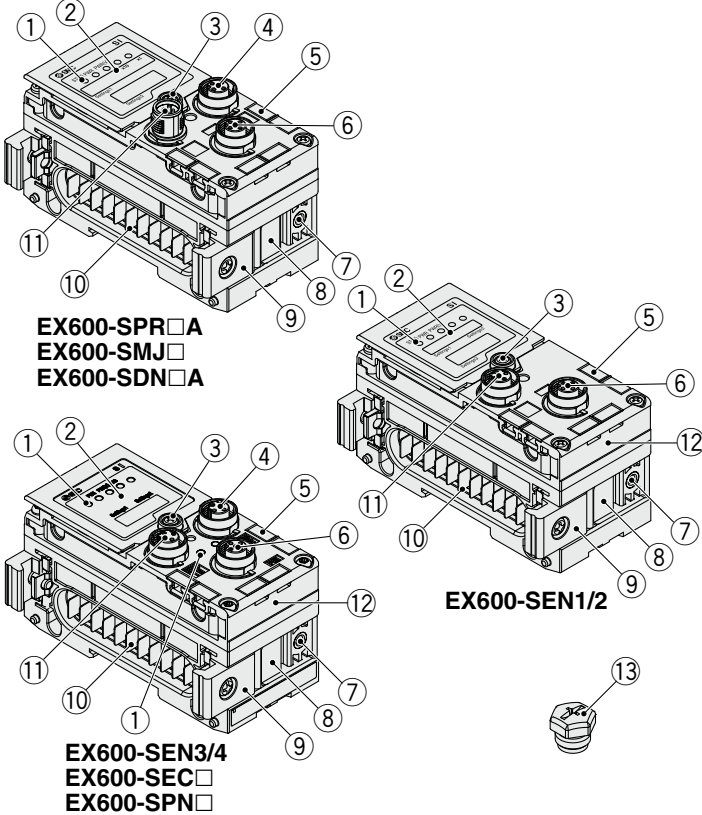

EX600-HT1A-□
Handheld Terminal

Model	EX600-HT1A-□
Power supply	Power supplied from SI Unit connector (24 VDC)
Current consumption	50 mA or less
Display	LCD with backlight
Connection cable	Handheld Terminal cable (1 m ... EX600-AC010-1, 3 m ... EX600-AC030-1)
Enclosure	IP20
Standards	CE Marking, RoHS compliant
Weight	160 g

Series EX600

Parts Description

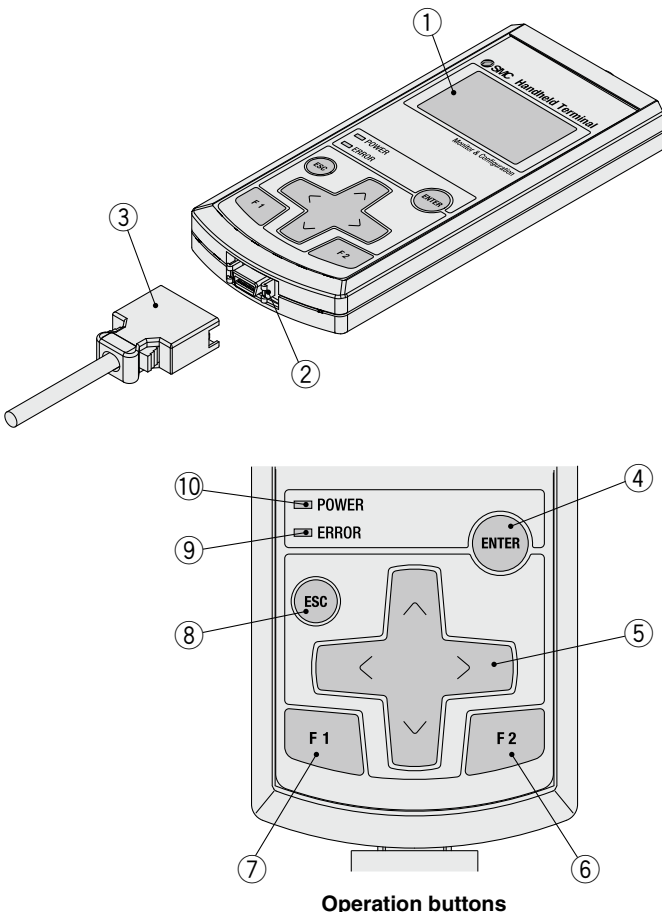
SI Unit



No.	Name	Use
1	Status indication LED	Displays Unit status.
2	Indication cover	Open for setting the switch.
3	Indication cover set screw	Loosen for opening the indication cover.
4	Connector (BUS OUT)	Connects to the fieldbus output cable.
5	Marker groove	Can be used to mount a marker.
6	Connector (PCI)	Connects to the Handheld Terminal cable.
7	Valve plate mounting holes	Fixes a valve plate in place.
8	Valve plate mounting groove	Inserts a valve plate.
9	Joint bracket	Links Units to one another.
10	Connector for Unit (Plug)	Transmits signals to the neighboring Unit and supplies power.
11	Connector (BUS IN)	Connects to the cable for fieldbus input.
12	MAC address name plate ^{Note)}	Displays a unique 12-digit MAC address for each SI Unit.
13	Seal cap	Mounted on the connectors (BUS OUT and PCI) at the time of shipment.

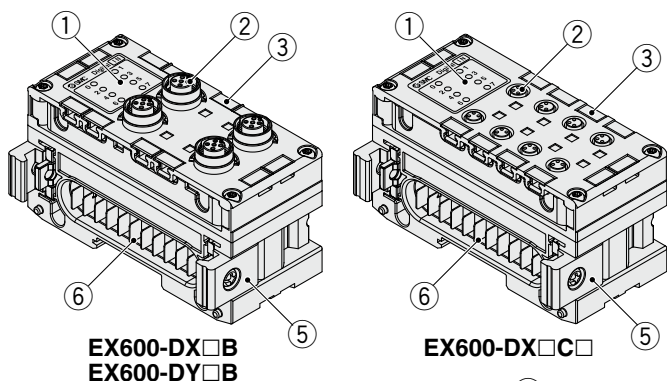
Note) MAC address name plate is not provided on the EX600-SEC□.

Handheld Terminal

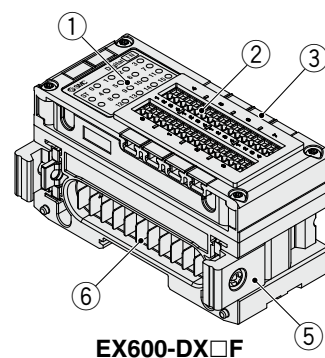
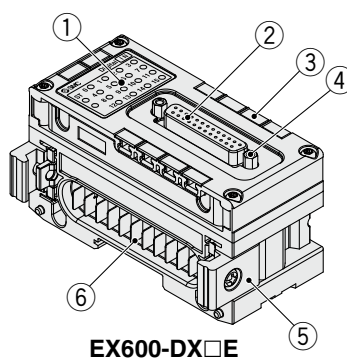
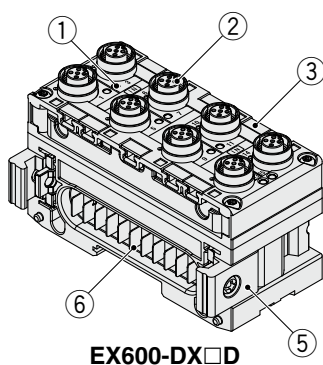


No.	Name	Use
1	LCD	Displays operation and Unit information.
2	Connector	Connects to the Handheld Terminal cable.
3	Handheld Terminal cable	Connects the SI Unit to the Handheld Terminal.
4	Enter button (ENTER)	From the selection screen, goes to the screen for the item selected. On the settings screen, registers the settings that have been made so far.
5	Cursor button (↑ ↓ ← →)	Moves the cursor on the LCD up, down, left or right. Moves the cursor on the selection screen up, down, left or right to make selections. On the settings screen, increases or decreases the value of settings or turns settings on and off.
6	F2 button (F2)	Functions in accordance with on-screen display or instructions.
7	F1 button (F1)	Functions in accordance with on-screen display or instructions.
8	Escape button (ESC)	On the selection screen, goes back to the previous screen. On the settings screen, cancels the settings that have been made so far and goes back to the previous screen.
9	ERROR LED	Lights up red when the EX600 diagnosis errors occur.
10	POWER LED	Connects to the EX600 SI Unit, and lights up green when control/input power supply is on.

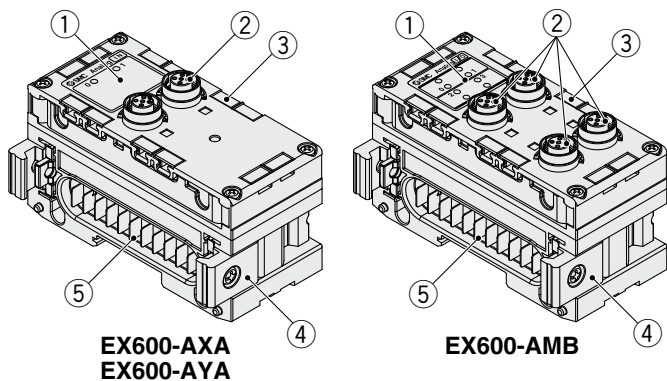
Digital Unit



No.	Name	Use
1	Status indication LED	Displays Unit status.
2	Connector	Connects with input or output devices.
3	Marker groove	Can be used to mount a marker.
4	Lock screw	Fixes the D-sub connector in place. (No.4-40 UNC)
5	Joint bracket	Links Units to one another.
6	Connector for Unit (Plug)	Transmits signals to the neighboring Unit and supplies power.

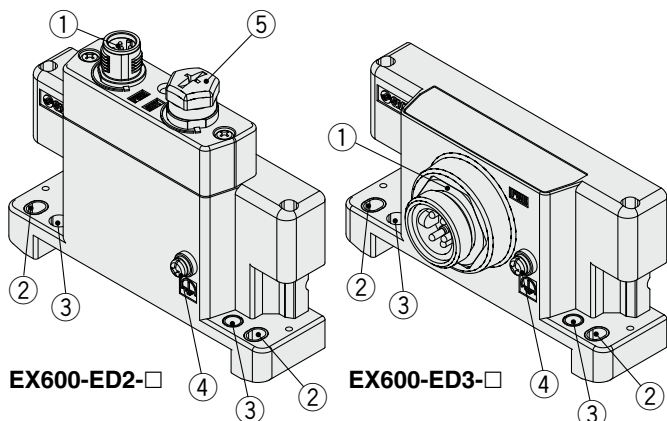


Analog Unit



No.	Name	Use
1	Status indication LED	Displays Unit status.
2	Connector	Connects with input or output devices.
3	Marker groove	Can be used to mount a marker.
4	Joint bracket	Links Units to one another.
5	Connector for Unit (Plug)	Transmits signals to the neighboring Unit and supplies power.

End Plate



No.	Name	Use
1	Power connector	Supplies power to the Unit and/or input/output devices.
2	Fixing hole for direct mounting	Connects directly to equipment.
3	Fixing hole for DIN rail	Converts to manifold or for DIN rail mounting.
4	FE terminal	Used for grounding. Ground this terminal securely to improve the noise immunity.
5	Connector (Unused)	This connector has not yet been used. Do not remove the seal cap.

Series EX600

Series SY

Series SV

Series S0700

Series VQC

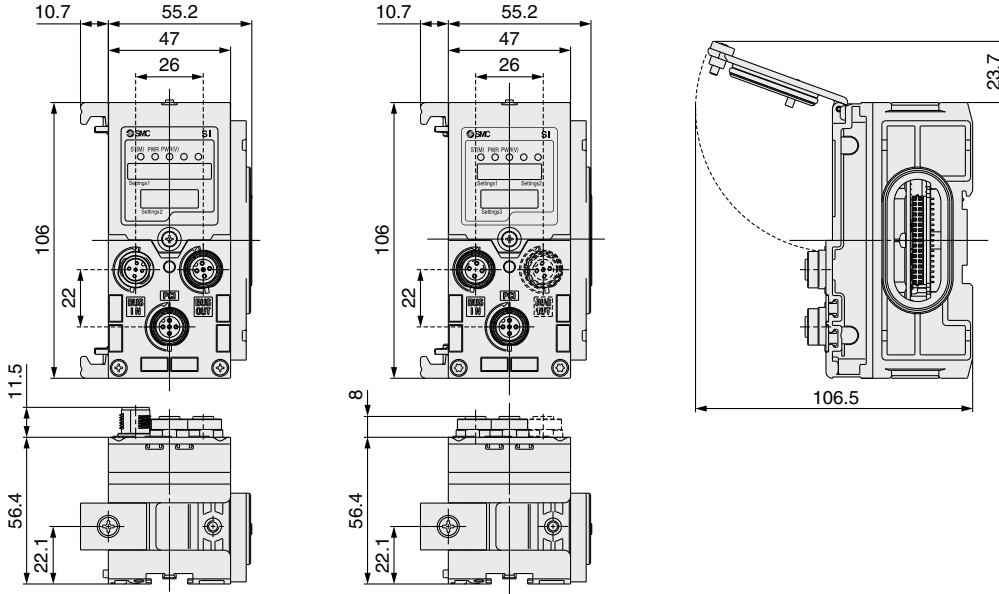
Series EX600

Dimensions

SI Unit

EX600-SPR□A
EX600-SDN□A
EX600-SMJ□

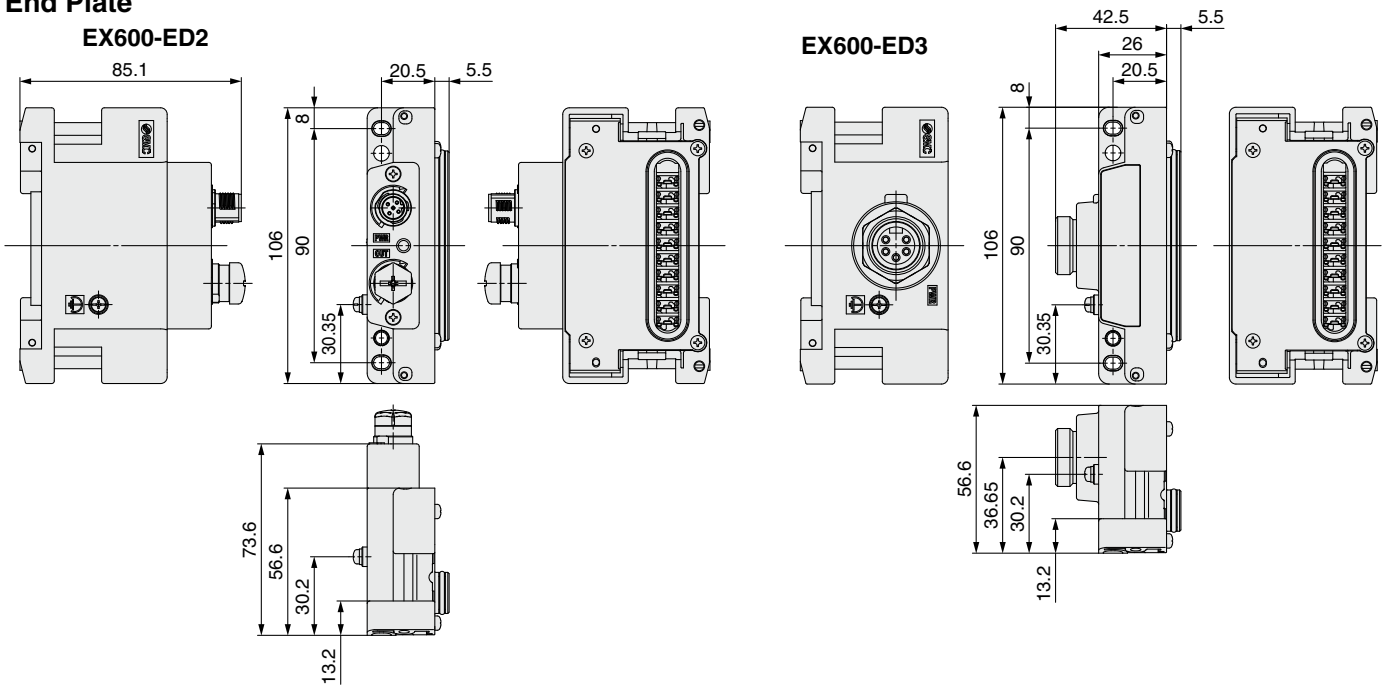
EX600-SEN□
EX600-SEC□
EX600-SPN□



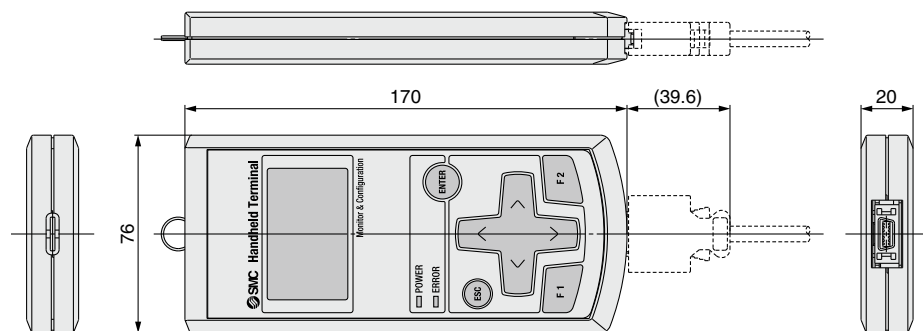
End Plate

EX600-ED2

EX600-ED3

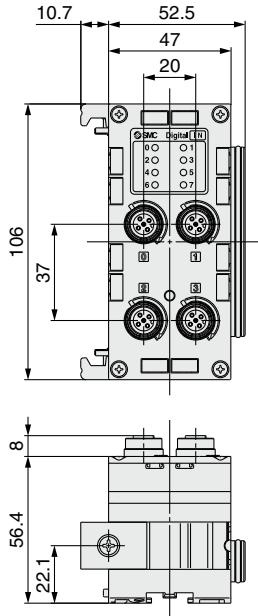


Handheld Terminal

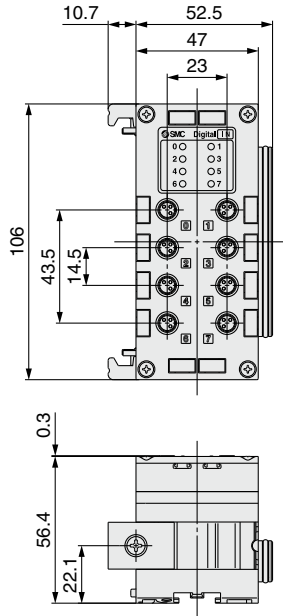


Digital Unit

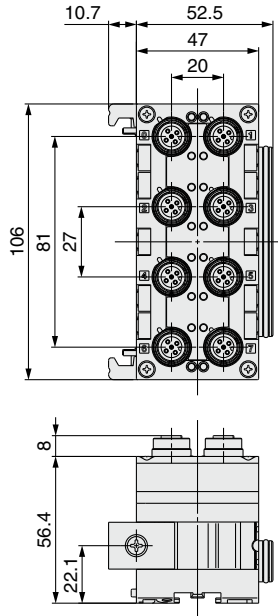
EX600-DX□B
EX600-DY□B



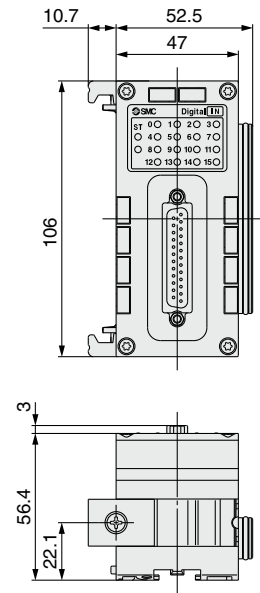
EX600-DX□C□



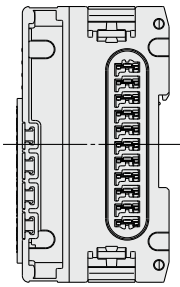
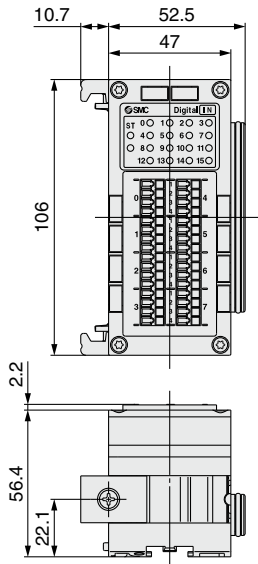
EX600-DX□D



EX600-DX□E
EX600-DY□E
EX600-DM□E

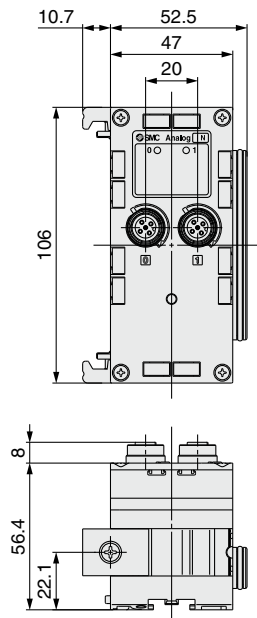


EX600-DX□F
EX600-DY□F
EX600-DM□F

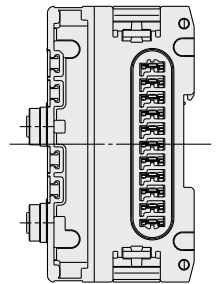
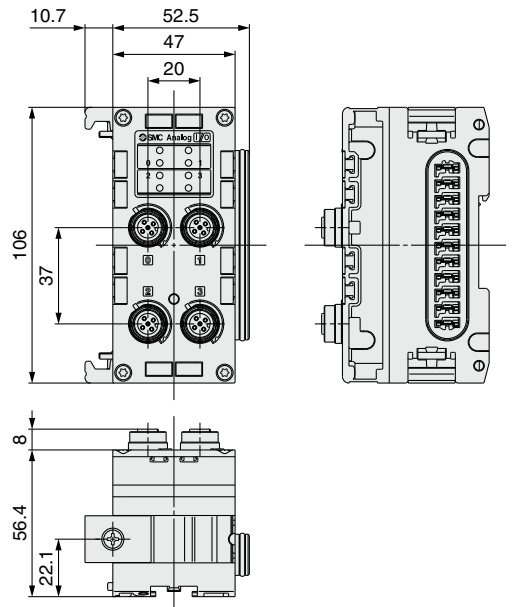


Analog Unit

EX600-AXA
EX600-AYA



EX600-AMB



Series EX600

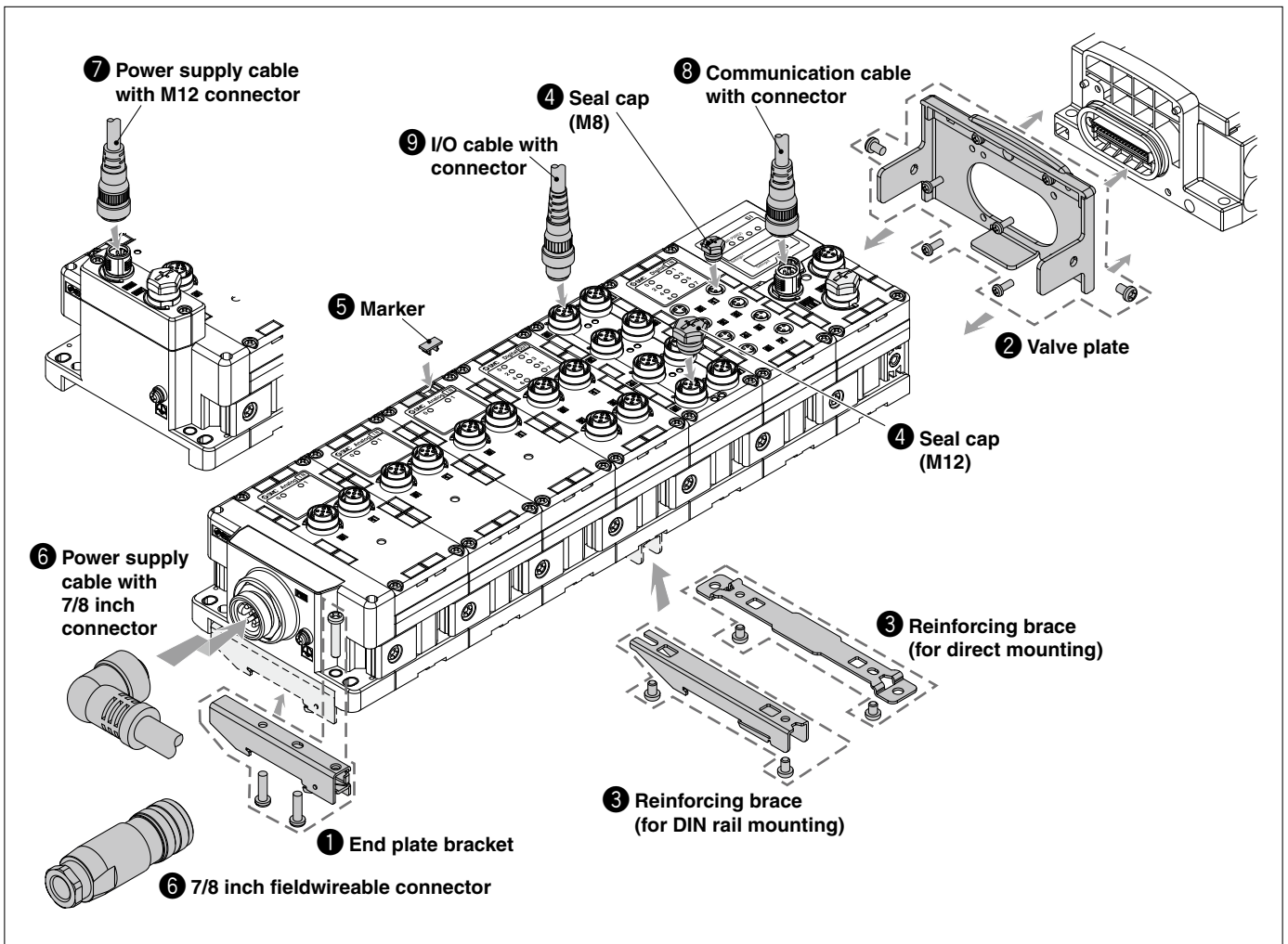
Series SY

Series SV

Series S0700

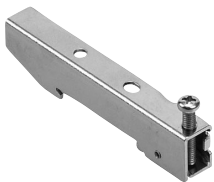
Series VQC

Series EX600 Accessories



1 End Plate Bracket

This bracket is used for the end plate of DIN rail mounting.



EX600-ZMA2

Enclosed parts

Round head screw (M4 x 20) 1 pc.
P-tight screw (4 x 14) 2 pcs.

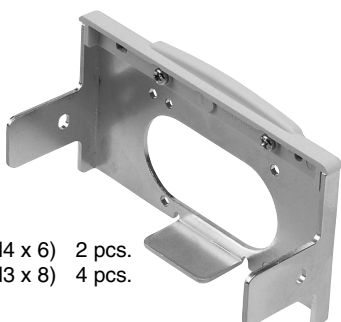
**EX600-ZMA3
(Specialized for SY series)**

Enclosed parts

Round head screw with washer (M4 x 20) 1 pc.
P-tight screw (4 x 14) 2 pcs.

2 Valve Plate

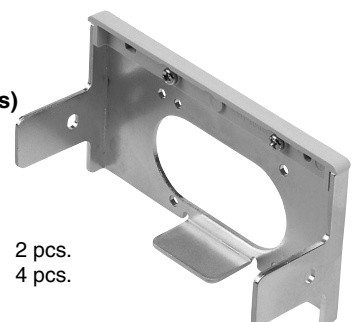
EX600-ZMV1



Enclosed parts

Round head screw (M4 x 6) 2 pcs.
Round head screw (M3 x 8) 4 pcs.

**EX600-ZMV2
(Specialized for SY series)**



Enclosed parts

Round head screw (M4 x 6) 2 pcs.
Round head screw (M3 x 8) 4 pcs.

③ Reinforcing Brace

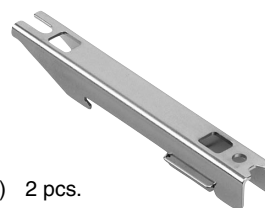
This bracket is used on the bottom of the Unit at the intermediate position for connecting 6 Units or more.
 (Note) Be sure to attach this bracket to prevent connection failure between the Units caused by deflection.

For direct mounting
EX600-ZMB1



Enclosed parts
 Round head screw (M4 x 5) 2 pcs.

For DIN rail mounting
EX600-ZMB2



Enclosed parts
 Round head screw (M4 x 6) 2 pcs.

④ Seal Cap (10 pcs.)

Be sure to mount a seal cap on any unused I/O connectors. Otherwise, the specified enclosure cannot be maintained.

EX9-AWES
 For M8



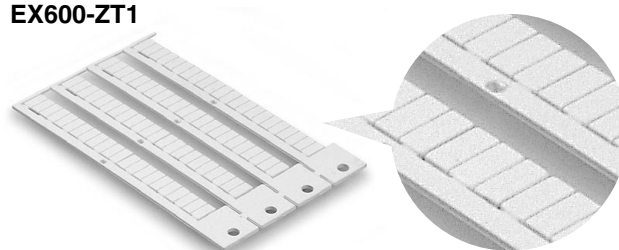
EX9-AWTS
 For M12



⑤ Marker (1 sheet, 88 pcs.)

The signal name of I/O device and each Unit address can be entered and mounted on each Unit.

EX600-ZT1



⑥ 7/8 Inch Connector and Its Related Parts

• **Power supply cable with 7/8 inch connector**

- PCA-1558810 Straight 2 m
- PCA-1558823 Straight 6 m
- PCA-1558836 Right angle 2 m
- PCA-1558849 Right angle 6 m



• **Fieldwireable 7/8 inch connector [compatible to AWG22-16]**

- PCA-1578078 Plug
- PCA-1578081 Socket



⑦ Power Supply Cable with M12 Connector (5-pin B-coded)

- PCA-1564927 Straight 2 m
- PCA-1564930 Straight 6 m
- PCA-1564943 Right angle 2 m
- PCA-1564969 Right angle 6 m



SPEEDCON

(Note) For M12 connector, description of B-coded for a reverse type is used as a connector shape.

Series EX600

Series SY

Series SV

Series S0700

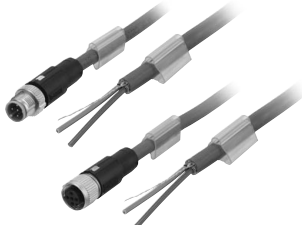

Series VQC

Series EX600

⑧ Communication Cable with Connector/Communication Connector

For SI Unit compatible with CC-Link, DeviceNet™ and PROFIBUS DP

For details, refer to the M8/M12 connector catalog available on SMC website.

Name	Use	Part no.	Description
Cable with connector SPEEDCON	For Fieldbus communication 	PCA-1567720	Communication cable for CC-Link (Socket)
		PCA-1567717	Communication cable for CC-Link (Plug)
		PCA-1557633	Communication cable for DeviceNet™ (Socket)
		PCA-1557646	Communication cable for DeviceNet™ (Plug)
		PCA-1557688	Communication cable for PROFIBUS DP (Socket/B-coded)
		PCA-1557691	Communication cable for PROFIBUS DP (Plug/B-coded)
Fieldwireable connector	For Fieldbus communication 	PCA-1557617	Fieldwireable connector for CC-Link (Plug/Spring-caged)
		PCA-1557620	Fieldwireable connector for CC-Link (Socket/Spring-caged)
		PCA-1557659	Fieldwireable connector for DeviceNet™ (Plug/Spring-caged)
		PCA-1557662	Fieldwireable connector for DeviceNet™ (Socket/Spring-caged)
		PCA-1557701	Fieldwireable connector for PROFIBUS DP (Plug/B-coded/Spring-caged)
		PCA-1557714	Fieldwireable connector for PROFIBUS DP (Socket/B-coded/Spring-caged)

For SI Unit compatible with EtherNet/IP™, EtherCAT® and PROFINET

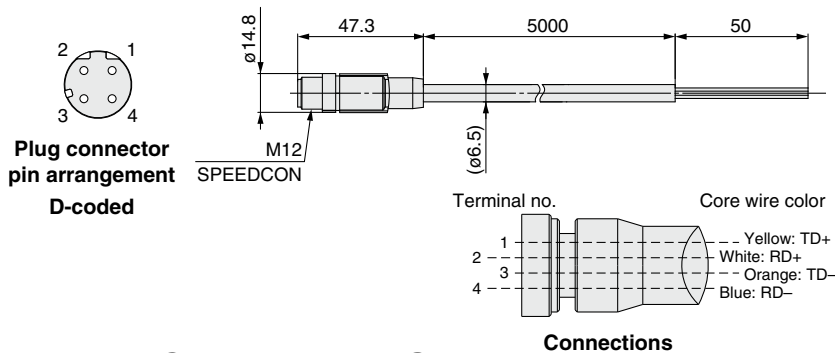
Cable with connector

PCA-1446566

SPEEDCON

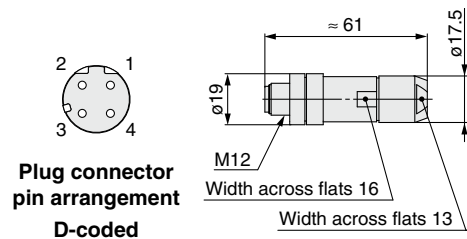
● Cable length

1446566 5000 [mm]



Fieldwireable connector

PCA-1446553



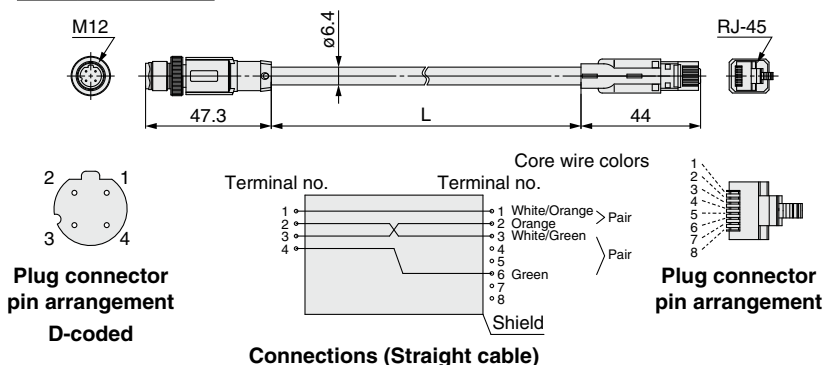
EX9-AC 020 EN - PSRJ

● Cable length

010	1000 [mm]
020	2000 [mm]
030	3000 [mm]
050	5000 [mm]
100	10000 [mm]

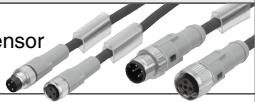


● Connector specification

PSRJ M12 plug (straight) \leftrightarrow RJ-45 connector

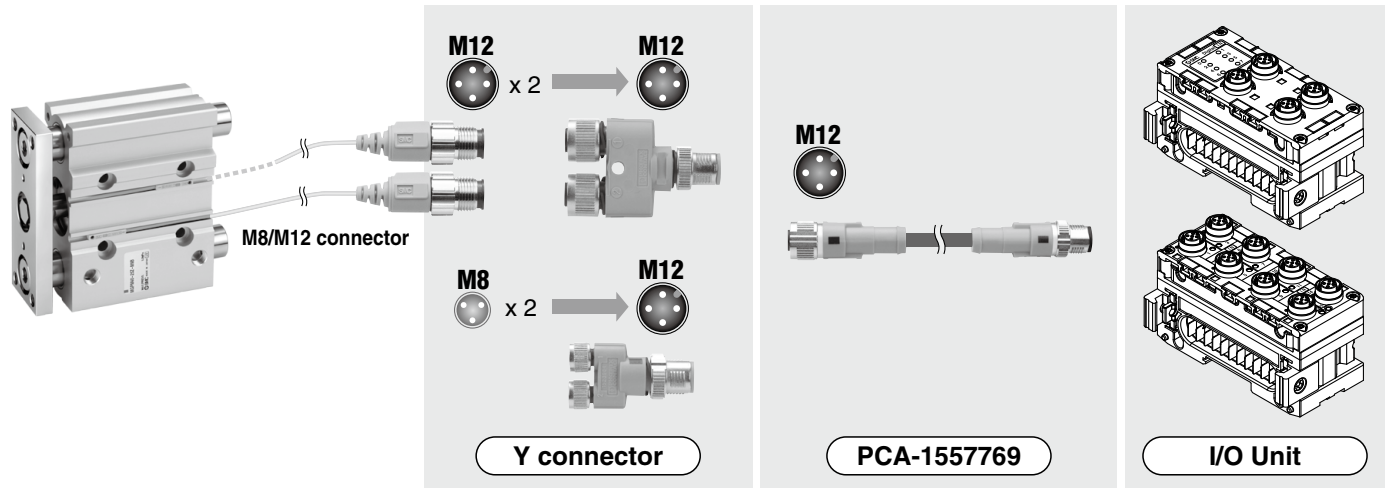


9 I/O Cable with Connector/I/O Connector

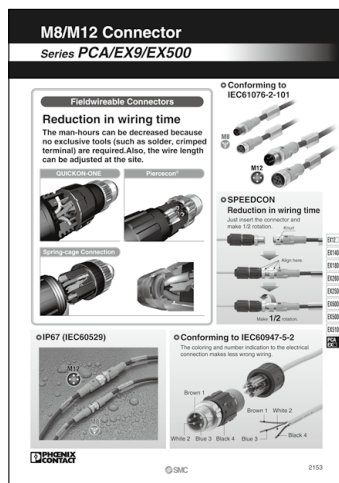
For details, refer to the M8/M12 connector catalog available on SMC website.

Name	Use	Part no.	Description
Cable with connector		PCA-1557769	Cable with M12 connector (4 pins/3 m)
		PCA-1557772	Cable with M8 connector (3 pins/3 m)
Fieldwireable connector		PCA-1557730	Fieldwireable connector (M8/3 pins/Plug/Piercecon® connection)
		PCA-1557743	Fieldwireable connector
		PCA-1557756	(M12/4 pins/Plug/QUICKON-ONE connection/SPEEDCON)
Y connector		PCA-1557785	Y connector (2 x M12 (5 pins)-M12 (5 pins)/SPEEDCON)
		PCA-1557798	Y connector (2 x M8 (3 pins)-M12 (4 pins)/SPEEDCON)

Note) When using the Y connector, connect it to the connector on the I/O Unit through the sensor cable (PCA-1557769) with the M12 connector.



M8/M12 connector



For details about the cables and connectors that can be purchased from SMC, refer to the **WEB catalog** or the Best Pneumatics No. 1.

Series EX600

Series SY

Series SV

Series S0700

Series VQC

Series EX600

Table of Mountable Units

The Units that can be connected differ depending on the product number.
Before mounting, please check the types of Units that can be connected.

○: Acceptable
×: Not acceptable

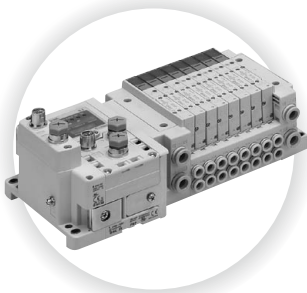
**Table of Compatible Units
Mountable with Each SI Unit**

		Product number				
		SI Unit				
		EX600-SPR□ (PROFIBUS DP) EX600-SDN□ (DeviceNet™)	EX600-SPR□A (PROFIBUS DP) EX600-SDN□A (DeviceNet™)	EX600-SMJ□ (CC-Link)	EX600-SEN□ (EtherNet/IP™) EX600-SEC□ (EtherCAT®) EX600-SPN□ (PROFINET)	
		Version Nil	Version A	Version Nil	Version Nil	
Product number	Digital Input Unit	EX600-DX□B	○	○	○	○
		EX600-DX□C□	○	○	○	○
		EX600-DX□D	○	○	○	○
		EX600-DX□E	×	○	○	○
		EX600-DX□F	×	○	○	○
	Digital Output Unit	EX600-DY□B	○	○	○	○
		EX600-DY□E	×	○	○	○
		EX600-DY□F	×	○	○	○
	Digital Input/Output Unit	EX600-DM□E	×	○	○	○
		EX600-DM□F	×	○	○	○
	Analog Input Unit	EX600-AXA	○	○	○	○
	Analog Output Unit	EX600-AYA	×	○	○	○
	Analog Input/Output Unit	EX600-AMB	×	○	○	○
	Handheld Terminal	EX600-HT1-□	○	○	○	×
EX600-HT1A-□		○	○	○	○	

**Table of Compatible Units Capable of
Communication with Handheld Terminals**

		Product number		
		Handheld Terminal		
		EX600-HT1-□	EX600-HT1A-□	
		Version Nil	Version A	
Product number	SI Unit	EX600-SPR□ (PROFIBUS DP)	○	○
		EX600-SPR□A (PROFIBUS DP)	○	○
		EX600-SDN□ (DeviceNet™)	○	○
		EX600-SDN□A (DeviceNet™)	○	○
		EX600-SMJ□ (CC-Link)	○	○
		EX600-SEN□ (EtherNet/IP™)	×	○
		EX600-SEC□ (EtherCAT®)	×	○
		EX600-SPN□ (PROFINET)	×	○
	Digital Input Unit	EX600-DX□B	○	○
		EX600-DX□C□	○	○
		EX600-DX□D	○	○
		EX600-DX□E	×	○
		EX600-DX□F	×	○
	Digital Output Unit	EX600-DY□B	○	○
EX600-DY□E		×	○	
EX600-DY□F		×	○	
Digital Input/Output Unit	EX600-DM□E	×	○	
	EX600-DM□F	×	○	
Analog Input Unit	EX600-AXA	○	○	
Analog Output Unit	EX600-AYA	×	○	
Analog Input/Output Unit	EX600-AMB	×	○	

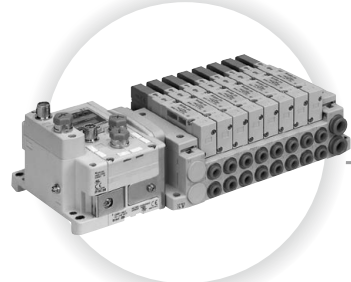
Manifold Solenoid Valves for *Series EX600*



Series SY3000/5000/7000

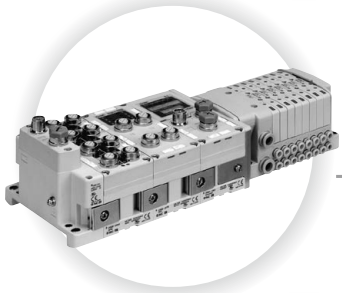
Type 10 Side Ported/Type 11 Bottom Ported **P. 27**

Type 12 Top Ported **P. 37**



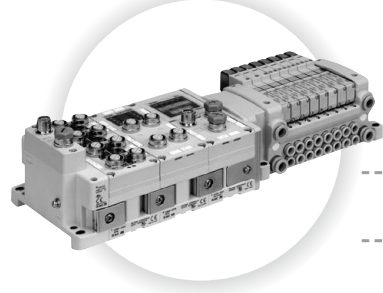
Series SV1000/2000/3000

P. 39



Series S0700

P. 47



Series VQC1000 P. 51

Series VQC2000 P. 55

Series VQC4000 P. 59

Series VQC5000 P. 62-1

Type 10
Side Ported

Type 11
Bottom Ported

EX600

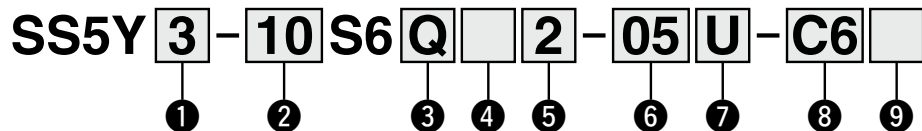
5 Port Solenoid Valve

Series SY3000/5000/7000



How to Order Manifold

Refer to the SY3000/5000/7000 series catalog (CAT.ES11-103) for dimensions of Type 11/ Bottom ported type.



1 Series

3	SY3000
5	SY5000
7	SY7000

2 Type

10	Side ported
11	Bottom ported*

* Bottom ported type of the SY3000 uses the manifold base of the SY5000. When ordering, refer to How to Order "Plug-in Mixed Mounting Type Manifold" in the SY5000/5000/7000 series catalog (CAT.ES11-103).

3 SI Unit

0	Without SI Unit <small>Note 1) 2)</small>
Q	DeviceNet™
N	PROFIBUS DP
V	CC-Link
ZE	EtherNet/IP™ (1 port)
EA	EtherNet/IP™ (2 ports)
D	EtherCAT®
F	PROFINET

Note 1) I/O Unit cannot be mounted without SI Unit.

Note 2) Valve plate which connects manifold and SI Unit is not mounted to a valve without SI Unit. Refer to page 65 for mounting method.

4 SI Unit output polarity, end plate type

SI Unit output polarity	Power supply with M12 connector	Power supply with 7/8 inch connector
Without SI Unit	Nil	
SI Unit positive common	2	3
SI Unit negative common	4	5

* Ensure a match with the common specification of the valve to be used.

* Without SI Unit, the symbol is nil.

5 I/O Unit stations

Nil	None
1	1 station
⋮	⋮
9	9 stations

* Without SI Unit, the symbol is nil.

* SI Unit is not included in I/O Unit stations.

* When I/O Unit is selected, it is shipped separately, and assembled by users. Refer to the attached operation manual for mounting method.

6 Valve stations

Symbol	Stations	Note
02	2 stations	Double wiring <small>Note 1)</small>
⋮	⋮	
16	16 stations	
02	2 stations	Specified layout <small>Note 2)</small> (Available up to 32 solenoids)
⋮	⋮	
24	24 stations	

Note 1) Double wiring: 2-position single, double, 3-position and 4-position valves can be used on all manifold stations. Use of a 2-position single solenoid will result in an unused control signal. If this is not desired, order with a specified layout.

Note 2) Specified layout: Indicate the wiring specifications on the manifold specification sheet. (Note that 2-position double, 3-position and 4-position valves cannot be used where single wiring has been specified.)

* This also includes the number of blanking plate assembly.

7 P, E port entry, SUP/EXH block assembly

P, E port entry	Internal pilot	Internal pilot, Built-in silencer	External pilot
U side (2 to 10 stations)	U	C	G
D side (2 to 10 stations)	D	E	H
Both sides (2 to 24 stations)	B	F	J

* 3/5(E) port is plugged for built-in silencer type.

* When built-in silencer type is used, keep the exhaust port from coming in direct contact with water or other liquids.

9 Mounting and Option

Symbol	Mounting	Option	
		Name plate	Station number printed
Nil	Direct mounting <small>Note 2)</small>	—	—
AA		●	●
BA		●	—
D <small>Note 1)</small>	DIN rail mounting	—	—
A <small>Note 1)</small>		●	●
B <small>Note 1)</small>		●	—

Note 1) Enter the number of stations inside when it is larger than the number of valve stations. (Refer to "DIN Rail Option" below.)

Note 2) Only direct mounting is available for Type 11 (Bottom ported).

DIN Rail Option

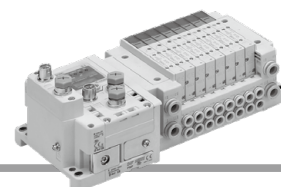
Nil	Direct mounting
0	Without DIN rail (with bracket)
3	Specify a longer rail than the total length of specified stations.
⋮	
24	

* If the DIN rail must be mounted without an SI Unit, select D0. Then, refer to L3 of the dimensions for the DIN rail length and order separately. (Refer to the SY3000/5000/7000 series catalog (CAT.ES11-103) for the DIN rail part number.)

* Refer to the SY3000/5000/7000 series catalog (CAT.ES11-103) for the fixation of DIN rail mounting type manifold.

Refer to the page on the right for 8.

Refer to the catalog of each series for details on manifold solenoid valve specifications, Common Precautions and Specific Product Precautions.



Series EX600

Series SY

Series SV

Series S0700

Series VQC

8 A, B port size (Metric/One-touch fitting)

Symbol	A, B port	Type 10/Side ported			Type 11/Bottom ported	
		SY3000	SY5000	SY7000	SY5000	SY7000
C2	ø2	●	—	—	—	—
C3	ø3.2	●	—	—	—	—
C4	ø4	●	●	—	●	—
C6	ø6	●	●	●	●	●
C8	ø8	—	●	●	●	●
C10	ø10	—	—	●	—	●
C12	ø12	—	—	●	—	●
CM*	Straight port, mixed sizes	●	●	●	●	●
L4	Upward	ø4	●	●	—	—
L6		ø6	●	●	●	—
L8		ø8	—	●	●	—
L10		ø10	—	—	●	—
L12		ø12	—	—	●	—
B4	Downward	ø4	●	●	—	—
B6		ø6	●	●	●	—
B8		ø8	—	●	●	—
B10		ø10	—	—	●	—
B12		ø12	—	—	●	—
LM*	Elbow port, mixed sizes (Including upward and downward piping)	●	●	●	—	—
P, E port size (One-touch fittings)		ø8	ø10	ø12	ø10	ø12

A, B port size (Inch/One-touch fitting)

Symbol	A, B port	Type 10/Side ported			Type 11/Bottom ported	
		SY3000	SY5000	SY7000	SY5000	SY7000
N1	ø1/8"	●	—	—	—	—
N3	ø5/32"	●	●	—	●	—
N7	ø1/4"	●	●	●	●	●
N9	ø5/16"	—	●	●	●	●
N11	ø3/8"	—	—	●	—	●
CM*	Straight port, mixed sizes	●	●	●	●	●
LN3	Upward	ø5/32"	●	—	—	—
LN7		ø1/4"	●	●	—	—
LN9		ø5/16"	—	●	—	—
LN11	ø3/8"	—	—	●	—	—
BN3	Downward	ø5/32"	●	—	—	—
BN7		ø1/4"	●	●	—	—
BN9		ø5/16"	—	●	—	—
BN11		ø3/8"	—	—	●	—
LM*	Elbow port, mixed sizes (Including upward and downward piping)	●	●	●	—	—
P, E port size (One-touch fittings)		ø5/16"	ø3/8"	ø1/2"	ø3/8"	ø1/2"

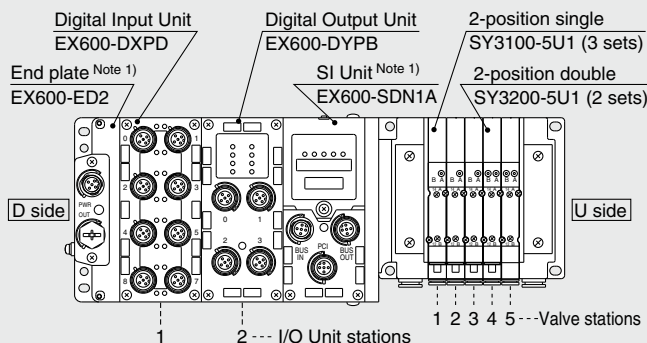
Note) To avoid interference with the body or piping, select downward elbow port when mounting the optional spacer assembly [SY3000/5000/7000 series catalog (CAT.ES11-103)].

* Indicate the sizes on the manifold specification sheet in the case of "CM", "LM".

* The direction of P, E port fittings is the same as for A, B port. If selecting "LM", indicate it on the manifold specification sheet for the P, E port fitting direction.

How to Order Manifold Assembly

Example (SS5Y3-10S6□-□)



SS5Y3-10S6Q42-05B-C6... 1 set (Type 10 5-station manifold base part no.)

*SY3100-5U1 3 sets (2-position single part number)

*SY3200-5U1 2 sets (2-position double part number)

*EX600-DXPD 1 set I/O Unit part number (Station 1)

*EX600-DYPB 1 set I/O Unit part number (Station 2)

→ The asterisk denotes the symbol for assembly. Prefix it to the part numbers of the valve etc.

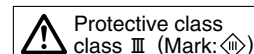
- The valve arrangement is numbered as the 1st station from the D side.
- Under the manifold part number, state the valves to be mounted, then the I/O Units in order from the 1st station as shown in the figure above. If the arrangement becomes complicated, specify on the manifold specification sheet.

Note 1) Do not enter the SI Unit part number and the end plate part number together.

Note 2) When mixing top ported configurations, select from the SY3000/5000/7000 series catalog (CAT.ES11-103).

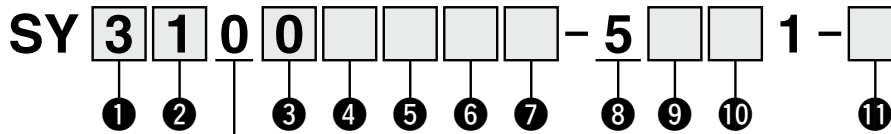
In this case, use caution as there is also output on the A and B port on base side.

Specify on the manifold specification sheet if plugs are required on the A and B port on base side.



Refer to the SY3000/5000/7000 series catalog (CAT.ES11-103) for valve specifications.

How to Order Valves (With mounting screw)



• Base mounted

1 Series

3	SY3000
5	SY5000
7	SY7000

2 Type of actuation

1	2-position	Single
2		Double
3	3-position	Closed center
4		Exhaust center
5		Pressure center
A*	4-position dual 3-port	N.C./N.C.
B*		N.O./N.O.
C*		N.C./N.O.

* Only rubber seal type is available for 4-position dual 3-port valve.

3 Seal type

0	Rubber seal
1	Metal seal

4 Pilot type

Nil	Internal pilot
R	External pilot

5 Back pressure check valve (Built-in valve type)

Nil	None
H	Built-in

* Only rubber seal type. Manifold installed type is available if the back pressure check valve is required for a valve with metal seal. Refer to the SY3000/5000/7000 series catalog (CAT.ES11-103) for Ordering Example. However, it is not recommended to use built-in valve type and manifold installed type at the same time because it will reduce the flow.
* Built-in valve type back pressure check valve is not available for 3-position type and the SY7000.

6 Pilot valve option

Nil	Standard (0.7 MPa)
B	Quick response type (0.7 MPa)
K*	High pressure type (1.0 MPa)

* Only metal seal type is available for high pressure type.

7 Coil type

Nil	Standard
T	With power saving circuit (Continuous duty type)

* Be sure to select power saving circuit type when the valve is continuously energized for long periods of time.
* Be careful of the energizing time when the power saving circuit is selected. Refer to the SY3000/5000/7000 series catalog (CAT. ES11-103) for details.

8 Rated voltage

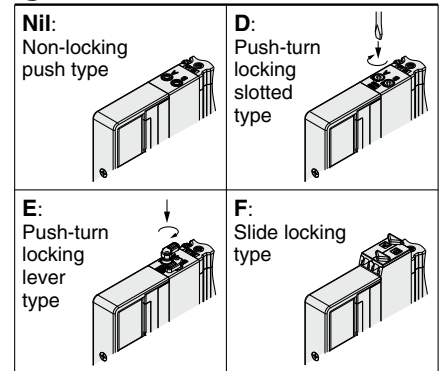
5	24 VDC
---	--------

9 Light/surge voltage suppressor and common specification

Symbol	With light	Surge voltage suppressor	Common specification
R	—	●	Non-polar
U	●		
S	—		Positive common
Z	●		
NS	—	Negative common	
NZ	●		

* Select a valve from R, U, S or Z when the SI Unit polarity is positive common. Select a valve from R, U, NS or NZ when the SI Unit output polarity is negative common.
* Only "Z" and "NZ" types are available for product with power saving circuit.

10 Manual override



* Refer to the SY3000/5000/7000 series catalog (CAT.ES11-103) for with safety slide locking manual override.

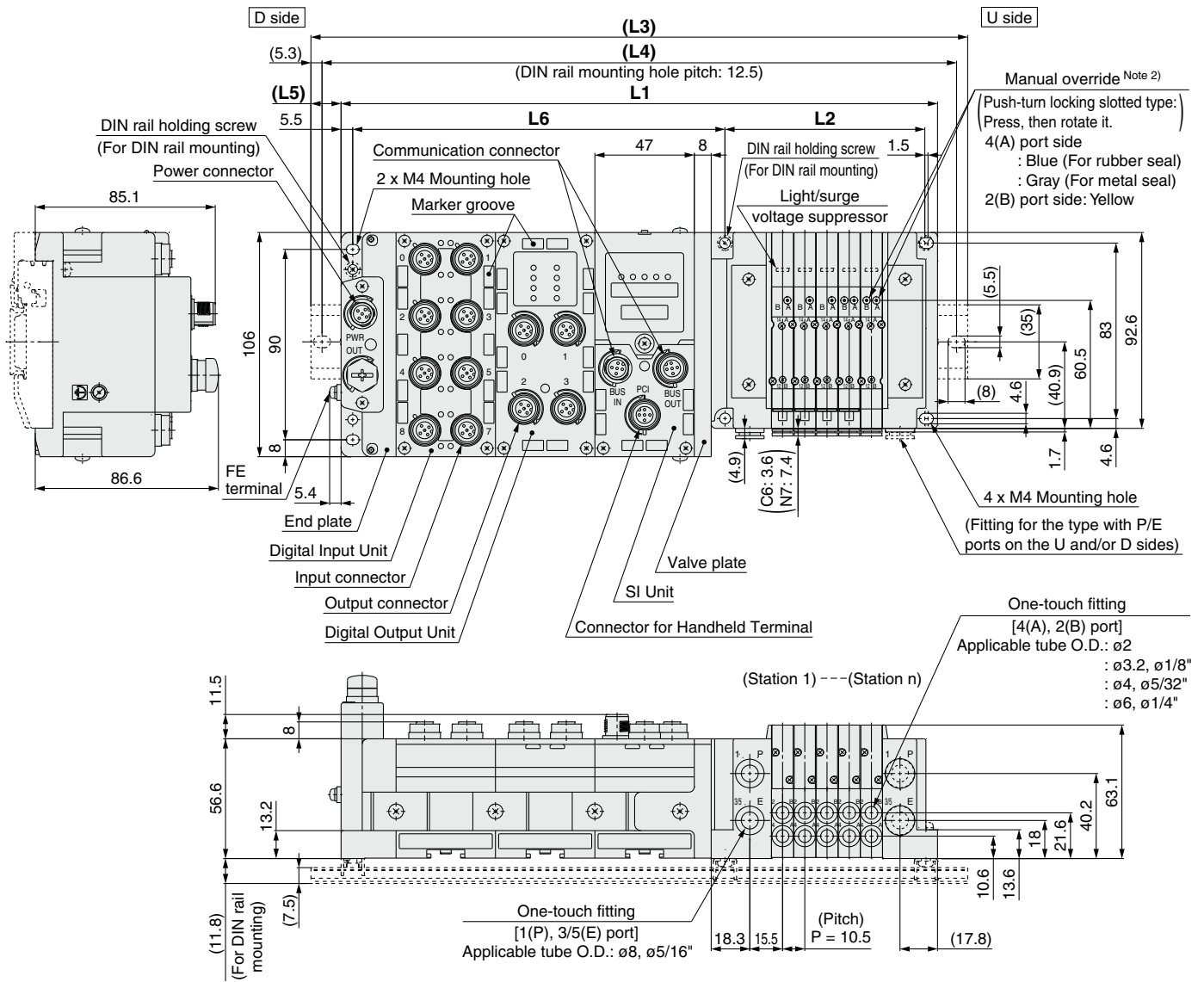
11 Type of mounting screw

Nil	Round head combination screw
B	Hexagon socket head cap screw
K	Round head combination screw (Falling-out-prevention type)
H	Hexagon socket head cap screw (Falling-out-prevention type)

* For "K" and "H", the valve body cover has a drop prevention construction to stop the mounting screws from falling out when the valve is removed for maintenance etc.
* **When ordering a valve individually, the base gasket is not included.** Since the base gasket is attached to the manifold, please order the base gasket separately if it is needed for maintenance service. Refer to the SY3000/5000/7000 series catalog (CAT.ES11-103) for part numbers of the base gasket and mounting screw.
* "B" and "H" cannot be selected for the individual SUP/EXH spacer assembly, interface regulator or double check spacer assembly with residual pressure release valve.

Dimensions

Power supply with M12 connector



$L1 = 10.5 \times n1 + 135.5 + 47 \times n2$
 $L2 = 10.5 \times n1 + 42$
 $L4 = L3 - 10.5$
 $L5 = (L3 - L1) / 2$
 $L6 = 47 \times n2 + 82$

n1: Valve stations
n2: I/O Unit stations

Note 1) These figures show the "SS5Y3-10S6Q22-05D-C6".
 Note 2) Refer to the SY3000/5000/7000 series catalog (CAT.ES11-103) for dimensions of external pilot, silencer, elbow fittings and slide locking manual override.
 Note 3) Refer to the SY3000/5000/7000 series catalog (CAT.ES11-103) for dimensions of A or B port top-ported type.

L3: DIN Rail Overall Length

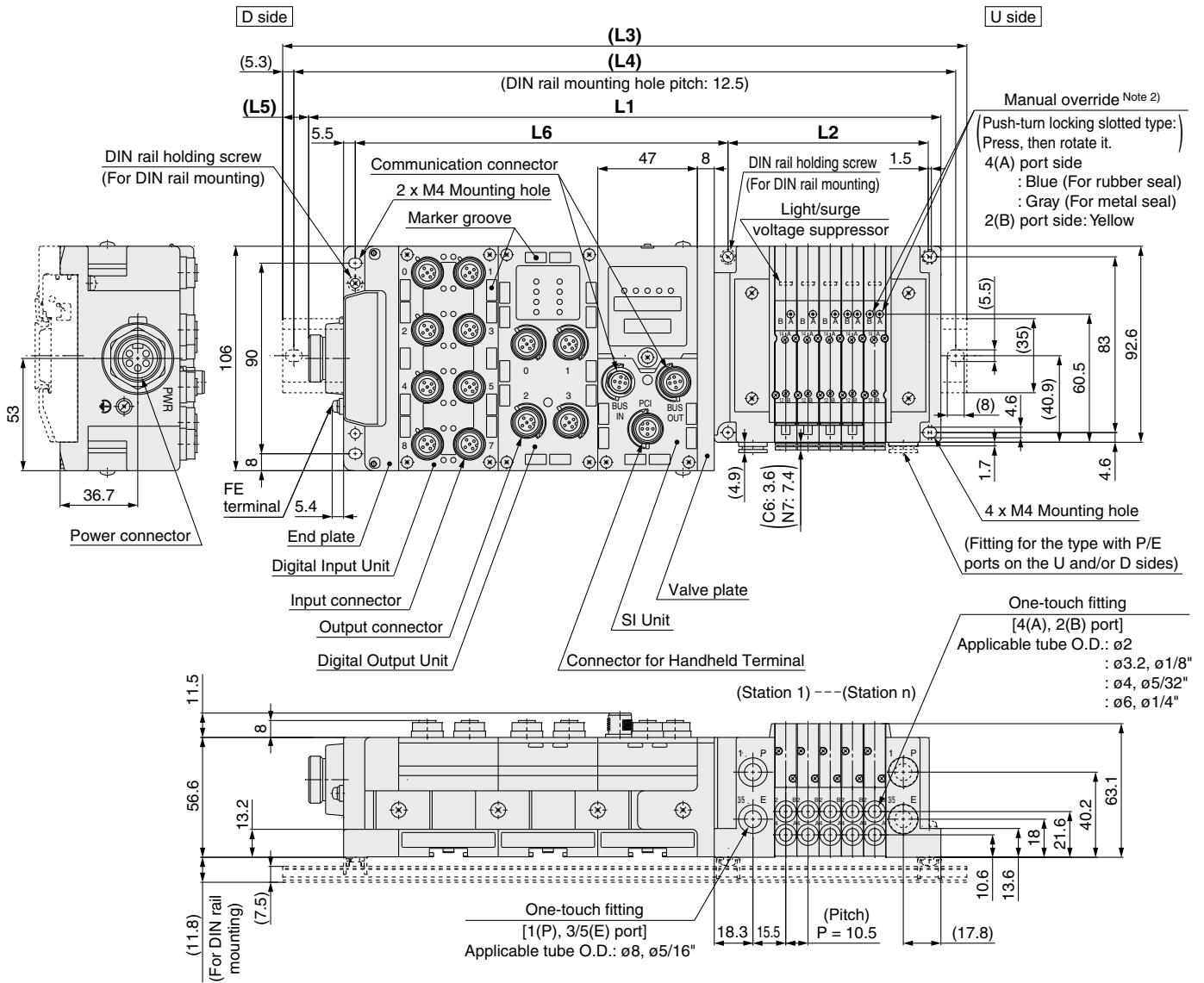
I/O Unit stations (n2) \ Valve stations (n1)	Valve stations (n1)																							
	2	3	4	5	6	7	8	9	10	11	12	13	14	15	16	17	18	19	20	21	22	23	24	
0	185.5	198	210.5	223	223	235.5	248	260.5	273	285.5	285.5	298	310.5	323	335.5	348	348	360.5	373	385.5	398	410.5	423	
1	235.5	248	248	260.5	273	285.5	298	310.5	323	323	335.5	348	360.5	373	385.5	385.5	398	410.5	423	435.5	448	448	460.5	
2	285.5	285.5	298	310.5	323	335.5	348	348	360.5	373	385.5	398	410.5	410.5	423	435.5	448	460.5	473	485.5	485.5	498	510.5	
3	323	335.5	348	360.5	373	385.5	385.5	398	410.5	423	435.5	448	448	460.5	473	485.5	498	510.5	510.5	523	535.5	548	560.5	
4	373	385.5	398	410.5	410.5	423	435.5	448	460.5	473	473	485.5	498	510.5	523	535.5	548	548	560.5	573	585.5	598	610.5	
5	423	435.5	448	448	460.5	473	485.5	498	510.5	510.5	523	535.5	548	560.5	573	573	585.5	598	610.5	623	635.5	635.5	648	
6	473	473	485.5	498	510.5	523	535.5	535.5	548	560.5	573	585.5	598	610.5	610.5	623	635.5	648	660.5	673	673	685.5	698	
7	510.5	523	535.5	548	560.5	573	573	585.5	598	610.5	623	635.5	635.5	648	660.5	673	685.5	698	698	710.5	723	735.5	748	
8	560.5	573	585.5	598	598	610.5	623	635.5	648	660.5	673	673	685.5	698	710.5	723	735.5	735.5	748	760.5	773	785.5	798	
9	610.5	623	635.5	635.5	648	660.5	673	685.5	698	698	710.5	723	735.5	748	760.5	760.5	773	785.5	798	810.5	823	835.5	835.5	

Series SY3000/5000/7000

Series SY3000 Type 10 Side Ported

Dimensions

Power supply with 7/8 inch connector



L1 = 10.5 x n1 + 152 + 47 x n2
 L2 = 10.5 x n1 + 42
 L4 = L3 - 10.5
 L5 = (L3 - L1)/2
 L6 = 47 x n2 + 82

Note 1) These figures show the "SS5Y3-10S6Q32-05D-C6".
 Note 2) Refer to the SY3000/5000/7000 series catalog (CAT.ES11-103) for dimensions of external pilot, silencer, elbow fittings and slide locking manual override.
 Note 3) Refer to the SY3000/5000/7000 series catalog (CAT.ES11-103) for dimensions of A or B port top-ported type.

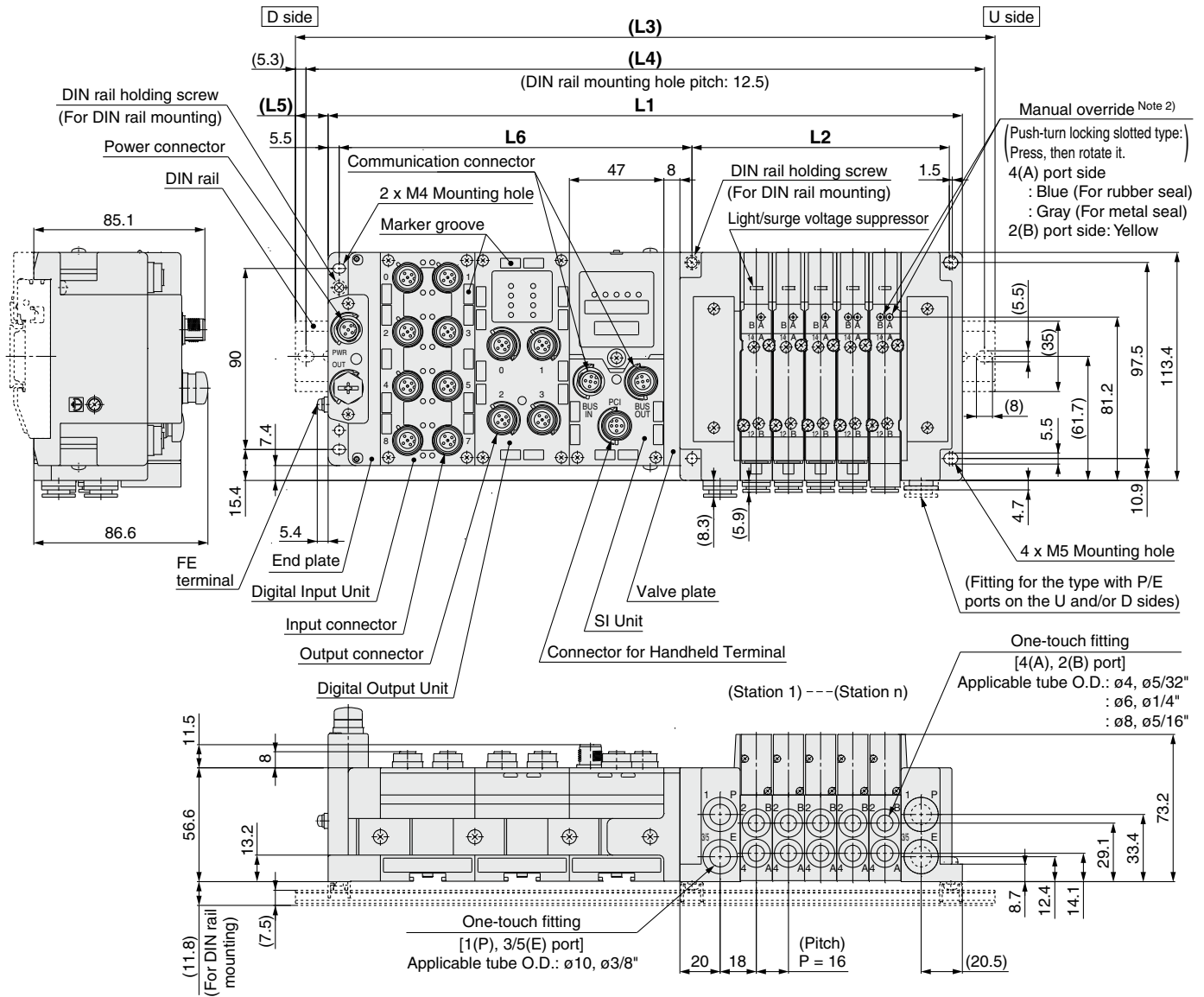
n1: Valve stations
 n2: I/O Unit stations

L3: DIN Rail Overall Length

I/O Unit stations (n2) \ Valve stations (n1)	Valve stations (n1)																							
	2	3	4	5	6	7	8	9	10	11	12	13	14	15	16	17	18	19	20	21	22	23	24	
0	198	210.5	223	235.5	248	260.5	260.5	273	285.5	298	310.5	323	323	335.5	348	360.5	373	385.5	385.5	398	410.5	423	435.5	
1	248	260.5	273	285.5	285.5	298	310.5	323	335.5	348	360.5	360.5	373	385.5	398	410.5	423	423	435.5	448	460.5	473	485.5	
2	298	310.5	323	323	335.5	348	360.5	373	385.5	385.5	398	410.5	423	435.5	448	448	460.5	473	485.5	498	510.5	523	523	
3	348	348	360.5	373	385.5	398	410.5	423	423	435.5	448	460.5	473	485.5	485.5	498	510.5	523	535.5	548	548	560.5	573	
4	385.5	398	410.5	423	435.5	448	448	460.5	473	485.5	498	510.5	510.5	523	535.5	548	560.5	573	585.5	598	598	610.5	623	
5	435.5	448	460.5	473	485.5	485.5	498	510.5	523	535.5	548	548	560.5	573	585.5	598	610.5	610.5	623	635.5	648	660.5	673	
6	485.5	498	510.5	510.5	523	535.5	548	560.5	573	573	585.5	598	610.5	623	635.5	648	648	660.5	673	685.5	698	710.5	710.5	
7	535.5	548	548	560.5	573	585.5	598	610.5	610.5	623	635.5	648	660.5	673	673	685.5	698	710.5	723	735.5	735.5	748	760.5	
8	573	585.5	598	610.5	623	635.5	635.5	648	660.5	673	685.5	698	710.5	710.5	723	735.5	748	760.5	773	773	785.5	798	810.5	
9	623	635.5	648	660.5	673	673	685.5	698	710.5	723	735.5	735.5	748	760.5	773	785.5	798	798	810.5	823	835.5	848	860.5	

Dimensions

Power supply with M12 connector



$L1 = 16 \times n1 + 141.5 + 47 \times n2$
 $L2 = 16 \times n1 + 48$
 $L4 = L3 - 10.5$
 $L5 = (L3 - L1)/2$
 $L6 = 47 \times n2 + 81.5$

n1: Valve stations
n2: I/O Unit stations

Note 1) These figures show the "SSY5-10S6Q22-05D-C8".
 Note 2) Refer to the SY3000/5000/7000 series catalog (CAT.ES11-103) for dimensions of external pilot, silencer, elbow fittings and slide locking manual override.
 Note 3) Refer to the SY3000/5000/7000 series catalog (CAT.ES11-103) for dimensions of A or B port top-ported type.

L3: DIN Rail Overall Length

Valve stations (n1) / I/O Unit stations (n2)	[mm]																							
	2	3	4	5	6	7	8	9	10	11	12	13	14	15	16	17	18	19	20	21	22	23	24	
0	198	223	235.5	248	273	285.5	298	310.5	335.5	348	360.5	373	398	410.5	423	448	460.5	473	485.5	510.5	523	535.5	560.5	
1	248	260.5	285.5	298	310.5	335.5	348	360.5	373	398	410.5	423	448	460.5	473	485.5	510.5	523	535.5	548	573	585.5	598	
2	298	310.5	323	348	360.5	373	398	410.5	423	435.5	460.5	473	485.5	510.5	523	535.5	548	573	585.5	598	623	635.5	648	
3	348	360.5	373	398	410.5	423	435.5	460.5	473	485.5	498	523	535.5	548	573	585.5	598	610.5	635.5	648	660.5	685.5	698	
4	385.5	410.5	423	435.5	460.5	473	485.5	498	523	535.5	548	573	585.5	598	610.5	635.5	648	660.5	673	698	710.5	723	748	
5	435.5	448	473	485.5	498	523	535.5	548	560.5	585.5	598	610.5	635.5	648	660.5	673	698	710.5	723	748	760.5	773	785.5	
6	485.5	498	523	535.5	548	560.5	585.5	598	610.5	623	648	660.5	673	698	710.5	723	735.5	760.5	773	785.5	810.5	823	835.5	
7	535.5	548	560.5	585.5	598	610.5	623	648	660.5	673	698	710.5	723	735.5	760.5	773	785.5	798	823	835.5	848	873	885.5	
8	573	598	610.5	623	648	660.5	673	685.5	710.5	723	735.5	760.5	773	785.5	798	823	835.5	848	873	885.5	898	910.5	935.5	
9	623	648	660.5	673	685.5	710.5	723	735.5	748	773	785.5	798	823	835.5	848	860.5	885.5	898	910.5	935.5	948	960.5	973	

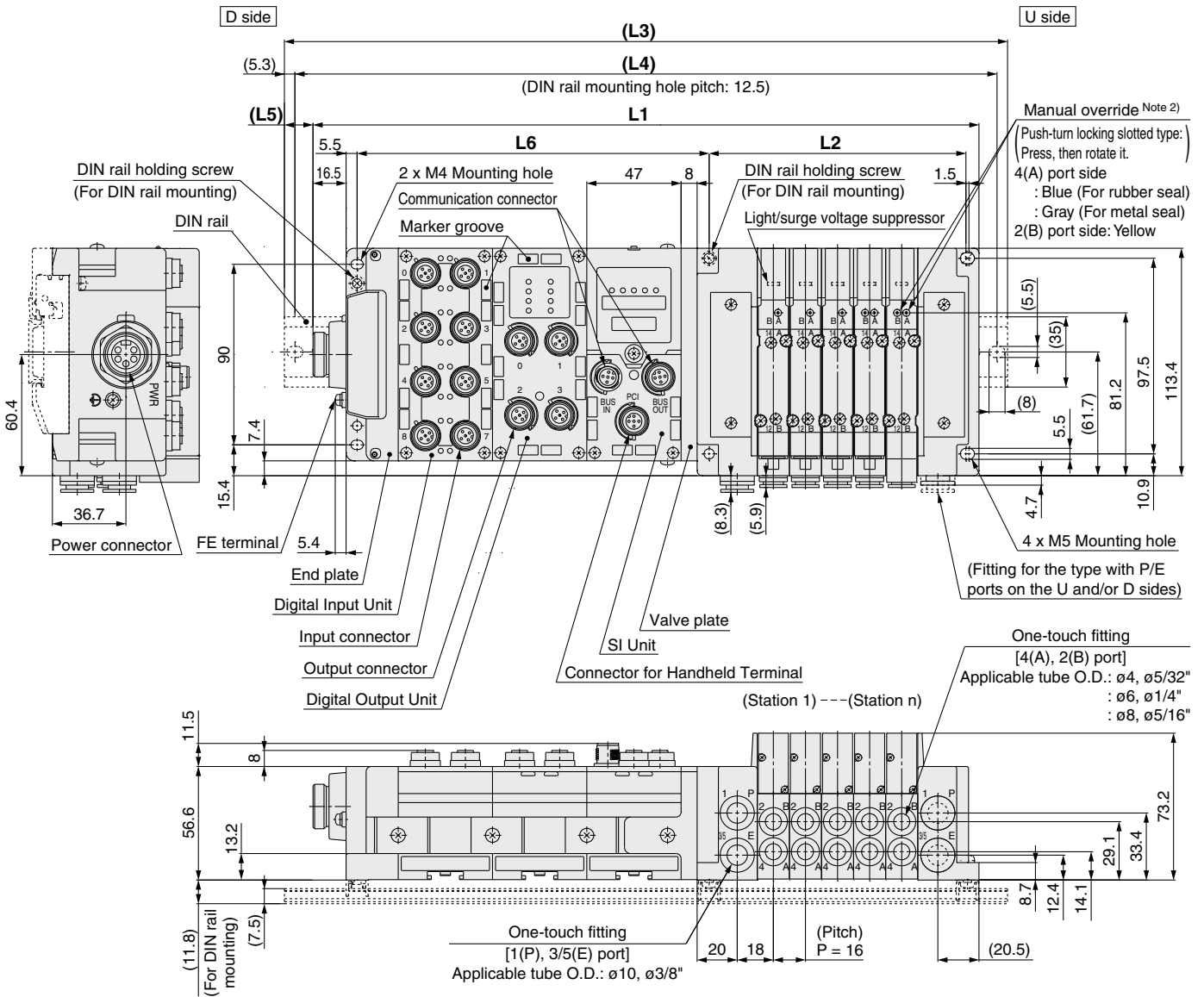
Series EX600
 Series SY
 Series SV
 Series S0700
 Series VQC

Series SY3000/5000/7000

Series SY5000 Type 10 Side Ported

Dimensions

Power supply with 7/8 inch connector



L1 = 16 x n1 + 158 + 47 x n2
 L2 = 16 x n1 + 48
 L4 = L3 - 10.5
 L5 = (L3 - L1)/2
 L6 = 47 x n2 + 81.5

n1: Valve stations
 n2: I/O Unit stations

Note 1) These figures show the "SS5Y5-10S6Q32-05D-C8".

Note 2) Refer to the SY3000/5000/7000 series catalog (CAT.ES11-103) for dimensions of external pilot, silencer, elbow fittings and slide locking manual override.

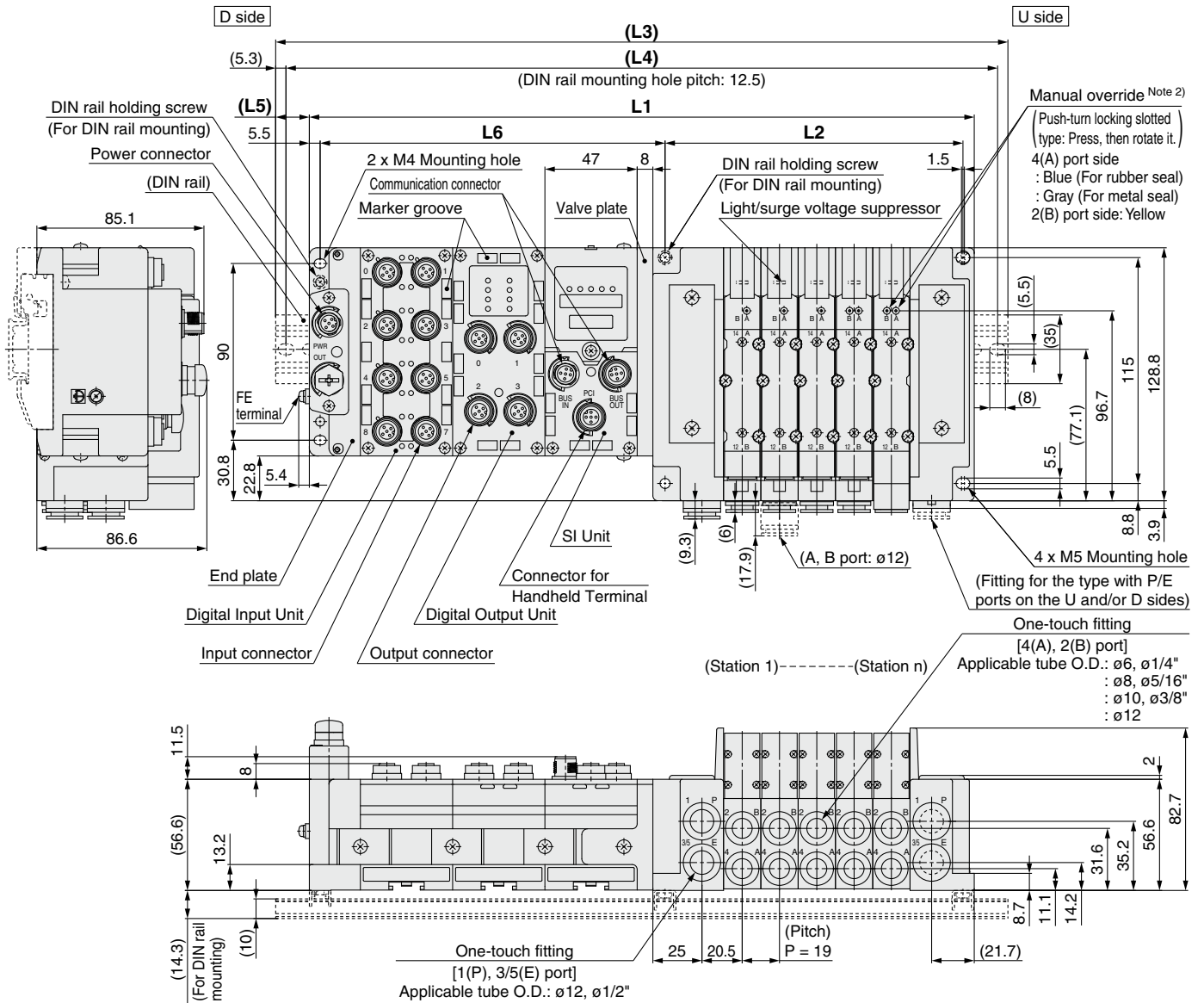
Note 3) Refer to the SY3000/5000/7000 series catalog (CAT.ES11-103) for dimensions of A or B port top-ported type.

L3: DIN Rail Overall Length

Valve stations (n1) / I/O Unit stations (n2)	[mm]																							
	2	3	4	5	6	7	8	9	10	11	12	13	14	15	16	17	18	19	20	21	22	23	24	
0	223	235.5	248	273	285.5	298	310.5	335.5	348	360.5	385.5	398	410.5	423	448	460.5	473	485.5	510.5	523	535.5	560.5	573	
1	260.5	285.5	298	310.5	335.5	348	360.5	373	398	410.5	423	448	460.5	473	485.5	510.5	523	535.5	560.5	573	585.5	598	623	
2	310.5	335.5	348	360.5	373	398	410.5	423	435.5	460.5	473	485.5	510.5	523	535.5	548	573	585.5	598	623	635.5	648	660.5	
3	360.5	373	398	410.5	423	435.5	460.5	473	485.5	510.5	523	535.5	548	573	585.5	598	610.5	635.5	648	660.5	685.5	698	710.5	
4	410.5	423	435.5	460.5	473	485.5	498	523	535.5	548	573	585.5	598	610.5	635.5	648	660.5	685.5	698	710.5	723	748	760.5	
5	460.5	473	485.5	498	523	535.5	548	560.5	585.5	598	610.5	635.5	648	660.5	673	698	710.5	723	748	760.5	773	785.5	810.5	
6	498	523	535.5	548	560.5	585.5	598	610.5	635.5	648	660.5	673	698	710.5	723	735.5	760.5	773	785.5	810.5	823	835.5	848	
7	548	560.5	585.5	598	610.5	623	648	660.5	673	698	710.5	723	735.5	760.5	773	785.5	810.5	823	835.5	848	873	885.5	898	
8	598	610.5	623	648	660.5	673	685.5	710.5	723	735.5	760.5	773	785.5	798	823	835.5	848	873	885.5	898	910.5	935.5	948	
9	648	660.5	673	685.5	710.5	723	735.5	760.5	773	785.5	798	823	835.5	848	860.5	885.5	898	910.5	935.5	948	960.5	973	—	

Dimensions

Power supply with M12 connector



$L1 = 19 \times n1 + 149.7 + 47 \times n2$
 $L2 = 19 \times n1 + 56$
 $L3 = \text{DIN rail dimension}$
 $L4 = L3 - 10.5$
 $L5 = (L3 - L1)/2$
 $L6 = 47 \times n2 + 81.7$

n1: Valve stations
n2: I/O Unit stations

- Note 1) These figures show the "SS5Y7-10S6Q22-05D-C10".
 Note 2) Refer to the SY3000/5000/7000 series catalog (CAT.ES11-103) for dimensions of external pilot, silencer, elbow fittings and slide locking manual override.
 Note 3) Refer to the SY3000/5000/7000 series catalog (CAT.ES11-103) for dimensions of A or B port top-ported type.

L3: DIN Rail Overall Length

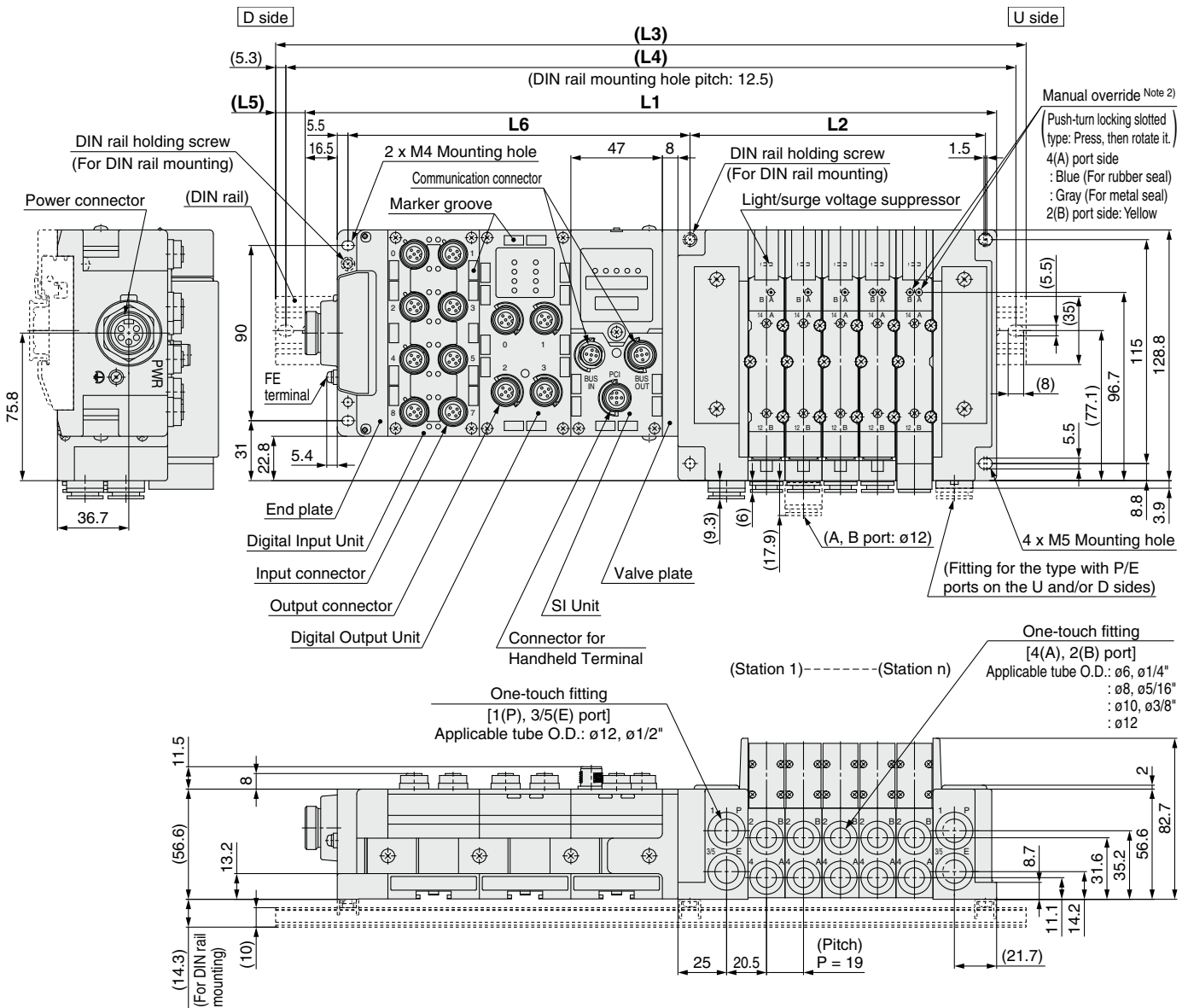
I/O unit stations (n2) \ Valve stations (n1)	[mm]																							
	2	3	4	5	6	7	8	9	10	11	12	13	14	15	16	17	18	19	20	21	22	23	24	
0	223	235.5	260.5	273	298	310.5	335.5	348	373	385.5	410.5	423	448	460.5	485.5	498	523	535.5	560.5	573	598	610.5	635.5	
1	260.5	285.5	298	323	335.5	360.5	373	398	410.5	435.5	448	473	498	510.5	535.5	548	573	585.5	610.5	623	648	660.5	685.5	
2	310.5	335.5	348	373	385.5	410.5	423	448	460.5	485.5	498	523	535.5	560.5	573	598	610.5	635.5	648	673	685.5	710.5	723	
3	360.5	373	398	410.5	435.5	448	473	485.5	510.5	523	548	573	585.5	610.5	623	648	660.5	685.5	698	723	735.5	760.5	773	
4	410.5	423	448	460.5	485.5	498	523	535.5	560.5	573	598	610.5	635.5	648	673	685.5	710.5	723	748	760.5	785.5	798	823	
5	448	473	485.5	510.5	523	548	560.5	585.5	598	623	648	660.5	685.5	698	723	735.5	760.5	773	798	810.5	835.5	848	873	
6	498	523	535.5	560.5	573	598	610.5	635.5	648	673	685.5	710.5	723	748	760.5	785.5	798	823	835.5	860.5	873	898	923	
7	548	560.5	585.5	598	623	635.5	660.5	673	698	723	735.5	760.5	773	798	810.5	835.5	848	873	885.5	910.5	923	948	960.5	
8	598	610.5	635.5	648	673	685.5	710.5	723	748	760.5	785.5	798	823	835.5	860.5	873	898	910.5	935.5	948	973	—	—	
9	635.5	660.5	673	698	710.5	735.5	748	773	798	810.5	835.5	848	873	885.5	910.5	923	948	960.5	985.5	—	—	—	—	

Series SY3000/5000/7000

Series SY7000 Type 10 Side Ported

Dimensions

Power supply with 7/8 inch connector



$$L1 = 19 \times n1 + 166.2 + 47 \times n2$$

$$L2 = 19 \times n1 + 56$$

$$L4 = L3 - 10.5$$

$$L5 = (L3 - L1)/2$$

$$L6 = 47 \times n2 + 81.7$$

n1: Valve stations
n2: I/O Unit stations

- Note 1) These figures show the "SS5Y7-10S6Q32-05D-C10".
 Note 2) Refer to the SY3000/5000/7000 series catalog (CAT.ES11-103) for dimensions of external pilot, silencer, elbow fittings and slide locking manual override.
 Note 3) Refer to the SY3000/5000/7000 series catalog (CAT.ES11-103) for dimensions of A or B port top-ported type.

L3: DIN Rail Overall Length

Valve stations (n1) / I/O unit stations (n2)	[mm]																							
	2	3	4	5	6	7	8	9	10	11	12	13	14	15	16	17	18	19	20	21	22	23	24	
0	235.5	248	273	285.5	310.5	323	348	360.5	385.5	410.5	423	448	460.5	485.5	498	523	535.5	560.5	573	598	610.5	635.5	648	
1	285.5	298	323	335.5	360.5	373	398	410.5	435.5	448	473	485.5	510.5	523	548	560.5	585.5	598	623	635.5	660.5	685.5	698	
2	323	348	360.5	385.5	398	423	435.5	460.5	485.5	498	523	535.5	560.5	573	598	610.5	635.5	648	673	685.5	710.5	723	748	
3	373	398	410.5	435.5	448	473	485.5	510.5	523	548	560.5	585.5	598	623	635.5	660.5	673	698	710.5	735.5	760.5	773	798	
4	423	435.5	460.5	473	498	510.5	535.5	560.5	573	598	610.5	635.5	648	673	685.5	710.5	723	748	760.5	785.5	798	823	835.5	
5	473	485.5	510.5	523	548	560.5	585.5	598	623	635.5	660.5	673	698	710.5	735.5	748	773	785.5	810.5	835.5	848	873	885.5	
6	510.5	535.5	548	573	585.5	610.5	635.5	648	673	685.5	710.5	723	748	760.5	785.5	798	823	835.5	860.5	873	898	910.5	935.5	
7	560.5	585.5	598	623	635.5	660.5	673	698	710.5	735.5	748	773	785.5	810.5	823	848	860.5	885.5	910.5	923	948	960.5	985.5	
8	610.5	623	648	660.5	685.5	710.5	723	748	760.5	785.5	798	823	835.5	860.5	873	898	910.5	935.5	948	973	985.5	—	—	
9	660.5	673	698	710.5	735.5	748	773	785.5	810.5	823	848	860.5	885.5	898	923	935.5	960.5	985.5	—	—	—	—	—	

Series **VQC**

Series **S0700**

Series **SV**

Series **SY**

Series **EX600**

EX600

5 Port Solenoid Valve

Series SY3000/5000/7000

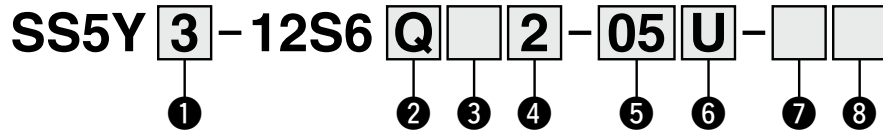


RoHS

Type 12
Top Ported

How to Order Manifold

Refer to the SY3000/5000/7000 series catalog (CAT. ES11-103) for dimensions of Type 12/Top ported type.



1 Series

3	SY3000
5	SY5000
7	SY7000

2 SI Unit

0	Without SI Unit <i>Note 1, 2)</i>
Q	DeviceNet™
N	PROFIBUS DP
V	CC-Link
ZE	EtherNet/IP™ (1 port)
EA	EtherNet/IP™ (2 ports)
D	EtherCAT®
F	PROFINET

Note 1) I/O Unit cannot be mounted without SI Unit.

Note 2) Valve plate which connects manifold and SI Unit, is not mounted to a valve without SI Unit. Refer to page 65 for mounting method.

3 SI Unit output polarity, end plate type

SI Unit output polarity	Power supply with M12 connector	Power supply with 7/8 inch connector
Without SI Unit	Nil	
SI Unit positive common	2	3
SI Unit negative common	4	5

* Without SI Unit, the symbol is nil.
* Ensure a match with the common specification of the value to be used.

4 I/O Unit stations

Nil	None
1	1 station
⋮	⋮
9	9 stations

* Without SI Unit, the symbol is nil.
* SI Unit is not included in I/O Unit stations.
* When I/O Unit is selected, it is shipped separately, and assembled by users. Refer to the attached operation manual for mounting method.

5 Valve stations

Symbol	Stations	Note
02	2 stations	Double wiring <i>Note 1)</i>
⋮	⋮	
16	16 stations	
02	2 stations	Specified layout <i>Note 2)</i> (Available up to 32 solenoids)
⋮	⋮	
24	24 stations	

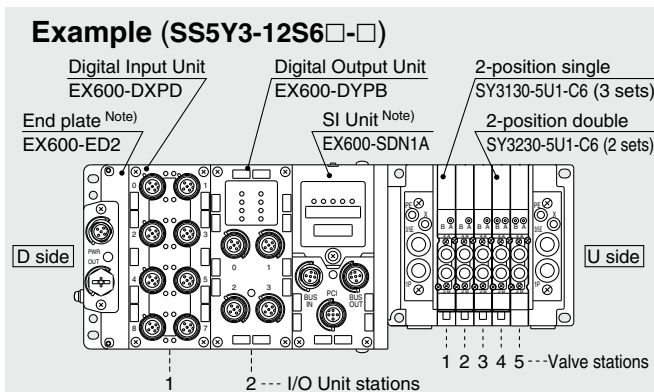
Note 1) Double wiring: 2-position single, double, 3-position and 4-position valves can be used on all manifold stations.

Use of a 2-position single solenoid will result in an unused control signal. If this is not desired, order with a specified layout.

Note 2) Specified layout: Indicate the wiring specifications on the manifold specification sheet. (Note that 2-position double, 3-position and 4-position valves cannot be used where single wiring has been specified.)

* This also includes the number of blanking plate assembly.

How to Order Manifold Assembly



Example (SS5Y3-12S6□-□)

SS5Y3-12S6Q42-05B 1 set (Type 12 5-station manifold base part no.)
 *SY3130-5U1-C6 3 sets (2-position single part number)
 *SY3230-5U1-C6 2 sets (2-position double part number)
 *EX600-DXPD 1 set I/O Unit part number (Station 1)
 *EX600-DYPB 1 set I/O Unit part number (Station 2)

The asterisk denotes the symbol for assembly. Prefix it to the part numbers of the solenoid valve etc.

- The valve arrangement is numbered as the 1st station from the D side.
- Under the manifold part number, state the valves to be mounted, then the I/O Units in order from the 1st station as shown in the figure above. If the arrangement becomes complicated, specify on the manifold specification sheet.

Note) Do not enter the SI Unit part number and the end plate part number together.

6 P, E port entry, SUP/EXH block assembly

P, E port entry	Internal pilot	Internal pilot, Built-in silencer	External pilot
U side (2 to 10 stations)	U	C <i>Note)</i>	G
D side (2 to 10 stations)	D	E <i>Note)</i>	H
Both sides (2 to 24 stations)	B	—	J

* For built-in silencer type, P and E ports are available on the U and D sides. 3/5(E) port is plugged. The silencer discharge port is located on the opposite side of P, E port entry. (Example: When the P, E port entry is D side, the silencer discharge port is U side.)

* When built-in silencer type is used, keep the exhaust port from coming in direct contact with water or other liquids.

Note) The P port entry for Option C is located on the U side, and for Option E is on the D side.

7 P, E port size (One-touch fittings)

Symbol	SY3000	SY5000	SY7000
Nil	ø8	ø10	ø12
N	ø5/16"	ø3/8"	ø1/2"

* For N, sizes are in inches.

8 Mounting

Nil	Direct mounting
D	DIN rail mounting (With DIN rail)
D0	DIN rail mounting (Without DIN rail)
D3	For 3 stations
⋮	⋮
D24	For 24 stations

Specify a longer rail than the standard length.

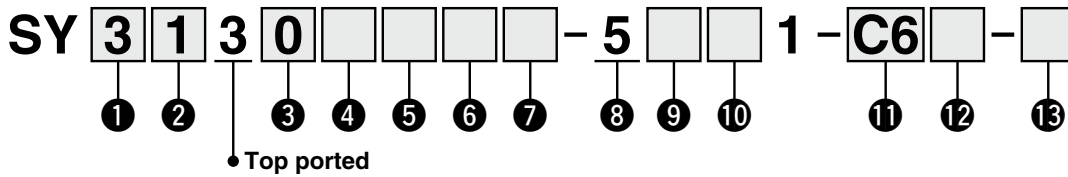
* When it is necessary to mount a DIN rail without an SI Unit, select D0 and order the DIN rail with required length separately by referring to L3 in the dimensions. (Refer to the SY3000/5000/7000 series catalog (CAT.ES11-103) for the DIN rail part number.)

* Refer to the SY3000/5000/7000 series catalog (CAT.ES11-103) for the fixation of DIN rail mounting type manifold.

Refer to the catalog of each series for details on manifold solenoid valve specifications, Common Precautions and Specific Product Precautions.

Refer to the SY3000/5000/7000 series catalog (CAT.ES11-103) for valve specifications.

How to Order Valves (With mounting screw)



1 Series

3	SY3000
5	SY5000
7	SY7000

2 Type of actuation

1		Single
2	2-position	Double
3	3-position	Closed center
4		Exhaust center
5		Pressure center
A*	4-position dual 3-port	N.C./N.C.
B*		N.O./N.O.
C*		N.C./N.O.

* Only rubber seal type is available for 4-position dual 3-port valves.

3 Seal type

0	Rubber seal
1	Metal seal

4 Pilot type

Nil	Internal pilot
R	External pilot

5 Back pressure check valve

Nil	None
H	Built-in

* Only rubber seal type. Manifold installed type is available if the back pressure check valve is required for a valve with metal seal. Refer to the SY3000/5000/7000 series catalog (CAT.ES11-103) for Ordering Example. However, it is not recommended to use built-in valve type and manifold installed type at the same time because it will reduce the flow.
* Built-in valve type back pressure check valve is not available for 3-position type and SY7000 series.

6 Pilot valve option

Nil	Standard (0.7 MPa)
B	Quick response type (0.7 MPa)
K*	High pressure type (1.0 MPa)

* Only metal seal type is available for high pressure type.

7 Coil type

Nil	Standard
T	With power saving circuit (Continuous duty type)

* Be sure to select power saving circuit type when the valve is continuously energized for long periods of time.
* Note the specified energizing time when power saving circuit is selected. Refer to the SY3000/5000/7000 series catalog (CAT.ES11-103) for details.

8 Rated voltage

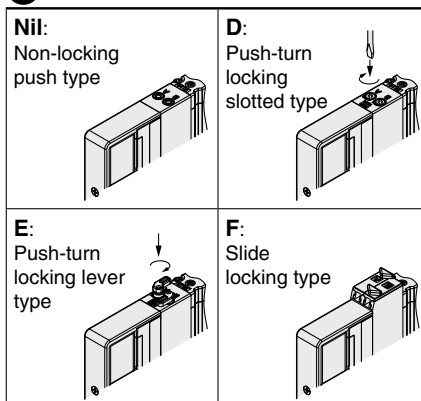
5	24 VDC
---	--------

9 Light/surge voltage suppressor and common specification

Symbol	With light	Surge voltage suppressor	Common specification
R	—	●	Non-polar
U	●		
S	—		Positive common
Z	●		
NS	—	Negative common	
NZ	●		

* Select a valve from R, U, S or Z when the SI Unit output polarity is positive common. Select a valve from R, U, NS or NZ when the SI Unit output polarity is negative common.
* Only "Z" and "NZ" types are available for the product with power saving circuit.

10 Manual override



* Refer to the SY3000/5000/7000 series catalog (CAT.ES11-103) for with safety slide locking manual override.

11 A, B port size

Thread piping

Symbol	Port size	Applicable series
M5	M5 x 0.8	SY3000
O1	1/8	SY5000
O2	1/4	SY7000

One-touch fitting (Metric)

Symbol	A, B port	SY3000	SY5000	SY7000
C2	ø2	●	—	—
C3	ø3.2	●	—	—
C4	ø4	●	●	—
C6	ø6	●	●	●
C8	ø8	—	●	●
C10	ø10	—	—	●
C12	ø12	—	—	●

One-touch fitting (Inch)

Symbol	A, B port	SY3000	SY5000	SY7000
N1	ø1/8"	●	—	—
N3	ø5/32"	●	●	—
N7	ø1/4"	●	●	●
N9	ø5/16"	—	●	●
N11	ø3/8"	—	—	●

12 Thread type

Nil	Rc
F	G
N	NPT
T	NPTF

* Only Nil is available for M5.

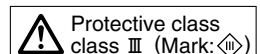
13 Type of mounting screw

Nil	Round head combination screw
B	Hexagon socket head cap screw
K	Round head combination screw (Falling-out-prevention type)
H	Hexagon socket head cap screw (Falling-out-prevention type)

* For "K" and "H", the valve body cover has a drop prevention construction to stop the mounting screws from falling out when the valve is removed for maintenance etc.

* **When ordering a valve individually, the base gasket is not included.** Since the base gasket is attached to the manifold, please order the base gasket separately if it is needed for maintenance service. Refer to the SY3000/5000/7000 series catalog (CAT.ES11-103) for part numbers of the base gasket and mounting screw.

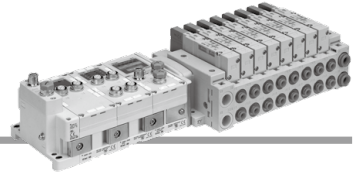
* "B" and "H" cannot be selected for the individual SUP/EXH spacer assembly or interface regulator.



EX600

5 Port Solenoid Valve

Series SV1000/2000/3000



How to Order Manifold

● Tie-rod Base

SS5V 1 - 10S6 Q - D - 05 U - C6 -

Series

1	SV1000
2	SV2000
3	SV3000

Enclosure

Nil	IP40
W	IP67

- When I/O Unit EX600-D□□E or EX600-D□□F are selected, enclosure is IP40. Refer to page 64 for details.

SI Unit

0	Without SI Unit
Q	DeviceNet™
N	PROFIBUS DP
V	CC-Link
ZE	EtherNet/IP™ (1 port)
EA	EtherNet/IP™ (2 ports)
D	EtherCAT®
F	PROFINET

- When "Without SI Unit" is specified, I/O Unit cannot be mounted.
- When "Without SI Unit" is specified, a valve plate which connects the valve manifold and SI Unit, is not mounted. Refer to page 65 for mounting method.

End plate type

Nil	No end plate
2	Power supply with M12 connector (Max. supplied current 2 A)
3	Power supply with 7/8 inch connector (Max. supplied current 8 A)

- Without SI Unit, the symbol is nil.

SI Unit output polarity

Nil	Positive common
N	Negative common

- Without SI Unit, the symbol is nil.

I/O Unit stations

Nil	None
1	1 station
:	:
9	9 stations

- Without SI Unit, the symbol is nil.
- SI Unit is not included in I/O Unit stations.
- When I/O Unit is selected, it is shipped separately and assembled by users. Refer to the attached operation manual for mounting method.

Mounting

Nil	Direct mounting
D	DIN rail mounting (With DIN rail)
D0 ^{Note 1)}	DIN rail mounting (Without DIN rail)
D3	For 3 stations
:	:
D20	For 20 stations

- Note 1) In the case of D0, only DIN rail mounting bracket is attached.
- Note 2) DIN rail is not attached (but shipped together) on the manifold in the case of with DIN rail. Refer to the SV series catalog for mounting method.
- Note 3) When selecting the DIN rail mounting (with DIN rail) of the SV3000 series, and 9 I/O Unit stations will result in a total of 18 valve stations. With 19 and 20 stations, the DIN rail mounting (with DIN rail) cannot be indicated, so please exercise caution. (Refer to "DIN Rail Overall Length" on pages 45 and 46.)
- Note 4) When it is necessary to mount a DIN rail without an SI Unit, select D0 and order the DIN rail with required length separately by referring to L1 in the dimensions.

● SUP/EXH block assembly

Nil	Internal pilot
S ^{Note)}	Internal pilot, Built-in silencer
R	External pilot
RS ^{Note)}	External pilot, Built-in silencer

- Note) When built-in silencer type is used, keep the exhaust port from coming in direct contact with water or other liquids.

Valve stations

Symbol	Stations	Note
02	2 stations	Double wiring ^{Note 1)}
:	:	
16	16 stations	Specified layout ^{Note 2)} (Available up to 32 solenoids)
02	2 stations	
:	:	
20	20 stations	

- Note 1) Double wiring: single, double, 3-position and 4-position valves can be used on all manifold stations. Use of a single solenoid will result in an unused control signal. If this is not desired, order with a specified layout.
- Note 2) Specified layout: Indicate the wiring specifications on the manifold specification sheet. (Note that double, 3-position and 4-position valves cannot be used where single wiring has been specified.)

● P, E port entry

U	U side (2 to 10 stations)
D	D side (2 to 10 stations)
B	Both sides (2 to 20 stations)

A, B port size (Metric)

Symbol	A, B port	P, E port	Applicable series
C3	ø3.2 One-touch fitting	ø8 One-touch fitting	SV1000
C4	ø4 One-touch fitting		
C6	ø6 One-touch fitting		
C4	ø4 One-touch fitting	ø10 One-touch fitting	SV2000
C6	ø6 One-touch fitting		
C8	ø8 One-touch fitting		
C6	ø6 One-touch fitting	ø12 One-touch fitting	SV3000
C8	ø8 One-touch fitting		
C10	ø10 One-touch fitting		
M	A, B port mixed		

A, B port size (Inch)

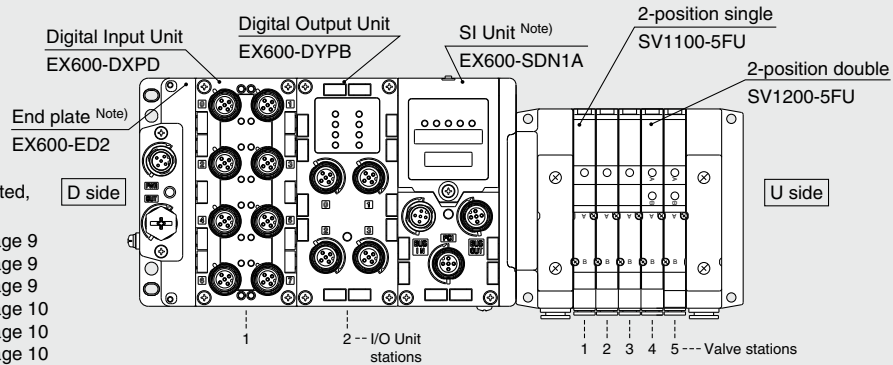
Symbol	A, B port	P, E port	Applicable series
N1	ø1/8" One-touch fitting	ø5/16" One-touch fitting	SV1000
N3	ø5/32" One-touch fitting		
N7	ø1/4" One-touch fitting		
N3	ø5/32" One-touch fitting	ø3/8" One-touch fitting	SV2000
N7	ø1/4" One-touch fitting		
N9	ø5/16" One-touch fitting		
N7	ø1/4" One-touch fitting	ø3/8" One-touch fitting	SV3000
N9	ø5/16" One-touch fitting		
N11	ø3/8" One-touch fitting		
M	A, B port mixed		

* In the case of mixed specifications (M), indicate separately on the manifold specification sheet.

* The X and PE port size of External pilot type (R), and X port size of External pilot, Built-in silencer type (RS) are ø4 (mm) or ø5/32" (inch) for the SV1000/2000 series, and ø6 (mm) or ø1/4" (inch) for the SV3000 series.

How to Order Manifold Assembly

Example (SS5V1)



For the I/O Unit part number mounted, refer to the following pages.

- Digital Input Unit Page 9
- Digital Output Unit Page 9
- Digital Input/Output Unit Page 9
- Analog Input Unit Page 10
- Analog Output Unit Page 10
- Analog Input/Output Unit Page 10

SS5V1-W10S6Q2N2D-05B-C6 1 set	Manifold base part number	Enter in order starting from the first station on the D side. If the arrangement becomes complicated, specify on the manifold specification sheet.
* SV1100-5FU 3 sets	Valve part number (Stations 1 to 3)	
* SV1200-5FU 2 sets	Valve part number (Stations 4 to 5)	Enter in order starting from the first station on the D side. If the arrangement becomes complicated, specify on the manifold specification sheet.
* EX600-DXPD 1 set	I/O Unit part number (Station 1)	
* EX600-DYPB 1 set	I/O Unit part number (Station 2)	Note) Do not enter the SI Unit part number and the end plate part number together.

→The asterisk denotes the symbol for assembly.
Prefix it to the part numbers of the solenoid valve etc.

How to Order Valves

SV 1 1 00 - 5 FU

Series

1	SV1000
2	SV2000
3	SV3000

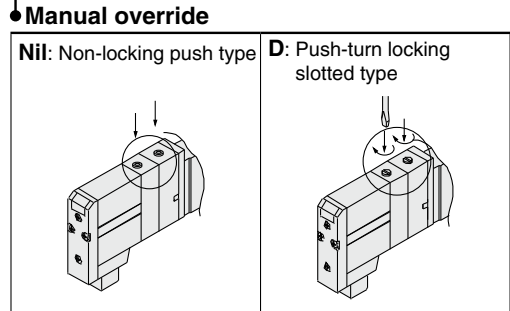
Made to Order

Nil	—
X90	Fluororubber specification

Type of actuation

1	2-position single
2	2-position double
3	3-position closed center
4	3-position exhaust center
5	3-position pressure center
A	4-position dual 3-port valve (N.C./N.C.)
B	4-position dual 3-port valve (N.O./N.O.)
C	4-position dual 3-port valve (N.C./N.O.)

* 4-position dual 3-port valves are applicable to the SV1000/2000 series only.



Pilot type

Nil	Internal pilot
R	External pilot

* External pilot type is not available for 4-position dual 3-port valves.

Light/surge voltage suppressor

U	With light/surge voltage suppressor
R	With surge voltage suppressor

Rated voltage

5	24 VDC
---	--------

Back pressure check valve

Nil	None
K	Built-in

* Built-in back pressure check valve type is applicable to the SV1000 series only.

* The product with a back pressure check valve is not available for 3-position valves.

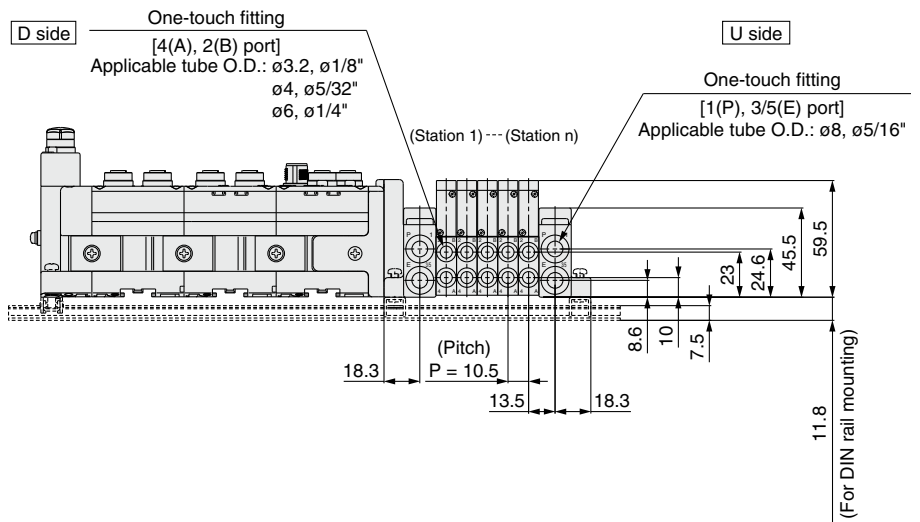
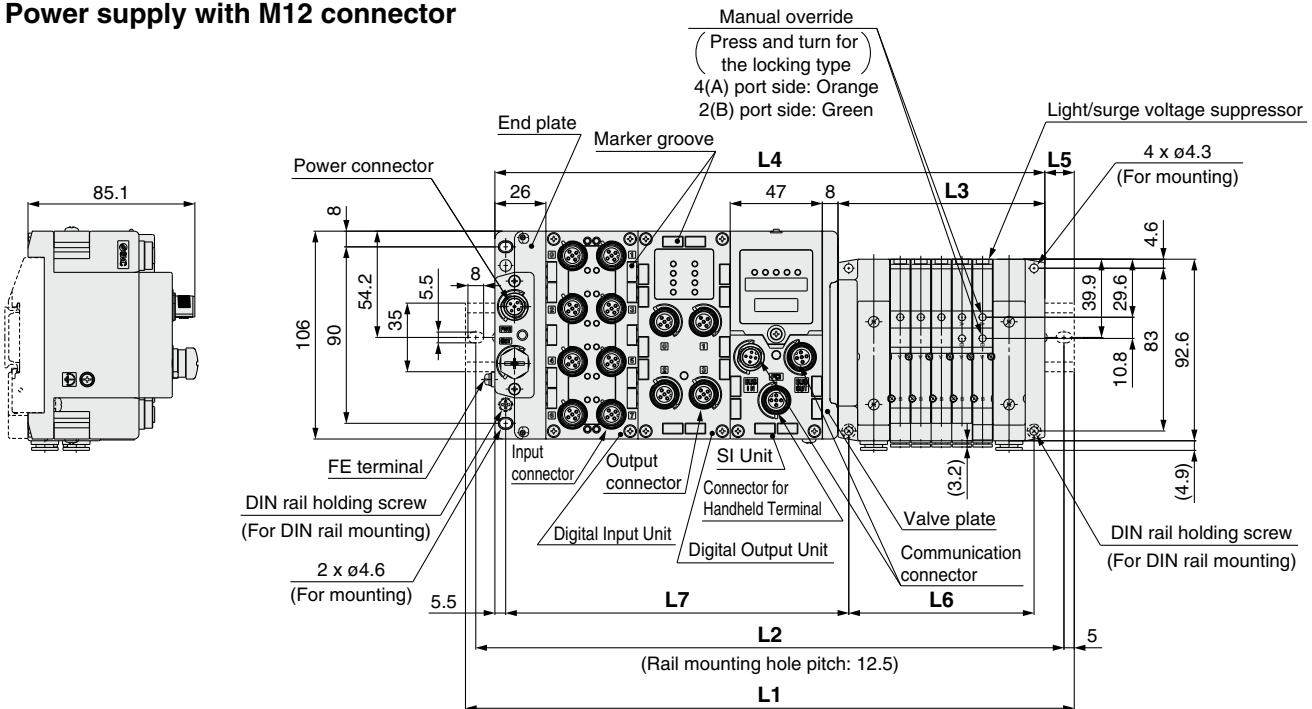
Refer to the catalog of each series for details on manifold solenoid valve specifications, Common Precautions and Specific Product Precautions.

Series SV1000/2000/3000

Series SV1000

Dimensions

Power supply with M12 connector



$$L2 = L1 - 10.5$$

$$L3 = 10.5 \times n1 + 53$$

$$L4 = L3 + 81 + 47 \times n2$$

$$L5 = (L1 - L4)/2$$

$$L6 = 10.5 \times n1 + 42$$

$$L7 = 47 \times n2 + 81$$

n1: Valve stations
n2: I/O Unit stations

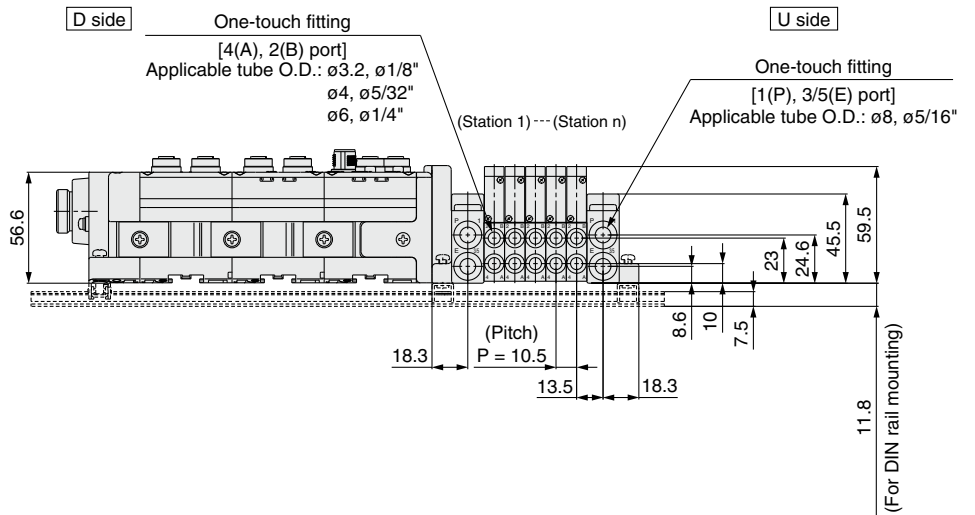
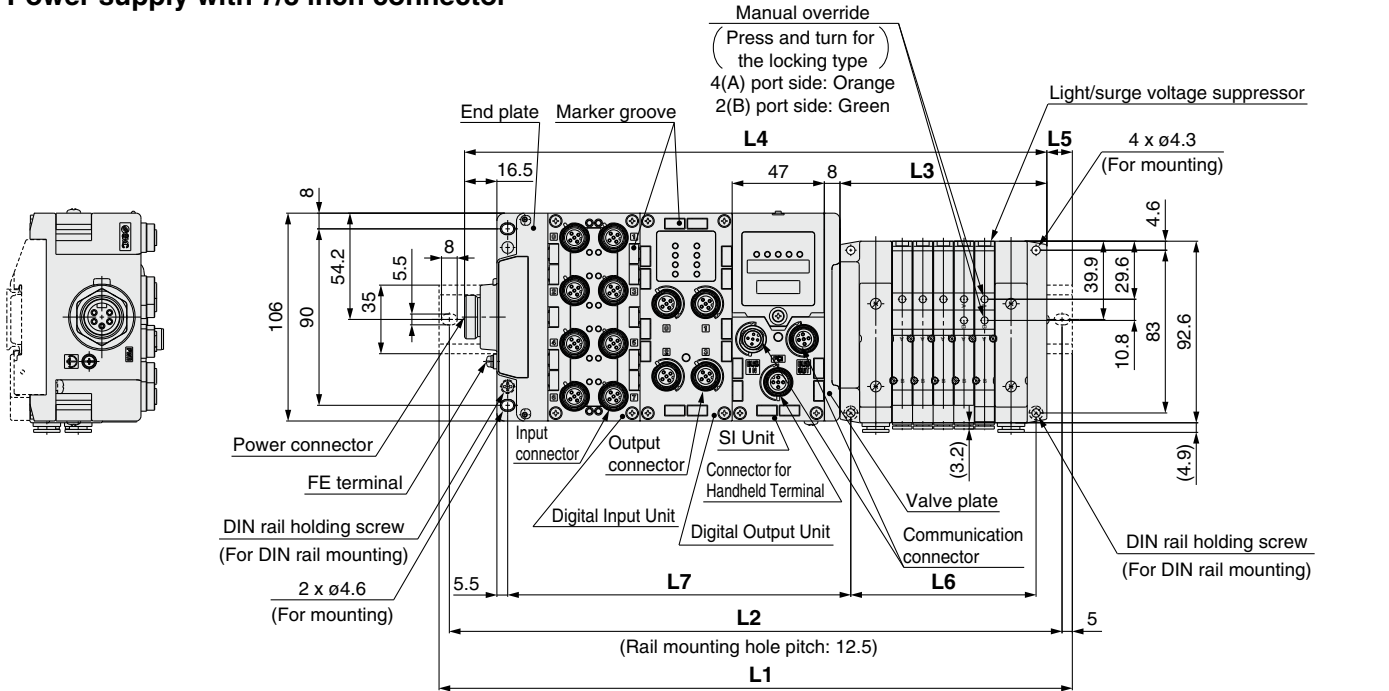
L1: DIN Rail Overall Length

Valve stations (n1) / I/O Unit stations (n2)	[mm]																			
	2	3	4	5	6	7	8	9	10	11	12	13	14	15	16	17	18	19	20	
0	185.5	198	210.5	210.5	223	235.5	248	260.5	273	273	285.5	298	310.5	323	335.5	348	348	360.5	373	
1	235.5	248	248	260.5	273	285.5	298	310.5	310.5	323	335.5	348	360.5	373	373	385.5	398	410.5	423	
2	273	285.5	298	310.5	323	335.5	335.5	348	360.5	373	385.5	398	410.5	410.5	423	435.5	448	460.5	473	
3	323	335.5	348	360.5	373	373	385.5	398	410.5	423	435.5	435.5	448	460.5	473	485.5	498	498	510.5	
4	373	385.5	398	398	410.5	423	435.5	448	460.5	473	473	485.5	498	510.5	523	535.5	535.5	548	560.5	
5	423	435.5	435.5	448	460.5	473	485.5	498	498	510.5	523	535.5	548	560.5	560.5	573	585.5	598	610.5	
6	460.5	473	485.5	498	510.5	523	535.5	535.5	548	560.5	573	585.5	598	598	610.5	623	635.5	648	660.5	
7	510.5	523	535.5	548	560.5	560.5	573	585.5	598	610.5	623	623	635.5	648	660.5	673	685.5	698	698	
8	560.5	573	585.5	598	598	610.5	623	635.5	648	660.5	660.5	673	685.5	698	710.5	723	723	735.5	748	
9	610.5	623	623	635.5	648	660.5	673	685.5	685.5	698	710.5	723	735.5	748	760.5	760.5	773	785.5	798	

Dimensions

Series SV1000

Power supply with 7/8 inch connector



L2 = L1 - 10.5
 L3 = 10.5 x n1 + 53
 L4 = L3 + 97.5 + 47 x n2
 L5 = (L1 - L4)/2
 L6 = 10.5 x n1 + 42
 L7 = 47 x n2 + 81

n1: Valve stations
n2: I/O Unit stations

L1: DIN Rail Overall Length

Valve stations (n1) I/O Unit stations (n2)	[mm]																			
	2	3	4	5	6	7	8	9	10	11	12	13	14	15	16	17	18	19	20	
0	198	210.5	223	235.5	248	248	260.5	273	285.5	298	310.5	310.5	323	335.5	348	360.5	373	385.5	385.5	
1	248	260.5	273	285.5	285.5	298	310.5	323	335.5	348	348	360.5	373	385.5	398	410.5	410.5	423	435.5	
2	298	310.5	310.5	323	335.5	348	360.5	373	373	385.5	398	410.5	423	435.5	448	448	460.5	473	485.5	
3	348	348	360.5	373	385.5	398	410.5	410.5	423	435.5	448	460.5	473	473	485.5	498	510.5	523	535.5	
4	385.5	398	410.5	423	435.5	435.5	448	460.5	473	485.5	498	510.5	510.5	523	535.5	548	560.5	573	573	
5	435.5	448	460.5	473	473	485.5	498	510.5	523	535.5	535.5	548	560.5	573	585.5	598	598	610.5	623	
6	485.5	498	498	510.5	523	535.5	548	560.5	573	573	585.5	598	610.5	623	635.5	635.5	648	660.5	673	
7	535.5	535.5	548	560.5	573	585.5	598	598	610.5	623	635.5	648	660.5	660.5	673	685.5	698	710.5	723	
8	573	585.5	598	610.5	623	635.5	635.5	648	660.5	673	685.5	698	698	710.5	723	735.5	748	760.5	760.5	
9	623	635.5	648	660.5	660.5	673	685.5	698	710.5	723	723	735.5	748	760.5	773	785.5	798	798	810.5	

Series EX600

Series SY

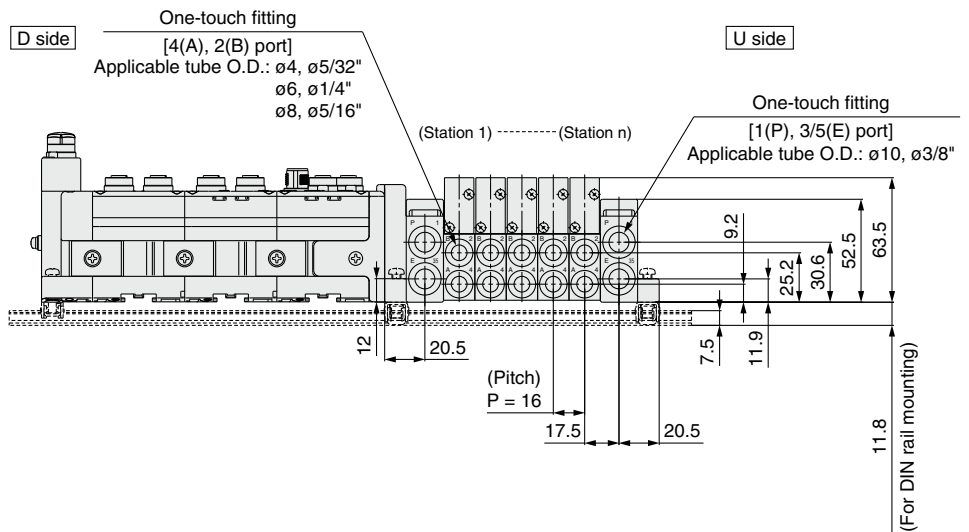
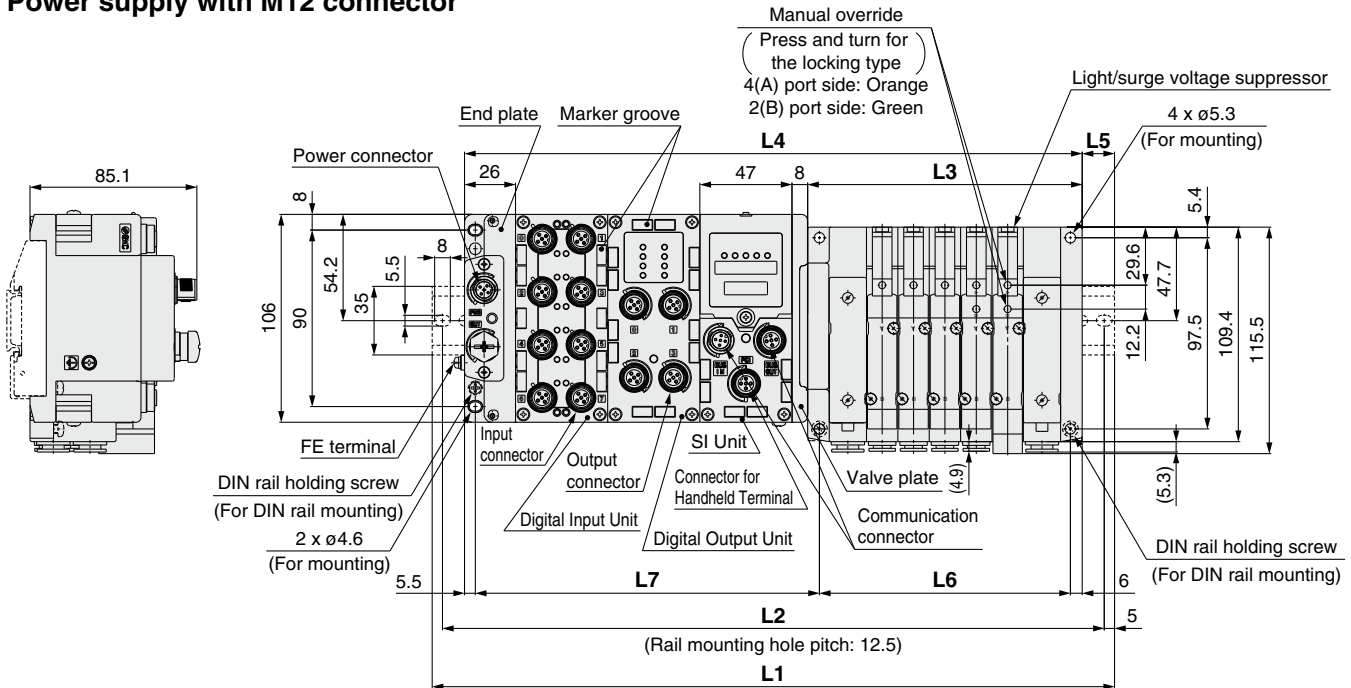
Series SV

Series S0700

Series VQC

Dimensions

Power supply with M12 connector



$$L2 = L1 - 10.5$$

$$L3 = 16 \times n1 + 60$$

$$L4 = L3 + 81 + 47 \times n2$$

$$L5 = (L1 - L4) / 2$$

$$L6 = 16 \times n1 + 48$$

$$L7 = 47 \times n2 + 81.5$$

n1: Valve stations
n2: I/O Unit stations

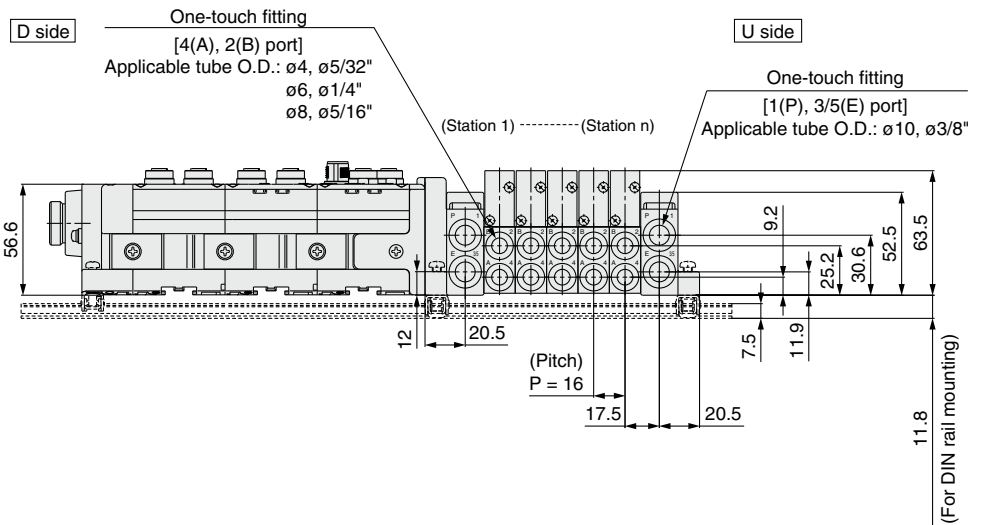
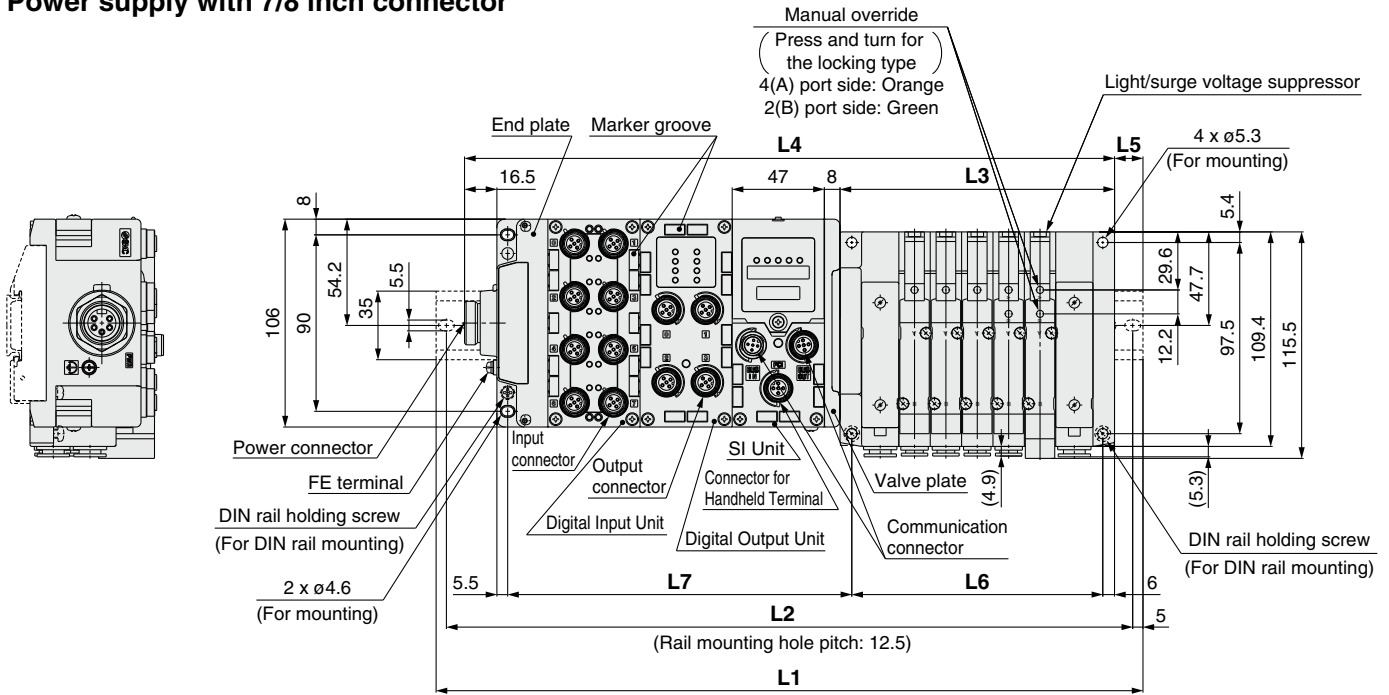
L1: DIN Rail Overall Length

Valve stations (n1) / I/O Unit stations (n2)	[mm]																			
	2	3	4	5	6	7	8	9	10	11	12	13	14	15	16	17	18	19	20	
0	198	223	235.5	248	260.5	285.5	298	310.5	335.5	348	360.5	373	398	410.5	423	448	460.5	473	485.5	
1	248	260.5	285.5	298	310.5	335.5	348	360.5	373	398	410.5	423	435.5	460.5	473	485.5	510.5	523	535.5	
2	298	310.5	323	348	360.5	373	398	410.5	423	435.5	460.5	473	485.5	510.5	523	535.5	548	573	585.5	
3	348	360.5	373	385.5	410.5	423	435.5	460.5	473	485.5	498	523	535.5	548	573	585.5	598	610.5	635.5	
4	385.5	410.5	423	435.5	460.5	473	485.5	498	523	535.5	548	560.5	585.5	598	610.5	635.5	648	660.5	673	
5	435.5	448	473	485.5	498	523	535.5	548	560.5	585.5	598	610.5	635.5	648	660.5	673	698	710.5	723	
6	485.5	498	510.5	535.5	548	560.5	585.5	598	610.5	623	648	660.5	673	698	710.5	723	735.5	760.5	773	
7	535.5	548	560.5	585.5	598	610.5	623	648	660.5	673	685.5	710.5	723	735.5	760.5	773	785.5	798	823	
8	573	598	610.5	623	648	660.5	673	685.5	710.5	723	735.5	760.5	773	785.5	798	823	835.5	848	860.5	
9	623	635.5	660.5	673	685.5	710.5	723	735.5	748	773	785.5	798	823	835.5	848	860.5	885.5	898	910.5	

Dimensions

Series SV2000

Power supply with 7/8 inch connector



$L2 = L1 - 10.5$
 $L3 = 16 \times n1 + 60$
 $L4 = L3 + 97.5 + 47 \times n2$
 $L5 = (L1 - L4) / 2$
 $L6 = 16 \times n1 + 48$
 $L7 = 47 \times n2 + 81.5$

n1: Valve stations
n2: I/O Unit stations

L1: DIN Rail Overall Length

Valve stations (n1) I/O Unit stations (n2)	2	3	4	5	6	7	8	9	10	11	12	13	14	15	16	17	18	19	20
0	223	235.5	248	273	285.5	298	310.5	335.5	348	360.5	373	398	410.5	423	448	460.5	473	485.5	510.5
1	260.5	285.5	298	310.5	335.5	348	360.5	373	398	410.5	423	448	460.5	473	485.5	510.5	523	535.5	548
2	310.5	323	348	360.5	373	398	410.5	423	435.5	460.5	473	485.5	510.5	523	535.5	548	573	585.5	598
3	360.5	373	398	410.5	423	435.5	460.5	473	485.5	498	523	535.5	548	573	585.5	598	610.5	635.5	648
4	410.5	423	435.5	460.5	473	485.5	498	523	535.5	548	573	585.5	598	610.5	635.5	648	660.5	673	698
5	448	473	485.5	498	523	535.5	548	560.5	585.5	598	610.5	635.5	648	660.5	673	698	710.5	723	748
6	498	523	535.5	548	560.5	585.5	598	610.5	623	648	660.5	673	698	710.5	723	735.5	760.5	773	785.5
7	548	560.5	585.5	598	610.5	623	648	660.5	673	698	710.5	723	735.5	760.5	773	785.5	798	823	835.5
8	598	610.5	623	648	660.5	673	685.5	710.5	723	735.5	760.5	773	785.5	798	823	835.5	848	873	885.5
9	648	660.5	673	685.5	710.5	723	735.5	748	773	785.5	798	823	835.5	848	860.5	885.5	898	910.5	935.5

Series EX600

Series SY

Series SV

Series S0700

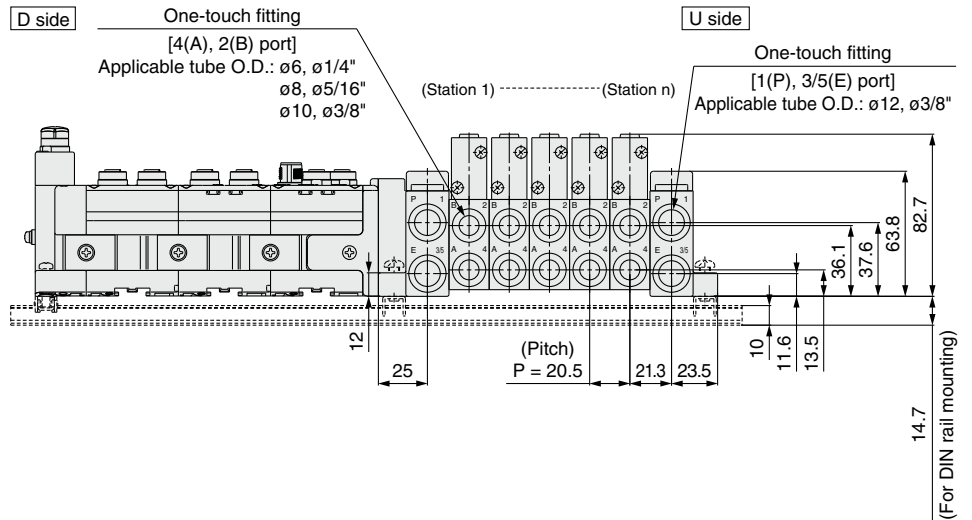
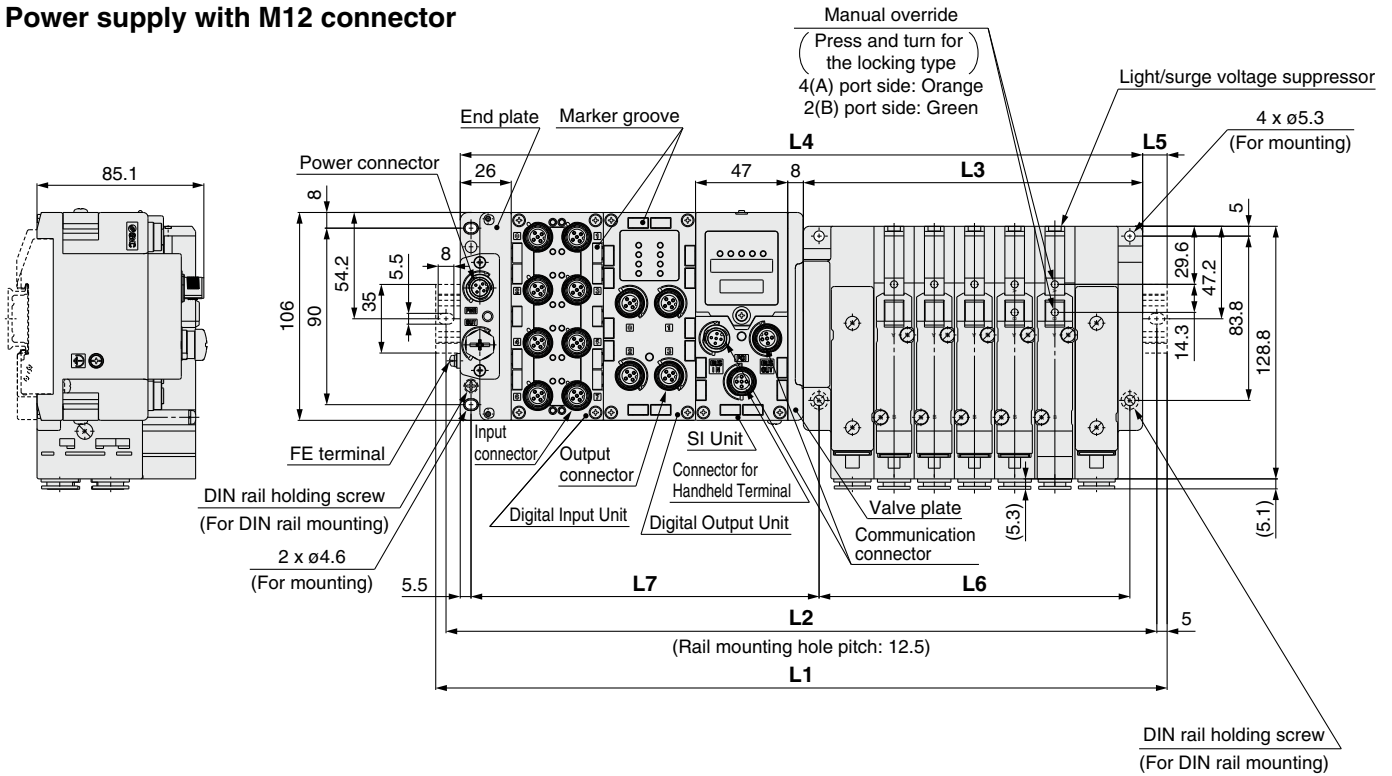
Series VQC

Series SV1000/2000/3000

Series **SV3000**

Dimensions

Power supply with M12 connector



$L2 = L1 - 10.5$
 $L3 = 20.5 \times n1 + 70.5$
 $L4 = L3 + 81 + 47 \times n2$
 $L5 = (L1 - L4)/2$
 $L6 = 20.5 \times n1 + 56$
 $L7 = 47 \times n2 + 83.5$

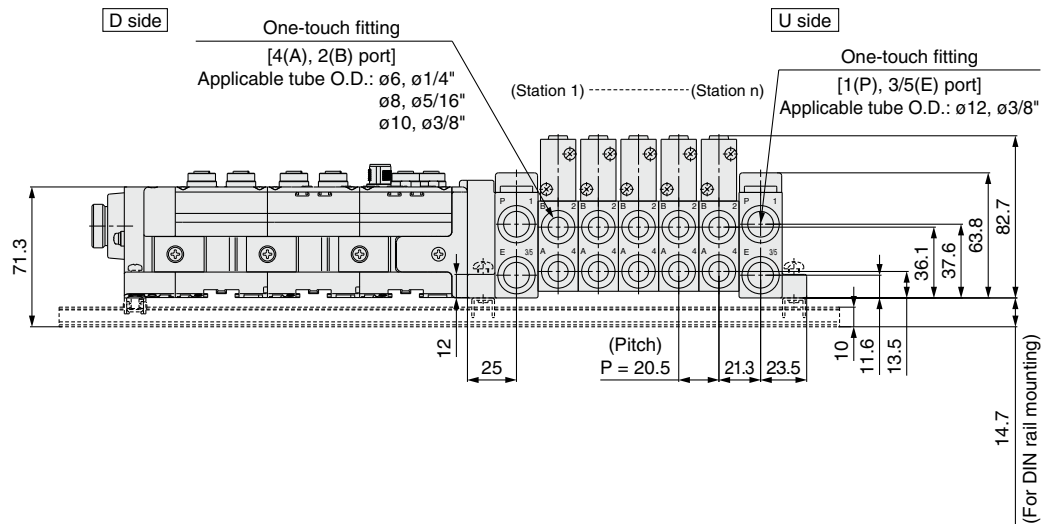
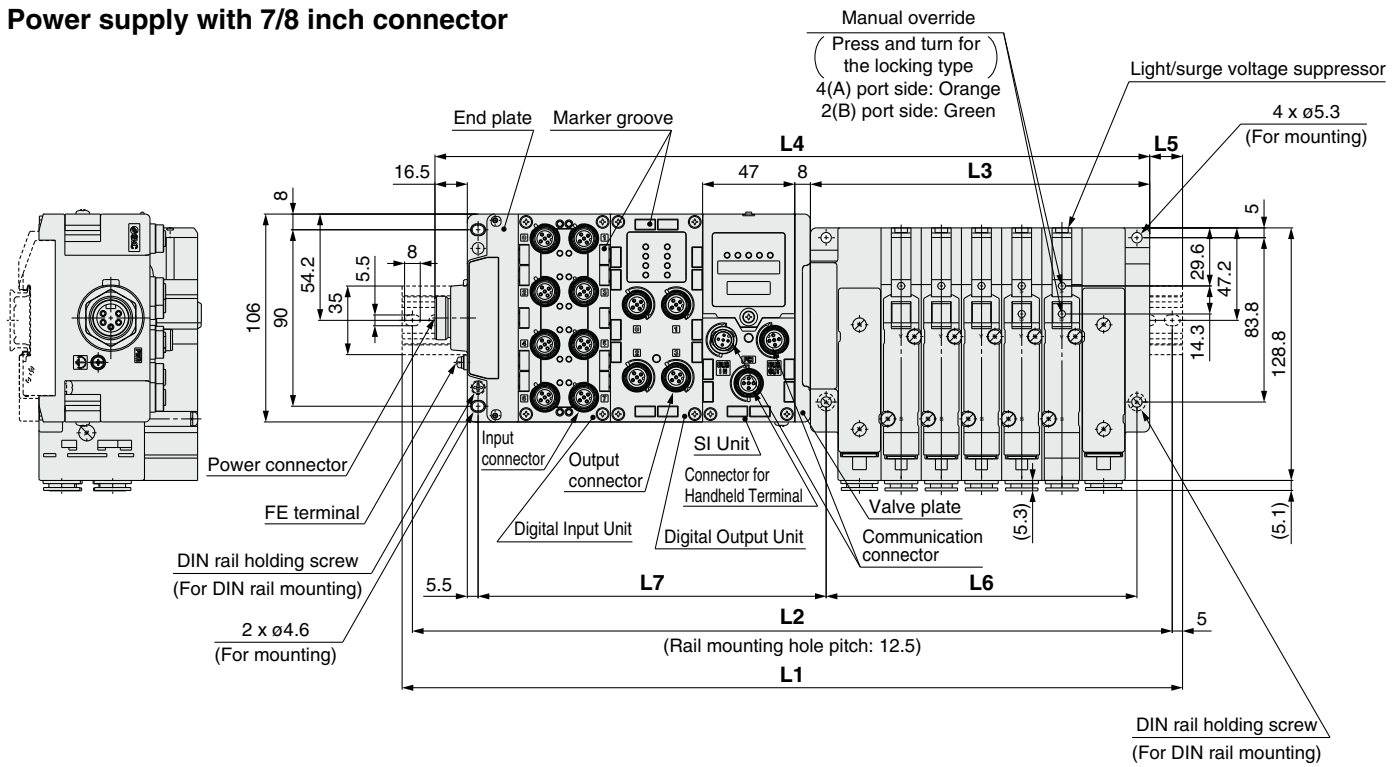
n1: Valve stations
n2: I/O Unit stations

L1: DIN Rail Overall Length

Valve stations (n1) I/O Unit stations (n2)	[mm]																			
	2	3	4	5	6	7	8	9	10	11	12	13	14	15	16	17	18	19	20	
0	223	248	260.5	285.5	298	323	348	360.5	385.5	410.5	423	448	473	485.5	510.5	535.5	548	573	585.5	
1	273	285.5	310.5	335.5	348	373	398	410.5	435.5	448	473	498	510.5	535.5	560.5	573	598	623	635.5	
2	310.5	335.5	360.5	373	398	423	435.5	460.5	485.5	498	523	535.5	560.5	585.5	598	623	648	660.5	685.5	
3	360.5	385.5	398	423	448	460.5	485.5	510.5	523	548	573	585.5	610.5	635.5	648	673	685.5	710.5	735.5	
4	410.5	435.5	448	473	498	510.5	535.5	548	573	598	610.5	635.5	660.5	673	698	723	735.5	760.5	773	
5	460.5	473	498	523	535.5	560.5	585.5	598	623	635.5	660.5	685.5	698	723	748	760.5	785.5	810.5	823	
6	498	523	548	560.5	585.5	610.5	623	648	673	685.5	710.5	735.5	748	773	785.5	810.5	835.5	848	873	
7	548	573	598	610.5	635.5	648	673	698	710.5	735.5	760.5	773	798	823	835.5	860.5	873	898	923	
8	598	623	635.5	660.5	685.5	698	723	735.5	760.5	785.5	798	823	848	860.5	885.5	910.5	923	948	973	
9	648	660.5	685.5	710.5	723	748	773	785.5	810.5	835.5	848	873	885.5	910.5	935.5	948	973	—	—	

Dimensions

Power supply with 7/8 inch connector



$L2 = L1 - 10.5$
 $L3 = 20.5 \times n1 + 70.5$
 $L4 = L3 + 97.5 + 47 \times n2$
 $L5 = (L1 - L4)/2$
 $L6 = 20.5 \times n1 + 56$
 $L7 = 47 \times n2 + 83.5$

n1: Valve stations
n2: I/O Unit stations

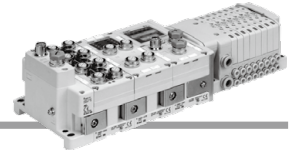
L1: DIN Rail Overall Length

Valve stations (n1) I/O Unit stations (n2)	2	3	4	5	6	7	8	9	10	11	12	13	14	15	16	17	18	19	20
0	235.5	260.5	285.5	298	323	335.5	360.5	385.5	398	423	448	460.5	485.5	510.5	523	548	560.5	585.5	610.5
1	285.5	310.5	323	348	373	385.5	410.5	423	448	473	485.5	510.5	535.5	548	573	598	610.5	635.5	660.5
2	335.5	348	373	398	410.5	435.5	460.5	473	498	523	535.5	560.5	573	598	623	635.5	660.5	685.5	698
3	385.5	398	423	435.5	460.5	485.5	498	523	548	560.5	585.5	610.5	623	648	660.5	685.5	710.5	723	748
4	423	448	473	485.5	510.5	523	548	573	585.5	610.5	635.5	648	673	698	710.5	735.5	760.5	773	798
5	473	498	510.5	535.5	560.5	573	598	623	635.5	660.5	673	698	723	735.5	760.5	785.5	798	823	848
6	523	535.5	560.5	585.5	598	623	648	660.5	685.5	710.5	723	748	760.5	785.5	810.5	823	848	873	885.5
7	573	585.5	610.5	623	648	673	685.5	710.5	735.5	748	773	798	810.5	835.5	860.5	873	898	910.5	935.5
8	610.5	635.5	660.5	673	698	723	735.5	760.5	773	798	823	835.5	860.5	885.5	898	923	948	960.5	985.5
9	660.5	685.5	698	723	748	760.5	785.5	810.5	823	848	860.5	885.5	910.5	923	948	973	985.5	—	—

EX600

5 Port Solenoid Valve

Series S0700



How to Order Manifold

SS0750-08 C4 SD6Q 2 N 1 - B

Valve stations

Symbol	Stations
01	1 station
⋮	⋮
24 ^{Note)}	24 stations

Note) The maximum number of stations depends on the wiring specifications.

Cylinder port size

Symbol	Port size	
C2	With ø2 One-touch fitting	Metric
C3	With ø3.2 One-touch fitting	
C4	With ø4 One-touch fitting	
CM	Mixed sizes and with port plug ^{Note)}	Inch
N1	With ø1/8" One-touch fitting	
N3	With ø5/32" One-touch fitting	
NM	Mixed sizes and with port plug ^{Note)}	

Note) Indicate the sizes on the manifold specification sheet in the case of "CM" and "NM".

SI Unit specifications

Symbol	Protocol	Stations	Max. number of stations for special wiring specification	Max. number of solenoids
SD60	Without SI Unit	1 to 16 stations	24 stations ^{Note)}	32
SD6Q	DeviceNet™			
SD6N	PROFIBUS DP			
SD6V	CC-Link			
SD6ZE	EtherNet/IP™ (1 port)			
SD6EA	EtherNet/IP™ (2 ports)			
SD6D	EtherCAT®			
SD6F	PROFINET			

- The maximum number of stations depends on the number of solenoids. Add the option symbol "K" when the combination of single wiring and double wiring is specified.
 - When "Without SI Unit" is specified, a valve plate which connects the manifold and SI Unit, is not mounted. Refer to page 65 for mounting method.
 - When "Without SI Unit" is specified, I/O Unit cannot be mounted.
- Note) Up to 24 stations due to the structure of the manifold. Note the maximum number of stations is 24 for single wiring, too.

Type of actuation	Single type	Double, dual 3-port type
Number of solenoids	1	2

End plate type

Nil	No end plate
2	Power supply with M12 connector (Max. supplied current 2 A)
3	Power supply with 7/8 inch connector (Max. supplied current 8 A)

- Without SI Unit, the symbol is nil.

Option

Symbol	Option
Nil	None
B ^{Note 2)}	With back pressure check valve (All stations)
D	With DIN rail (Rail length: Standard)
D0	Without DIN rail (with bracket)
D□ ^{Note 3)}	With DIN rail (Rail length specified, □: Stations)
K ^{Note 4)}	Special wiring specification (Except double wiring)
N	With name plate
R	External pilot
S	Built-in silencer

- Note 1) When multiple symbols are specified, indicate them alphabetically. Example) "-BKN"
- Note 2) When a back pressure check valve is used only for specified station, specify the back pressure check valve part number, and specify the station number to which the valve is mounted, on the manifold specification sheet.
- Note 3) Specified station number shall be longer than manifold station number.
- Note 4) When single wiring and double wiring are mixed, specify wiring type of each station on the manifold specification sheet.
- Note 5) When "Without SI Unit" is specified, "With DIN rail (D)" cannot be selected.

I/O Unit stations

Nil	None
1	1 station
⋮	⋮
9	9 stations

- Without SI Unit, the symbol is nil.
- SI Unit is not included in I/O Unit stations.
- When I/O Unit is selected, it is shipped separately and assembled by users. Refer to the attached operation manual for mounting method.

SI Unit output polarity

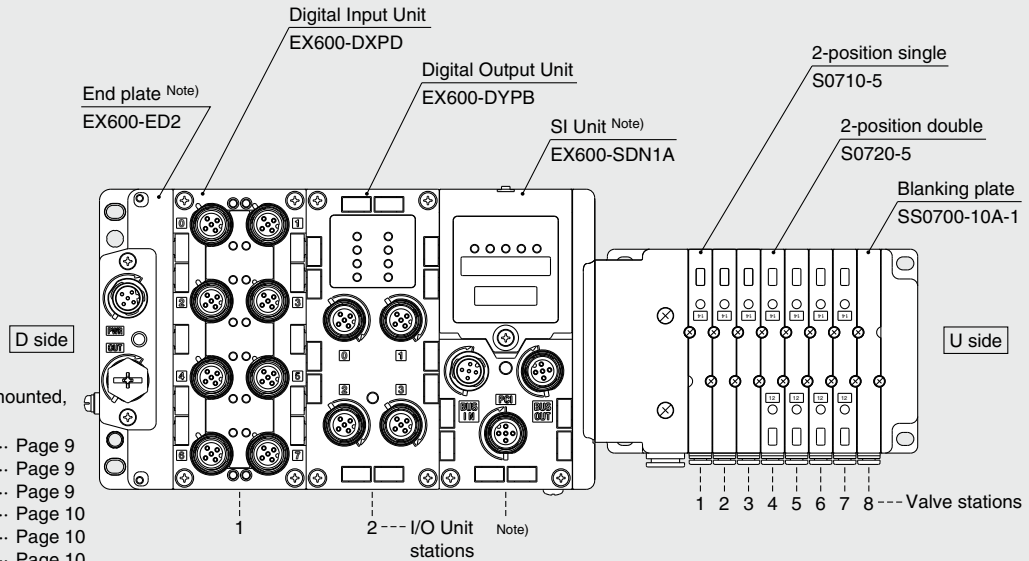
Nil	Positive common
N	Negative common

- Without SI Unit, the symbol is nil.

Refer to the catalog of each series for details on manifold solenoid valve specifications, Common Precautions and Specific Product Precautions.

How to Order Manifold Assembly

Example



For the I/O Unit part number mounted, refer to the following pages.

- Digital Input Unit Page 9
- Digital Output Unit Page 9
- Digital Input/Output Unit Page 9
- Analog Input Unit Page 10
- Analog Output Unit Page 10
- Analog Input/Output Unit Page 10

- | | |
|-------------------------------|--|
| SS0750-08C4SD6Q2N2 1 set | Manifold base part number |
| * S0710-5 3 sets | Valve part number (Stations 1 to 3) |
| * S0720-5 4 sets | Valve part number (Stations 4 to 7) |
| * SS0700-10A-1 1 set | Blanking plate part number (Station 8) |
| * EX600-DXP 1 set | I/O Unit part number (Station 1) |
| * EX600-DYPB 1 set | I/O Unit part number (Station 2) |

Enter in order starting from the first station on the D side.
If the arrangement becomes complicated, specify on the manifold specification sheet.

Enter in order starting from the first station on the D side.

—The asterisk denotes the symbol for assembly.
Prefix it to the part numbers of the solenoid valve etc.

Note) Do not enter the SI Unit part number and the end plate part number together.

How to Order Valves

S07 1 0 - 5

Type of actuation	
1	<p>2-position single</p> <p>(A)4 2(B) (R1)5 13(R2) (P)</p> <p>A</p> <p>4-position dual 3-port valve (N.C. + N.C.) [Exhaust center]</p> <p>4(A) 2(B) 5(R1) 3(R2) 1(P)</p>
2	<p>2-position double</p> <p>(A)4 2(B) (R1)5 13(R2) (P)</p> <p>B</p> <p>4-position dual 3-port valve (N.O. + N.O.) [Pressure center]</p> <p>4(A) 2(B) 5(R1) 3(R2) 1(P)</p>
	<p>C</p> <p>4-position dual 3-port valve (N.C. + N.O.)</p> <p>4(A) 2(B) 5(R1) 3(R2) 1(P)</p>

• **Coil voltage**

5	24 VDC
---	--------

• **Function**

Symbol	Type
Nil	Standard
R	External pilot <small>Note)</small>

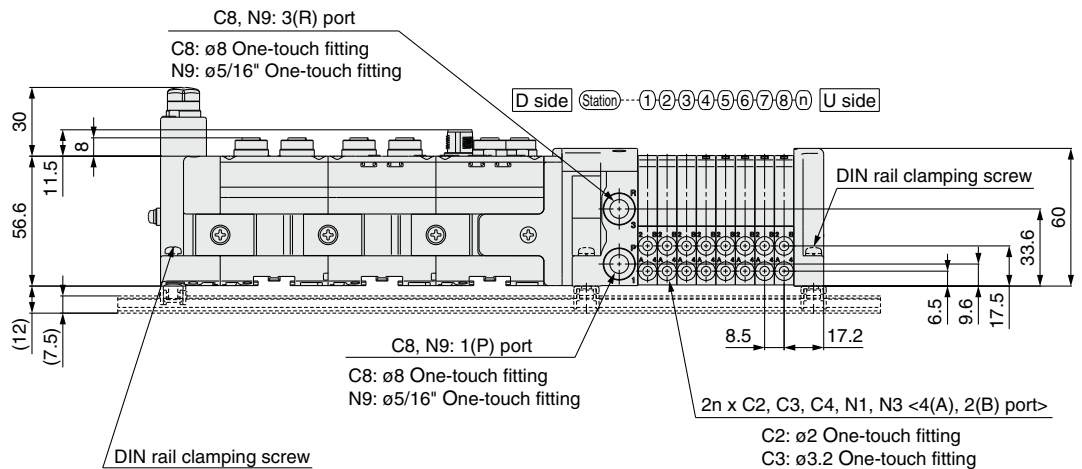
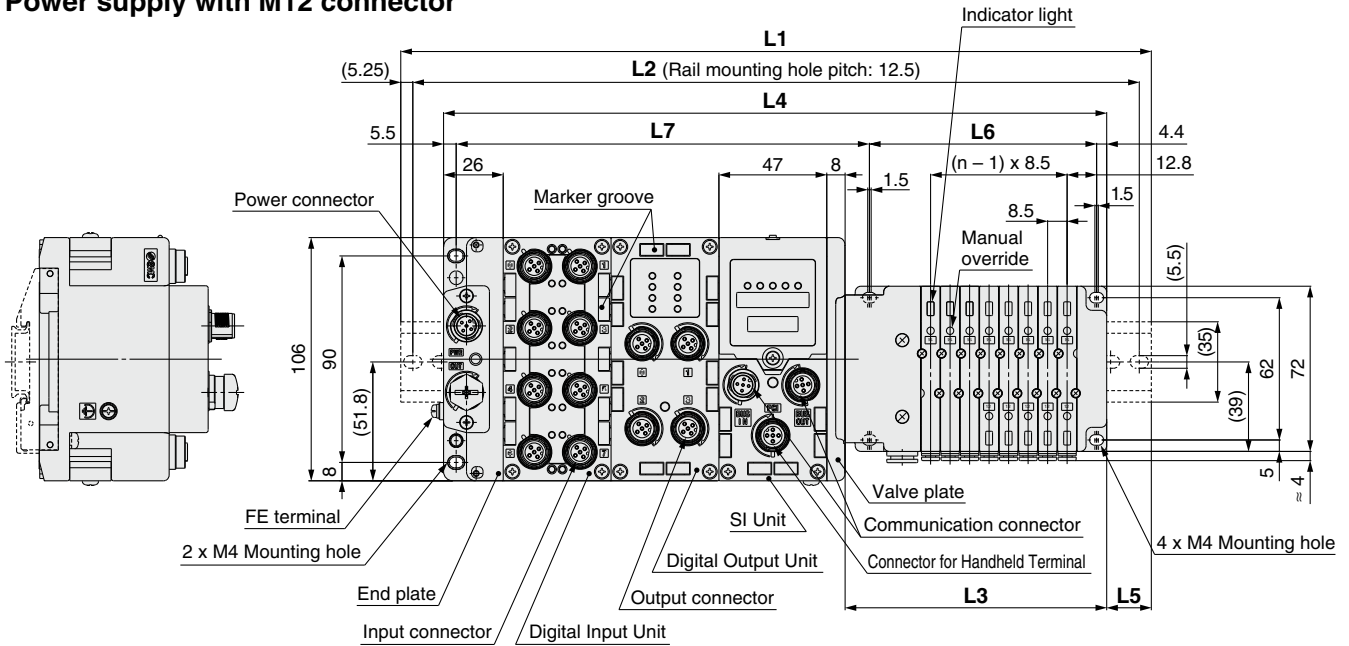
Note) Not applicable for dual 3-port valves

• **Base mounted plug-in**

Series S0700

Dimensions

Power supply with M12 connector



$$\begin{aligned}
 L2 &= L1 - 10.5 \\
 L3 &= 8.5 \times n1 + 46 \\
 L4 &= L3 + 81 + 47 \times n2 \\
 L5 &= (L1 - L4)/2 \\
 L6 &= 8.5 \times n1 + 31 \\
 L7 &= 47 \times n2 + 86.1
 \end{aligned}$$

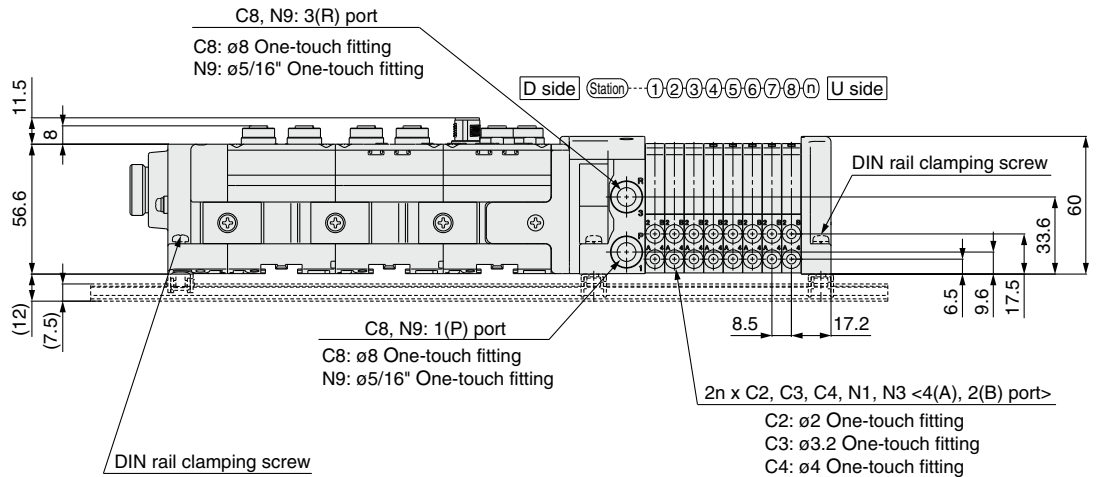
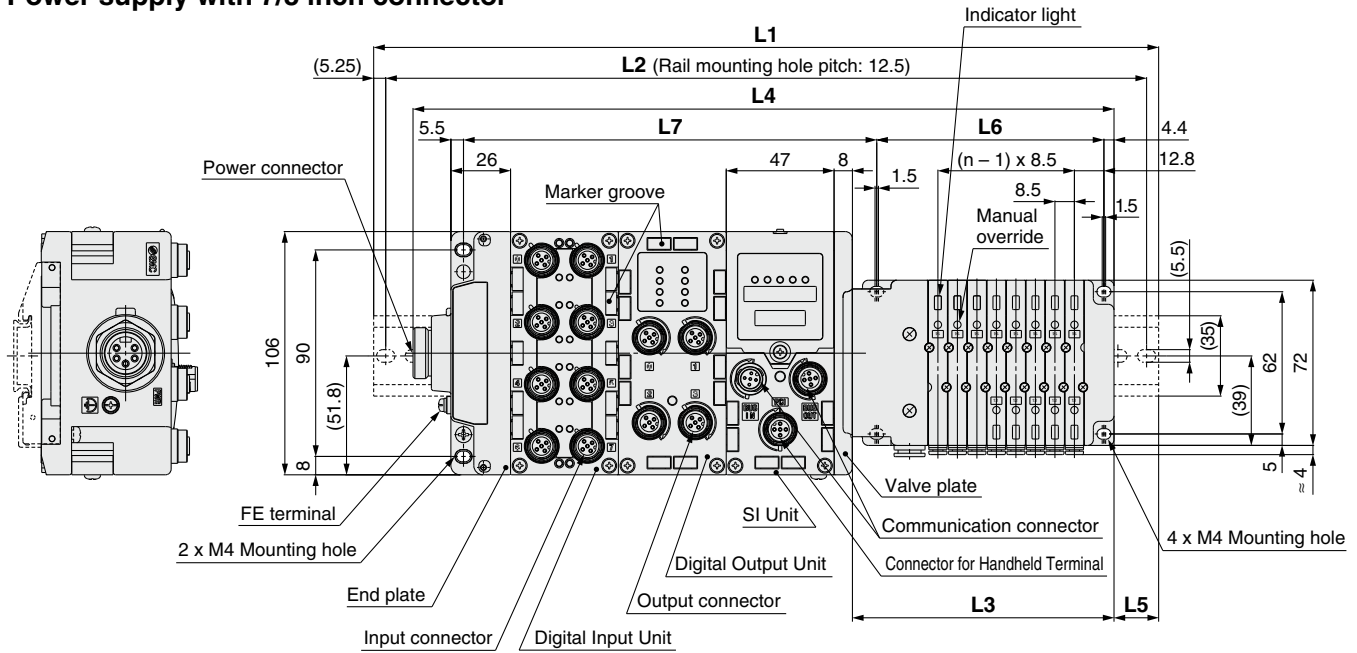
n1: Valve stations
n2: I/O Unit stations

L1: DIN Rail Overall Length

I/O Unit stations (n2) \ Valve stations (n1)	Valve stations (n1)																							
	1	2	3	4	5	6	7	8	9	10	11	12	13	14	15	16	17	18	19	20	21	22	23	24
0	173	185.5	185.5	198	210.5	210.5	223	235.5	235.5	248	260.5	260.5	273	285.5	285.5	298	310.5	310.5	323	335.5	335.5	348	360.5	373
1	223	223	235.5	248	248	260.5	273	273	285.5	298	298	310.5	323	323	335.5	348	360.5	360.5	373	385.5	385.5	398	410.5	410.5
2	260.5	273	285.5	285.5	298	310.5	310.5	323	335.5	348	348	360.5	373	373	385.5	398	398	410.5	423	423	435.5	448	448	460.5
3	310.5	323	335.5	335.5	348	360.5	360.5	373	385.5	385.5	398	410.5	410.5	423	435.5	435.5	448	460.5	460.5	473	485.5	485.5	498	510.5
4	360.5	373	373	385.5	398	398	410.5	423	423	435.5	448	448	460.5	473	473	485.5	498	498	510.5	523	535.5	535.5	548	560.5
5	410.5	410.5	423	435.5	435.5	448	460.5	460.5	473	485.5	485.5	498	510.5	523	523	535.5	548	548	560.5	573	573	585.5	598	598
6	448	460.5	473	473	485.5	498	510.5	510.5	523	535.5	535.5	548	560.5	560.5	573	585.5	585.5	598	610.5	610.5	623	635.5	635.5	648
7	498	510.5	523	523	535.5	548	548	560.5	573	573	585.5	598	598	610.5	623	623	635.5	648	648	660.5	673	673	685.5	698
8	548	560.5	560.5	573	585.5	585.5	598	610.5	610.5	623	635.5	635.5	648	660.5	660.5	673	685.5	698	698	710.5	723	723	735.5	748
9	598	598	610.5	623	623	635.5	648	648	660.5	673	685.5	685.5	698	710.5	710.5	723	735.5	735.5	748	760.5	760.5	773	785.5	785.5

Dimensions

Power supply with 7/8 inch connector



$$L2 = L1 - 10.5$$

$$L3 = 8.5 \times n1 + 46$$

$$L4 = L3 + 97.5 + 47 \times n2$$

$$L5 = (L1 - L4) / 2$$

$$L6 = 8.5 \times n1 + 31$$

$$L7 = 47 \times n2 + 86.1$$

n1: Valve stations
n2: I/O Unit stations

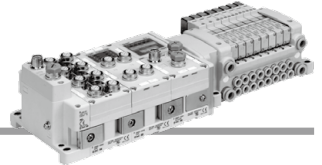
L1: DIN Rail Overall Length

I/O Unit stations (n2) \ Valve stations (n1)	Valve stations (n1)																							
	1	2	3	4	5	6	7	8	9	10	11	12	13	14	15	16	17	18	19	20	21	22	23	24
0	185.5	198	210.5	210.5	223	235.5	235.5	248	260.5	260.5	273	285.5	285.5	298	310.5	310.5	323	335.5	335.5	348	360.5	360.5	373	385.5
1	235.5	248	248	260.5	273	273	285.5	298	298	310.5	323	323	335.5	348	348	360.5	373	385.5	385.5	398	410.5	410.5	423	435.5
2	285.5	285.5	298	310.5	310.5	323	335.5	335.5	348	360.5	373	373	385.5	398	398	410.5	423	423	435.5	448	448	460.5	473	473
3	323	335.5	348	360.5	360.5	373	385.5	385.5	398	410.5	410.5	423	435.5	435.5	448	460.5	460.5	473	485.5	485.5	498	510.5	510.5	523
4	373	385.5	398	398	410.5	423	423	435.5	448	448	460.5	473	473	485.5	498	498	498	510.5	523	523	535.5	548	560.5	573
5	423	435.5	435.5	448	460.5	460.5	473	485.5	485.5	498	510.5	510.5	523	535.5	548	548	560.5	573	573	585.5	598	598	610.5	623
6	473	473	485.5	498	498	510.5	523	535.5	535.5	548	560.5	560.5	573	585.5	585.5	598	610.5	610.5	623	635.5	635.5	648	660.5	660.5
7	523	523	535.5	548	548	560.5	573	573	585.5	598	598	610.5	623	623	635.5	648	648	660.5	673	673	685.5	698	698	710.5
8	560.5	573	585.5	585.5	598	610.5	610.5	623	635.5	635.5	648	660.5	660.5	673	685.5	685.5	698	710.5	723	723	735.5	748	748	760.5
9	610.5	623	623	635.5	648	648	660.5	673	673	685.5	698	710.5	710.5	723	735.5	735.5	748	760.5	760.5	773	785.5	785.5	798	810.5

EX600

5 Port Solenoid Valve

Series VQC1000



How to Order Manifold

VV5QC 1 1 - 08 C6 SD6Q 2 N 1 -

Series VQC1000
Base mounted plug-in

Valve stations

Symbol	Stations
01	1 station
⋮	⋮
24 ^{Note)}	24 stations

Note) The maximum number of stations depends on the wiring specifications.

Cylinder port size

C3	With ø3.2 One-touch fitting
C4	With ø4 One-touch fitting
C6	With ø6 One-touch fitting
M5	M5 thread
CM	Mixed sizes and with port plug
L3	Top ported elbow with ø3.2 One-touch fitting
L4	Top ported elbow with ø4 One-touch fitting
L6	Top ported elbow with ø6 One-touch fitting
L5	M5 thread
B3	Bottom ported elbow with ø3.2 One-touch fitting
B4	Bottom ported elbow with ø4 One-touch fitting
B6	Bottom ported elbow with ø6 One-touch fitting
B5	M5 thread
LM	Mixed port sizes of elbow piping

Note 1) Indicate the sizes on the manifold specification sheet in the case of "CM" and "LM".

Note 2) Symbols for inch size are as follows.

- N1: ø1/8" • N7: ø1/4"
- N3: ø5/32" • NM: Mixed sizes

The top ported elbow is LN□ and the bottom ported elbow is BN□. For NM, specify it on the manifold specification sheet.

SI Unit specifications

Symbol	Protocol	Stations	Max. number of stations for special wiring specification	Max. number of solenoids
SD60	Without SI Unit	1 to 12 stations	24 stations	24
SD6Q	DeviceNet™			
SD6N	PROFIBUS DP			
SD6V	CC-Link			
SD6ZE	EtherNet/IP™ (1 port)			
SD6EA	EtherNet/IP™ (2 ports)			
SD6D	EtherCAT®			
SD6F	PROFINET			

Note) The maximum number of stations depends on the number of solenoids.

Add the option symbol "K" when the combination of single wiring and double wiring is specified.

- When "Without SI Unit" is specified, I/O Unit cannot be mounted.
- When "Without SI Unit" is specified, a valve plate which connects the manifold and SI Unit, is not mounted. Refer to page 65 for mounting method.

Refer to the catalog of each series for details on manifold solenoid valve specifications, Common Precautions and Specific Product Precautions.

Option

Nil	None
B ^{Note 2)}	With back pressure check valve (All stations)
D	With DIN rail (Rail length: Standard)
D0	Without DIN rail (with bracket)
D □ ^{Note 3)}	With DIN rail (Rail length specified, □: Stations)
K ^{Note 4)}	Special wiring specification (Except double wiring)
N	With name plate
R ^{Note 5)}	External pilot
S ^{Note 6)}	Built-in silencer, Direct exhaust

Note 1) When multiple symbols are specified, indicate them alphabetically. Example) "-BRS"

Note 2) When a back pressure check valve is used only for specified station, specify the back pressure check valve part number, and specify the station number to which the valve is mounted, on the manifold specification sheet.

Note 3) D□: When the length of the DIN rail is specific (□ is the number of stations). Example) "-D08"
In this case, the valves will be mounted on the DIN rail for 8 stations, regardless of the number of manifold stations. Specified station number shall be longer than manifold station number.

Note 4) When single wiring and double wiring are mixed, specify wiring type of each station on the manifold specification sheet.

Note 5) When external pilot type is selected, also specify external pilot type for valves.

Note 6) Built-in silencer type does not satisfy IP67.

Note 7) When specification change from no DIN rail type to DIN rail mounting type, please consult SMC.

Note 8) When "Without SI Unit" is specified, "With DIN rail (D)" cannot be selected.

Note 9) DIN rail is not attached (but shipped together) on the manifold in the case of with DIN rail. Refer to the **WEB catalog** for mounting method.

I/O Unit stations

Nil	None
1	1 station
⋮	⋮
9	9 stations

Note 1) Without SI Unit, the symbol is nil.

Note 2) SI Unit is not included in I/O Unit stations.

Note 3) When I/O Unit is selected, it is shipped separately and assembled by users.

Refer to the attached operation manual for mounting method.

Note 4) Refer to page 64 for details on enclosure.

SI Unit output polarity

Nil	Positive common
N	Negative common

Note) Without SI Unit, the symbol is nil.

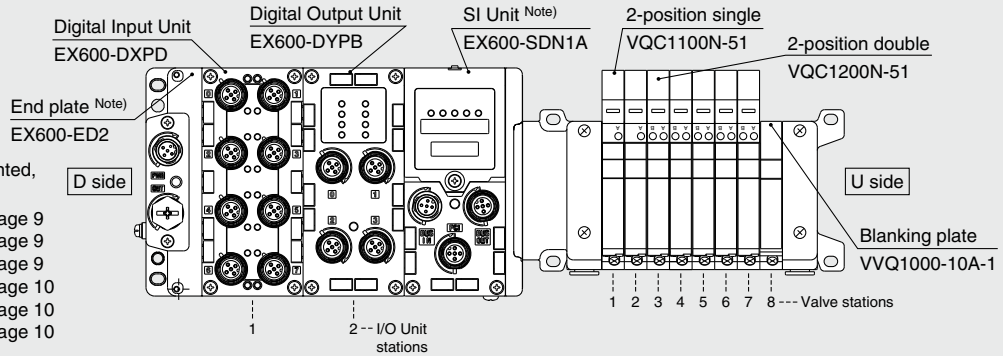
End plate type

Nil	No end plate
2	Power supply with M12 connector (Max. supplied current 2 A)
3	Power supply with 7/8 inch connector (Max. supplied current 8 A)

Note) Without SI Unit, the symbol is nil.

How to Order Manifold Assembly

Example (VV5QC11)



For the I/O Unit part number mounted, refer to the following pages.

- Digital Input Unit Page 9
- Digital Output Unit Page 9
- Digital Input/Output Unit Page 9
- Analog Input Unit Page 10
- Analog Output Unit Page 10
- Analog Input/Output Unit Page 10

- VV5QC11-08C6SD6Q2N2** 1 set **Manifold base part number**
- * **VQC1100N-51** 2 sets **Valve part number (Stations 1 to 2)**
 - * **VQC1200N-51** 5 sets **Valve part number (Stations 3 to 7)**
 - * **VVQ1000-10A-1** 1 set **Blanking plate part number (Station 8)**
 - * **EX600-DXPB** 1 set **I/O Unit part number (Station 1)**
 - * **EX600-DYPB** 1 set **I/O Unit part number (Station 2)**

The asterisk denotes the symbol for assembly. Prefix it to the part numbers of the solenoid valve etc.

Enter in order starting from the first station on the D side. If the arrangement becomes complicated, specify on the manifold specification sheet.

Enter in order starting from the first station on the D side. If the arrangement becomes complicated, specify on the manifold specification sheet.

Note) Do not enter the SI Unit part number and the end plate part number together.

How to Order Valves

VQC 1 1 0 0 - 5 1

Series VQC1000

Type of actuation

1	2-position single (A)4 2(B) (R1)5 1 3(R2) (P)	Note) A	4-position dual 3-port valve (A) 4(A) 2(B) (R1)5 1(P) 3(R2) N.C. N.C.
	2-position double (Metal) (A)4 2(B) (R1)5 1 3(R2) (P)		Note) B 4-position dual 3-port valve (B) 4(A) 2(B) (R1)5 1(P) 3(R2) N.O. N.O.
2	2-position double (Rubber) (A)4 2(B) (R1)5 1 3(R2) (P)	Note) C	4-position dual 3-port valve (C) 4(A) 2(B) (R1)5 1(P) 3(R2) N.C. N.O.
	3-position closed center (A)4 2(B) (R1)5 1 3(R2) (P)		Note) Only rubber seal type
3	3-position exhaust center (A)4 2(B) (R1)5 1 3(R2) (P)		
4	3-position pressure center (A)4 2(B) (R1)5 1 3(R2) (P)		

Coil voltage

5 24 VDC

Function

Nil	Standard (0.4 W)
B	Quick response type (0.95 W)
K Note 2)	High pressure type (1.0 MPa, 0.95 W)
N Note 3)	Negative common
R Note 4)	External pilot

Note 1) When multiple symbols are specified, indicate them alphabetically. However, combination of "B" and "K" is not possible.

Note 2) Only metal seal type

Note 3) When negative common is specified for the SI Unit, select and mount a valve of negative common.

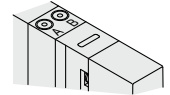
Note 4) Not applicable for dual 3-port valves

Seal type

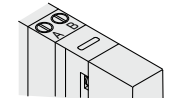
0	Metal seal
1	Rubber seal

Manual override

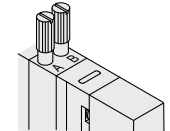
Nil: Non-locking push type (Tool required)



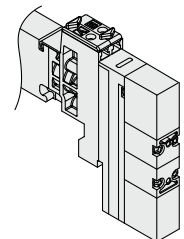
B: Locking type (Tool required)



C: Locking type (Manual)



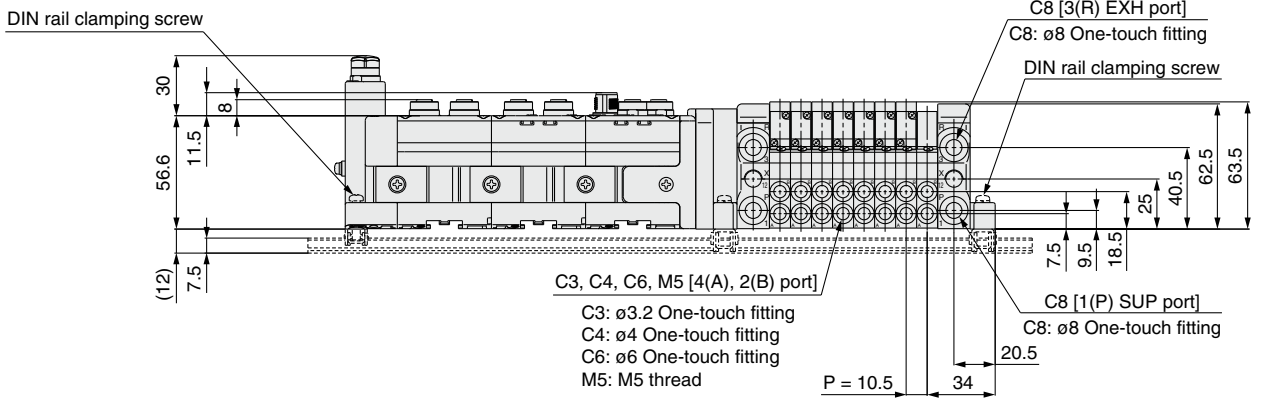
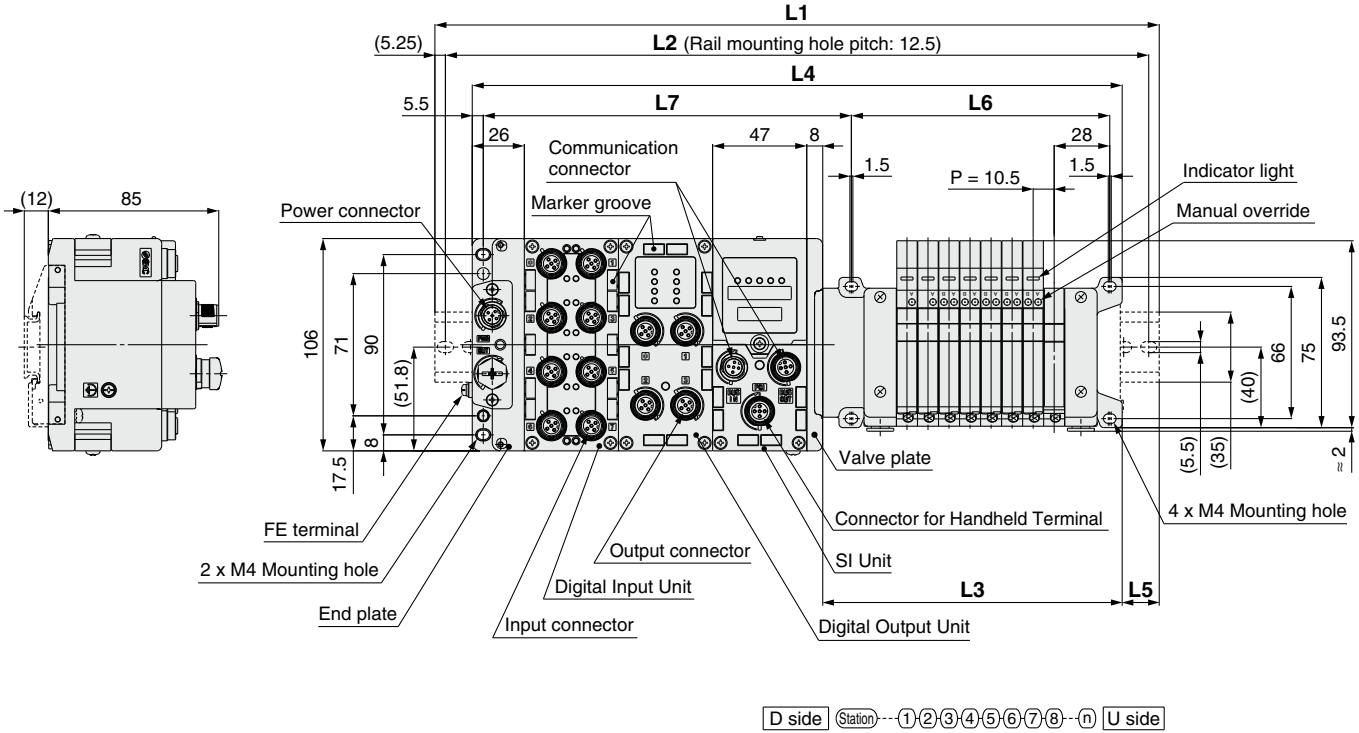
D: Slide locking type (Manual)



Series VQC1000

Dimensions

Power supply with M12 connector



$$L2 = L1 - 10.5$$

$$L3 = 10.5 \times n1 + 65.5$$

$$L4 = L3 + 81 + 47 \times n2$$

$$L5 = (L1 - L4) / 2$$

$$L6 = 10.5 \times n1 + 45$$

$$L7 = 47 \times n2 + 89.8$$

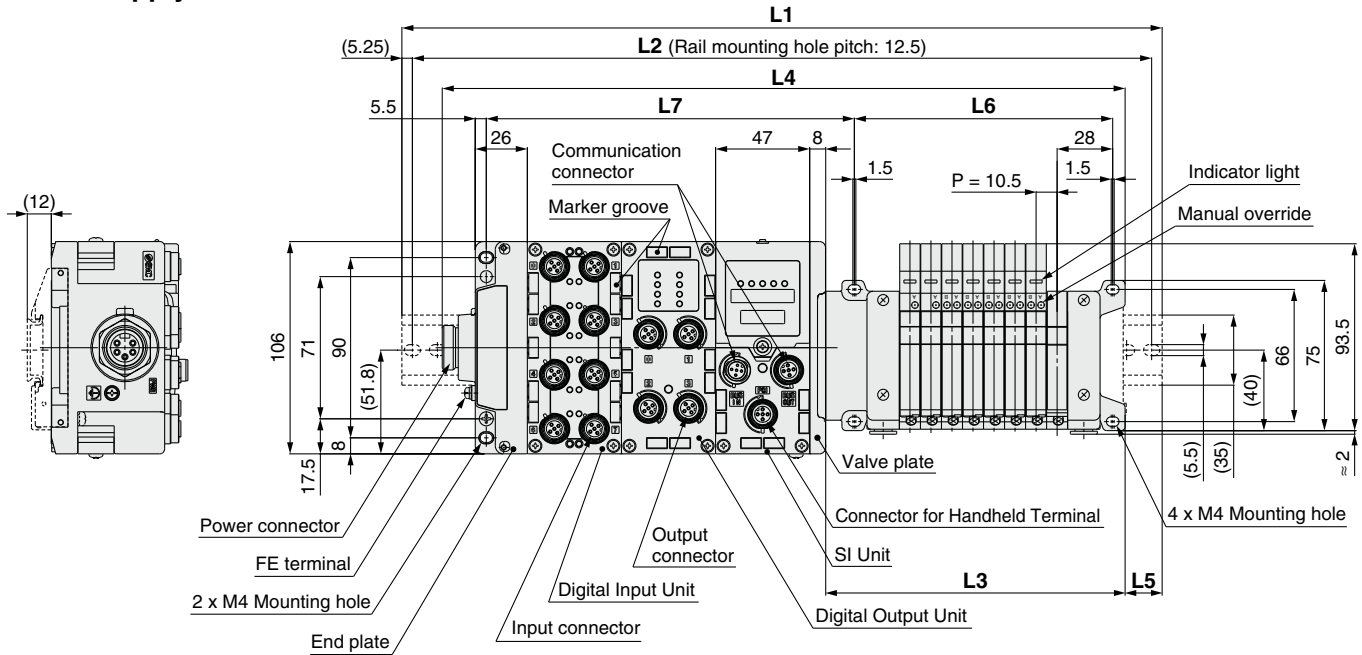
n1: Valve stations
n2: I/O Unit stations

L1: DIN Rail Overall Length

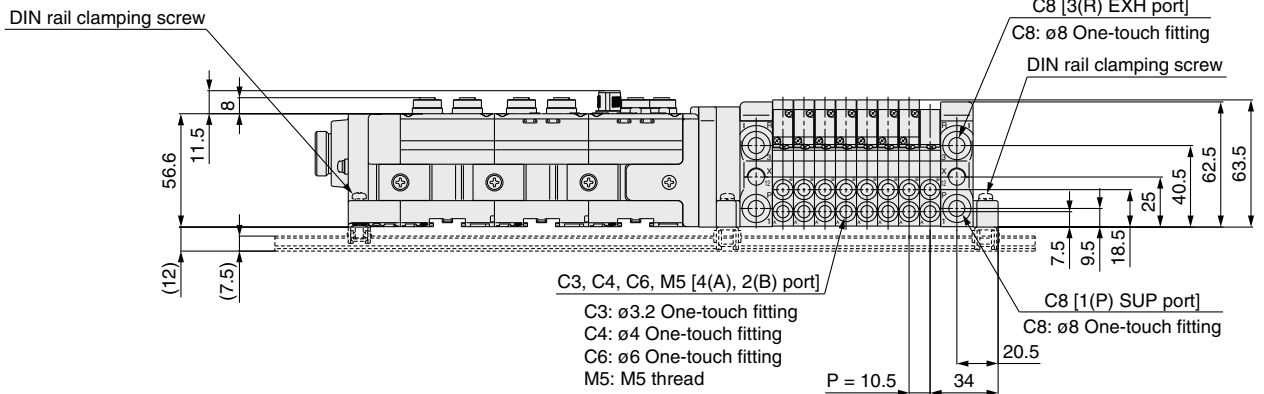
I/O Unit stations (n2) \ Valve stations (n1)	1	2	3	4	5	6	7	8	9	10	11	12	13	14	15	16	17	18	19	20	21	22	23	24
0	198	198	210.5	223	235.5	248	260.5	260.5	273	285.5	298	310.5	323	335.5	335.5	348	360.5	373	385.5	398	398	410.5	423	435.5
1	235.5	248	260.5	273	285.5	298	298	310.5	323	335.5	348	360.5	360.5	373	385.5	398	410.5	423	423	435.5	448	460.5	473	485.5
2	285.5	298	310.5	323	323	335.5	348	360.5	373	385.5	398	398	410.5	423	435.5	448	460.5	460.5	473	485.5	498	510.5	523	523
3	335.5	348	360.5	360.5	373	385.5	398	410.5	423	423	435.5	448	460.5	473	485.5	485.5	498	510.5	523	535.5	548	560.5	560.5	573
4	385.5	385.5	398	410.5	423	435.5	448	460.5	460.5	473	485.5	498	510.5	523	523	535.5	548	560.5	573	585.5	585.5	598	610.5	623
5	423	435.5	448	460.5	473	485.5	485.5	498	510.5	523	535.5	548	548	560.5	573	585.5	598	610.5	623	623	635.5	648	660.5	673
6	473	485.5	498	510.5	523	523	535.5	548	560.5	573	585.5	585.5	598	610.5	623	635.5	648	648	660.5	673	685.5	698	710.5	710.5
7	523	535.5	548	548	560.5	573	585.5	598	610.5	610.5	623	635.5	648	660.5	673	685.5	685.5	698	710.5	723	735.5	748	748	760.5
8	573	585.5	585.5	598	610.5	623	635.5	648	648	660.5	673	685.5	698	710.5	710.5	723	735.5	748	760.5	773	773	785.5	798	810.5
9	610.5	623	635.5	648	660.5	673	673	685.5	698	710.5	723	735.5	748	748	760.5	773	785.5	798	810.5	810.5	823	835.5	848	860.5

Dimensions

Power supply with 7/8 inch connector



D side Station---(1)---(2)---(3)---(4)---(5)---(6)---(7)---(8)---(n) U side



$$L2 = L1 - 10.5$$

$$L3 = 10.5 \times n1 + 65.5$$

$$L4 = L3 + 97.5 + 47 \times n2$$

$$L5 = (L1 - L4) / 2$$

$$L6 = 10.5 \times n1 + 45$$

$$L7 = 47 \times n2 + 89.8$$

n1: Valve stations
n2: I/O Unit stations

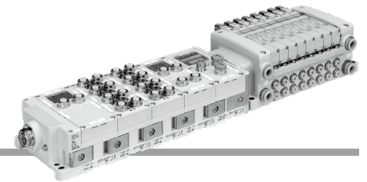
L1: DIN Rail Overall Length

I/O Unit stations (n2) \ Valve stations (n1)	1	2	3	4	5	6	7	8	9	10	11	12	13	14	15	16	17	18	19	20	21	22	23	24
0	210.5	223	235.5	235.5	248	260.5	273	285.5	298	298	310.5	323	335.5	348	360.5	373	373	385.5	398	410.5	423	435.5	435.5	448
1	260.5	273	273	285.5	298	310.5	323	335.5	335.5	348	360.5	373	385.5	398	398	410.5	423	435.5	448	460.5	460.5	473	485.5	498
2	298	310.5	323	335.5	348	360.5	360.5	373	385.5	398	410.5	423	435.5	435.5	448	460.5	473	485.5	498	498	510.5	523	535.5	548
3	348	360.5	373	385.5	398	398	410.5	423	435.5	448	460.5	460.5	473	485.5	498	510.5	523	523	535.5	548	560.5	573	585.5	598
4	398	410.5	423	423	435.5	448	460.5	473	485.5	498	498	510.5	523	535.5	548	560.5	560.5	573	585.5	598	610.5	623	623	635.5
5	448	460.5	460.5	473	485.5	498	510.5	523	523	535.5	548	560.5	573	585.5	585.5	598	610.5	623	635.5	648	660.5	660.5	673	685.5
6	485.5	498	510.5	523	535.5	548	560.5	560.5	573	585.5	598	610.5	623	623	635.5	648	660.5	673	685.5	685.5	698	710.5	723	735.5
7	535.5	548	560.5	573	585.5	585.5	598	610.5	623	635.5	648	648	660.5	673	685.5	698	710.5	723	723	735.5	748	760.5	773	785.5
8	585.5	598	610.5	623	623	635.5	648	660.5	673	685.5	685.5	698	710.5	723	735.5	748	748	760.5	773	785.5	798	810.5	810.5	823
9	635.5	648	648	660.5	673	685.5	698	710.5	710.5	723	735.5	748	760.5	773	785.5	785.5	798	810.5	823	835.5	848	848	860.5	873

EX600

5 Port Solenoid Valve

Series VQC2000



How to Order Manifold

VV5QC 2 1 - 08 C8 SD6Q 2 N 1 -

Series VQC2000
Base mounted plug-in

Stations

Symbol	Stations
01	1 station
⋮	⋮
24 ^{Note)}	24 stations

Note) The maximum number of stations depends on the wiring specifications.

Cylinder port size

C4	With ø4 One-touch fitting
C6	With ø6 One-touch fitting
C8	With ø8 One-touch fitting
CM	Mixed sizes and with port plug
L4	Top ported elbow with ø4 One-touch fitting
L6	Top ported elbow with ø6 One-touch fitting
L8	Top ported elbow with ø8 One-touch fitting
B4	Bottom ported elbow with ø4 One-touch fitting
B6	Bottom ported elbow with ø6 One-touch fitting
B8	Bottom ported elbow with ø8 One-touch fitting
LM	Mixed port sizes of elbow piping

Note 1) Indicate the sizes on the manifold specification sheet in the case of "CM" and "LM".

Note 2) Symbols for inch size are as follows.

- N3: ø5/32" • N9: ø5/16"
- N7: ø1/4" • NM: Mixed sizes

The top ported elbow is LN□ and the bottom ported elbow is BN□. For NM, specify it on the manifold specification sheet.

SI Unit specifications

Symbol	Protocol	Stations	Max. number of stations for special wiring specification	Max. number of solenoids
SD60	Without SI Unit	1 to 12 stations	24 stations	24
SD6Q	DeviceNet™			
SD6N	PROFIBUS DP			
SD6V	CC-Link			
SD6ZE	EtherNet/IP™ (1 port)			
SD6EA	EtherNet/IP™ (2 ports)			
SD6D	EtherCAT®			
SD6F	PROFINET			

Note) The maximum number of stations depends on the number of solenoids.

Add the option symbol "K" when the combination of single wiring and double wiring is specified.

- When "Without SI Unit" is specified, I/O Unit cannot be mounted.
- When "Without SI Unit" is specified, a valve plate which connects the manifold and SI Unit, is not mounted. Refer to back page 65 for mounting method.

End plate type

Nil	No end plate
2	Power supply with M12 connector (Max. supplied current 2 A)
3	Power supply with 7/8 inch connector (Max. supplied current 8 A)

Note) Without SI Unit, the symbol is nil.

Option

Nil	None
B ^{Note 2)}	With back pressure check valve (All stations)
D ^{Note 3)}	With DIN rail (Rail length: Standard)
DO	Without DIN rail (with bracket)
D□ ^{Note 4)}	With DIN rail (Rail length specified, □: Stations)
K ^{Note 5)}	Special wiring specification (Except double wiring)
N	With name plate
R ^{Note 6)}	External pilot
S ^{Note 7)}	Built-in silencer, Direct exhaust
T ^{Note 8)}	P and R ports included on both sides of the U side

Note 1) When multiple symbols are specified, indicate them alphabetically. Example) "-BRS"

Note 2) When a back pressure check valve is used only for specified station, specify the back pressure check valve part number, and specify the station number to which the valve is mounted, on the manifold specification sheet.

Note 3) When selecting the DIN rail mounting (with DIN rail) of the VQC2000 series with the end plate to a power supply 7/8 inch connector, 9 I/O Unit stations will result in a total of 23 valve stations. With 24 stations, the DIN rail mounting (with DIN rail) cannot be indicated, so please exercise caution. (Refer to "DIN Rail Overall Length" on page 58.)

Note 4) D□: When the length of the DIN rail is specific (□ is the number of stations). Example) "-D08"
In this case, the valves will be mounted on the DIN rail for 8 stations, regardless of the number of manifold stations. Specified station number shall be longer than manifold station number.

Note 5) When single wiring and double wiring are mixed, specify wiring type of each station on the manifold specification sheet.

Note 6) When external pilot type is selected, also specify external pilot type for valves.

Note 7) Built-in silencer type does not satisfy IP67.

Note 8) 2 ports for SUP and EXH are included on both sides of U side (cylinder port and coil side) with ø12 One-touch fittings.

Note 9) When specification change from no DIN rail type to DIN rail mounting type, please consult SMC.

Note 10) When "Without SI Unit" is specified, "With DIN rail (D)" cannot be selected.

Note 11) DIN rail is not attached (but shipped together) on the manifold in the case of with DIN rail. Refer to the **WEB catalog** for mounting method.

I/O Unit stations

Nil	None
1	1 station
⋮	⋮
9	9 stations

Note 1) Without SI Unit, the symbol is nil.

Note 2) SI Unit is not included in I/O Unit stations.

Note 3) When I/O Unit is selected, it is shipped separately and assembled by users. Refer to the attached operation manual for mounting method.

Note 4) Refer to page 64 for details on enclosure.

SI Unit output polarity

Nil	Positive common
N	Negative common

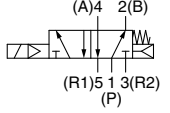
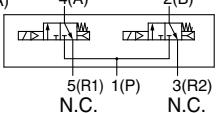
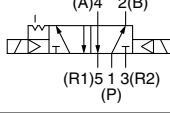
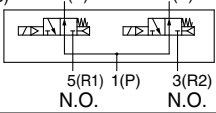
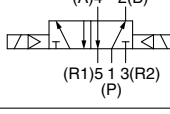
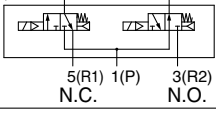
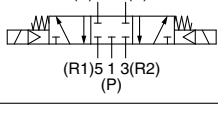
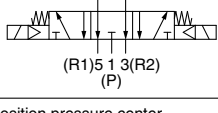
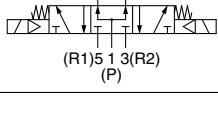
Note) Without SI Unit, the symbol is nil.

How to Order Valves

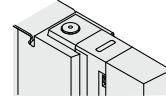
VQC2100 - **5** **1**

Series VQC2000

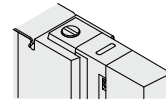
Manual override

Type of actuation	
<p>1</p> <p>2-position single</p> 	<p>Note) A</p> <p>4-position dual 3-port valve</p> 
<p>2</p> <p>2-position double (Metal)</p> 	<p>Note) B</p> <p>4-position dual 3-port valve (B)</p> 
<p>2</p> <p>2-position double (Rubber)</p> 	<p>Note) C</p> <p>4-position dual 3-port valve (C)</p> 
<p>3</p> <p>3-position closed center</p> 	<p>Note) Only rubber seal type</p>
<p>4</p> <p>3-position exhaust center</p> 	
<p>5</p> <p>3-position pressure center</p> 	

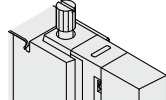
Nil: Non-locking push type (Tool required)



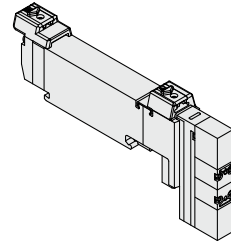
B: Locking type (Tool required)



C: Locking type (Manual)



D: Slide locking type (Manual)



Seal type

0	Metal seal
1	Rubber seal

Function

Nil	Standard (0.4 W)
B	Quick response type (0.95 W)
K <small>Note 2)</small>	High pressure type (1.0 MPa, 0.95 W)
N <small>Note 3)</small>	Negative common
R <small>Note 4)</small>	External pilot

Note 1) When multiple symbols are specified, indicate them alphabetically. However, combination of "B" and "K" is not possible.

Note 2) Only metal seal type

Note 3) When negative common is specified for SI Unit, select and mount a valve of negative common.

Note 4) Not applicable for dual 3-port valves

Coil voltage

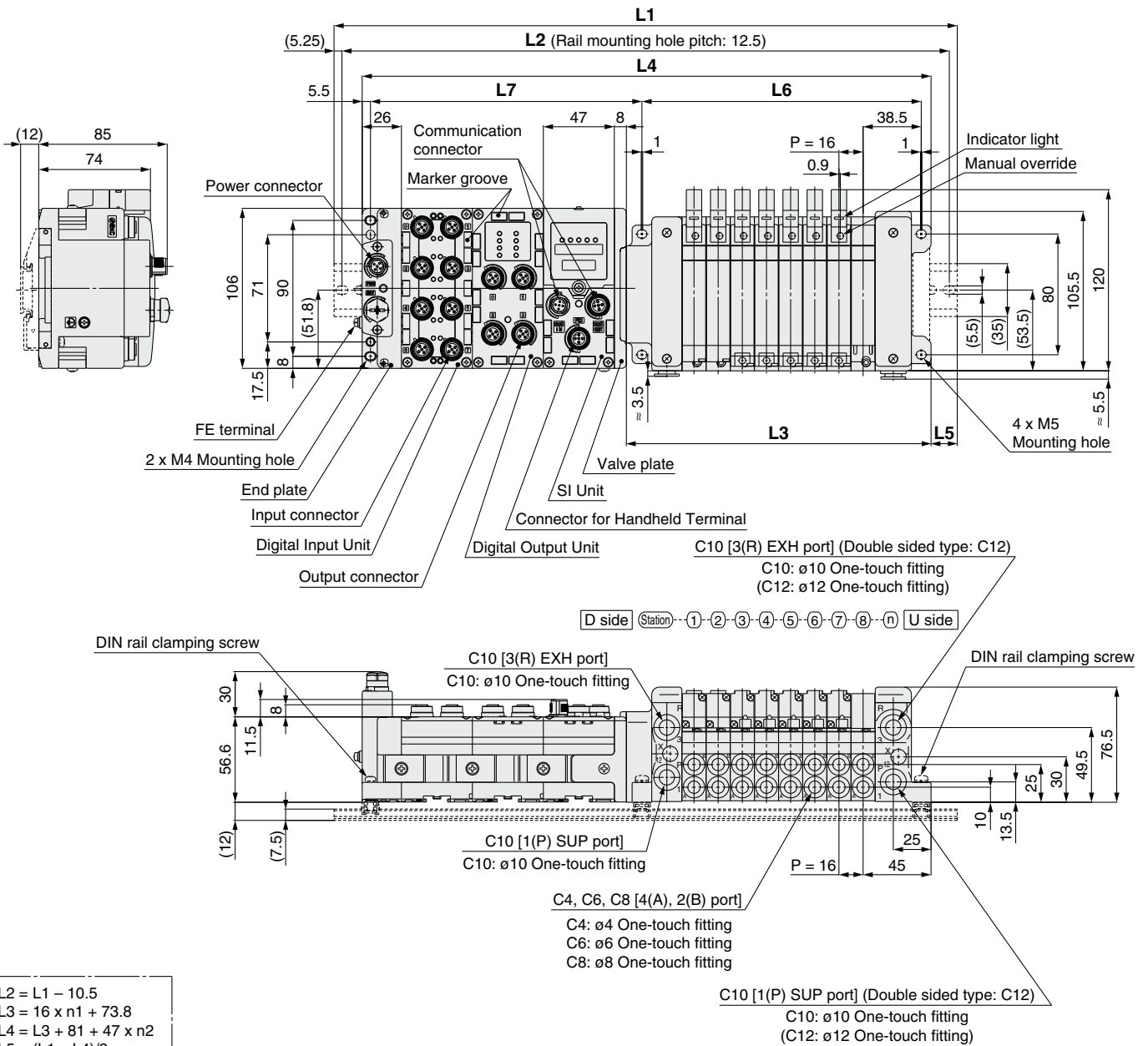
5	24 VDC
----------	--------

Refer to the catalog of each series for details on manifold solenoid valve specifications, Common Precautions and Specific Product Precautions.

Series VQC2000

Dimensions

Power supply with M12 connector



$$\begin{aligned}
 L2 &= L1 - 10.5 \\
 L3 &= 16 \times n1 + 73.8 \\
 L4 &= L3 + 81 + 47 \times n2 \\
 L5 &= (L1 - L4)/2 \\
 L6 &= 16 \times n1 + 57 \\
 L7 &= 47 \times n2 + 85.8
 \end{aligned}$$

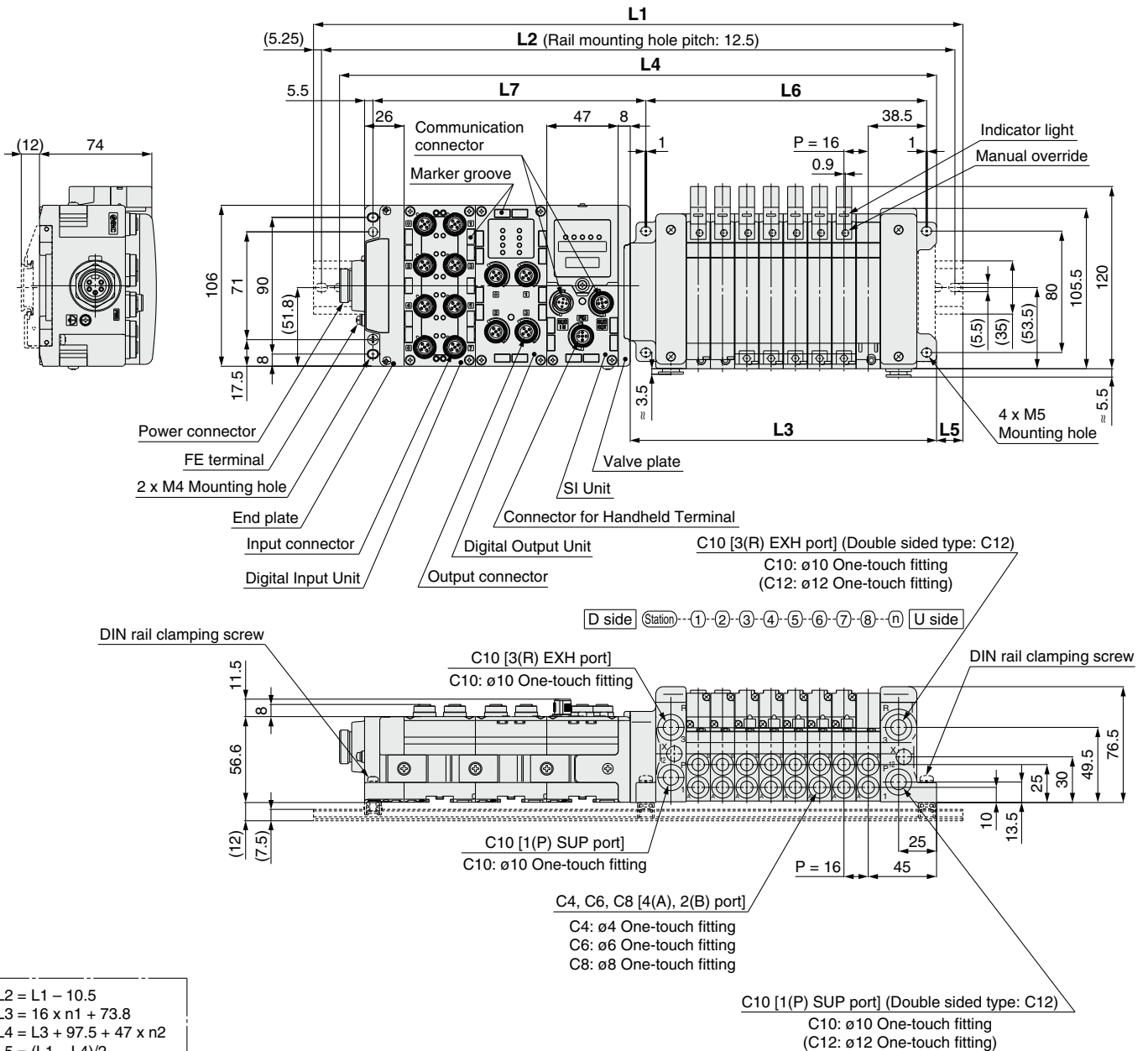
n1: Valve stations
 n2: I/O Unit stations

L1: DIN Rail Overall Length

I/O Unit stations (n2)	Valve stations (n1)																							
	1	2	3	4	5	6	7	8	9	10	11	12	13	14	15	16	17	18	19	20	21	22	23	24
0	210.5	223	235.5	260.5	273	285.5	298	323	335.5	348	373	385.5	398	410.5	435.5	448	460.5	473	498	510.5	523	548	560.5	573
1	248	273	285.5	298	323	335.5	348	360.5	385.5	398	410.5	435.5	448	460.5	473	498	510.5	523	548	560.5	573	585.5	610.5	623
2	298	323	335.5	348	360.5	385.5	398	410.5	423	448	460.5	473	498	510.5	523	535.5	560.5	573	585.5	598	623	635.5	648	673
3	348	360.5	385.5	398	410.5	423	448	460.5	473	498	510.5	523	535.5	560.5	573	585.5	598	623	635.5	648	673	685.5	698	710.5
4	398	410.5	423	448	460.5	473	485.5	510.5	523	535.5	560.5	573	585.5	598	623	635.5	648	673	685.5	698	710.5	735.5	748	760.5
5	448	460.5	473	485.5	510.5	523	535.5	548	573	585.5	598	623	635.5	648	660.5	685.5	698	710.5	735.5	748	760.5	773	798	810.5
6	485.5	510.5	523	535.5	548	573	585.5	598	623	635.5	648	660.5	685.5	698	710.5	723	748	760.5	773	798	810.5	823	835.5	860.5
7	535.5	548	573	585.5	598	610.5	635.5	648	660.5	685.5	698	710.5	723	748	760.5	773	798	810.5	823	835.5	860.5	873	885.5	898
8	585.5	598	610.5	635.5	648	660.5	673	698	710.5	723	748	760.5	773	785.5	810.5	823	835.5	860.5	873	885.5	898	923	935.5	948
9	635.5	648	660.5	673	698	710.5	723	748	760.5	773	785.5	810.5	823	835.5	848	873	885.5	898	923	935.5	948	960.5	985.5	998.5

Dimensions

Power supply with 7/8 inch connector



$L2 = L1 - 10.5$
 $L3 = 16 \times n1 + 73.8$
 $L4 = L3 + 97.5 + 47 \times n2$
 $L5 = (L1 - L4) / 2$
 $L6 = 16 \times n1 + 57$
 $L7 = 47 \times n2 + 85.8$

n1: Valve stations
n2: I/O Unit stations

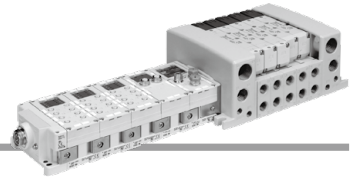
L1: DIN Rail Overall Length

I/O Unit stations (n2) \ Valve stations (n1)	Valve stations (n1)																							
	1	2	3	4	5	6	7	8	9	10	11	12	13	14	15	16	17	18	19	20	21	22	23	24
0	223	235.5	260.5	273	285.5	298	323	335.5	348	373	385.5	398	410.5	435.5	448	460.5	485.5	498	510.5	523	548	560.5	573	585.5
1	273	285.5	298	323	335.5	348	360.5	385.5	398	410.5	435.5	448	460.5	473	498	510.5	523	548	560.5	573	585.5	610.5	623	635.5
2	323	335.5	348	360.5	385.5	398	410.5	435.5	448	460.5	473	498	510.5	523	535.5	560.5	573	585.5	610.5	623	635.5	648	673	685.5
3	360.5	385.5	398	410.5	423	448	460.5	473	498	510.5	523	535.5	560.5	573	585.5	610.5	623	635.5	648	673	685.5	698	710.5	735.5
4	410.5	423	448	460.5	473	485.5	510.5	523	535.5	560.5	573	585.5	598	623	635.5	648	673	685.5	698	710.5	735.5	748	760.5	785.5
5	460.5	473	485.5	510.5	523	535.5	560.5	573	585.5	598	623	635.5	648	660.5	685.5	698	710.5	735.5	748	760.5	773	798	810.5	823
6	510.5	523	535.5	548	573	585.5	598	623	635.5	648	660.5	685.5	698	710.5	735.5	748	760.5	773	798	810.5	823	835.5	860.5	873
7	548	573	585.5	598	610.5	635.5	648	660.5	685.5	698	710.5	723	748	760.5	773	798	810.5	823	835.5	860.5	873	885.5	910.5	923
8	598	610.5	635.5	648	660.5	685.5	698	710.5	723	748	760.5	773	785.5	810.5	823	835.5	860.5	873	885.5	898	923	935.5	948	973
9	648	660.5	673	698	710.5	723	748	760.5	773	785.5	810.5	823	835.5	860.5	873	885.5	898	923	935.5	948	960.5	985.5	998.5	—

EX600

5 Port Solenoid Valve

Series VQC4000



How to Order Manifold

VV5QC 4 1 - 16 02 SD6Q 2 N 1 -

Series VQC4000

Base mounted plug-in

Valve stations

01	1 station
⋮	⋮
16 <small>Note)</small>	16 stations

Note) The maximum number of stations depends on the wiring specifications.

Cylinder port size

C6	With ø6 One-touch fitting
C8	With ø8 One-touch fitting
C10	With ø10 One-touch fitting
C12	With ø12 One-touch fitting
N7	For ø1/4"
N9	For ø5/16"
N11	For ø3/8"
02	1/4
03	3/8
B	Bottom ported Rc1/4
CM	Mixed sizes

Thread type

Nil	Rc
F	G
N	NPT
T	NPT/NPTF

SI Unit specifications

	Protocol	Stations	Max. number of stations for special wiring specification	Max. number of solenoids
SD60	Without SI unit	1 to 12 stations	16 stations	24
SD6Q	DeviceNet™			
SD6N	PROFIBUS DP			
SD6V	CC-Link			
SD6ZE	EtherNet/IP™ (1 port)			
SD6EA	EtherNet/IP™ (2 ports)			
SD6D	EtherCAT®			
SD6F	PROFINET			

Note) The maximum number of stations depends on the number of solenoids.
Add the option symbol "K" when the combination of single wiring and double wiring is specified.

- When "Without SI Unit" is specified, I/O Unit cannot be mounted.
- When "Without SI Unit" is specified, a valve plate which connects the manifold and SI Unit, is not mounted. Refer to page 65 for mounting method.

Option

Nil	None
K <small>Note)</small>	Special wiring specification (Except double wiring)

Note) When single wiring and double wiring are mixed, specify wiring type of each station on the manifold specification sheet.

I/O Unit stations

Nil	None
1	1 station
⋮	⋮
9	9 stations

Note 1) Without SI Unit, the symbol is nil.
Note 2) SI Unit is not included in I/O Unit stations.
Note 3) When I/O Unit is selected, it is shipped separately and assembled by users. Refer to the attached operation manual for mounting method.
Note 4) Refer to page 64 for details on enclosure.

SI Unit output polarity

Nil	Positive common
N	Negative common

Note) Without SI Unit, the symbol is nil.

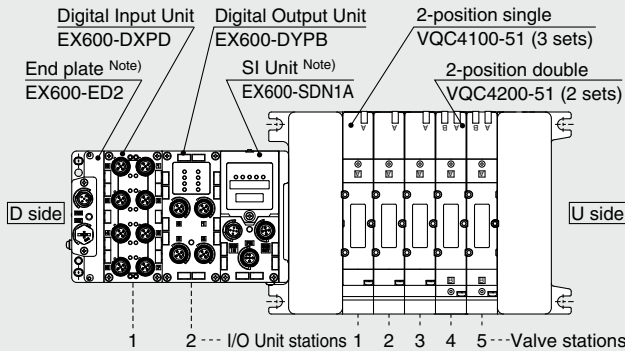
End plate type

Nil	No end plate
2	Power supply with M12 connector (Max. supplied current 2 A)
3	Power supply with 7/8 inch connector (Max. supplied current 8 A)

Note) Without SI Unit, the symbol is nil.

How to Order Manifold Assembly

Example (VV5QC41-□SD6□)



- VV5QC41-0502SD6Q2N2...1 set (S kit 5-station manifold base part number)
 *VQC4100-51.....3 sets (2-position single part number)
 *VQC4200-51.....2 sets (2-position double part number)
 *EX600-DXPD.....1 set I/O Unit part number (Station 1)
 *EX600-DYPB.....1 set I/O Unit part number (Station 2)
- * The asterisk denotes the symbol for assembly.
 * Prefix it to the part numbers of the valve etc.

· The valve arrangement is numbered as the 1st station from the D side.
 · Under the manifold part number, state the valves to be mounted, then the I/O Units in order from the 1st station as shown in the figure above. If the arrangement becomes complicated, specify on a manifold specification sheet.

Note) Do not enter the SI Unit part number and the end plate part number together.

How to Order Valves

VQC 4 1 0 0 □ - 5 □ □ 1

Series VQC4000

Type of actuation

1	2-position single (A)(B) 4 2 5 1 3 (R1)(P)(R2)	3	3-position closed center (A)(B) 4 2 5 1 3 (R1)(P)(R2)	
	2		Metal	2-position double (A)(B) 4 2 5 1 3 (R1)(P)(R2)
Rubber		2-position double (A)(B) 4 2 5 1 3 (R1)(P)(R2)	5	3-position pressure center (A)(B) 4 2 5 1 3 (R1)(P)(R2)
Note) 6		6		3-position double check (A)(B) 4 2 5 1 3 (R1)(P)(R2)

Note) For double check type, refer to the **WEB catalog** or the VQ4000/5000 series catalog (CAT. ES11-104).

Seal type

0	Metal seal
1	Rubber seal

Manual

Nil	B	C
Non-locking push type (Tool required)	Push-turn locking type (Tool required)	Turn locking type (Manual)

Light/surge voltage suppressor

Nil	With
E	Without light, with surge voltage suppressor

Coil voltage

5	24 VDC
---	--------

Function

Nil	Standard (0.95 W)
Y Note 1)	Low wattage type (0.4 W)
R Note 2)	External pilot

Note 1) When the power is energized continuously, refer to "Specific Product Precautions 1" in the **WEB catalog** or the VQC4000/5000 series catalog (CAT.ES11-104).

Note 2) For details about external pilot type, refer to the **WEB catalog** or the VQ4000/5000 series catalog (CAT.ES11-104). In addition, external pilot type cannot be combined with a double check spacer.

* When multiple symbols are specified, indicate them alphabetically.

Series EX600

Series SY

Series SV

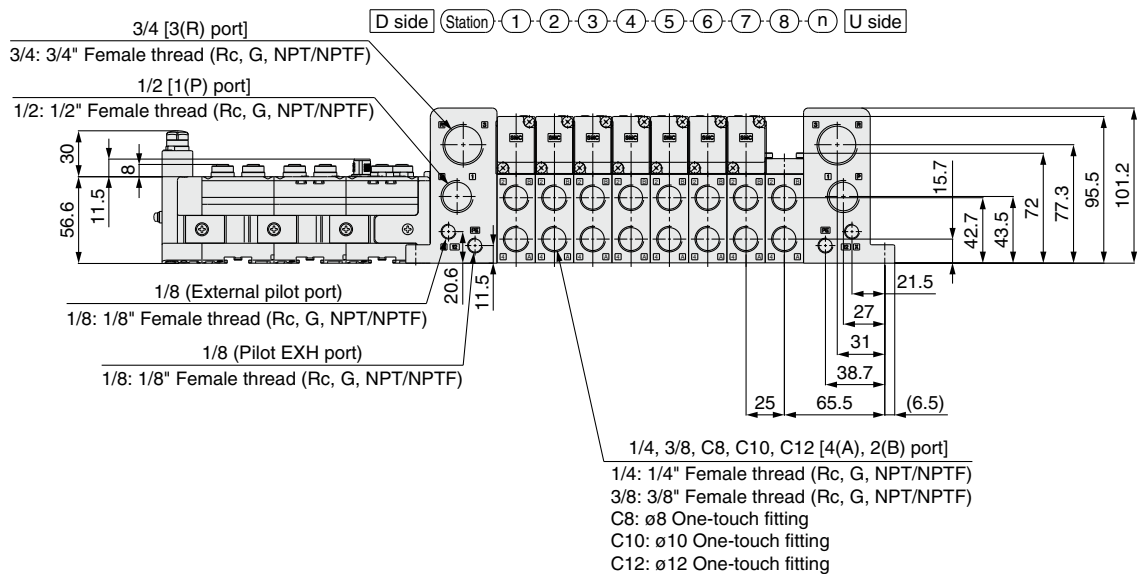
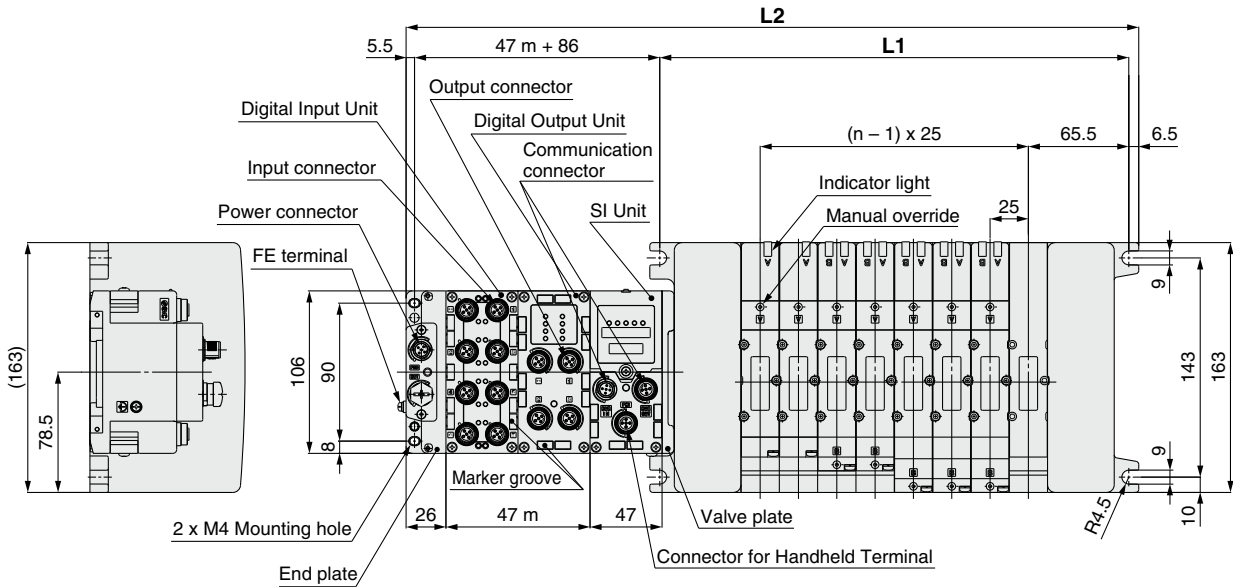
Series S0700

Series VQC

Series VQC4000

Dimensions

Power supply with M12 connector



Formulas

$$L1 = 25n + 106$$

$$L2 = 25n + 184$$

* L2 is the dimension without I/O Unit. Add 47 mm for each additional I/O Units.

* "m" is number of I/O Units.

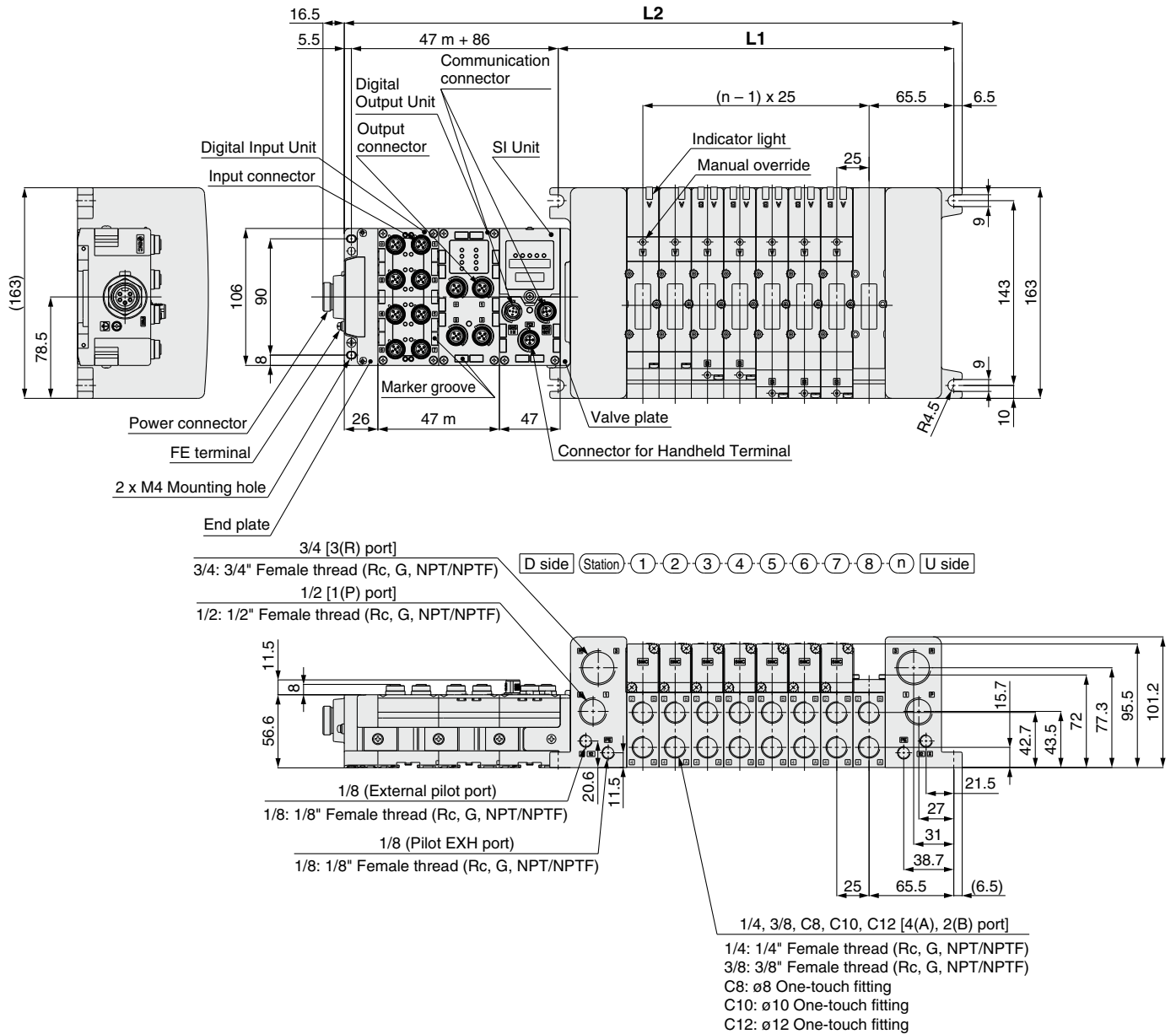
Dimensions

n: Stations (Maximum 16 stations)

L \ n	1	2	3	4	5	6	7	8	9	10	11	12	13	14	15	16
L1	131	156	181	206	231	256	281	306	331	356	381	406	431	456	481	506
L2	209	234	259	284	309	334	359	384	409	434	459	484	509	534	559	584

Dimensions

Power supply with 7/8 inch connector



Formulas

$L1 = 25n + 106$

$L2 = 25n + 184$

* $L2$ is the dimension without I/O Unit. Add 47 mm for each additional I/O Units.

* "m" is number of I/O Units.

Dimensions

n: Stations (Maximum 16 stations)

n	1	2	3	4	5	6	7	8	9	10	11	12	13	14	15	16
L1	131	156	181	206	231	256	281	306	331	356	381	406	431	456	481	506
L2	209	234	259	284	309	334	359	384	409	434	459	484	509	534	559	584

EX600

5 Port Solenoid Valve

Series VQC5000



How to Order Manifold

VV5QC 5 1 - 12 03 [] SD6Q 2 N 1 - []

Series VQC5000

Base mounted plug-in

Valve stations

01	1 station
⋮	⋮
12	12 stations

Cylinder port size

03	3/8
04	1/2
B	Bottom ported Rc1/4
CM	Mixed sizes

Thread type

Nil	Rc
F	G
N	NPT
T	NPTF

SI Unit specifications

	Protocol	Stations	Max. number of solenoids
SD60	Without SI unit	1 to 12 stations	24
SD6Q	DeviceNet™		
SD6N	PROFIBUS DP		
SD6V	CC-Link		
SD6ZE	EtherNet/IP™ (1 port)		
SD6EA	EtherNet/IP™ (2 ports)		
SD6D	EtherCAT®		
SD6F	PROFINET		

Note) Add the option symbol “-K” when the combination of single wiring and double wiring is specified.

- When “Without SI Unit” is specified, I/O Unit cannot be mounted.
- When “Without SI Unit” is specified, a valve plate which connects the manifold and SI Unit, is not mounted. Refer to page 65 for mounting method.

Option

Nil	None
K (Note)	Special wiring specification (Except double wiring)

Note) When single wiring and double wiring are mixed, specify wiring type of each station on the manifold specification sheet.

I/O Unit stations

Nil	None
1	1 station
⋮	⋮
9	9 stations

Note 1) Without SI Unit, the symbol is nil.

Note 2) SI Unit is not included in I/O Unit stations.

Note 3) When I/O Unit is selected, it is shipped separately and assembled by users.

Refer to the attached operation manual for mounting method.

Note 4) Refer to page 64 for details on enclosure.

SI Unit output polarity

Nil	Positive common
N	Negative common

Note) Without SI Unit, the symbol is nil.

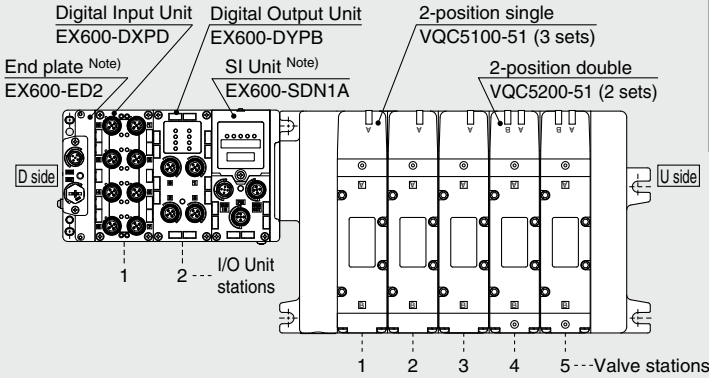
End plate type

Nil	No end plate
2	Power supply with M12 connector (Max. supplied current 2 A)
3	Power supply with 7/8 inch connector (Max. supplied current 8 A)

Note) Without SI Unit, the symbol is nil.

How to Order Manifold Assembly

Example (VV5QC51-□SD6□)



VV5QC51-0503SD6Q2N2...1 set (S kit 5-station manifold base part number)
 *VQC5100-51.....3 sets (2-position single part number)
 *VQC5200-51.....2 sets (2-position double part number)
 *EX600-DXP.....1 set I/O Unit part number (Station 1)
 *EX600-DYPB.....1 set I/O Unit part number (Station 2)

→ * The asterisk denotes the symbol for assembly.
 * Prefix it to the part numbers of the valve etc.

The valve arrangement is numbered as the 1st station from the D side.
 Under the manifold part number, state the valves to be mounted, then the I/O Units in order from the 1st station as shown in the figure above. If the arrangement becomes complicated, specify on a manifold specification sheet.

Note) Do not enter the SI Unit part number and the end plate part number together.

How to Order Valves

VQC5 1 0 0 □ - 5 □ □ 1

Series VQC5000

Type of actuation

1	2-position single (A)(B) 4 2 (R1)(P)(R2) 5 1 3	3	3-position closed center (A)(B) 4 2 (R1)(P)(R2) 5 1 3
	2-position double (A)(B) 4 2 (R1)(P)(R2) 5 1 3		3-position exhaust center (A)(B) 4 2 (R1)(P)(R2) 5 1 3
2	Metal	4	3-position pressure center (A)(B) 4 2 (R1)(P)(R2) 5 1 3
	Rubber		3-position double check (A)(B) 4 2 (R1)(P)(R2) 5 1 3
		Note) 6	3-position double check (A)(B) 4 2 (R1)(P)(R2) 5 1 3

Note) For double check type, refer to the **WEB catalog** or the VQ4000/5000 series catalog (CAT. ES11-104).

Seal type

0	Metal seal
1	Rubber seal

Manual

Nil	B	C
Non-locking push type (Tool required)	Push-turn locking type (Tool required)	Turn locking type (Manual)

Light/surge voltage suppressor

Nil	With
E	Without light, with surge voltage suppressor

Coil voltage

5	24 VDC
---	--------

Function

Nil	Standard (0.95 W)
Y Note 1)	Low wattage type (0.4 W)
R Note 2)	External pilot

Note 1) When the power is energized continuously, refer to "Specific Product Precautions 1" in the **WEB catalog** or the VQ4000/5000 series catalog (CAT.ES11-104).

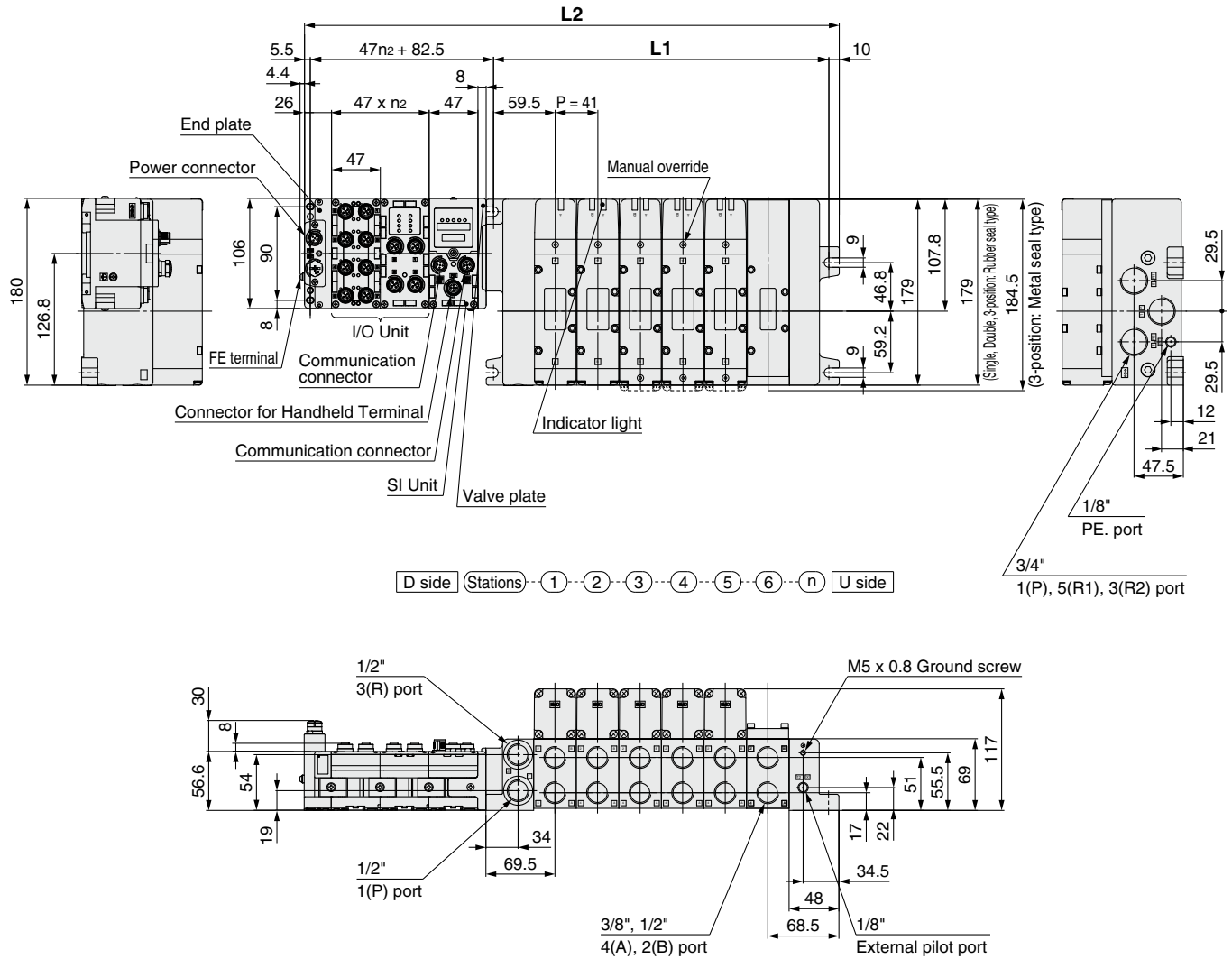
Note 2) For details about external pilot type, refer to the **WEB catalog** or the VQ4000/5000 series catalog (CAT.ES11-104). In addition, external pilot type cannot be combined with a double check spacer.

* When multiple symbols are specified, indicate them alphabetically.

Series VQC5000

Dimensions

Power supply with M12 connector



Formula:

$$L1 = 41n + 77$$

$$L2 = 41n + 175$$

* L2 dimension: Without I/O unit For additional I/O unit, add 47 mm.

* n2: I/O unit stations

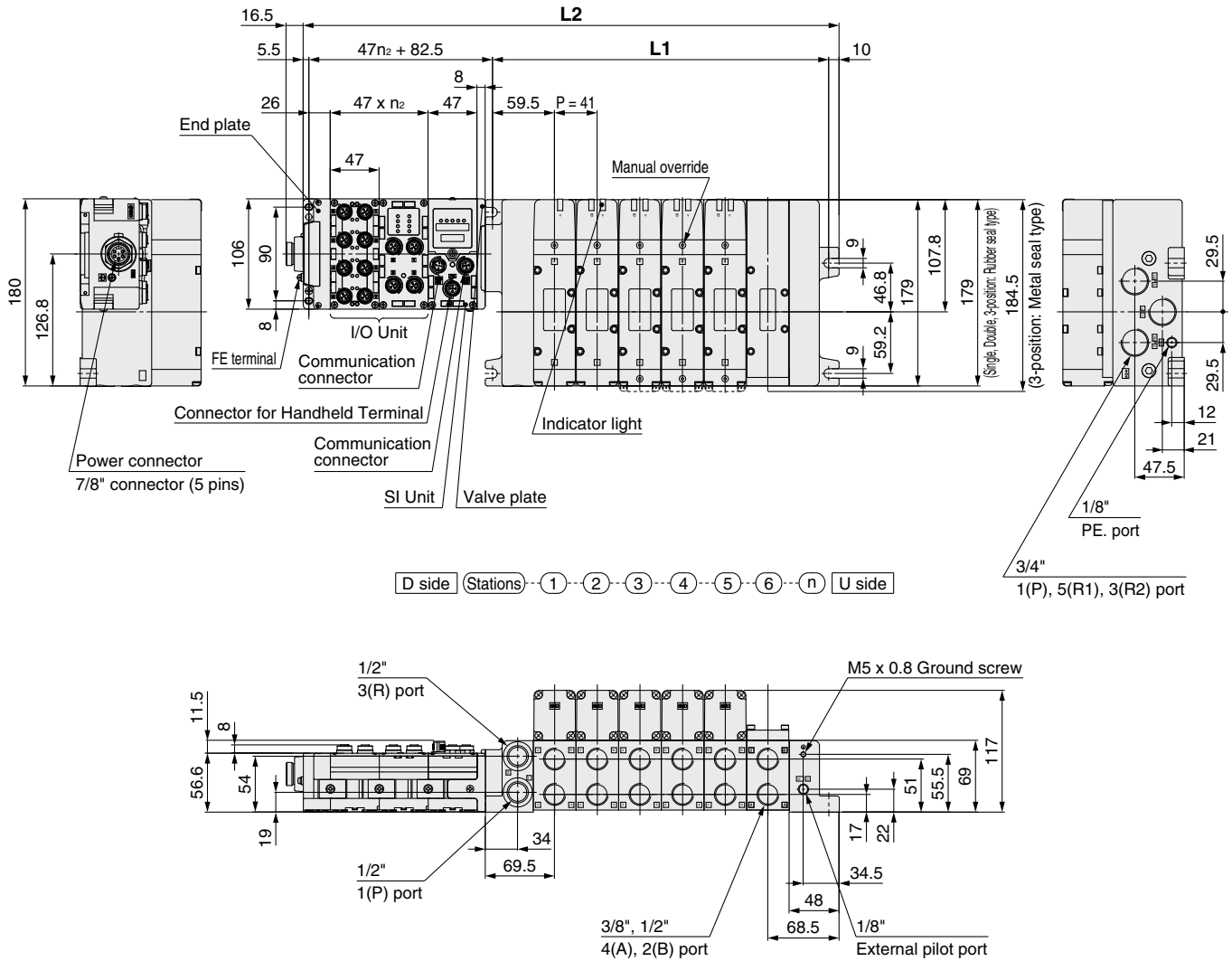
Dimensions

n: Stations (Maximum 12 stations)

L \ n	1	2	3	4	5	6	7	8	9	10	11	12
L1	118	159	200	241	282	323	364	405	446	487	528	569
L2	216	257	298	339	380	421	462	503	544	585	626	667

Dimensions

Power supply with 7/8 inch connector



Formula:

$$L1 = 41n + 77$$

$$L2 = 41n + 175$$

* L2 dimension: Without I/O unit For additional I/O unit, add 47 mm.

* n₂: I/O unit stations

Dimensions

n: Stations (Maximum 12 stations)

L \ n	1	2	3	4	5	6	7	8	9	10	11	12
L1	118	159	200	241	282	323	364	405	446	487	528	569
L2	216	257	298	339	380	421	462	503	544	585	626	667

Series EX600

Series SY

Series SV

Series S0700

Series VQC



Series EX600

Specific Product Precautions 1

Be sure to read this before handling. Refer to the back cover for Safety Instructions. For 3/4/5 Port Solenoid Valve Precautions, refer to "Handling Precautions for SMC Products" and the Operation Manual on SMC website, <http://www.smcworld.com>

Design/ Selection

Warning

- 1. Do not use beyond the specification range.**
Using beyond the specification range can cause a fire, malfunction, or damage to the system.
Check the specifications before operation.
- 2. When using for an interlock circuit:**
 - **Provide a multiple interlock system which is operated by another system (such as mechanical protection function).**
 - **Perform an inspection to confirm that it is working properly.**Otherwise, this may cause possible injuries due to malfunction.

Caution

- 1. When applicable to UL, use a Class 2 power supply unit conforming to UL1310 for direct current power supply.**
- 2. Use within the specified voltage range.**
Using beyond the specified voltage range is likely to cause the product to be damaged or to malfunction.
- 3. Do not install in places where it can be used as a foothold.**
Applying any excessive load such as stepping on the product by mistake or placing a foot on it, will cause it to break.
- 4. Keep the surrounding space free for maintenance.**
When designing a system, take into consideration the amount of free space needed for performing maintenance.
- 5. Do not remove the name plate.**
Improper maintenance or incorrect use of Operation Manual can cause equipment failure or malfunction. Also, there is a risk of losing conformity with safety standards.
- 6. Beware of inrush current when the power supply is turned on.**
Some connected loads can apply an initial charge current which will trigger the over current protection function, causing the Unit to malfunction.

Mounting

Caution

- 1. When handling and assembling Units:**
 - **Do not touch the sharp metal parts of the connector or plug.**
 - **Do not apply excessive force to the Unit when disassembling.**
The connecting portions of the Unit are firmly joined with seals.
 - **When joining Units, take care not to get fingers caught between Units.**
Injury can result.
- 2. Do not drop, bump, or apply excessive impact.**
Otherwise, this can cause damage, equipment failure or malfunction.

Mounting

Caution

- 3. Observe the tightening torque range.**
Tightening outside of the allowable torque range will likely damage the screw.
IP67 cannot be guaranteed if the screws are not tightened to the specified torque.
- 4. When lifting a large size Manifold Solenoid Valve Unit, take care to avoid causing stress to the valve connection joint.**
The connection joint with the Unit may be damaged.
Because the product may be heavy, carrying and installation should be performed by more than one operator to avoid strain or injury.
- 5. When placing a manifold, mount it on a flat surface.**
Torsion in the whole manifold can lead to trouble such as air leakage or contact failure.

Wiring

Caution

- 1. Provide the grounding to maintain the safety of the reduced wiring system and to improve the noise immunity.**
Provide a specific grounding as close to the Unit as possible to minimize the distance to grounding.
- 2. Avoid repeatedly bending or stretching the cable and applying a heavy object or force to it.**
Wiring applying repeated bending and tensile stress to the cable can break the circuit.
- 3. Avoid miswiring.**
If miswired, there is a danger of malfunction or damage to the reduced wiring system.
- 4. Do not wire while energizing the product.**
There is a danger of malfunction or damage to the reduced wiring system or input/output device.
- 5. Avoid wiring the power line and high pressure line in parallel.**
Noise or surge produced by signal line resulting from the power line or high pressure line could cause a malfunction.
Wiring of the reduced wiring system or input/output device and the power line or high pressure line should be separated from each other.
- 6. Check for the wiring insulation.**
Defective insulation (contact with other circuits, improper insulation between terminals, etc.) may cause damage to the reduced wiring system or input/output device due to excessive voltage or current.



Series EX600

Specific Product Precautions 2

Be sure to read this before handling. Refer to the back cover for Safety Instructions. For 3/4/5 Port Solenoid Valve Precautions, refer to "Handling Precautions for SMC Products" and the Operation Manual on SMC website, <http://www.smcworld.com>

Wiring

Caution

- 7. When the reduced wiring system is installed in machinery/equipment, provide adequate protection against noise by using noise filters etc.**
Noise in signal lines may cause a malfunction.
- 8. When connecting wires of input/output device or Handheld Terminal, prevent water, solvent or oil from entering inside from the connector section.**
Otherwise, this can cause damage, equipment failure or malfunction.
- 9. Avoid wiring patterns in which excessive stress is applied to the connector.**
This may cause equipment failure or malfunction due to contact failure.

Operating Environment

Warning

- 1. Do not use in an atmosphere containing an inflammable gas or explosive gas.**
Use in such an atmosphere is likely to cause a fire or explosion. This system is not explosion-proof.

Caution

- 1. Select the proper type of enclosure according to the environment of operation.**
IP65/67 is achieved when the following conditions are met.
 - 1) Provide appropriate wiring between Units using electrical wiring cables, communication connectors and cables with M12 connectors.
 - 2) Suitable mounting of each Unit and manifold valve.
 - 3) Be sure to mount a seal cap on any unused connectors.If using in an environment that is exposed to water splashes, please take measures such as using a cover.
When the enclosure is IP40, do not use in an operating environment or atmosphere where it may come in contact with corrosive gas, chemical agents, seawater, water, or water vapor. When connected to the EX600-D□□E or EX600-D□□F, manifold enclosure is IP40.
Also, the Handheld Terminal conforms to IP20, so prevent foreign matter from entering inside, and water, solvent or oil from coming in direct contact with it.
- 2. Provide adequate protection when operating in locations such as the following.**
Failure to do so may cause a malfunction or equipment failure. The effect of countermeasures should be checked in individual equipment and machine.
 - 1) Where noise is generated by static electricity etc.
 - 2) Where there is a strong electric field
 - 3) Where there is a danger of exposure to radiation
 - 4) When in close proximity to power supply lines

Operating Environment

Caution

- 3. Do not use in an environment where oil and chemicals are used.**
Operating in environments with coolants, cleaning solvents, various oils or chemicals may cause adverse effects (damage, malfunction) to the Unit even in a short period of time.
- 4. Do not use in an environment where the product could be exposed to corrosive gas or liquid.**
This may damage the Unit and cause it to malfunction.
- 5. Do not use in locations with sources of surge generation.**
Installation of the Unit in an area around the equipment (electromagnetic lifters, high frequency induction furnaces, welding machine, motors, etc.), which generates the large surge voltage could cause to deteriorate an internal circuitry element of the Unit or result in damage. Implement countermeasures against the surge from the generating source, and avoid touching the lines with each other.
- 6. Use the product type that has an integrated surge absorption element when directly driving a load which generates surge voltage by relay, solenoid valves or lamp.**
When a surge generating load is directly driven, the Unit may be damaged.
- 7. The product is CE marked, but not immune to lightning strikes. Take measures against lightning strikes in your system.**
- 8. Keep dust, wire scraps and other foreign matter from entering inside the product.**
This may cause equipment failure or malfunction.
- 9. Mount the Unit in such locations, where no vibration or shock is affected.**
This may cause equipment failure or malfunction.
- 10. Do not use in places where there are cyclic temperature changes.**
In case that the cyclic temperature is beyond normal temperature changes, the internal Unit is likely to be adversely affected.
- 11. Do not use in direct sunlight.**
This may cause equipment failure or malfunction.
- 12. Observe the ambient temperature range.**
This may cause a malfunction.
- 13. Do not use in places where there is radiated heat around it.**
Such places are likely to cause a malfunction.



Series EX600

Specific Product Precautions 3

Be sure to read this before handling. Refer to the back cover for Safety Instructions. For 3/4/5 Port Solenoid Valve Precautions, refer to "Handling Precautions for SMC Products" and the Operation Manual on SMC website, <http://www.smcworld.com>

Adjustment/ Operation

⚠ Warning

1. **Do not perform operation or setting with wet hands.**
There is a risk of electrical shock.

<Handheld Terminal>

2. **Do not apply pressure to the LCD.**
There is a possibility of the crack of LCD and injuring.
3. **The forced input/output function is used to change the signal status forcibly. When operating this function, be sure to check the safety of the surroundings and installation.**
This may cause, injuries or equipment damage.
4. **Incorrect setting of parameters can cause a malfunction. Be sure to check the settings before use.**
This may cause injuries or equipment damage.

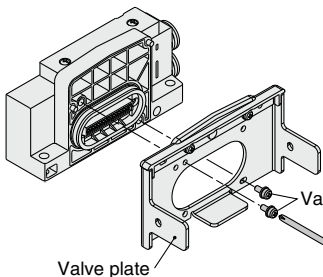
⚠ Caution

1. **Use a watchmakers' screwdriver with thin blade for the setting of each switch of the SI Unit. When setting the switch, do not touch other unrelated parts.**
This may cause parts damage or malfunction due to a short circuit.
2. **Provide adequate setting for the operating conditions.**
Failure to do so could result in malfunction. Refer to the Operation Manual for setting of the switches.
3. **For details on programming and address setting, refer to the manual from the PLC manufacturer.**
The content of programming related to protocol is designed by the manufacturer of the PLC used.

<Handheld Terminal>

4. **Do not press the setting buttons with a sharp pointed object.**
This may cause damage or equipment failure.
5. **Do not apply excessive load and impact to the setting buttons.**
This may cause damage, equipment failure or malfunction.

When the order does not include the SI Unit, a valve plate which connects the manifold and SI Unit, is not mounted. Use attached valve holding screws and mount the valve plate.
(Tightening torque: 0.6 to 0.7 N·m)



Screw tightened parts
 Series SV: 2 places
 Series S0700: 2 places
 Series VQC1000: 2 places
 Series VQC2000: 3 places
 Series VQC4000: 4 places
 Series SY: 2 places

Maintenance

⚠ Warning

1. **Do not disassemble, modify (including circuit board replacement) or repair this product.**
Such actions are likely to cause injuries or equipment failure.
2. **When an inspection is performed,**
 - Turn off the power supply.
 - Stop the air supply, exhaust the residual pressure in piping and verify that the air is released before performing maintenance work.
 Unexpected malfunction of system components and injury can result.

⚠ Caution

1. **When handling and replacing Units:**
 - Do not touch the sharp metal parts of the connector or plug.
 - Do not apply excessive force to the Unit when disassembling.
The connecting portions of the Unit are firmly joined with seals.
 - When joining Units, take care not to get fingers caught between Units.
Injury can result.
2. **Perform periodic inspection.**
Unexpected malfunction in the system composition devices is likely to occur due to malfunction of machinery or equipment.
3. **After maintenance, make sure to perform an appropriate functionality inspection.**
In cases of abnormality such as faulty operation, stop operation. Unexpected malfunction in the system composition devices is likely to occur.
4. **Do not use benzine and thinner for cleaning Units.**
Damage to the surface or erasure of the display can result. Wipe off any stains with a soft cloth. If the stain is persistent, wipe off with a cloth soaked in a dilute solution of neutral detergent and wrung out tightly, and then finish with a dry cloth.

Other

⚠ Caution


1. **Refer to the catalog of each series for Common Precautions and Specific Product Precautions on manifold solenoid valves.**


■ Trademark


DeviceNet™ is a trademark of ODVA.
 EtherNet/IP™ is a trademark of ODVA.
 EtherCAT® is registered trademark and patented technology, licensed by Beckhoff Automation GmbH, Germany.
 QuickConnect™ is a trademark of ODVA.

Safety Instructions

These safety instructions are intended to prevent hazardous situations and/or equipment damage. These instructions indicate the level of potential hazard with the labels of “**Caution**,” “**Warning**” or “**Danger**.” They are all important notes for safety and must be followed in addition to International Standards (ISO/IEC)*1), and other safety regulations.

 **Caution:** **Caution** indicates a hazard with a low level of risk which, if not avoided, could result in minor or moderate injury.

 **Warning:** **Warning** indicates a hazard with a medium level of risk which, if not avoided, could result in death or serious injury.

 **Danger :** **Danger** indicates a hazard with a high level of risk which, if not avoided, will result in death or serious injury.

*1) ISO 4414: Pneumatic fluid power – General rules relating to systems.
 ISO 4413: Hydraulic fluid power – General rules relating to systems.
 IEC 60204-1: Safety of machinery – Electrical equipment of machines.
 (Part 1: General requirements)
 ISO 10218-1: Manipulating industrial robots – Safety.
 etc.

Warning

1. The compatibility of the product is the responsibility of the person who designs the equipment or decides its specifications.

Since the product specified here is used under various operating conditions, its compatibility with specific equipment must be decided by the person who designs the equipment or decides its specifications based on necessary analysis and test results. The expected performance and safety assurance of the equipment will be the responsibility of the person who has determined its compatibility with the product. This person should also continuously review all specifications of the product referring to its latest catalog information, with a view to giving due consideration to any possibility of equipment failure when configuring the equipment.

2. Only personnel with appropriate training should operate machinery and equipment.

The product specified here may become unsafe if handled incorrectly. The assembly, operation and maintenance of machines or equipment including our products must be performed by an operator who is appropriately trained and experienced.

3. Do not service or attempt to remove product and machinery/equipment until safety is confirmed.

1. The inspection and maintenance of machinery/equipment should only be performed after measures to prevent falling or runaway of the driven objects have been confirmed.
2. When the product is to be removed, confirm that the safety measures as mentioned above are implemented and the power from any appropriate source is cut, and read and understand the specific product precautions of all relevant products carefully.
3. Before machinery/equipment is restarted, take measures to prevent unexpected operation and malfunction.

4. Contact SMC beforehand and take special consideration of safety measures if the product is to be used in any of the following conditions.

1. Conditions and environments outside of the given specifications, or use outdoors or in a place exposed to direct sunlight.
2. Installation on equipment in conjunction with atomic energy, railways, air navigation, space, shipping, vehicles, military, medical treatment, combustion and recreation, or equipment in contact with food and beverages, emergency stop circuits, clutch and brake circuits in press applications, safety equipment or other applications unsuitable for the standard specifications described in the product catalog.
3. An application which could have negative effects on people, property, or animals requiring special safety analysis.
4. Use in an interlock circuit, which requires the provision of double interlock for possible failure by using a mechanical protective function, and periodical checks to confirm proper operation.

Caution

1. The product is provided for use in manufacturing industries.

The product herein described is basically provided for peaceful use in manufacturing industries.
 If considering using the product in other industries, consult SMC beforehand and exchange specifications or a contract if necessary.
 If anything is unclear, contact your nearest sales branch.

Limited warranty and Disclaimer/ Compliance Requirements

The product used is subject to the following “Limited warranty and Disclaimer” and “Compliance Requirements”.

Read and accept them before using the product.

Limited warranty and Disclaimer

1. The warranty period of the product is 1 year in service or 1.5 years after the product is delivered, whichever is first.*2)
 Also, the product may have specified durability, running distance or replacement parts. Please consult your nearest sales branch.
2. For any failure or damage reported within the warranty period which is clearly our responsibility, a replacement product or necessary parts will be provided.
 This limited warranty applies only to our product independently, and not to any other damage incurred due to the failure of the product.
3. Prior to using SMC products, please read and understand the warranty terms and disclaimers noted in the specified catalog for the particular products.

*2) Vacuum pads are excluded from this 1 year warranty.

A vacuum pad is a consumable part, so it is warranted for a year after it is delivered.
 Also, even within the warranty period, the wear of a product due to the use of the vacuum pad or failure due to the deterioration of rubber material are not covered by the limited warranty.

Compliance Requirements

1. The use of SMC products with production equipment for the manufacture of weapons of mass destruction (WMD) or any other weapon is strictly prohibited.
2. The exports of SMC products or technology from one country to another are governed by the relevant security laws and regulations of the countries involved in the transaction. Prior to the shipment of a SMC product to another country, assure that all local rules governing that export are known and followed.

Caution

SMC products are not intended for use as instruments for legal metrology.

Measurement instruments that SMC manufactures or sells have not been qualified by type approval tests relevant to the metrology (measurement) laws of each country. Therefore, SMC products cannot be used for business or certification ordained by the metrology (measurement) laws of each country.

Revision history

Edition B * EtherNet/IP™ communication protocol added.
 * Analog Output Unit and Input/Output Unit added.
 * D-sub connector and Spring type terminal block added.
 * Applicable solenoid valve SY3000/5000 series added.
 * Number of pages decreased from 64 to 60.

OW

Edition C * EtherCAT® communication protocol added.


PX

Edition D * PROFINET communication protocol added.

RS

Edition E * Dual port EtherNet/IP™ product added.
 * Applicable solenoid valve SY7000 series added.

TS

 **Safety Instructions** Be sure to read “Handling Precautions for SMC Products” (M-E03-3) before using.