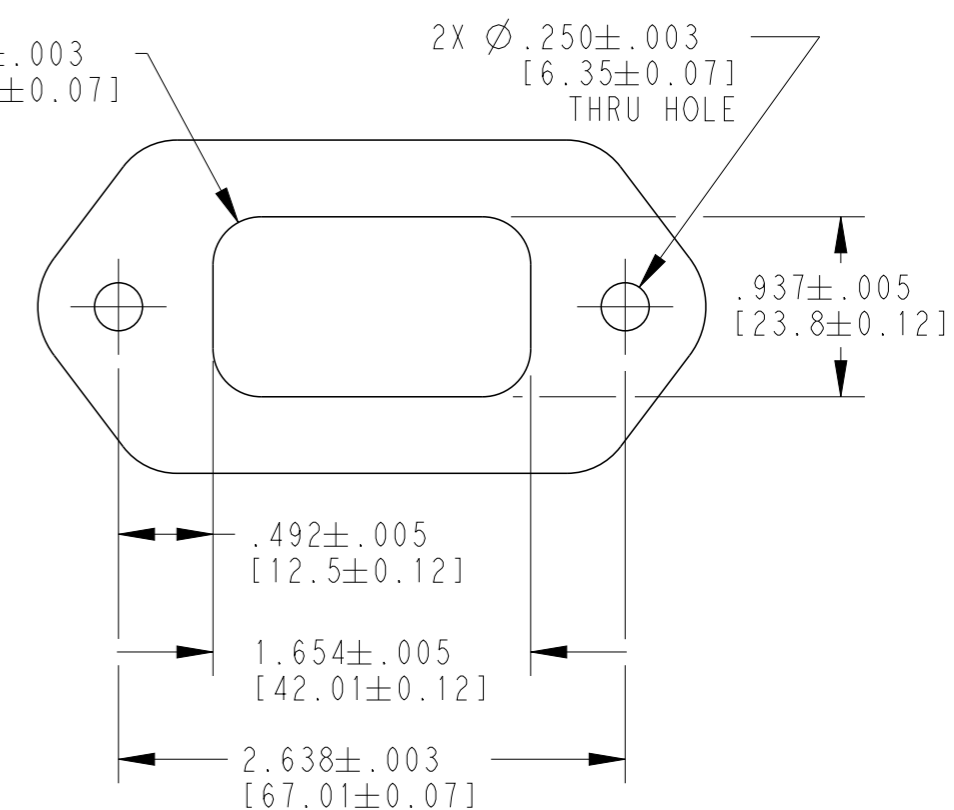
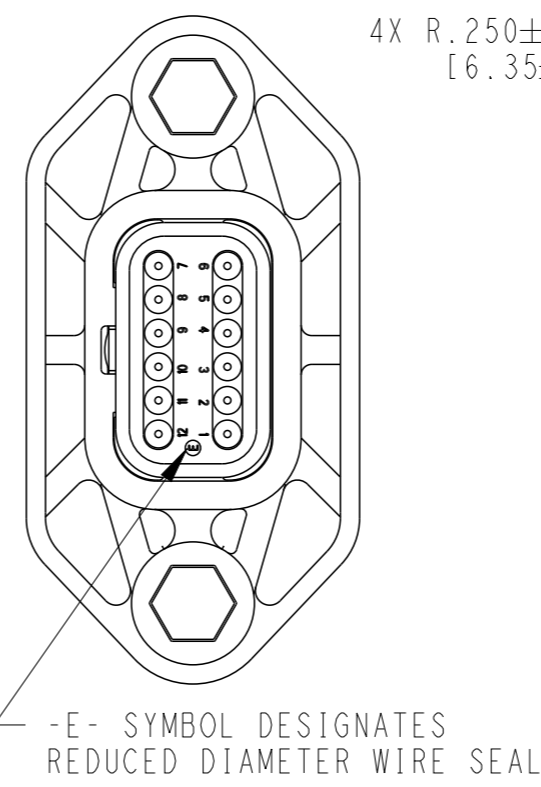
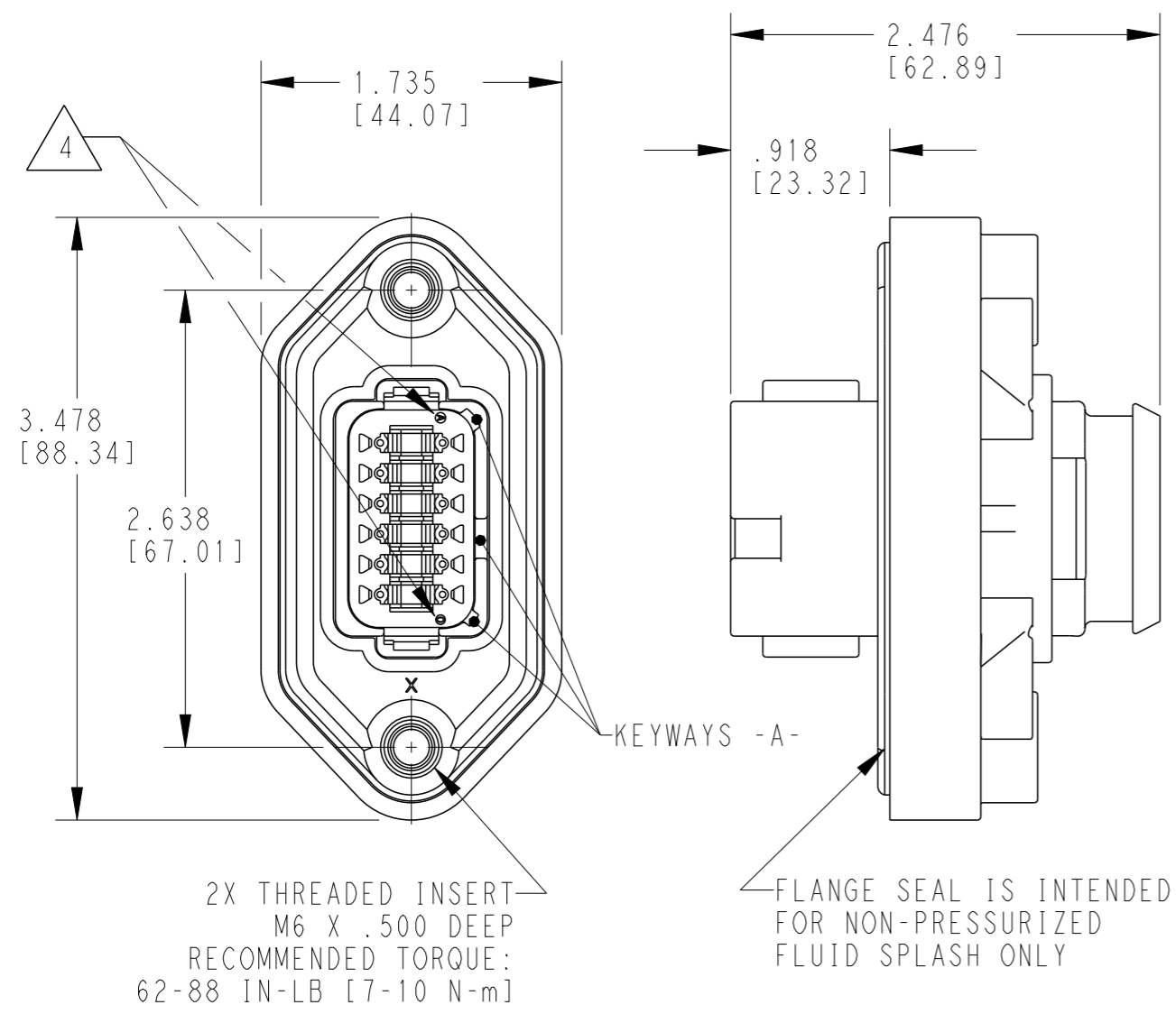


REVISIONS					
P	LTR	DESCRIPTION	DATE	DWN	APVD
A1		REVISED PER PCN E-17-012564	28AUG2017	JA	DM
B		REVISED PER PCN E-19-014633	13FEB2019	AK	NS



RECOMMENDED PANEL-CUTOUT

- 4 DATE CODE: MONTH IS REPRESENTED BY SEQUENTIAL ALPHA CHARACTERS. EX: A = JANUARY, YEAR IS REPRESENTED BY LAST NUMERICAL DIGIT. EX: 0 = 2010
- 3 MATERIAL: HOUSING, CAP: PA66 GF15 (GRAY)
 FLANGE: PA66 GF15 (BLACK)
 GROMMET, GASKET: VMQ (BURNT RED)
 INSERTS: STAINLESS STEEL

2. THIS RECEPTACLE MATES WITH DT06-12SA-XXXX PLUG.
 (XXXX = ALL MODIFICATIONS)
 CONSULT FACTORY FOR MODIFICATIONS.

- 1 FOR CONTACTS AND WIRE PERFORMANCE AND APPLICATION CHARACTERISTICS, SEE ENVELOPE DRAWING 0425-015-0000.

NOTES: UNLESS OTHERWISE SPECIFIED

TE INTERNAL PN	DEUTSCH PN
DT04-12PA-BL10	DT04-12PA-BL10

CONTACT SIZE	MIN. INSUL. O.D.	MAX. INSUL. O.D.	WIRE RANGE [mm ²] REF ONLY
16	.053 [1.35]	.120 [3.05]	14-20 AWG [2.5-0.5]

THIS DRAWING IS A CONTROLLED DOCUMENT.		DWN X. SANCHEZ 12FEB2004		
DIMENSIONS: in [mm]		CHK B. BYFORD 13MAY2004		
TOLERANCES UNLESS OTHERWISE SPECIFIED:		APVD T. YOHANNES 13MAY2004	NAME 12 WAY RECEPTACLE WITH ENHANCED KEY AND SHRINK BOOT DT SERIES	
0 PLC ±		PRODUCT SPEC 108-151009	SIZE A3	
1 PLC ±		APPLICATION SPEC 114-151009	CAGE CODE 4AFU8	DRAWING NO. DT04-12PA-BL10
2 PLC ±		WEIGHT 88.31g	RESTRICTED TO -	
3 PLC ±.025 [0.64]		CUSTOMER DRAWING	SCALE 1:1	SHEET 1 OF 1
4 PLC ±			REV B	
ANGLES ±0° 30' 0"				
FINISH				

Mouser Electronics

Authorized Distributor

Click to View Pricing, Inventory, Delivery & Lifecycle Information:

[TE Connectivity:](#)

[DT04-12PA-BL10](#)