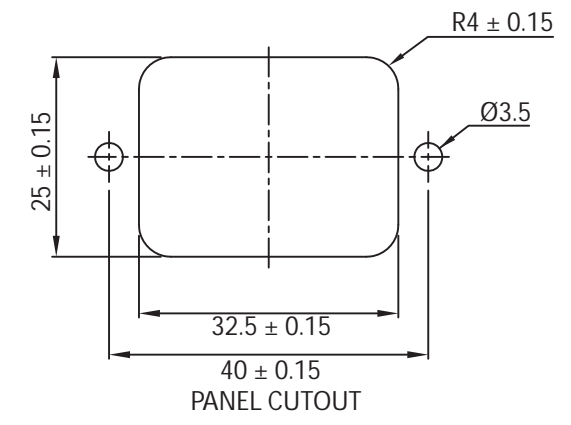
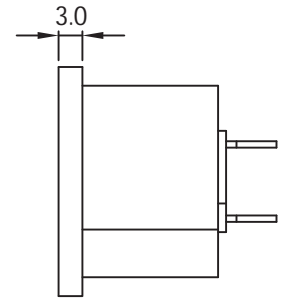
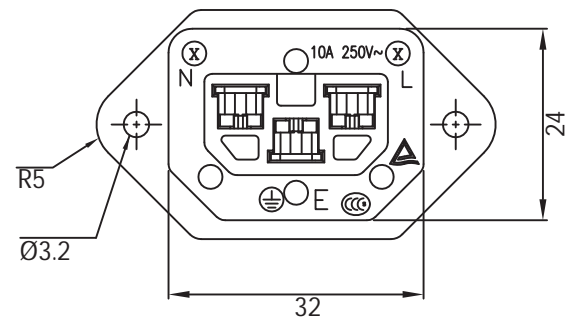
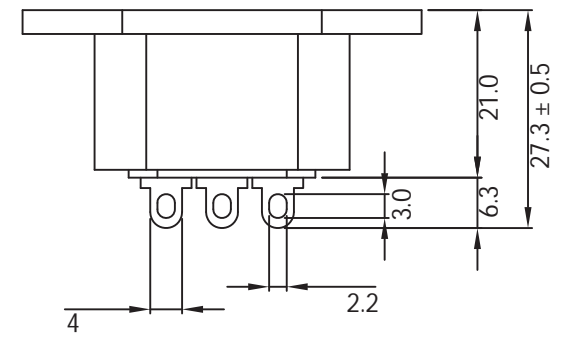
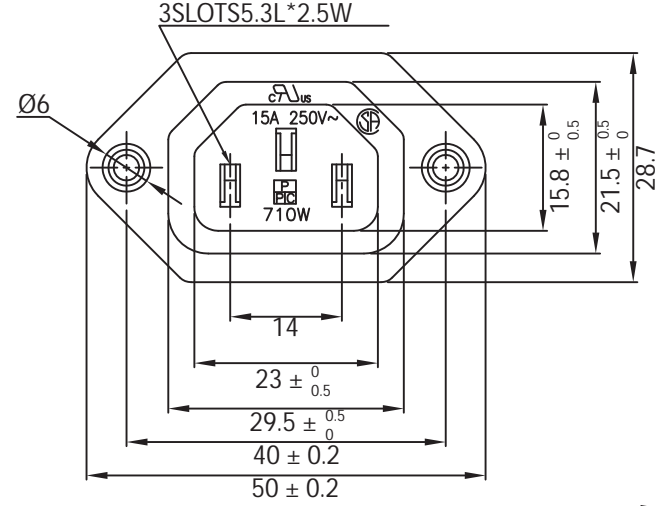


THESE DRAWINGS ARE THE PROPERTY OF QUALTEK ELECTRONICS AND NOT TO BE REPRODUCED FOR OR COMMUNICATED TO A THIRD PARTY WITHOUT THE EXPRESS WRITTEN PERMISSION OF AN OFFICER OF QUALTEK ELECTRONICS.

REVISION			
REV.	DESCRIPTION	DATE	APPROVED
B	RoHS Compliancy	06-01-06	DP
C	Updated Specifications	11-09-11	LY
D	Updated Approvals	03-08-16	LY
E	Depth Change for UL 60320 Requirements	10-01-19	LY



**CONTROLLED**

NOTES:

MATERIAL:

HOUSING: PBT BLACK COLOR  
 TERMINAL: BRASS STRIP t=0.8mm TIN-PLATED

RATING:

UL, CSA: 15A 250V AC  
 TUV, CCC: 10A 250V AC

APPROVALS: UL, CSA, TUV, CCC  
 RoHS COMPLIANT

Dim range (mm)	Tolerance +/- (mm)	Qualtek Electronics Corp. PPC DIVISION		
		Part Number: 710W-00/01	RoHS Compliant	
0-1	0.40	Description: AC RECEPTACLE		
1-6	0.50			
6-18	0.60			
18-50	0.70			
50-120	0.80			
120-250	0.90	UNIT: mm	REV. E	
250-500	1.20	Drawn / Date	Checked / Date	Approved / Date
		B. ZHANG 01-14-05	01-14-05	JJH / 01-14-05

# Mouser Electronics

Authorized Distributor

Click to View Pricing, Inventory, Delivery & Lifecycle Information:

[Qualtek:](#)

[710W-00/01](#)