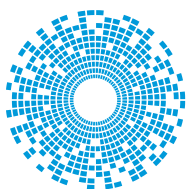


JOHNSON™



UMC Ultraminiature Connectors



cinch
CONNECTIVITY SOLUTIONS
a bel group

belfuse.com/cinch

About Bel

Bel is a publicly traded company that has been operated by the same family for over 65 years. Our history of organic growth and acquisitions have broadened our product portfolio. This has established Bel as a world leader with a diverse offering of power, protection and interconnect products. We design and manufacture these products which are primarily used in the networking, telecommunications, computing, military, aerospace, transportation and broadcasting industries. Bel's portfolio of products also finds application in the automotive, medical and consumer electronics markets.

About Cinch Connectivity Solutions

For over 100 years, Cinch Connectivity Solutions has manufactured high quality and reliable high performance connectors and cable assemblies. Cinch is recognized as a world class connectivity supplier of RF, fiber optic, hybrid, microwave components, circular, d-subminiatures, modular rectangular, electronic enclosures and cable assemblies. Cinch provides innovative solutions to the military, commercial aerospace, networking, telecommunication, test and measurement, oil and gas and other harsh environment industries. We aim to exceed our customers' expectations and continually offer innovative solutions to the rapidly changing needs of the markets and customers we serve.

Along with our parent company, Bel Fuse Inc., our mission is to provide products and services using established quality standards and to meet our customer expectations. To fulfill this objective, we strive to produce components and assemblies that embody optimum levels of reliability and performance in their design, manufacture, and delivery. Cinch Connectivity Solutions has consistently proven to be a valuable supplier to the foremost companies in its chosen industries by developing cost effective solutions for the challenges of new product development.

Table of Contents

| | |
|-----------------------------|----|
| Product Specifications | 3 |
| UMC Cable Assembly | 4 |
| UMC MMCX Cable Assembly | 5 |
| UMC SMA Cable Assembly | 6 |
| UMC SMA RP Cable Assembly | 7 |
| UMC Bare End Cable Assembly | 8 |
| UMC PCB Jack Assembly | 9 |
| UMC Accessories | 10 |
| Cross Reference | 11 |

Product Specification

Cinch Connectivity Solutions UMC Ultraminiature Coaxial Connectors and Cable Assemblies are the answer for quality, snap-on connections built to meet your cost and performance targets.

The UMC cable plugs and jack receptacles offer 2.0mm and 2.5mm maximum mated height options with DC to 6 GHz electrical performance.

All parts are RoHS compliant and mate with the Hirose U.FL series connectors.

Applications

- Wireless LAN, Mini-PCI, and Hand-Held RF Devices
- GSM, GPRS & CDMA Mobile Phones
- PDA & Notebook Computer
- GPS
- Bluetooth
- Microwave radio and measurement

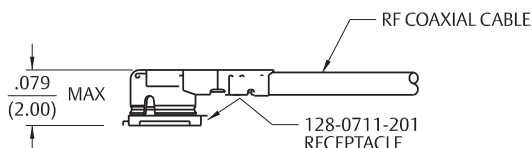
Features

- Excellent cost to performance ratio.
- Ultra-low profile connections (2.0mm & 2.5mm max. mated height).
- R/A plug to R/A plug cable assemblies on .81mm, 1.13mm, 1.32mm and 1.37mm cables.
- UMC cables available in a variety of standard off-the-shelf lengths (from 50mm to 500mm).
- Between-series cables available with standard & reverse polarity SMA plugs and Bulkhead jacks or MMCX plugs on one end of the cable and the UMC plug on the other end.
- 6. Surface-mount jack receptacles available on tape and reel (2,500 per reel).
- In-series UMC adapters available to support testing requirements.
- All cabled plugs and jack receptacles are supplied with gold plated contacts and bodies.
- UMC connectors mate with Hirose U.FL series connectors.

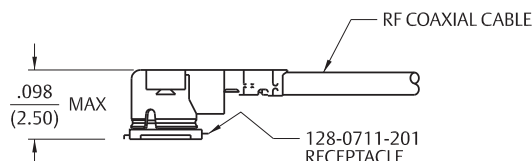
Electrical Characteristics

| | | | |
|------------------------------|--------------------------------------|--------------------------------------|--|
| Impedence | 50 Ω (Nominal) | | |
| Operating Temperature | -40°C to +85°C | | |
| Storage Temperature | -10°C to +40°C at humidity 15% ~ 60% | | |
| Frequency Rating | 0-6 GHz | | |
| VSWR | 1.30 max (0-6 GHz) | | |
| Contact Resistance | 20 m Ω max. (Center) | 20 m Ω max. (Outer, for plug) | 10 m Ω max. (Outer, for receptacle) |
| Withstanding Voltage | 200 V AC | | |
| Insulation Resistance | 500 M Ω min. | | |
| Durability | 30 cycles | | |
| Holding Force (min.) | 0.15 N (Female contact) | | |

LP Plug (Low Profile Plug)



MP Plug (Medium Profile Plug)



UMC Cable Assembly

Low Profile



UMC Right Angle Cable Plug to UMC Right Angle Cable Plug

| Part No. | Teflon Coaxial Cable O.D. | Cable Length | Connector A | Plug Mated Height | Connector B |
|--------------|---------------------------|--------------|-------------|-------------------|-------------|
| 415-0084-050 | 0.81 mm | 50 mm | UMC LP PLUG | 2.0 mm | UMC LP PLUG |
| 415-0084-100 | 0.81 mm | 100 mm | UMC LP PLUG | 2.0 mm | UMC LP PLUG |
| 415-0084-150 | 0.81 mm | 150 mm | UMC LP PLUG | 2.0 mm | UMC LP PLUG |
| 415-0084-200 | 0.81 mm | 200 mm | UMC LP PLUG | 2.0 mm | UMC LP PLUG |
| 415-0084-250 | 0.81 mm | 250 mm | UMC LP PLUG | 2.0 mm | UMC LP PLUG |
| 415-0084-300 | 0.81 mm | 300 mm | UMC LP PLUG | 2.0 mm | UMC LP PLUG |
| 415-0084-500 | 0.81 mm | 500 mm | UMC LP PLUG | 2.0 mm | UMC LP PLUG |

Medium Profile



UMC Right Angle Cable Plug to UMC Right Angle Cable Plug

| Part No. | Teflon Coaxial Cable O.D. | Cable Length | Connector A | Plug Mated Height | Connector B |
|--------------|---------------------------|--------------|-------------|-------------------|-------------|
| 415-0084-050 | 0.81 mm | 50 mm | UMC MP PLUG | 2.5 mm | UMC MP PLUG |
| 415-0084-100 | 0.81 mm | 100 mm | UMC MP PLUG | 2.5 mm | UMC MP PLUG |
| 415-0084-150 | 0.81 mm | 150 mm | UMC MP PLUG | 2.5 mm | UMC MP PLUG |
| 415-0084-200 | 0.81 mm | 200 mm | UMC MP PLUG | 2.5 mm | UMC MP PLUG |
| 415-0084-250 | 0.81 mm | 250 mm | UMC MP PLUG | 2.5 mm | UMC MP PLUG |
| 415-0084-300 | 0.81 mm | 300 mm | UMC MP PLUG | 2.5 mm | UMC MP PLUG |
| 415-0084-500 | 0.81 mm | 500 mm | UMC MP PLUG | 2.5 mm | UMC MP PLUG |
| 415-0085-050 | 1.13 mm | 50 mm | UMC MP PLUG | 2.5 mm | UMC MP PLUG |
| 415-0085-100 | 1.13 mm | 100 mm | UMC MP PLUG | 2.5 mm | UMC MP PLUG |
| 415-0085-150 | 1.13 mm | 150 mm | UMC MP PLUG | 2.5 mm | UMC MP PLUG |
| 415-0085-200 | 1.13 mm | 200 mm | UMC MP PLUG | 2.5 mm | UMC MP PLUG |
| 415-0085-250 | 1.13 mm | 250 mm | UMC MP PLUG | 2.5 mm | UMC MP PLUG |
| 415-0085-300 | 1.13 mm | 300 mm | UMC MP PLUG | 2.5 mm | UMC MP PLUG |
| 415-0085-500 | 1.13 mm | 500 mm | UMC MP PLUG | 2.5 mm | UMC MP PLUG |
| 415-0087-050 | 1.32 mm | 50 mm | UMC MP PLUG | 2.5 mm | UMC MP PLUG |
| 415-0087-100 | 1.32 mm | 100 mm | UMC MP PLUG | 2.5 mm | UMC MP PLUG |
| 415-0087-150 | 1.32 mm | 150 mm | UMC MP PLUG | 2.5 mm | UMC MP PLUG |
| 415-0087-200 | 1.32 mm | 200 mm | UMC MP PLUG | 2.5 mm | UMC MP PLUG |
| 415-0087-250 | 1.32 mm | 250 mm | UMC MP PLUG | 2.5 mm | UMC MP PLUG |
| 415-0087-300 | 1.32 mm | 300 mm | UMC MP PLUG | 2.5 mm | UMC MP PLUG |
| 415-0087-500 | 1.32 mm | 500 mm | UMC MP PLUG | 2.5 mm | UMC MP PLUG |
| 415-0088-050 | 1.37 mm | 50 mm | UMC MP PLUG | 2.5 mm | UMC MP PLUG |
| 415-0088-100 | 1.37 mm | 100 mm | UMC MP PLUG | 2.5 mm | UMC MP PLUG |
| 415-0088-150 | 1.37 mm | 150 mm | UMC MP PLUG | 2.5 mm | UMC MP PLUG |
| 415-0088-200 | 1.37 mm | 200 mm | UMC MP PLUG | 2.5 mm | UMC MP PLUG |
| 415-0088-250 | 1.37 mm | 250 mm | UMC MP PLUG | 2.5 mm | UMC MP PLUG |
| 415-0088-300 | 1.37 mm | 300 mm | UMC MP PLUG | 2.5 mm | UMC MP PLUG |
| 415-0088-500 | 1.37 mm | 500 mm | UMC MP PLUG | 2.5 mm | UMC MP PLUG |

UMC MMCX Cable Assembly

Low Profile

UMC Right Angle Cable Plug to MMCX Right Angle Plug



| Part No. | Teflon Coaxial Cable O.D. | Cable Length | Connector A | Height | Connector B |
|--------------|---------------------------|--------------|-------------|--------|--------------|
| 415-0101-150 | 0.81 mm | 150 mm | UMC LP PLUG | 2.0 mm | MMCX RA PLUG |
| 415-0101-250 | 0.81 mm | 250 mm | UMC LP PLUG | 2.0 mm | MMCX RA PLUG |

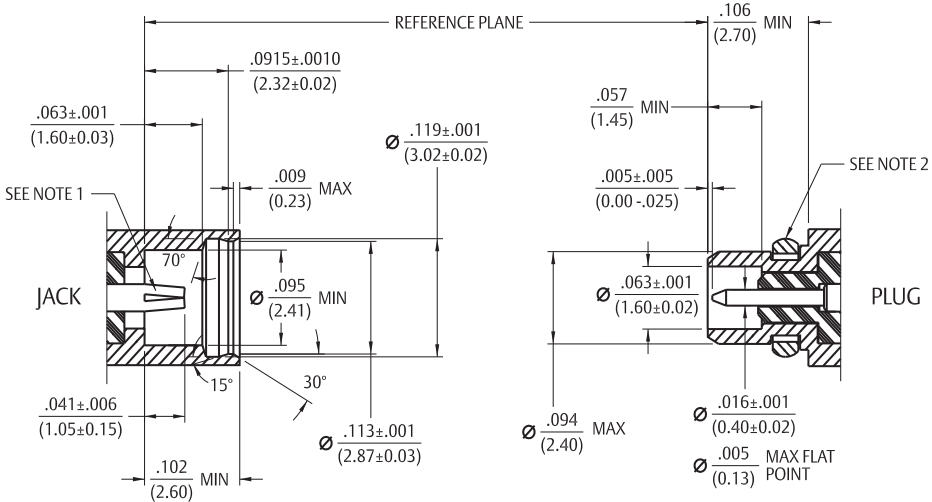
Medium Profile

UMC Right Angle Cable Plug to MMCX Right Angle Plug



| Part No. | Teflon Coaxial Cable O.D. | Cable Length | Connector A | Height | Connector B |
|--------------|---------------------------|--------------|-------------|--------|--------------|
| 415-0102-150 | 0.81 mm | 150 mm | UMC MP PLUG | 2.5 mm | MMCX RA PLUG |
| 415-0102-250 | 0.81 mm | 250 mm | UMC MP PLUG | 2.5 mm | MMCX RA PLUG |
| 415-0103-150 | 1.37 mm | 150 mm | UMC MP PLUG | 2.5 mm | MMCX RA PLUG |
| 415-0103-250 | 1.37 mm | 250 mm | UMC MP PLUG | 2.5 mm | MMCX RA PLUG |

- NOTES
1. ID OF CONTACT TO MEET VSWR MATING CHARACTERISTICS AND CONNECTOR DURABILITY WHEN MATED WITH A DIA, .016±.001 MALE CONTACT.
 2. MUST MEET THE FORCE TO ENGAGE AND DISENGAGE WHEN MATED WITH PART.



ULTRA MINIATURE CONNECTORS

UMC SMA Cable Assembly

Low Profile

UMC Right Angle Cable Plug to SMA Straight Plug



| Part No. | Teflon Coaxial Cable O.D. | Cable Length | Connector A | Height | Connector B |
|--------------|---------------------------|--------------|-------------|--------|---------------|
| 415-0089-150 | 0.81 mm | 150 mm | UMC LP PLUG | 2.0 mm | SMA STR. PLUG |
| 415-0089-250 | 0.81 mm | 250 mm | UMC LP PLUG | 2.0 mm | SMA STR. PLUG |

Medium Profile

UMC Right Angle Cable Plug to SMA Straight Plug



| Part No. | Teflon Coaxial Cable O.D. | Cable Length | Connector A | Height | Connector B |
|--------------|---------------------------|--------------|-------------|--------|---------------|
| 415-0090-150 | 0.81 mm | 150 mm | UMC MP PLUG | 2.5 mm | SMA STR. PLUG |
| 415-0090-250 | 0.81 mm | 250 mm | UMC MP PLUG | 2.5 mm | SMA STR. PLUG |
| 415-0091-150 | 1.37 mm | 150 mm | UMC MP PLUG | 2.5 mm | SMA STR. PLUG |
| 415-0091-250 | 1.37 mm | 250 mm | UMC MP PLUG | 2.5 mm | SMA STR. PLUG |

Low Profile

UMC Right Angle Cable Plug to SMA Straight Jack



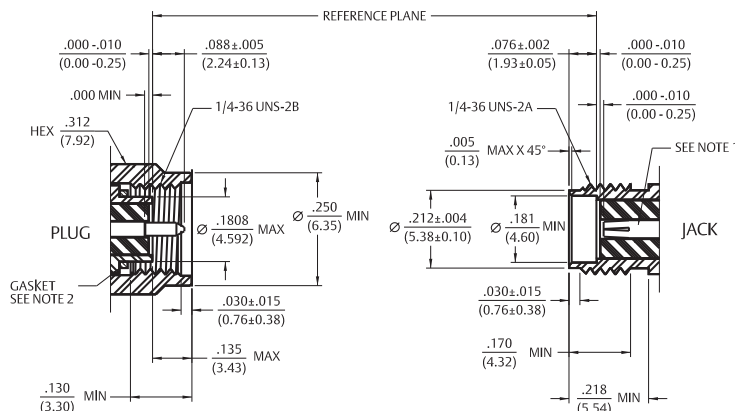
| Part No. | Teflon Coaxial Cable O.D. | Cable Length | Connector A | Height | Connector B |
|--------------|---------------------------|--------------|-------------|--------|--------------------|
| 415-0095-150 | 0.81 mm | 150 mm | UMC LP PLUG | 2.0 mm | SMA STR BKHD. JACK |
| 415-0095-250 | 0.81 mm | 250 mm | UMC LP PLUG | 2.0 mm | SMA STR BKHD. JACK |

Medium Profile

UMC Right Angle Cable Plug to SMA Straight Jack



| Part No. | Teflon Coaxial Cable O.D. | Cable Length | Connector A | Height | Connector B |
|--------------|---------------------------|--------------|-------------|--------|--------------------|
| 415-0096-150 | 0.81 mm | 150 mm | UMC MP PLUG | 2.5 mm | SMA STR BKHD. JACK |
| 415-0096-250 | 0.81 mm | 250 mm | UMC MP PLUG | 2.5 mm | SMA STR BKHD. JACK |
| 415-0097-150 | 1.37 mm | 150 mm | UMC MP PLUG | 2.5 mm | SMA STR BKHD. JACK |
| 415-0097-250 | 1.37 mm | 250 mm | UMC MP PLUG | 2.5 mm | SMA STR BKHD. JACK |



NOTES

1. ID TO MEET VSWR, CONTACT RESISTANCE AND INSERTION WITHDRAWL FORCES WHEN MATED WITH A DIA. .0355 - .0370 PIN.
2. GASKET IS NOT SUPPLIED WITH BRASS CONNECTORS.

UMC SMA Reverse Polarity Cable Assembly

Low Profile

UMC Right Angle Cable Plug to SMA Straight Reverse Polarity Plug

| Part No. | Teflon Coaxial Cable O.D. | Cable Length | Connector A | Height | Connector B |
|--------------|---------------------------|--------------|-------------|--------|------------------|
| 415-0092-150 | 0.81 mm | 150 mm | UMC LP PLUG | 2.0 mm | SMA STR. RP PLUG |
| 415-0092-250 | 0.81 mm | 250 mm | UMC LP PLUG | 2.0 mm | SMA STR. RP PLUG |



Medium Profile

UMC Right Angle Cable Plug to SMA Straight Reverse Polarity Plug

| Part No. | Teflon Coaxial Cable O.D. | Cable Length | Connector A | Height | Connector B |
|--------------|---------------------------|--------------|-------------|--------|------------------|
| 415-0093-150 | 0.81 mm | 150 mm | UMC MP PLUG | 2.5 mm | SMA STR. RP PLUG |
| 415-0093-250 | 0.81 mm | 250 mm | UMC MP PLUG | 2.5 mm | SMA STR. RP PLUG |
| 415-0094-150 | 1.37 mm | 150 mm | UMC MP PLUG | 2.5 mm | SMA STR. RP PLUG |
| 415-0094-250 | 1.37 mm | 250 mm | UMC MP PLUG | 2.5 mm | SMA STR. RP PLUG |



Low Profile

UMC Right Angle Cable Plug to SMA Straight Bulkhead Rev. Polarity Jack

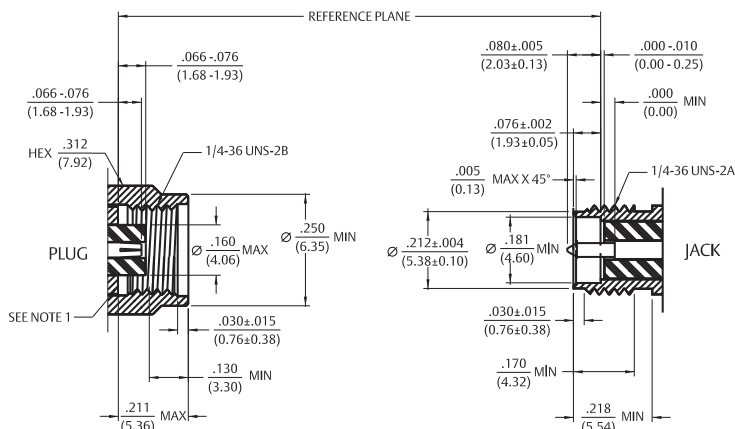
| Part No. | Teflon Coaxial Cable O.D. | Cable Length | Connector A | Height | Connector B |
|--------------|---------------------------|--------------|-------------|--------|-----------------------|
| 415-0098-150 | 0.81 mm | 150 mm | UMC LP PLUG | 2.0 mm | SMA STR BKHD. RP JACK |
| 415-0098-250 | 0.81 mm | 250 mm | UMC LP PLUG | 2.0 mm | SMA STR BKHD. RP JACK |



Medium Profile

UMC Right Angle Cable Plug to SMA Straight Bulkhead Rev. Polarity Jack

| Part No. | Teflon Coaxial Cable O.D. | Cable Length | Connector A | Height | Connector B |
|--------------|---------------------------|--------------|-------------|--------|-----------------------|
| 415-0099-150 | 0.81 mm | 150 mm | UMC MP PLUG | 2.5 mm | SMA STR BKHD. RP JACK |
| 415-0096-250 | 0.81 mm | 250 mm | UMC MP PLUG | 2.5 mm | SMA STR BKHD. RP JACK |
| 415-0100-150 | 1.37 mm | 150 mm | UMC MP PLUG | 2.5 mm | SMA STR BKHD. RP JACK |
| 415-0100-250 | 1.37 mm | 250 mm | UMC MP PLUG | 2.5 mm | SMA STR BKHD. RP JACK |

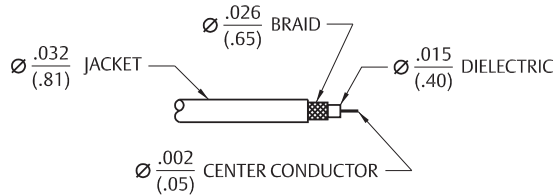


NOTES
1. ID TO MEET VSWR, CONTACT RESISTANCE AND INSERTION WITHDRAWAL FORCES WHEN MATED WITH A DIA. .0355 - .0370 PIN.

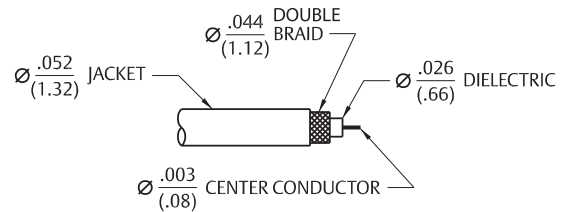
ULTRA MINIATURE CONNECTORS

UMC Bare End Assembly

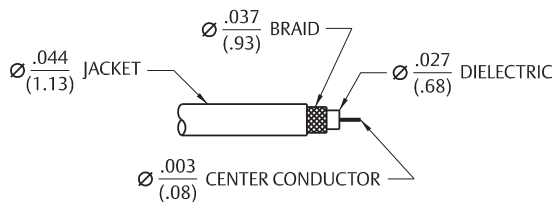
0.81 mm Coaxial Cable



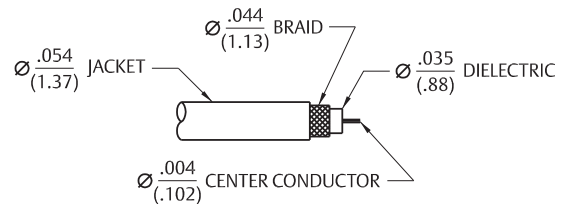
1.32 mm Coaxial Cable



1.13 mm Coaxial Cable



1.37 mm Coaxial Cable



Low Profile

UMC Right Angle Cable Plug to Bare End



| Part No. | Teflon Coaxial Cable O.D. | Cable Length | Connector A | Height | Connector B |
|--------------|---------------------------|--------------|-------------|--------|-------------|
| 415-0104-150 | 0.81 mm | 150 mm | UMC LP PLUG | 2.0 mm | BARE END |
| 415-0104-250 | 0.81 mm | 250 mm | UMC LP PLUG | 2.0 mm | BARE END |

Medium Profile

UMC Right Angle Cable Plug to Bare End

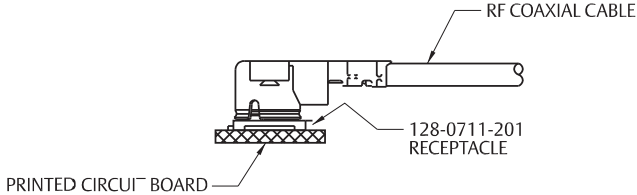


| Part No. | Teflon Coaxial Cable O.D. | Cable Length | Connector A | Height | Connector B |
|--------------|---------------------------|--------------|-------------|--------|-------------|
| 415-0105-150 | 0.81 mm | 150 mm | UMC MP PLUG | 2.5 mm | BARE END |
| 415-0105-250 | 0.81 mm | 250 mm | UMC MP PLUG | 2.5 mm | BARE END |
| 415-0106-150 | 1.13 mm | 150 mm | UMC MP PLUG | 2.5 mm | BARE END |
| 415-0106-250 | 1.13 mm | 250 mm | UMC MP PLUG | 2.5 mm | BARE END |
| 415-0107-150 | 1.32 mm | 150 mm | UMC MP PLUG | 2.5 mm | BARE END |
| 415-0107-250 | 1.32 mm | 250 mm | UMC MP PLUG | 2.5 mm | BARE END |
| 415-0108-150 | 1.37 mm | 150 mm | UMC MP PLUG | 2.5 mm | BARE END |
| 415-0108-250 | 1.37 mm | 250 mm | UMC MP PLUG | 2.5 mm | BARE END |

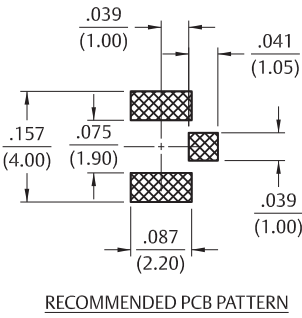
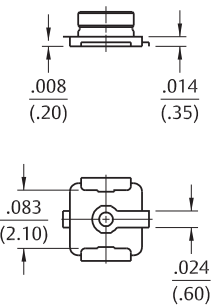
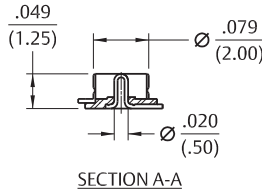
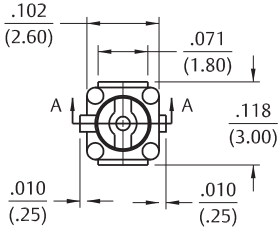
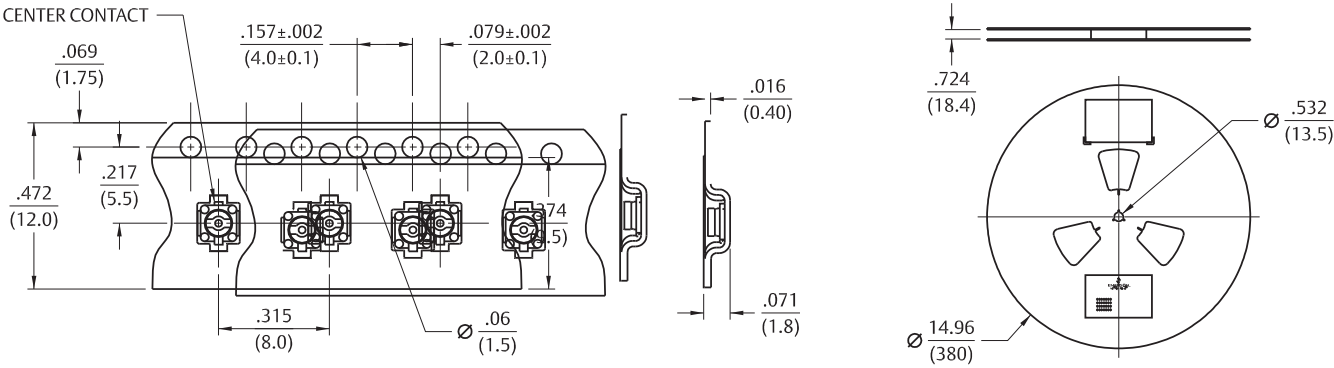
UMC PCB Jack Receptacle

Straight Jack Receptacle - Surface Mount

| Part No. | Tape & Reel |
|--------------|-------------|
| 128-0711-201 | 2,500/REEL |



Tape and Reel



ULTRA MINIATURE CONNECTORS

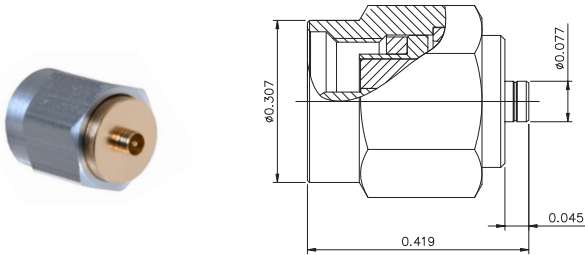
UMC Accessories

SMA Conversion Adapter for Mating UMC Plugs

SMA Plug to UMC Jack

Part No.

134-1019-361

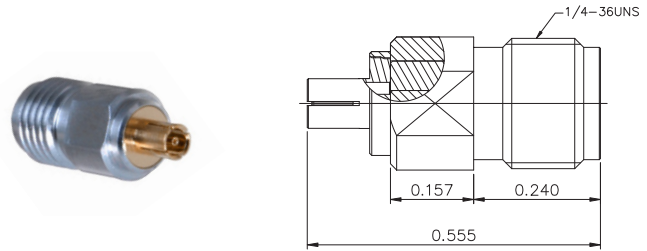


SMA Conversion Adapter for Surface Mount Jack Receptacle 128-0711-201

SMA Jack to UMC Plug

Part No.

134-1019-371



UMC Separation Key

This key is used for extraction from a mated or coupled condition

Part No.

128-0000-901

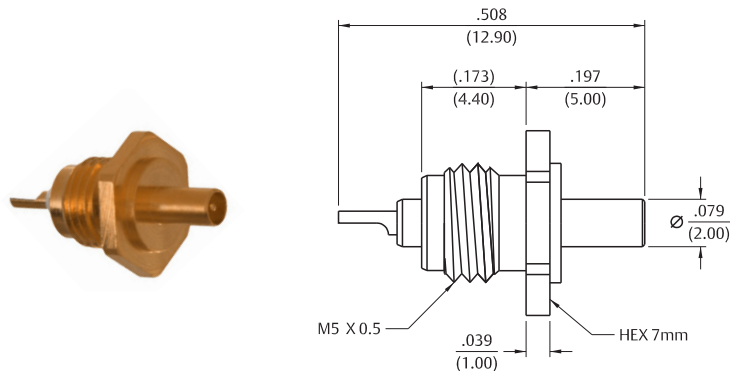


Inspection Tool for Cable Assembly

This receptacle is used for inspecting the continuity, withstand voltage and other aspects of the cable assembly product

Part No.

134-1019-381



UMC to U.FL Cross Reference

| Cinch Part Number | HIROSE |
|-------------------|------------------------|
| 128-0711-201 | U.FL-R-SMT(10) |
| 415-0084-050 | U.FL-2LP(V)-04N1-A-50 |
| 415-0084-100 | U.FL-2LP(V)-04N1-A-100 |
| 415-0084-150 | U.FL-2LP(V)-04N1-A-150 |
| 415-0084-200 | U.FL-2LP(V)-04N1-A-200 |
| 415-0084-250 | U.FL-2LP(V)-04N1-A-250 |
| 415-0084-300 | U.FL-2LP(V)-04N1-A-300 |
| 415-0084-500 | U.FL-2LP(V)-04N1-A-500 |
| 415-0085-050 | U.FL-2LP-04N2-A-50 |
| 415-0085-100 | U.FL-2LP-04N2-A-100 |
| 415-0085-150 | U.FL-2LP-04N2-A-150 |
| 415-0085-200 | U.FL-2LP-04N2-A-200 |
| 415-0085-250 | U.FL-2LP-04N2-A-250 |
| 415-0085-300 | U.FL-2LP-04N2-A-300 |
| 415-0085-300 | U.FL-2LP-04N2-A-500 |
| 415-0086-050 | U.FL-2LP-068N2-A-50 |
| 415-0086-100 | U.FL-2LP-068N2-A-100 |
| 415-0086-150 | U.FL-2LP-068N2-A-150 |
| 415-0086-200 | U.FL-2LP-068N2-A-200 |
| 415-0086-250 | U.FL-2LP-068N2-A-250 |
| 415-0086-300 | U.FL-2LP-068N2-A-300 |
| 415-0086-500 | U.FL-2LP-068N2-A-500 |
| 415-0087-050 | U.FL-2LP-066J2-A-50 |

| Cinch Part Number | HIROSE |
|-------------------|-----------------------|
| 415-0087-100 | U.FL-2LP-066J2-A-100 |
| 415-0087-150 | U.FL-2LP-066J2-A-150 |
| 415-0087-200 | U.FL-2LP-066J2-A-200 |
| 415-0087-250 | U.FL-2LP-066J2-A-250 |
| 415-0087-300 | U.FL-2LP-066J2-A-300 |
| 415-0087-500 | U.FL-2LP-066J2-A-500 |
| 415-0088-050 | U.FL-2LP-088K2T-A-50 |
| 415-0088-100 | U.FL-2LP-088K2T-A-100 |
| 415-0088-150 | U.FL-2LP-088K2T-A-150 |
| 415-0088-200 | U.FL-2LP-088K2T-A-200 |
| 415-0088-250 | U.FL-2LP-088K2T-A-250 |
| 415-0088-300 | U.FL-2LP-088K2T-A-300 |
| 415-0088-500 | U.FL-2LP-088K2T-A-500 |
| 415-0104-150 | U.FL-LP(V)-04N1-A-150 |
| 415-0104-250 | U.FL-LP(V)-04N1-A-250 |
| 415-0105-150 | U.FL-LP-04N2-A-150 |
| 415-0105-250 | U.FL-LP-04N2-A-250 |
| 415-0106-150 | U.FL-LP-068N2-A-150 |
| 415-0106-250 | U.FL-LP-068N2-A-250 |
| 415-0107-150 | U.FL-LP-066J2-A-150 |
| 415-0107-250 | U.FL-LP-066J2-A-250 |
| 415-0108-150 | U.FL-LP-088K2T-A-150 |
| 415-0108-250 | U.FL-LP-088K2T-A-250 |

UMC Family: UMC MP, LP, ULP Competition with other Supplier's Product

| Model Name | Cinch / Johnson | | | HIROSE | | |
|-------------------------------------|------------------------|---------------|---------------|-----------------|----------------|---------------|
| | UMC MP | UMC LP | UMC ULP | U.FL-LP-040/066 | U.FL-LP(V)-040 | W.FL-LP-040 |
| Mated Height (Max.) | 2.5mm | 2.0mm | 1.55mm | 2.5mm | 2.0mm | 1.55mm |
| Termination Style | Mechanical Termination | | | Soldering | | |
| Plating of Shell | Gold | Gold | Gold | Silver | Silver | Silver |
| Plating of Contact | Gold | Gold | Gold | Gold | Gold | Gold |
| Applicable Coaxial Cable (Diameter) | AWG30(1.37mm) | | | | | |
| | AWG32(1.32mm) | | | AWG32(1.32mm) | | |
| | AWG32(1.13mm) | AWG36(0.81mm) | AWG36(0.81mm) | AWG36 (0.81mm) | AWG36(0.81mm) | AWG36(0.81mm) |
| | AWG36(0.81mm) | | | | | |
| Frequencies | DC to 6GHz | | | DC to 6GHz | | |

UMC Compatibility Table Cinch Johnson Vs HIROSE

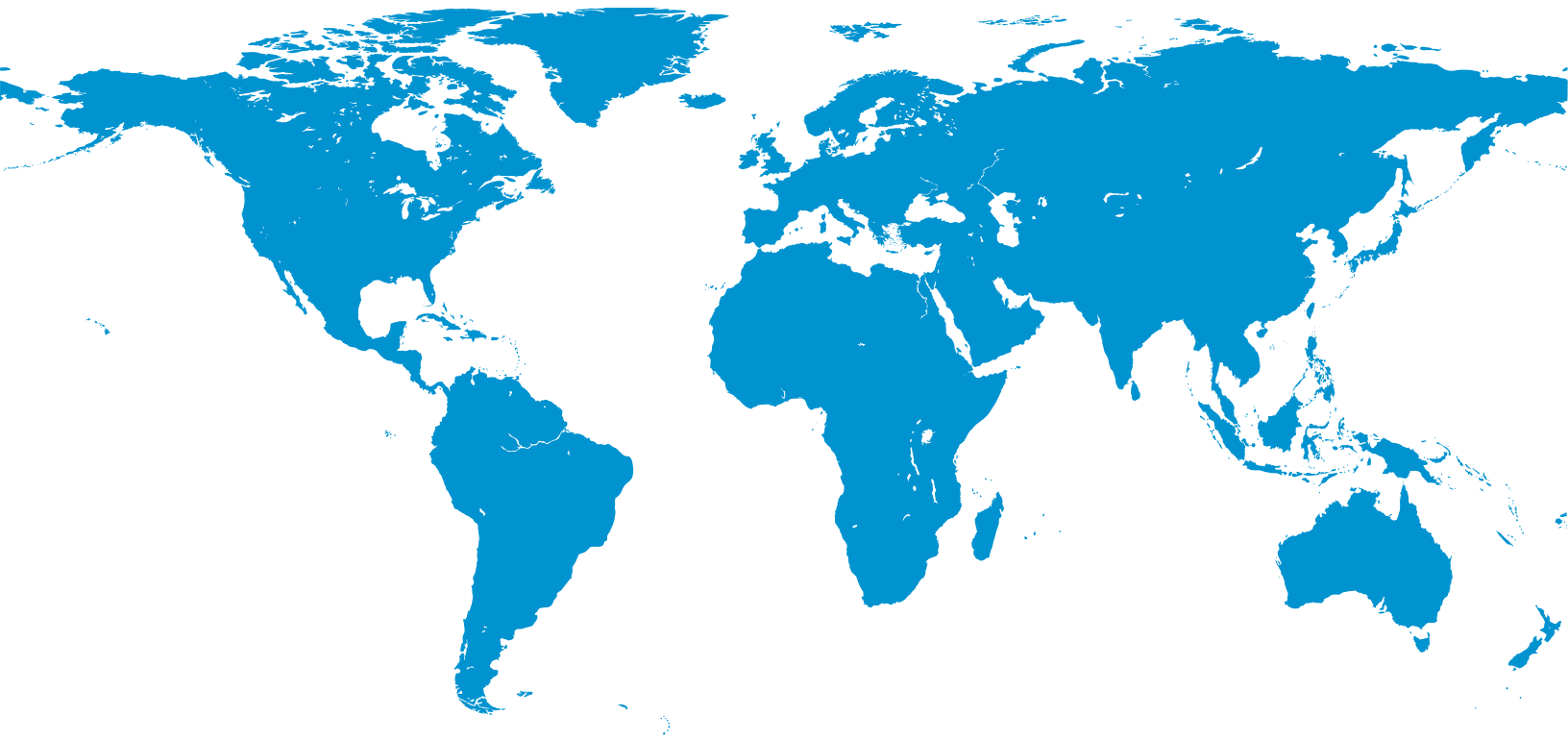
| UMC Family | Mated Height (mm) | AWG (O.D. mm) | Cinch / Johnson | | HIROSE | |
|----------------|-------------------|---------------|----------------------------|--------------|----------------------------|------------------|
| | | | Plating (Contact / Ground) | Part No. | Plating (Contact / Ground) | Product No. |
| UMC Receptacle | 2.5 | N/A | Gold | 128-0711-201 | Gold/Silver | U.FL-R-SMT (10) |
| UMC MP Plug | 2.5 | 30 (1.37) | Gold | 415-0088-xxx | Gold/Silver | U.FL-LP-088 |
| | | 32 (1.32) | Gold | 415-0087-xxx | Gold/Silver | U.FL-LP-066 |
| UMC MP Plug | 2.5 | 32 (1.13) | Gold | 415-0086-xxx | Gold/Silver | U.FL-LP-066 |
| | | 36 (0.81) | Gold | 415-0085-xxx | Gold/Silver | U.FL-LP-040 |
| UMC LP Plug | 2.0 | 36 (0.81) | Gold | 415-0084-xxx | Gold/Silver | U.FL-LP(V)-040 |
| UMC ULP Plug | 1.55 | N/A | Gold | 415-0109-xxx | Gold/Silver | CL-331-0482-6-10 |



About Cinch Connectivity Solutions

In operation since 1917, Cinch supplies high quality, high performance connectors and cables globally to the Aerospace, Military/Defense, Commercial Transportation, Oil & Gas, High End Computer, and other markets. We provide custom solutions with our creative, hands on engineering and end to end approach.

Our diverse product offerings include: connectors, enclosures and cable assemblies utilizing multiple contact technologies including copper and fiber optics. Our product engineering and development activities employ cutting edge technologies for design and modeling, and our various technologies and expertise enable us to deliver custom solutions and products for our strategic partnerships.



For more information, please contact us:

North America

+1 507.833.8822

ccsorders@us.cinch.com

Asia-Pacific

+86 21 5442 7668

ccs.asia.sales@as.cinch.com

Europe, Middle East

+44 (0) 1245 342060

CinchConnectivity@eu.cinch.com

belfuse.com/cinch.com



Mouser Electronics

Authorized Distributor

Click to View Pricing, Inventory, Delivery & Lifecycle Information:

[Cinch Connectivity Solutions:](#)

[128-0000-901](#)