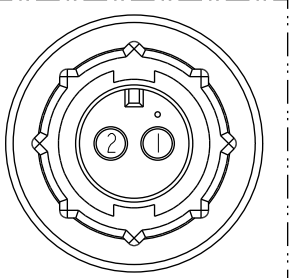
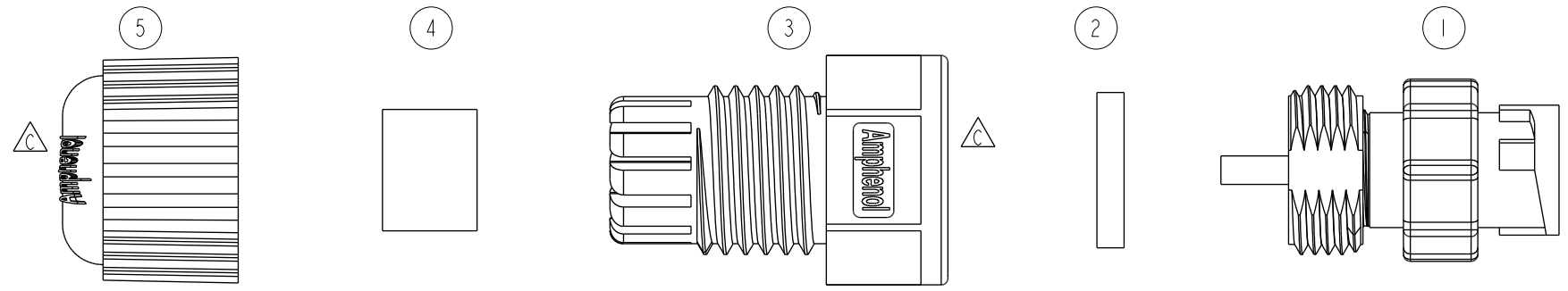
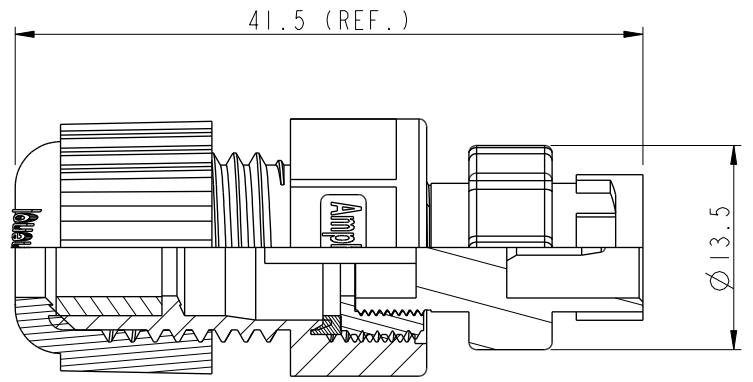


THIS DOCUMENT IS SUBJECT TO CHANGE WITHOUT NOTICE. IT IS CONFIDENTIAL AND A PROPERTY OF Amphenol LTW. DISCLOSURE TO THIRD PARTY HAS TO BE AUTHORIZED BY Amphenol LTW.

REV.	ECN NO.	DATE	SIGN	DESCRIPTION
C	LEN1410030	2014/01/04	Lu Di	Update Logo
D	C210769	2021/05/14	Ruru	$\triangle D$ X2



Pin Assignments
Front View 前視圖



$\triangle D$ Note:

- * QC Important Dimension To Check.
- * Waterproof Rate: IP67
- * Housing: Thermoplastic, Black
- * Pin: Copper Alloy, Gold Plated
- * Lock Nut: Thermoplastic, Black
- * Gasket: Rubber, Black
- * Seal: Rubber, Black
- * Clamp Ring: Thermoplastic, Black
- * Sealing Nut: Thermoplastic, Black
- * Seal For Cable OD: $\phi 4.5\text{mm} \sim \phi 6.5\text{mm}$
- * One Set Unassembled In One PE Bag

UNIT:mm		
TOLERANCE	.X ± 0.25	
	.XX ± 0.1	
	.XXX ± 0.05	
ANGLES	$\pm 1^\circ$	

TITLE O CERES, A-5A, CABLE W/O SR M, M, FI SOLDER, 2LOCK $\triangle D$			
SCALE 2:1	SIZE A4	SHEET 1 OF 1	
REV. D	WC-REV. B.3	QC : Inspection item	

Amphenol LTW
安費諾亮泰企業股份有限公司

ITEM NO. AD-02BMMA-LL7001	DRAWN BY Di_lu	DATE 2014-01-04
DWG NO. AD-02BMMA-LL7001	CHECKED BY Mafei	DATE 2014-01-04
CUSTOMER ALTW	APPROVED BY Victor	DATE 2014-01-04

Mouser Electronics

Authorized Distributor

Click to View Pricing, Inventory, Delivery & Lifecycle Information:

[Amphenol:](#)

[AD-02BMMA-LL7001](#)