

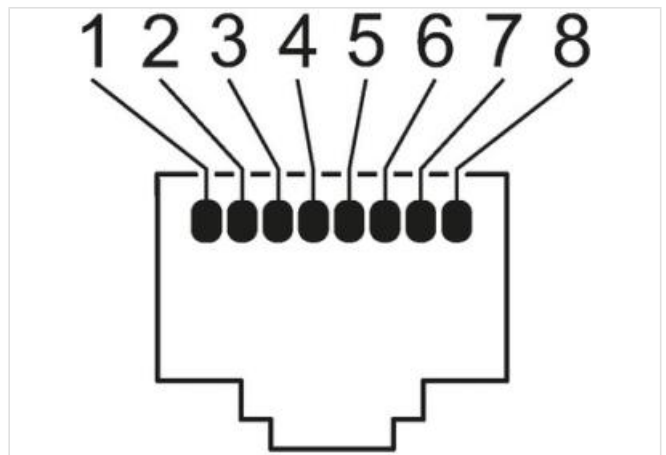
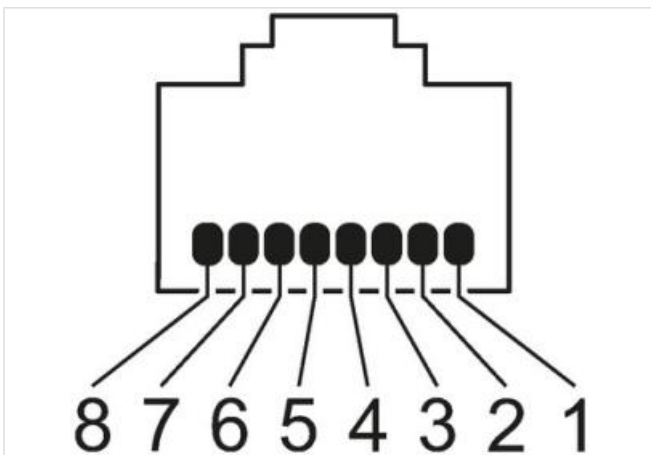
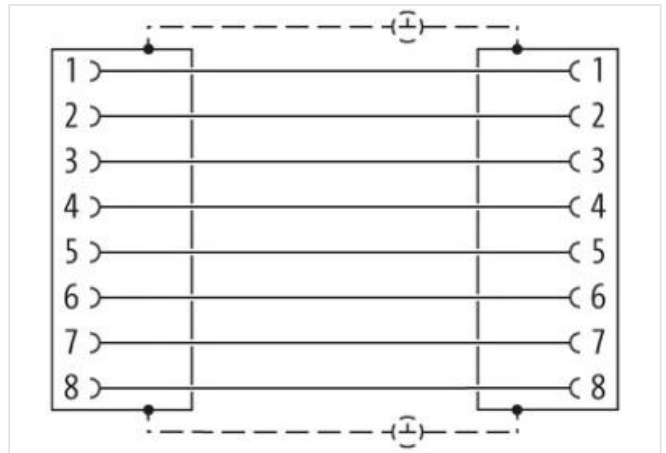
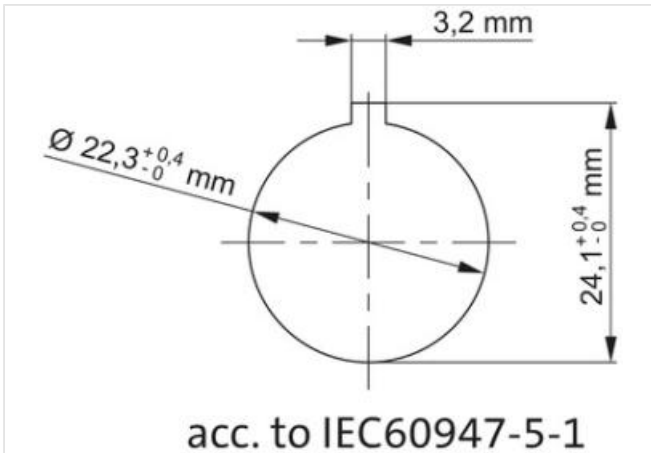
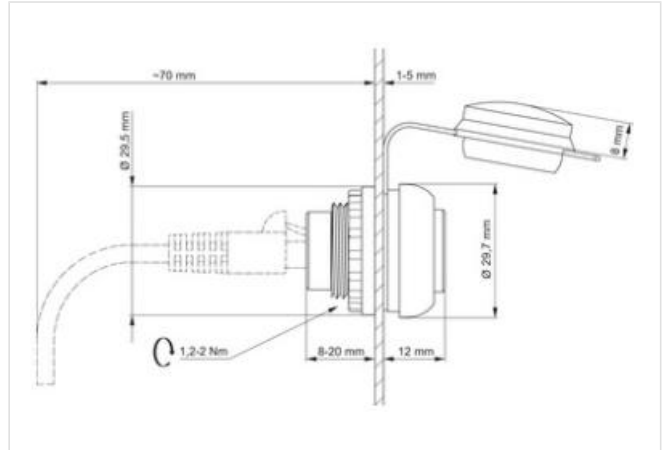
MSDD pass-through RJ45 CAT5e femal/femal, design silver

Pass-through

1 x RJ45, 8-pole CAT5e (female/female)

[Link to Product](#)

Illustration



Product may differ from Image



Technical Data

Operating voltage	24 V AC/DC
Operating current	max. 1.5 A
Protection NEMA	Type 2, 3R, 4, 4x, 12, 13 (UL 50E)
Specification	RJ45 Cat 5e female/female shielded
Mounting depth mounted	approx. 70 mm

General data

Shielded	yes
Cut-out	Ø 22.5 mm

Mechanical protection

Mechanical endurance	750
----------------------	-----

Product article number of manufacturer	4000-73000-0010000
--	--------------------

Industrial Communication

Data transmission rate max.	1000 MBit/s
-----------------------------	-------------

Mechanical data

Depth	20 mm
Diameter	29,5 mm