

## MOTOR SUPPRESSOR

RC, 3x400...575VAC/4kW

3× 400 V AC

3× 575 V AC

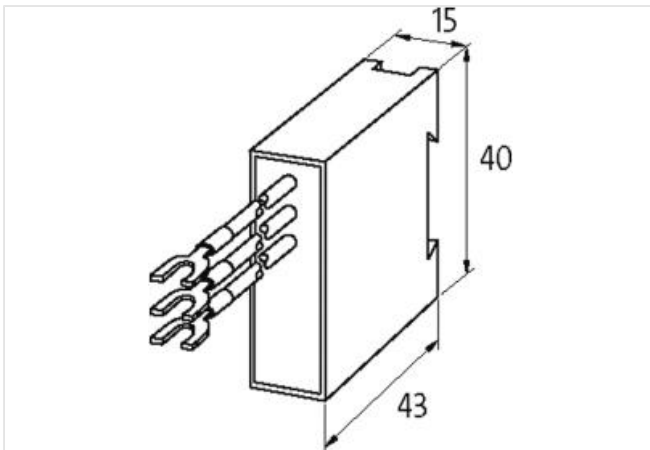
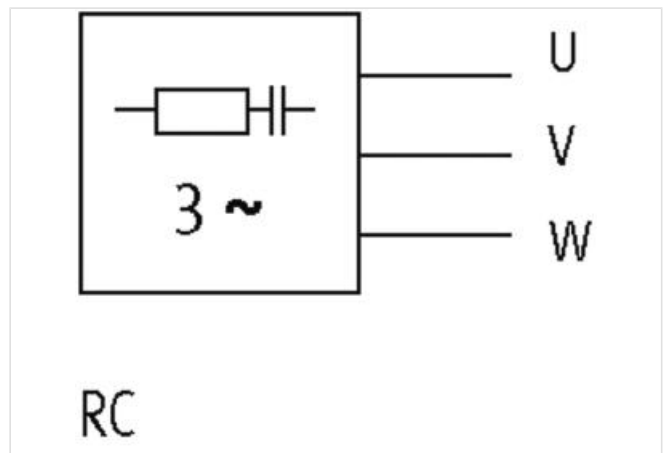
RC

For DIN-rail mounting use Art.-No. 20900 adapter feet

Suppressors for other voltages, frequencies, and motor ratings available on request. Do not use RC motor suppressors with frequency inverters.

### [Link to Product](#)

#### Illustration



Product may differ from Image



#### Technical Data

Frequency	50...60 Hz
Input voltage	575...575 V AC
Material	Flame retardant plastic acc. to (UL 94)
Potting compound	2-component epoxy

**General data**

Mounting method	DIN-rail mountable TH35 (EN 60715)
Temperature range	-20...+60 °C
Connection	approx. 200 mm, single cores 0.35 mm <sup>2</sup> self-securing fork terminal ends M4
Dimensions H×W×D	43×15×40 mm
Product article number of manufacturer	23050