

## OPTOTRONIC Intelligent – DALI LT2

Compact constant current LED drivers



### Areas of application

- Installation in emergency lighting systems according to IEC 61347-2-13, appendix J
- Suitable for use in luminaires with flexible current setting (DALI, CLO, LEDset)
- Suitable for indoor SELV installations
- Suitable for luminaires of protection classes I and II
- Suitable for downlights, spotlights and LED panels
- Installation via Cable Clamp Kit possible (depending on version of product)

### Product family benefits

- Versatile DALI window driver due to flexible output characteristic
- Very high efficiency
- Protection of the system thanks to thermal management and Smart Control
- High-quality dimming of 1...100 % by amplitude dimming

### Versatile scope of application due to OSRAM DALI Technology:

- Easy to use in corridors and restrooms because of three-level Corridor function
- Touch DIM application: easy to control via pushbutton or sensor
- Energy efficient Touch DIM operation due to automatic switch-off at sufficient residual light
- Suitable for emergency Installations (acc. to EN 60598-2-22 and IEC 61347-2-13, appendix J) thanks to DC detection (0 Hz, pulsating DC), on/off switchable
- Feedback of power consumption and operating hours (Fit for SMART GRID)
- Suitable for buildings according to EPBD/BREEAM/LEED due to automatic Constant Lumen Output setting



## Product family datasheet

---

### Product family features

- Supply voltage: 220...240 V
- Line frequency: 0 Hz | 50 Hz | 60 Hz
- Line voltage: 198...264 V
- Safety according to EN 61347-1, 61347-2-3, 61347-2-13, 62384
- RI suppression according to EN 55015:2007+A1:2007/CDN
- Line harmonics according to EN 61000-3-2
- Immunity according to EN 61547
- Lifetime: up to 100,000 h
- Type of protection: IP20
- Independent connection via through-looping (except OTi DALI 15)

## Product family datasheet

### Technical data

#### Electrical data

Product description	Nominal input voltage	Mains frequency	Input voltage AC	Input voltage DC	Total harmonic distortion	Power factor $\lambda$
OTi DALI 15/220...240/1A0 LT2	220...240 V	0/50/60 Hz	198...264 V <sup>1)</sup>	176...276 V	< 10 % <sup>2)</sup>	0.95
OTi DALI 25/220...240/700 LT2	220...240 V	0/50/60 Hz	198...264 V <sup>1)</sup>	176...276 V	< 20 % <sup>2)</sup>	> 0.95
OTi DALI 35/220...240/1A0 LT2	220...240 V	0/50/60 Hz	198...264 V <sup>1)</sup>	176...276 V	< 20 %	> 0.95
OTi DALI 50/220...240/1A4 LT2 FAN	220...240 V	0/50/60 Hz	198...264 V <sup>1)</sup>	176...276 V	< 10 % <sup>2)</sup>	> 0.95

Product description	ECG efficiency	Device power loss	Power loss in stand-by mode	Inrush current	Max. ECG no. on circuit breaker 10 A (B)	Max. ECG no. on circuit breaker 16 A (B)
OTi DALI 15/220...240/1A0 LT2	88 % <sup>3)</sup>	2.4 W	≤0.27 W	5 A <sup>4)</sup>	82	130
OTi DALI 25/220...240/700 LT2	88 % <sup>3)</sup>	4.5 W	<0.1 W	< 20 A <sup>9)</sup>	50	80
OTi DALI 35/220...240/1A0 LT2	89 % <sup>3)</sup>	5.7 W	<0.1 W	< 20 A <sup>9)</sup>	35	55
OTi DALI 50/220...240/1A4 LT2 FAN	91 % <sup>13)</sup>	7.5 W	<0.15 W	30 A <sup>14)</sup>	12	20

Product description	Max. ECG no. on circuit breaker 25 A (B)	Surge capability (L/N-Ground)	Surge capability (L-N)	Nominal output voltage
OTi DALI 15/220...240/1A0 LT2	-	2 kV	1 kV	7.5...54 V <sup>5)</sup>
OTi DALI 25/220...240/700 LT2	-	2 kV	1 kV	12...54 V <sup>5)</sup>
OTi DALI 35/220...240/1A0 LT2	-	2 kV	1 kV	15...54 V <sup>5)</sup>
OTi DALI 50/220...240/1A4 LT2 FAN	-	2 kV <sup>15)</sup>	1 kV	15...54 V <sup>5)</sup>

Product description	U-OUT (working voltage)	Nominal output current	Output current LEDset open	Output current LEDset shorted
OTi DALI 15/220...240/1A0 LT2	60 V	150...1050 mA <sup>6)</sup>	75 mA	350 mA
OTi DALI 25/220...240/700 LT2	60 V	180...700 mA <sup>10)</sup>	90 mA	500 mA
OTi DALI 35/220...240/1A0 LT2	60 V	350...1050 mA <sup>10)</sup>	175 mA	700 mA
OTi DALI 50/220...240/1A4 LT2 FAN	60 V	600...1400 mA <sup>6)</sup>	300 mA	1050 mA

Product description	Default output current	Output current tolerance	Output ripple current (100 Hz)	Nominal output power
OTi DALI 15/220...240/1A0 LT2	350 mA <sup>7)</sup>	±3 %	< 2 %	18 W <sup>8)</sup>
OTi DALI 25/220...240/700 LT2	500 mA <sup>7)</sup>	±3 %	< 1 %	27 W <sup>11)</sup>
OTi DALI 35/220...240/1A0 LT2	700 mA <sup>7)</sup>	±3 %	< 2 %	35 W <sup>12)</sup>
OTi DALI 50/220...240/1A4 LT2 FAN	1050 mA <sup>7)</sup>	±3 %	< 2 %	55 W <sup>16)</sup>

Product description	Galvanic isolation
OTi DALI 15/220...240/1A0 LT2	SELV
OTi DALI 25/220...240/700 LT2	SELV
OTi DALI 35/220...240/1A0 LT2	SELV

## Product family datasheet

Product description	Galvanic isolation
OTi DALI 50/220...240/1A4 LT2 FAN	SELV

- 1) Permitted voltage range
- 2) At full load, 220...240 V, 50 Hz / see graphs
- 3) Typical / At full load and 230 V
- 4)  $t_{width} = 220 \mu s$  (measured at 50 %  $I_{peak}$ )
- 5) Maximum 60 V
- 6)  $\pm 5\%$
- 7) LEDset deactivated
- 8) Partial load 3...18 W
- 9)  $t_{width} = 50 \mu s$  (measured at 50 %  $I_{peak}$ )
- 10)  $\pm 3\%$
- 11) Partial load 7...27 W
- 12) Partial load 15...35 W
- 13) At full load and 230 V
- 14)  $t_{width} = 200 \mu s$  (measured at 50 %  $I_{peak}$ )
- 15) Functional Earth
- 16) Partial load 22...55 W

### Dimensions & weight

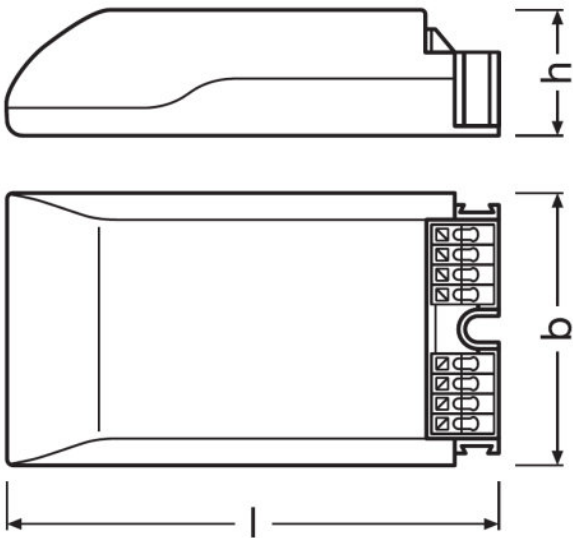
Product description	Product weight	Cable cross-section, input side	Cable cross-section, output side	Wire preparation length, input side	Wire preparation length, output side
OTi DALI 15/220...240/1A0 LT2	100.00 g	0.2...1.5 mm <sup>2</sup> <sup>1)</sup>	0.2...1.5 mm <sup>2</sup> <sup>1)</sup>	8.0...9.0 mm	8.0...9.0 mm
OTi DALI 25/220...240/700 LT2	149.00 g	0.2...1.5 mm <sup>2</sup> <sup>1)</sup>	0.2...1.5 mm <sup>2</sup> <sup>1)</sup>	8.0...9.0 mm	8.0...9.0 mm
OTi DALI 35/220...240/1A0 LT2	149.00 g	0.2...1.5 mm <sup>2</sup> <sup>1)</sup>	0.2...1.5 mm <sup>2</sup> <sup>1)</sup>	8.0...9.0 mm	8.0...9.0 mm
OTi DALI 50/220...240/1A4 LT2 FAN	180.00 g	0.2...1.5 mm <sup>2</sup> <sup>1)</sup>	0.2...1.5 mm <sup>2</sup> <sup>1)</sup>	8.0...9.0 mm	8.0...9.0 mm

Product description	Width	Height	Length	Mounting hole spacing, length	Mounting hole spacing, width
OTi DALI 15/220...240/1A0 LT2	53.0 mm	30.0 mm	95.0 mm		
OTi DALI 25/220...240/700 LT2	67.0 mm	29.5 mm	103.0 mm	94.0 mm	58.0 mm
OTi DALI 35/220...240/1A0 LT2	67.0 mm	29.5 mm	103.0 mm	94.0 mm	58.0 mm
OTi DALI 50/220...240/1A4 LT2 FAN	75.0 mm	25.0 mm	110.0 mm	99.0 mm	64.0 mm

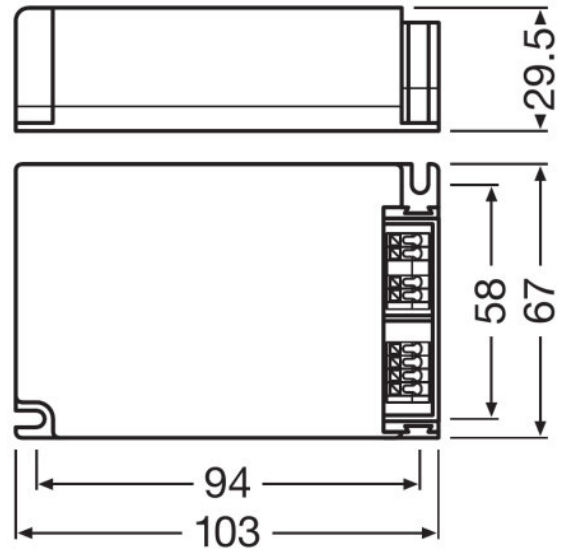
- 1) Solid or flexible leads

Product family datasheet

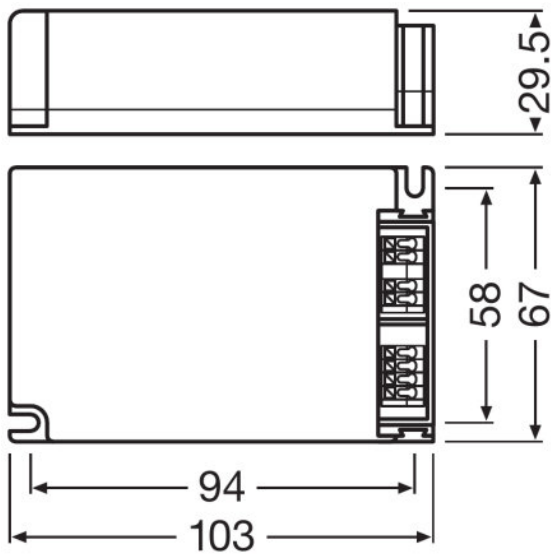
Product line drawing



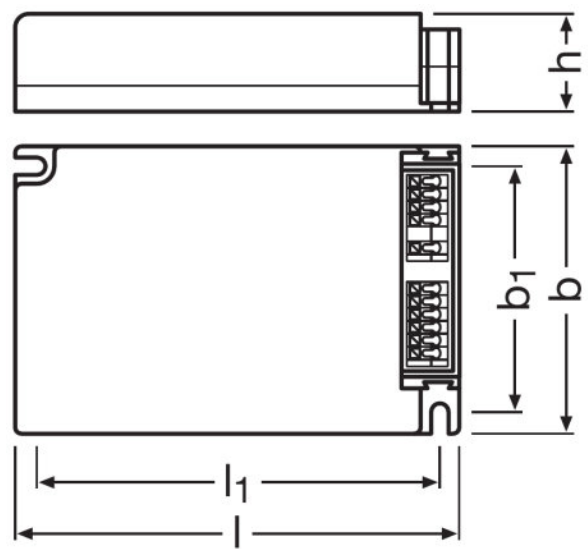
OTi DALI 15/220...240/1A0 LT2



OTi DALI 25/220...240/700 LT2



OTi DALI 35/220...240/1A0 LT2



OTi DALI 50/220...240/1A4 LT2 FAN

## Product family datasheet

### Colors & materials

Product description	Casing material
OTi DALI 15/220...240/1A0 LT2	Plastic
OTi DALI 25/220...240/700 LT2	Plastic
OTi DALI 35/220...240/1A0 LT2	Plastic
OTi DALI 50/220...240/1A4 LT2 FAN	Plastic

### Temperatures & operating conditions

Product description	Ambient temperature range	Maximum temperature at tc test point	Max.housing temperature in case of fault	Temperature range at storage
OTi DALI 15/220...240/1A0 LT2	-20...+50 °C	75 °C <sup>1)</sup>	100 °C	-25...85 °C
OTi DALI 25/220...240/700 LT2	-20...+50 °C	75 °C <sup>1)</sup>	110 °C	-25...85 °C
OTi DALI 35/220...240/1A0 LT2	-20...+50 °C	75 °C <sup>1)</sup>	110 °C	-25...85 °C
OTi DALI 50/220...240/1A4 LT2 FAN	-20...+50 °C	80 °C <sup>1)</sup>	110 °C	-25...85 °C

Product description	Permitted rel. humidity during operation
OTi DALI 15/220...240/1A0 LT2	5...85 % <sup>2)</sup>
OTi DALI 25/220...240/700 LT2	5...85 % <sup>2)</sup>
OTi DALI 35/220...240/1A0 LT2	5...85 % <sup>2)</sup>
OTi DALI 50/220...240/1A4 LT2 FAN	5...85 % <sup>2)</sup>

<sup>1)</sup> Maximum at the T<sub>c</sub>-point

<sup>2)</sup> Maximum 56 days/year at 85 %

### Lifespan

Product description	ECG lifetime
OTi DALI 15/220...240/1A0 LT2	50000 / 100000 h <sup>1)</sup>
OTi DALI 25/220...240/700 LT2	50000 / 100000 h <sup>1)</sup>
OTi DALI 35/220...240/1A0 LT2	50000 / 100000 h <sup>1)</sup>
OTi DALI 50/220...240/1A4 LT2 FAN	50000 / 100000 h <sup>2)</sup>

<sup>1)</sup> T<sub>c</sub> = 75°C, 0.2% / 1,000 h failure rate / T<sub>c</sub> = 65°C, 0.1% / 1,000 h failure rate

<sup>2)</sup> T<sub>c</sub> = 80°C, 0.2% / 1,000 h failure rate / T<sub>c</sub> = 70°C, 0.1% / 1,000 h failure rate

### Additional product data

Product description	Encapsulated
OTi DALI 15/220...240/1A0 LT2	No
OTi DALI 25/220...240/700 LT2	No
OTi DALI 35/220...240/1A0 LT2	No
OTi DALI 50/220...240/1A4 LT2 FAN	No

## Product family datasheet

### Capabilities

Product description	Dimmable	Dimming interface	Dimming range	Dimming method
OTi DALI 15/220...240/1A0 LT2	Yes	DALI / Touch DIM / Touch DIM Sensor	1...100 % <sup>1)</sup>	Amplitude Modulation
OTi DALI 25/220...240/700 LT2	Yes	DALI / Touch DIM / Touch DIM Sensor	1...100 % <sup>1)</sup>	Amplitude Modulation
OTi DALI 35/220...240/1A0 LT2	Yes	DALI / Touch DIM / Touch DIM Sensor	1...100 % <sup>1)</sup>	Amplitude Modulation
OTi DALI 50/220...240/1A4 LT2 FAN	Yes	DALI / Touch DIM / Touch DIM Sensor	1...100 % <sup>1)</sup>	Amplitude Modulation

Product description	Constant lumen function	Overheating protection	Overload protection
OTi DALI 15/220...240/1A0 LT2	Programmable	Automatic reversible	Automatic reversible
OTi DALI 25/220...240/700 LT2	Programmable	Automatic reversible	Automatic reversible
OTi DALI 35/220...240/1A0 LT2	Programmable	Automatic reversible	Automatic reversible
OTi DALI 50/220...240/1A4 LT2 FAN	Programmable	Automatic reversible	Automatic reversible

Product description	Short-circuit protection	No-load proof	Max. cable length to lamp/LED module	Suitable for fixtures with prot. class	Suitable for emergency lighting
OTi DALI 15/220...240/1A0 LT2	Automatic reversible	Yes	2.0 m	I / II	Yes
OTi DALI 25/220...240/700 LT2	Automatic reversible	Yes	2.0 m	I / II	Yes
OTi DALI 35/220...240/1A0 LT2	Automatic reversible	Yes	2.0 m	I / II	Yes
OTi DALI 50/220...240/1A4 LT2 FAN	Automatic reversible	Yes	2.0 m	I / II	Yes

Product description	Type of connection, output side	Programming interface	Number of channels
OTi DALI 15/220...240/1A0 LT2	Push terminal	DALI, LEDset	1
OTi DALI 25/220...240/700 LT2	Push terminal	DALI, LEDset	1
OTi DALI 35/220...240/1A0 LT2	Push terminal	DALI, LEDset	1
OTi DALI 50/220...240/1A4 LT2 FAN	Push terminal	DALI, LEDset	1

<sup>1)</sup> For maximum nominal output current

### Programming

Product description	Programming device	Tuner4TRONIC Field App	Tuner4TRONIC
OTi DALI 15/220...240/1A0 LT2	DALI / LEDset	No	Yes
OTi DALI 25/220...240/700 LT2	DALI / LEDset	No	Yes
OTi DALI 35/220...240/1A0 LT2	DALI / LEDset	No	Yes
OTi DALI 50/220...240/1A4 LT2 FAN	DALI / LEDset	No	Yes

## Product family datasheet

### Programmable features

Product description	Operating Current	Tuning Factor	Constant Lumen
OTi DALI 15/220...240/1A0 LT2	Yes	No	Yes
OTi DALI 25/220...240/700 LT2	Yes	No	Yes
OTi DALI 35/220...240/1A0 LT2	Yes	No	Yes
OTi DALI 50/220...240/1A4 LT2 FAN	Yes	No	Yes

Product description	Lamp Operating Time	Driver Guard	DALI Settings
OTi DALI 15/220...240/1A0 LT2	Yes	No	Yes
OTi DALI 25/220...240/700 LT2	Yes	No	Yes
OTi DALI 35/220...240/1A0 LT2	Yes	No	Yes
OTi DALI 50/220...240/1A4 LT2 FAN	Yes	No	Yes

Product description	Emergency Mode	DALI-2 Luminaire Data	Configuration Lock
OTi DALI 15/220...240/1A0 LT2	Yes	No	No
OTi DALI 25/220...240/700 LT2	Yes	No	No
OTi DALI 35/220...240/1A0 LT2	Yes	No	No
OTi DALI 50/220...240/1A4 LT2 FAN	Yes	No	No

Product description	Soft Switch Off	Dim to Dark	TouchDIM + Sensor
OTi DALI 15/220...240/1A0 LT2	Yes	No	Yes
OTi DALI 25/220...240/700 LT2	Yes	No	Yes
OTi DALI 35/220...240/1A0 LT2	Yes	Yes	Yes
OTi DALI 50/220...240/1A4 LT2 FAN	Yes	No	Yes

Product description	Corridor Functionality	Tunable White CCT	Tunable White High precision
OTi DALI 15/220...240/1A0 LT2	Yes	No	No
OTi DALI 25/220...240/700 LT2	Yes	No	No
OTi DALI 35/220...240/1A0 LT2	Yes	No	No
OTi DALI 50/220...240/1A4 LT2 FAN	Yes	No	No

Product description	OEM Key
OTi DALI 15/220...240/1A0 LT2	Yes
OTi DALI 25/220...240/700 LT2	Yes
OTi DALI 35/220...240/1A0 LT2	Yes
OTi DALI 50/220...240/1A4 LT2 FAN	Yes



## Product family datasheet

### Certificates & standards

Product description	Approval marks – approval	Standards	Protection class	Type of protection
OTi DALI 15/220...240/1A0 LT2	ENEC 10 / VDE / EMC / EL / CE	Acc. to EN 61347-1/Acc. to EN 61347-2-13/Acc. to EN 55015/Acc. to EN 61547/Acc. to EN 61000-3-2/Acc. to EN 62384	II	IP20
OTi DALI 25/220...240/700 LT2	ENEC 10 / VDE / EMC / EL / CE / DALI-2	Acc. to EN 61347-1/Acc. to EN 61347-2-13/Acc. to EN 55015/Acc. to EN 61547/Acc. to EN 61000-3-2/Acc. to EN 62384/Acc. to EN 62386/Acc. to IEC 62386-101:Ed2/Acc. to IEC 62386-102:Ed2/Acc. to IEC 62386-207:Ed1	II	IP20
OTi DALI 35/220...240/1A0 LT2	ENEC 10 / VDE / EMC / EL / CE / DALI-2	Acc. to EN 61347-1/Acc. to EN 61347-2-13/Acc. to EN 55015/Acc. to EN 61547/Acc. to EN 61000-3-2/Acc. to EN 62384/Acc. to EN 62386/Acc. to IEC 62386-101:Ed2/Acc. to IEC 62386-102:Ed2/Acc. to IEC 62386-207:Ed1	II	IP20
OTi DALI 50/220...240/1A4 LT2 FAN	ENEC 10 / VDE / EMC / EL / CE / DALI-2	Acc. to EN 61347-1/Acc. to EN 61347-2-13/Acc. to EN 55015/Acc. to EN 61547/Acc. to EN 61000-3-2/Acc. to EN 62384/Acc. to EN 62386/Acc. to IEC 62386-101:Ed2/Acc. to IEC 62386-102:Ed2/Acc. to IEC 62386-207:Ed1	II	IP20

### Logistical data

Product description	Commodity code
OTi DALI 15/220...240/1A0 LT2	850440829000
OTi DALI 25/220...240/700 LT2	850440829000
OTi DALI 35/220...240/1A0 LT2	850440829000
OTi DALI 50/220...240/1A4 LT2 FAN	850440829000

### Application advice

For more detailed application information and graphics please see product datasheet.

### Sales and Technical Support












## Product family datasheet

Sales and Technical Support [www.osram.com](http://www.osram.com)

### Download Data

File	
	User instruction OPTOTRONIC LED Power Supply
	Product Datasheet OTi DALI 15 220-2401A0 LT2
	Certificates OTI DALI 15 LT2 EATON AM34566 210720
	Certificates OTI DALI 15 LT2 INOTEC AM34566 210720
	Certificates OT ENEC 40038447 030720
	Certificates 664763_CB-Certificate-OTi DALI 15
	Declarations of conformity OTi DALI LT2 CE 3365628 121119
	CAD data 660729_OTi DALI 15 LT2 IGS 61119
	CAD data 660730_OTi DALI 15 LT2 CADPDF 61119
	CAD data 660731_OTi DALI 15 LT2 STEP 61119
	CAD data 673587_OT Cable Clamp F Style IGS 61119
	CAD data 673588_OT Cable Clamp F Style STEP 61119
	CAD data PDF 673589_OT Cable Clamp F Style CADPDF 61119
	User instruction OPTOTRONIC LED Power Supply
	Product Datasheet 729814_TDS OTi DALI 25
	Declarations of conformity EATON(CEAG)-Conformity declaration AB42877_OTi_DALI_25_220-240_700_LT2
	Declarations of conformity INOTEC- Conformity declaration AB42877_OTi_DALI_25_220-240_700_LT2
	CAD data 3-dim 491388_OTi DALI 25 35 LT2 STEP 61119
	CAD data 3-dim 491391_OTi DALI 25 35 LT2 IGS 61119
	CAD data PDF 491387_OTi DALI 25 35 LT2 CADPDF 61119

## Product family datasheet

	Product Datasheet Product datasheet OTI DALI 35220-2401A0 LT2 G2
	Declarations of conformity EATON(CEAG)-Conformity declaration AB42876_OTi_DALI_35_220-240_1A0_LT2
	Declarations of conformity INOTEC- Conformity declaration AB42876_OTi_DALI_35_220-240_1A0_LT2
	User instruction OPTOTRONIC LED Power Supply
	Product Datasheet Datasheet OTI DALI 50
	Certificates OTI DALI 50 LT2 FAN CB DE1 59836 040320
	Declarations of conformity EATON(CEAG)-Conformity declaration AB42878_OTi_DALI_50_220-240_1A4_LT2_FAN
	Declarations of conformity INOTEC- Conformity declaration AB42878_OTi_DALI_50_220-240_1A4_LT2_FAN
	CAD data 3-dim 491394_OTI DALI 50 LT2 FAN STEP 61119
	CAD data PDF 491393_OTI DALI 50 LT2 FAN CADPDF 61119
	CAD data PDF 491395_OTI DALI 50 LT2 FAN IGS 61119

## Logistical Data

Product code	Product description	Packaging unit (Pieces/Unit)	Dimensions (length x width x height)	Volume	Gross weight
4052899324879	OTi DALI 15/220...240/1A0 LT2	Shipping carton box 20	284 mm x 207 mm x 96 mm	5.64 dm <sup>3</sup>	2270.00 g
4052899488144	OTi DALI 25/220...240/700 LT2	Shipping carton box 20	345 mm x 216 mm x 86 mm	6.41 dm <sup>3</sup>	3211.00 g
4052899488168	OTi DALI 35/220...240/1A0 LT2	Shipping carton box 20	345 mm x 216 mm x 86 mm	6.41 dm <sup>3</sup>	3211.00 g
4052899488182	OTi DALI 50/220...240/1A4 LT2 FAN	Shipping carton box 20	389 mm x 234 mm x 72 mm	6.55 dm <sup>3</sup>	4118.00 g

The mentioned product code describes the smallest quantity unit which can be ordered. One shipping unit can contain one or more single products. When placing an order, for the quantity please enter single or multiples of a shipping unit.

## Accessories Optional

Product description	Accessory name	Accessory code
OTi DALI 15/220...240/1A0 LT2	OT CABLE CLAMP F-STYLE	▶ 4052899325555
OTi DALI 25/220...240/700 LT2	OT CABLE CLAMP B-STYLE	▶ 4052899077881

## Product family datasheet

OTi DALI 25/220...240/700 LT2	OT CABLE CLAMP B-STYLE TL	▶ 4052899948051
OTi DALI 35/220...240/1A0 LT2	OT CABLE CLAMP B-STYLE	▶ 4052899077881
OTi DALI 35/220...240/1A0 LT2	OT CABLE CLAMP B-STYLE TL	▶ 4052899948051
OTi DALI 50/220...240/1A4 LT2 FAN	OT CABLE CLAMP A-STYLE	▶ 4052899089570
OTi DALI 50/220...240/1A4 LT2 FAN	OT CABLE CLAMP A-STYLE TL	▶ 4052899325982

---

### Data privacy

This OSRAM driver can be configured using the Tuner4TRONIC software. This requires registering on [www.myosram.com](http://www.myosram.com) and downloading the Tuner4TRONIC software from the Internet. The Tuner4TRONIC software enables users to access and view the operational data of a luminaire or driver via the corresponding programming interfaces. A password key (Config Lock) must be set up in the driver via the Tuner4TRONIC software in order to control which users can access and view operational data. Follow the instructions for password setup. To grant an external person or company rights to access or view operational data, you can assign password keys. In this case, however, you are responsible for ensuring that the third party concerned takes notice of the information described here. However, OSRAM can read out operating data from devices for maintenance and service purposes even when a password key has been assigned. In individual cases, OSRAM will also use its access rights in order to optimize or improve driver hardware and driver functions. In accordance with data privacy principles, any user of operating data (luminaire manufacturers, third parties with access rights) must ensure that personal data (e.g. name, address, location IDs) are only merged with the prior written consent of the person (end user) concerned. The respective user of the operating data is responsible for providing evidence of consent.

---

### Disclaimer

Subject to change without notice. Errors and omission excepted. Always make sure to use the most recent release.