

## Low Voltage 1A Voltage Regulator (LDO Regulator)

NO.EA-265-230714

### OUTLINE

The RP132x is a voltage-regulator with a built-in low ON-resistance transistor and output current is 1A capability. This IC has two versions: fixed output voltage type and externally adjustable output voltage type. The minimum output voltage can be set from 1.4V. Otherwise, the load regulation of RP132x has much improved when compared with conventional regulators. It's Typ.5mV at  $I_{OUT}=0.1\text{mA}$  to 1A.

This IC consists of a voltage reference unit, an error amplifier, a resistor net for setting output voltage, current limit circuits to prevent over-current and a thermal-shutdown circuit. A standby mode with ultra low supply current can be realized with the chip enable function. Additionally, E/F Version with delay pin for inrush current limit time setting are also available.

The packages for these ICs are DFN(PL)1820-6, SOT-89-5, HSOP-6J and TO-252-5-P2. DFN(PL)1820-6 is suitable for high density mounting of the ICs on boards. SOT-89-5, HSOP-6J and TO-252-5-P2 are supporting high wattage.

### FEATURES

- Output Current ..... Min. 1A
- Supply Current ..... Typ. 65 $\mu$ A
- Standby Current ..... Typ. 0.15 $\mu$ A
- Input Voltage Range ..... 1.4V to 6.5V
- Output Voltage Range ..... Fixed Output Voltage Type: 0.8V to 5.5V (0.1V steps)  
Adjustable Output Voltage Type: 0.8V to 5.5V  
(For other voltages, please refer to MARK INFORMATIONS.)
- Dropout Voltage ..... Typ. 0.52V ( $V_{OUT}=2.8\text{V}$ ,  $I_{OUT}=1\text{A}$ )
- Ripple Rejection ..... Typ. 70dB ( $f=1\text{kHz}$ ,  $V_{OUT}=2.8\text{V}$ )
- Output Voltage Accuracy .....  $\pm 1.0\%$
- Output Voltage Temperature-Drift Coefficient ..... Typ.  $\pm 60\text{ppm}/^\circ\text{C}$
- Line Regulation ..... Typ. 0.052%/V
- Load Regulation ..... Typ. 3mV at  $I_{OUT}=300\text{mA}$ , Typ. 5mV at  $I_{OUT}=1\text{A}$
- Packages ..... DFN(PL)1820-6, SOT-89-5, HSOP-6J, TO-252-5-P2
- Inrush Current Limit Circuit ..... Typ. 500mA  
B/D version: Inrush current limit time is 500 $\mu$ s.  
E/F version: Inrush current limit time is adjustable.
- Fold-Back Protection Circuit ..... Typ. 250mA (Current at short mode)
- Thermal Shutdown Circuit ..... Thermal Shutdown Temperature: Typ. 165 $^\circ\text{C}$   
Released Temperature: Typ. 95 $^\circ\text{C}$
- Auto Discharge Function ..... D, F version
- Ceramic capacitors are recommended to be used with this IC ..... 2.2 $\mu$ F or more ( $V_{OUT} \leq 3.6\text{V}$ )  
4.7 $\mu$ F or more ( $V_{OUT} > 3.6\text{V}$ )

## APPLICATIONS

- Power source for battery-powered equipment.
- Power source for portable communication equipment
- Power source for electrical appliances such as cameras, VCRs and camcorders.
- Power source for home appliances and Notebook PC.

## SELECTION GUIDE

The output voltage, the auto discharge function<sup>(1)</sup>, and the package type for the IC can be selected at the user's request.

Product Name	Package	Quantity per Reel	Pb Free	Halogen Free
RP132K001*-TR	DFN(PL)1820-6	5,000 pcs	Yes	Yes
RP132Kxx1*-TR				
RP132H001#-T1-FE	SOT-89-5	1,000 pcs	Yes	Yes
RP132Hxx1#-T1-FE				
RP132S001#-E2-FE	HSOP-6J	1,000 pcs	Yes	Yes
RP132Sxx1*-E2-FE				
RP132J001#-T1-FE	TO-252-5-P2	3,000 pcs	Yes	Yes
RP132Jxx1#-T1-FE				

RP132x001x is the adjustable output voltage type.

xx: The output voltage can be designated in the range from 0.8V(08) to 5.5V(55) in 0.1V step.

The voltage in 0.05 V step is shown as follows:

Ex. 1.05 V : RP132x101x5

Contact our sales representatives for other voltages.

\*: The combination of the auto discharge function and delay pin (for setting inrush current limit time) are as follows.

B: without auto discharge function

D: with auto discharge function

E: without auto discharge function, with delay pin (for setting inrush current limit time)

F: with auto discharge function and delay pin (for setting inrush current limit time)

#: The auto discharge function at off state are options as follows.

B: without auto discharge function at off state

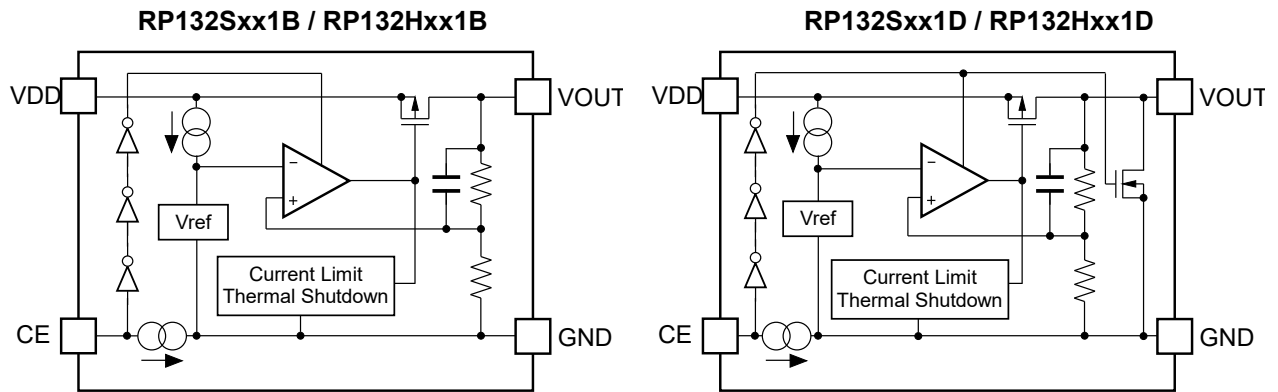
D: with auto discharge function at off state

---

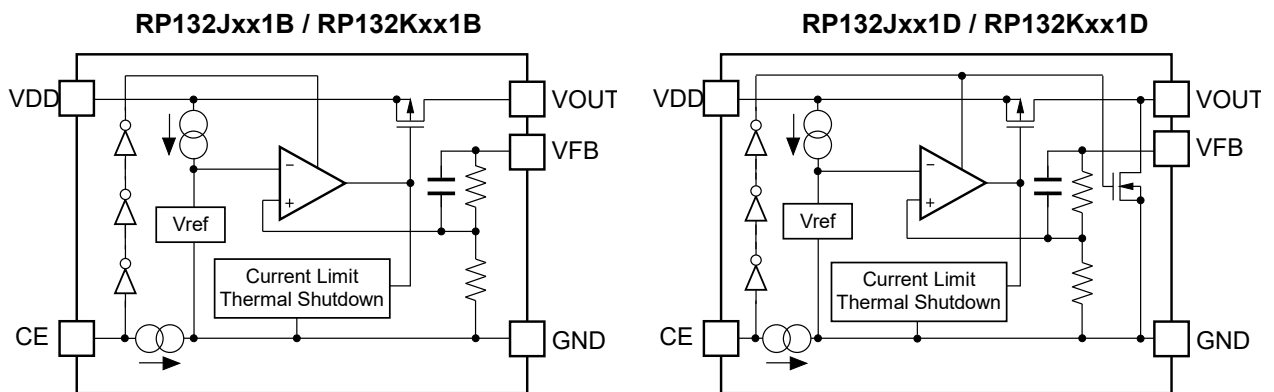
<sup>(1)</sup> Auto-discharge function quickly lowers the output voltage to 0V, when the chip enable signal is switched from the active mode to the standby mode, by releasing the electrical charge accumulated in the external capacitor.

## BLOCK DIAGRAMS

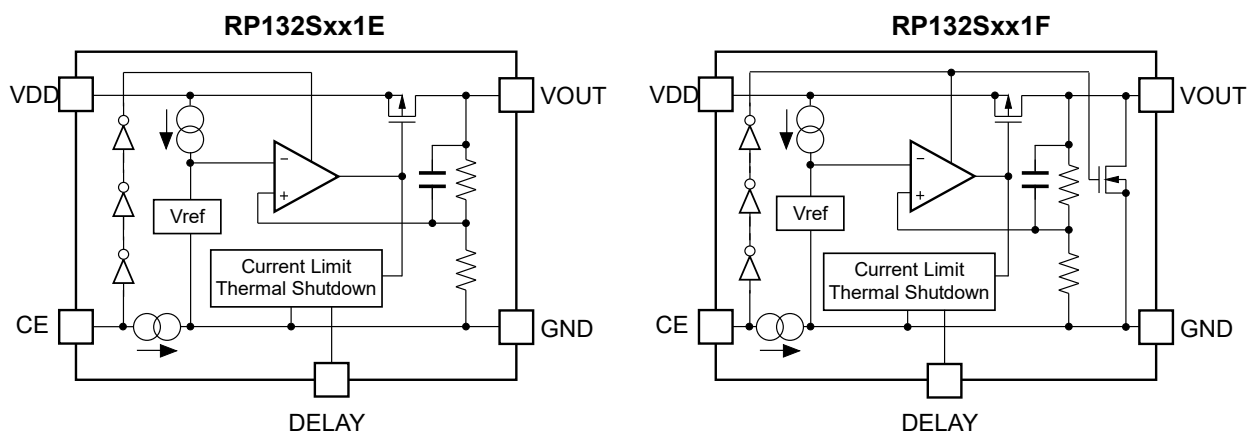
- Fixed Output Voltage Type (HSOP-6J / SOT89-5)



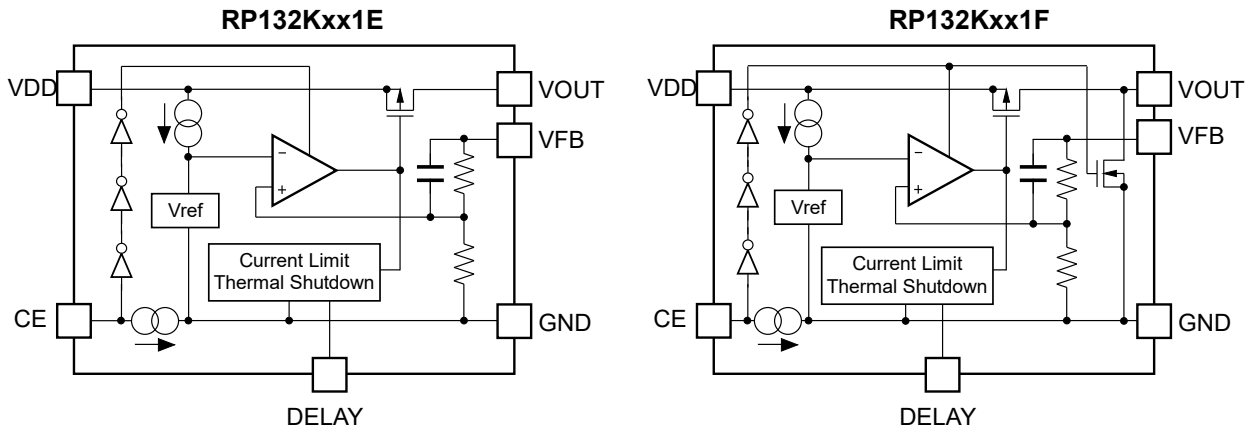
- Fixed Output Voltage Type (TO-252-5-P2 / DFN(PL)1820-6)



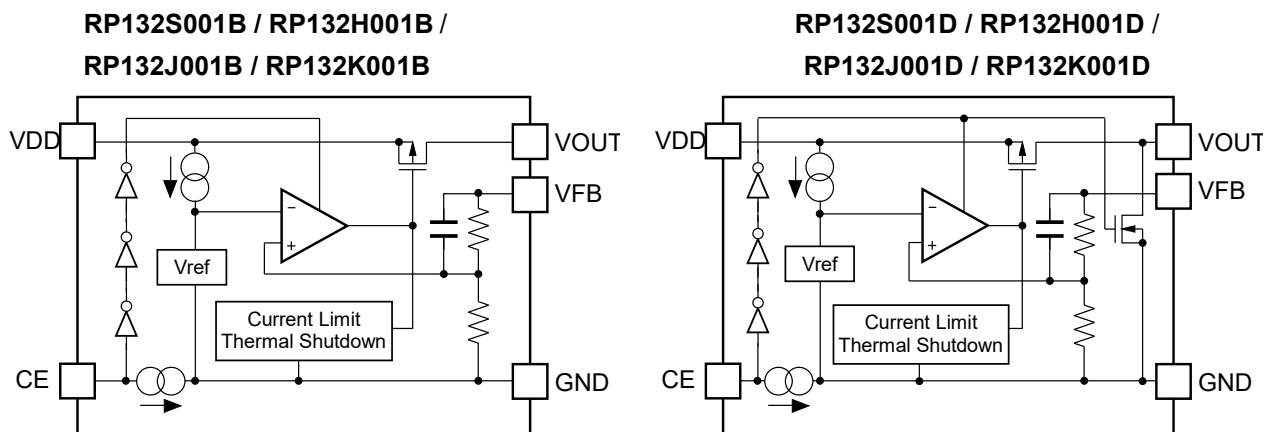
- Fixed Output Voltage Type with DELAY pin (HSOP-6J)



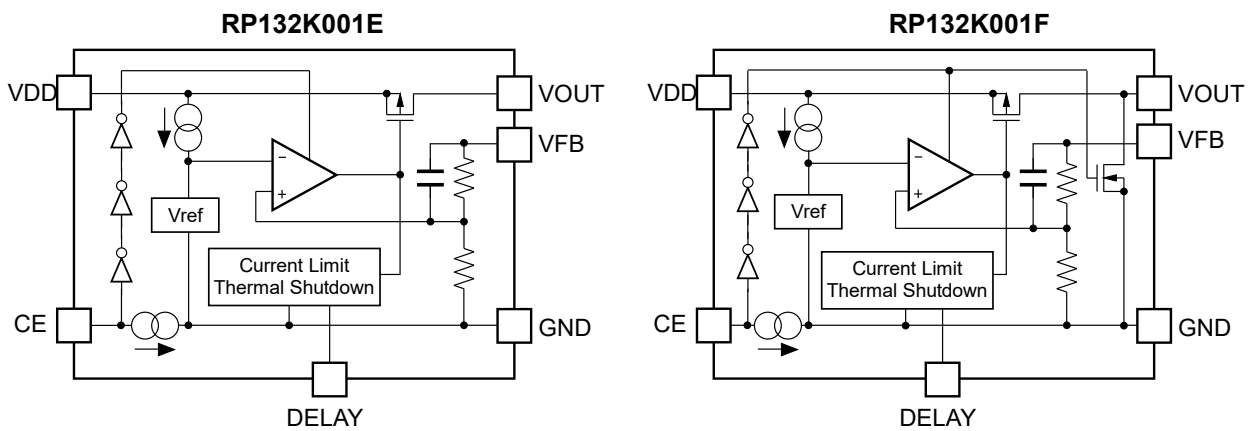
• Fixed Output Voltage Type with DELAY pin (DFN(PL)1820-6)



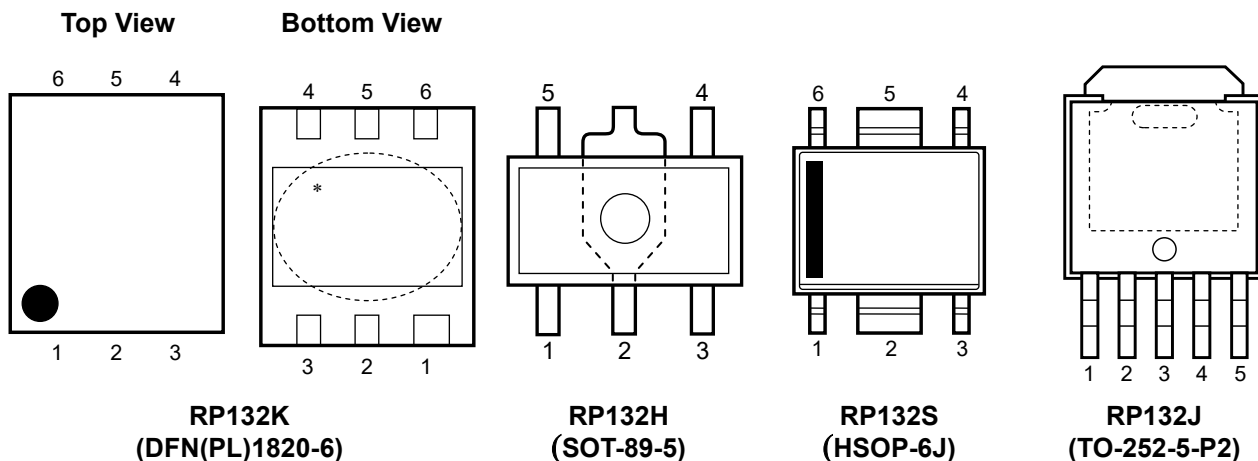
• Adjustable Output Voltage Type (HSOP-6J / SOT-89-5 / TO-252-5-P2 /DFN(PL)1820-6)



• Adjustable Output Voltage Type with DELAY pin (DFN(PL)1820-6)



## PIN DESCRIPTIONS



### RP132K<sup>(1)</sup> (DFN(PL)1820-6) Pin Description

Pin No.	Symbol	Pin Description
1	VOUT	Output Pin <sup>(2)</sup>
2	VFB	Feed Back Pin <sup>(2)</sup>
3	GND	Ground Pin
4	CE	Chip Enable Pin ("H" Active)
5	NC	No Connection (RP132K001B/D, RP132Kxx1B/D)
	DELAY	Delay Pin for setting inrush current limit time (RP132K001E/F, RP132Kxx1E/F)
6	VDD	Input Pin

\*Tab is GND level. (They are connected to the reverse side of this IC.) The tab is better to be connected to the GND, but leaving it open is also acceptable.

<sup>(1)</sup> When using Adjustable Output Voltage Type (RP132K001x), please follow "Notes on the Adjustable Output Voltage Type Settings".

<sup>(2)</sup> When using Fixed Output Voltage Type (RP132Kxx1x), the VOUT pin and the VFB pin should be connected.

**RP132H<sup>(1)</sup> (SOT-89-5) Pin Description**

Pin No.	Symbol	Pin Description
1	CE	Chip Enable Pin ("H" Active) (RP132Hxx1B/D)
	VFB	Feed Back Pin (RP132H001B/D)
2	GND	Ground Pin
3	NC	No Connection (RP132Hxx1B/D)
	CE	Chip Enable Pin ("H" Active) (RP132H001B/D)
4	VDD	Input Pin
5	VOUT	Output Pin

**RP132S<sup>(1)</sup> (HSOP-6J) Pin Description**

Pin No.	Symbol	Pin Description
1	VOUT	Output Pin
2	GND	Ground Pin <sup>(2)</sup>
3	NC	No Connection (RP132Sxx1B/D)
	VFB	Feed Back Pin (RP132S001B/D)
	DELAY	Delay Pin for setting inrush current limit time (RP132Sxx1E/F)
4	CE	Chip Enable Pin ("H" Active)
5	GND	Ground Pin <sup>(2)</sup>
6	VDD	Input Pin

**RP132J<sup>(1)</sup> (TO-252-5-P2) Pin Description**

Pin No.	Symbol	Pin Description
1	CE	Chip Enable Pin ("H" Active)
2	VDD	Input Pin
3	GND	Ground Pin
4	VOUT	Output Pin <sup>(3)</sup>
5	VFB	Feed Back Pin <sup>(3)</sup>

\*Tab is GND level. (They are connected to the reverse side of this IC.) The tab is better to be connected to the GND, but leaving it open is also acceptable.

<sup>(1)</sup> When using Adjustable Output Voltage Type (RP132x001x), please follow "Notes on Adjustable Output Voltage Type Settings".

<sup>(2)</sup> GND pins must be wired each other when mounted on boards.

<sup>(3)</sup> When using Fixed Output Voltage Type (RP132Jxx1x), VOUT pin and VFB pin should be connected.

## ABSOLUTE MAXIMUM RATINGS

Symbol	Item	Rating	Unit	
$V_{IN}$	Input Voltage	7.0	V	
$V_{CE}$	Input Voltage (CE Pin)	-0.3 to 7.0	V	
$V_{FB}$	Input Voltage (VFB Pin)	-0.3 to 7.0	V	
$V_{OUT}$	Output Voltage	-0.3 to $V_{IN}+0.3$	V	
$P_D$	Power Dissipation <sup>(1)</sup>	DFN(PL)1820-6, JEDEC STD.51-7	2200	mW
		SOT-89-5, JEDEC STD.51-7	2600	
		HSOP-6J, JEDEC STD.51-7	2700	
		TO-252-5-P2, JEDEC STD.51-7	3800	
$T_j$	Junction Temperature Range	-40 to 125	°C	
$T_{stg}$	Storage Temperature Range	-55 to 125	°C	

### ABSOLUTE MAXIMUM RATINGS

Electronic and mechanical stress momentarily exceeded absolute maximum ratings may cause permanent damage and may degrade the life time and safety for both device and system using the device in the field. The functional operation at or over these absolute maximum ratings are not assured.

## RECOMMENDED OPERATING CONDITIONS

Symbol	Item	Rating	Unit
$V_{IN}$	Input Voltage	1.4 to 6.5	V
$T_a$	Operating Temperature Range	-40 to 85	°C

### RECOMMENDED OPERATING CONDITIONS

All of electronic equipment should be designed that the mounted semiconductor devices operate within the recommended operating conditions. The semiconductor devices cannot operate normally over the recommended operating conditions, even if they are used over such ratings by momentary electronic noise or surge. And the semiconductor devices may receive serious damage when they continue to operate over the recommended operating conditions.

<sup>(1)</sup> Refer to *POWER DISSIPATION* for detailed information.

## ELECTRICAL CHARACTERISTICS

$V_{IN}$ =Set  $V_{OUT}+1.0V$ ,  $I_{OUT}=1mA$ ,  $C_{IN}=2.2\mu F$ ,  $C_{OUT}=2.2\mu F$  ( $V_{OUT} \leq 3.6V$ ) /  $4.7\mu F$  ( $V_{OUT} > 3.6V$ )

The specification in   is checked and guaranteed by design engineering at  $-40^{\circ}C \leq T_a \leq 85^{\circ}C$ , unless otherwise noted.

**RP132xxx1B/D(Fixed Output Voltage Type) /**

**RP132S/Kxx1E/F(Fixed Output Voltage Type with DELAY pin)**

( $T_a = 25^{\circ}C$ )

Symbol	Item	Conditions	Min.	Typ.	Max.	Unit	
$V_{OUT}$	Output Voltage	$T_a = 25^{\circ}C$	$V_{OUT} > 1.5V$	$\times 0.99$		$\times 1.01$	V
			$V_{OUT} \leq 1.5V$	-15		15	mV
		$-40^{\circ}C \leq T_a \leq 85^{\circ}C$	$V_{OUT} > 1.5V$	<span style="border: 1px solid black; padding: 0 2px;"><math>\times 0.981</math></span>		<span style="border: 1px solid black; padding: 0 2px;"><math>\times 1.019</math></span>	V
			$V_{OUT} \leq 1.5V$	<span style="border: 1px solid black; padding: 0 2px;">-29</span>		<span style="border: 1px solid black; padding: 0 2px;">29</span>	mV
$I_{LIM}$	Output Current Limit		<span style="border: 1px solid black; padding: 0 2px;">1</span>			A	
$\Delta V_{OUT}/\Delta I_{OUT}$	Load Regulation	$0.1mA \leq I_{OUT} \leq 300mA$		3	<span style="border: 1px solid black; padding: 0 2px;">20</span>	mV	
		$0.1mA \leq I_{OUT} \leq 1A$		5	<span style="border: 1px solid black; padding: 0 2px;">60</span>		
$V_{DIF}$	Dropout Voltage	Refer to the following "Dropout Voltage"					
$I_{SS}$	Supply Current	$I_{OUT}=0mA$ ( $V_{IN}=6.5V$ )		65	<span style="border: 1px solid black; padding: 0 2px;">85</span>	$\mu A$	
$I_{standby}$	Standby Current	$V_{CE}=0V$ , $V_{IN}=6.5V$		0.15	0.60	$\mu A$	
$\Delta V_{OUT}/\Delta V_{IN}$	Line Regulation	Set $V_{OUT}+0.5V \leq V_{IN} \leq 6.5V$ * However, $V_{IN} \geq 1.6V$		0.05	<span style="border: 1px solid black; padding: 0 2px;">0.10</span>	%/V	
$R_R$	Ripple Rejection	f=1kHz Ripple 0.2Vp-p $I_{OUT}=100mA$	$V_{OUT} \leq 3.3V$		70	dB	
			$V_{OUT} > 3.3V$		60		
$V_{IN}$	Input Voltage		<span style="border: 1px solid black; padding: 0 2px;">1.4</span>		<span style="border: 1px solid black; padding: 0 2px;">6.5</span>	V	
$I_{SC}$	Short Current Limit	$V_{OUT}=0V$		250		mA	
$I_{PD}$	CE Pull-down Current			0.3	<span style="border: 1px solid black; padding: 0 2px;">0.7</span>	$\mu A$	
$V_{CEH}$	CE Input Voltage "H"		<span style="border: 1px solid black; padding: 0 2px;">1.0</span>			V	
$V_{CEL}$	CE Input Voltage "L"				<span style="border: 1px solid black; padding: 0 2px;">0.4</span>	V	
en	Output Noise	BW=10Hz to 100kHz		70		$\mu V_{rms}$	
$T_{TSD}$	Thermal Shutdown Detection Temperature	Junction Temperature		165		$^{\circ}C$	
$T_{TSR}$	Thermal Shutdown Released Temperature	Junction Temperature		95		$^{\circ}C$	
$R_{LOW}$	Low Output Nch Tr. ON Resistance (D/F version)	$V_{IN}=4.0V$ , $V_{CE}=0V$		50		$\Omega$	
$I_{DELAY}$	DELAY pin Current (DELAY pin version)	$V_{IN}=4.0V$	<span style="border: 1px solid black; padding: 0 2px;">0.7</span>	1.2	<span style="border: 1px solid black; padding: 0 2px;">1.7</span>	$\mu A$	

All test items listed under Electrical Characteristics are done under the pulse load condition ( $T_j \approx T_a = 25^{\circ}C$ ) except Output Noise, Ripple Rejection, Dropout Voltage at 1A Output Current and Load Regulation and Thermal Shutdown.



The specification in  is checked and guaranteed by design engineering at  $-40^{\circ}\text{C} \leq T_a \leq 85^{\circ}\text{C}$ , unless otherwise noted.

**Dropout Voltage****(Ta = 25°C)**

Output Voltage $V_{\text{OUT}}$ (V)	Dropout Voltage $V_{\text{DIF}}$ (V)					
	Condition	Typ.	Max.	Condition	Typ.	Max.
$0.8 \leq V_{\text{OUT}} < 0.9$	$I_{\text{OUT}}=300\text{mA}$	0.67	<input type="checkbox"/> 0.89	$I_{\text{OUT}}=1\text{A}$	1.20	<input type="checkbox"/> 1.54
$0.9 \leq V_{\text{OUT}} < 1.0$		0.59	<input type="checkbox"/> 0.82		1.10	<input type="checkbox"/> 1.46
$1.0 \leq V_{\text{OUT}} < 1.1$		0.51	<input type="checkbox"/> 0.73		1.05	<input type="checkbox"/> 1.39
$1.1 \leq V_{\text{OUT}} < 1.2$		0.42	<input type="checkbox"/> 0.63		0.96	<input type="checkbox"/> 1.31
$1.2 \leq V_{\text{OUT}} < 1.5$		0.36	<input type="checkbox"/> 0.54		0.90	<input type="checkbox"/> 1.23
$1.5 \leq V_{\text{OUT}} < 2.6$		0.24	<input type="checkbox"/> 0.33		0.78	<input type="checkbox"/> 1.05
$2.6 \leq V_{\text{OUT}} < 3.3$		0.15	<input type="checkbox"/> 0.21		0.52	<input type="checkbox"/> 0.72
$3.3 \leq V_{\text{OUT}} \leq 5.5$		0.13	<input type="checkbox"/> 0.18		0.46	<input type="checkbox"/> 0.68

$V_{IN} = \text{Set } V_{OUT} + 1.0V, I_{OUT} = 1mA, C_{IN} = 2.2\mu F, C_{OUT} = 2.2\mu F, V_{OUT} \leq 3.6V, 4.7\mu F, V_{OUT} > 3.6V$

The specification in   is checked and guaranteed by design engineering at  $-40^{\circ}C \leq T_a \leq 85^{\circ}C$ , unless otherwise noted.

**RP132x001B/D(Adjustable Output Voltage Type) /**

**RP132K001E/F(Adjustable Output Voltage Type with DELAY pin)**

( $T_a = 25^{\circ}C$ )

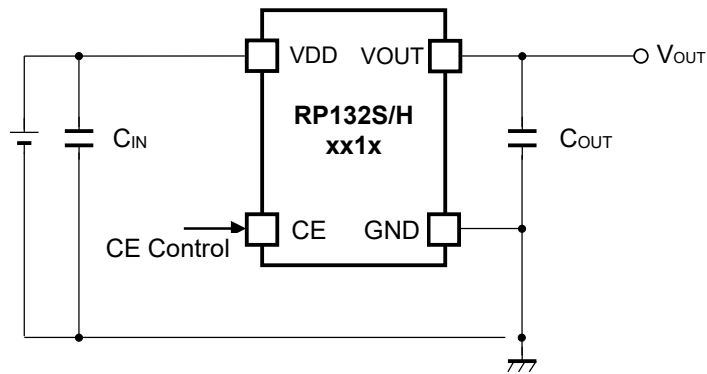
Symbol	Item	Conditions	Min.	Typ.	Max.	Unit
$V_{FB}$	Feedback Voltage	$T_a = 25^{\circ}C$	0.785	0.800	0.815	V
		$-40^{\circ}C \leq T_a \leq 85^{\circ}C$	<span style="border: 1px solid black; padding: 0 2px;">0.771</span>		<span style="border: 1px solid black; padding: 0 2px;">0.829</span>	
$V_{OUT}$	Output Voltage Adjusting Range		0.8		5.5	V
$I_{LIM}$	Output Current Limit	$V_{OUT} = V_{FB}$	<span style="border: 1px solid black; padding: 0 2px;">1</span>			A
$\frac{\Delta V_{OUT}}{\Delta I_{OUT}}$	Load Regulation	$0.1mA \leq I_{OUT} \leq 300mA$		3	<span style="border: 1px solid black; padding: 0 2px;">20</span>	mV
		$0.1mA \leq I_{OUT} \leq 1A$		5	<span style="border: 1px solid black; padding: 0 2px;">60</span>	
$V_{DIF}$	Dropout Voltage	$V_{OUT} = V_{FB}$	$I_{OUT} = 300mA$	0.67	<span style="border: 1px solid black; padding: 0 2px;">0.89</span>	V
			$I_{OUT} = 1A$	1.20	<span style="border: 1px solid black; padding: 0 2px;">1.54</span>	
ISS	Supply Current	$V_{OUT} = V_{FB}, I_{OUT} = 0mA$ ( $V_{IN} = 6.5V$ )		65	<span style="border: 1px solid black; padding: 0 2px;">85</span>	$\mu A$
Istandby	Standby Current	$V_{CE} = 0V, V_{IN} = 6.5V$		0.15	0.60	$\mu A$
$\frac{\Delta V_{OUT}}{\Delta V_{IN}}$	Line Regulation	$V_{OUT} = V_{FB}, 1.6V \leq V_{IN} \leq 6.5V$		0.05	<span style="border: 1px solid black; padding: 0 2px;">0.10</span>	%/V
$R_R$	Ripple Rejection	$f = 1kHz,$ Ripple 0.2Vp-p, $I_{OUT} = 100mA$		$V_{OUT} = V_{FB}$ 70		dB
$V_{IN}$	Input Voltage		<span style="border: 1px solid black; padding: 0 2px;">1.4</span>		<span style="border: 1px solid black; padding: 0 2px;">6.5</span>	V
$I_{SC}$	Short Current Limit	$V_{OUT} = V_{FB} = 0V$		250		mA
$I_{PD}$	CE Pull-down Current			0.3	<span style="border: 1px solid black; padding: 0 2px;">0.7</span>	$\mu A$
$V_{CEH}$	CE Input Voltage "H"		<span style="border: 1px solid black; padding: 0 2px;">1.0</span>			V
$V_{CEL}$	CE Input Voltage "L"				<span style="border: 1px solid black; padding: 0 2px;">0.4</span>	V
en	Output Noise	BW=10Hz to 100kHz		70		$\mu V_{rms}$
$T_{TSD}$	Thermal Shutdown Detection Temperature	Junction Temperature		165		$^{\circ}C$
$T_{TSR}$	Thermal Shutdown Released Temperature	Junction Temperature		95		$^{\circ}C$
$R_{LOW}$	Low Output Nch Tr. ON Resistance (D/F version)	$V_{IN} = 4.0V, V_{CE} = 0V$		50		$\Omega$
$I_{DELAY}$	DELAY pin Current (DELAY pin version)	$V_{IN} = 4.0V$	<span style="border: 1px solid black; padding: 0 2px;">0.7</span>	1.2	<span style="border: 1px solid black; padding: 0 2px;">1.7</span>	$\mu A$

All test items listed under Electrical Characteristics are done under the pulse load condition ( $T_j \approx T_a = 25^{\circ}C$ ) except Output Noise, Ripple Rejection, Dropout Voltage at 1A Output Current and Load Regulation and Thermal Shutdown.

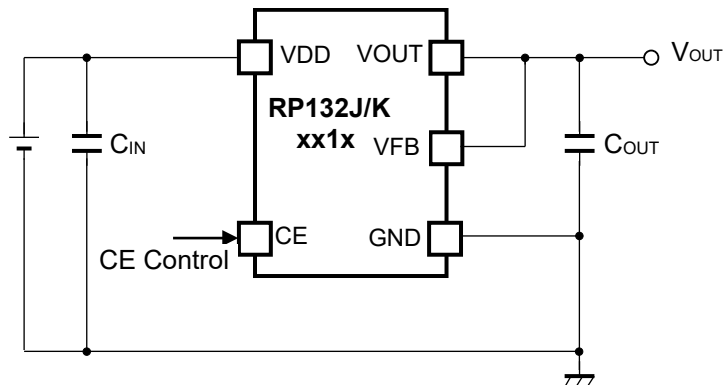
## APPLICATION INFORMATION

### Typical Application Circuits

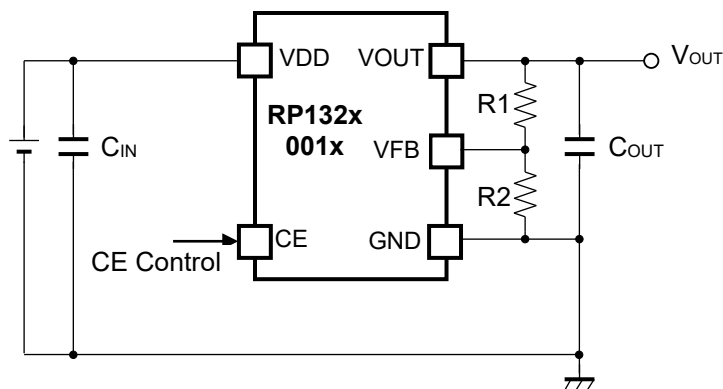
#### Fixed Output Voltage Type (HSOP-6J/ SOT89-5)



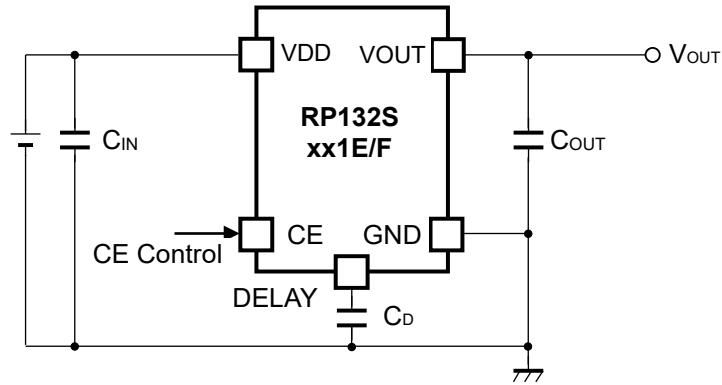
#### Fixed Output Voltage Type (TO-252-5-P2/ DFN(PL)1820-6)



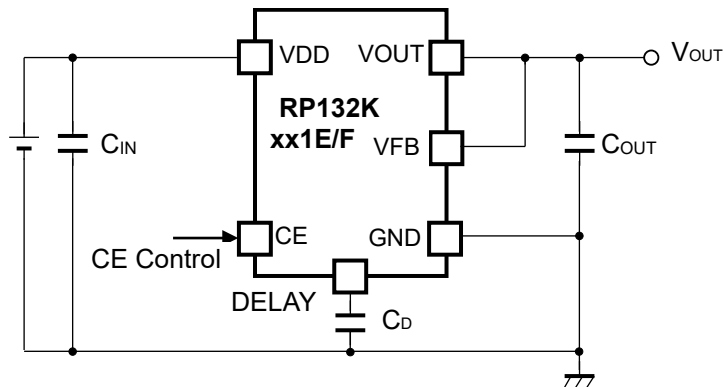
#### Adjustable Output Voltage Type (HSOP-6J / SOT89-5/ TO-252-5-P2 / DFN(PL)1820-6)



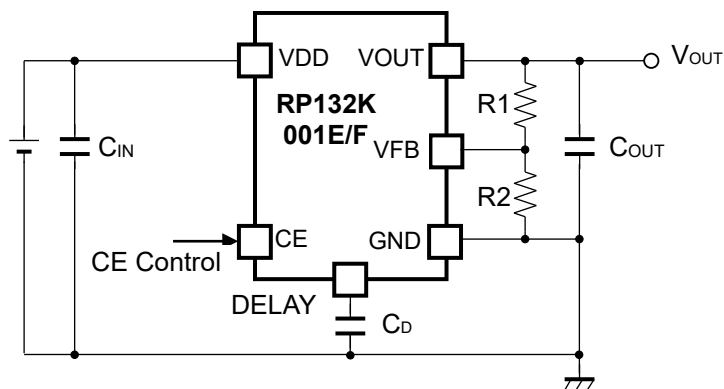
**Fixed Output Voltage Type with DELAY pin (HSOP-6J)**



**Fixed Output Voltage Type with DELAY pin (DFN(PL)1820-6)**



**Adjustable Output Voltage Type with DELAY pin (DFN(PL)1820-6)**



**Recommended External Components**

$V_{OUT}$	Capacitors	
$V_{OUT} \leq 3.6V$	$C_{IN}$ (C1)	Kyocera 2.2 $\mu$ F (size:1005) [CM05X5R225M06A]
	$C_{OUT}$ (C2)	Kyocera 2.2 $\mu$ F (size:1608) [CM105X5R225K06AB]
$V_{OUT} > 3.6V$	$C_{IN}$ (C1)	Kyocera 2.2 $\mu$ F (size:1005) [CM05X5R225K06A]
	$C_{OUT}$ (C2)	Kyocera 4.7 $\mu$ F (size:1608) [CM105X5R475M06AB]

Please refer to "Technical Notes on Adjustable Output Voltage Type" when using R1 and R2 as output capacitors. Also refer to "Inrush Current Limit Time Settings" concerning with  $C_D$ .

**Technical Notes on the External Components**

When using this IC, consider the following points:

**Phase Compensation**

In this IC, phase compensation is made for securing stable operation even if the load current is varied. For this purpose, use a 4.7 $\mu$ F or more capacitor  $C_{OUT}$  between  $V_{OUT}$  pin and GND pin, and as close as possible to the pins.

If a tantalum capacitor is used, and its ESR (Equivalent Series Resistance) of  $C_{OUT}$  is large, the loop oscillation may result. Because of this, select  $C_{OUT}$  carefully considering its frequency characteristics.

**PCB Layout**

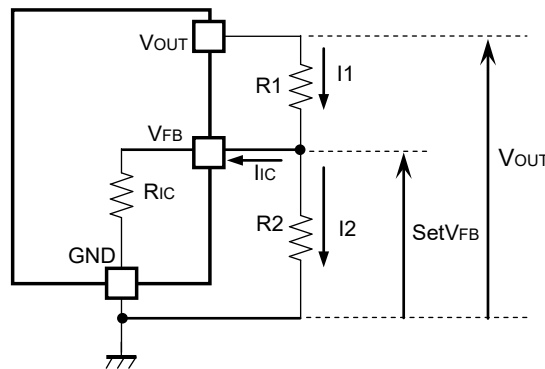
Make  $V_{DD}$  and GND lines sufficient. If their impedance is high, noise pickup or unstable operation may result. Connect a 2.2  $\mu$ F or more capacitor  $C_{IN}$  between  $V_{DD}$  and GND pin with a capacitance value as "Recommendation value of the external capacitors" above or more, and as close as possible to the pins.

Set external components, especially the output capacitor  $C_{OUT}$ , as close as possible to the IC, and make wiring as short as possible.

When using the Adjustable Output Voltage Type, the transient response could be affected by the external resistors. Evaluate the circuit taking the actual conditions of use into account.

**Output Voltage Setting Method (Adjustable Output Voltage Type)**

RP132x081x can be adjusted the output voltage up to 5.5V by using the external divider resistors. Also, please use 16k $\Omega$  or less for R2 resistor. If the  $V_{FB}$  voltage is described as  $setV_{FB}$ , the output voltage can be set by using the following equations.  $setV_{FB}$  is equal to 0.8V. The  $V_{OUT}$  pin of RP132x081x should be connected to the  $V_{FB}$  pin.



$$I1 = I_{IC} + I2 \dots\dots\dots (1)$$

$$I2 = \text{set}V_{FB} / R2 \dots\dots\dots (2)$$

Thus,

$$I1 = I_{IC} + \text{set}V_{FB} / R2 \dots\dots\dots (3)$$

Therefore,

$$V_{OUT} = \text{set}V_{FB} \times R1 \times I1 \dots\dots\dots (4)$$

Put Equation (3) into Equation (4), then

$$\begin{aligned} V_{OUT} &= \text{set}V_{FB} + R1(I_{IC} + \text{set}V_{FB} / R2) \\ &= \text{set}V_{FB} \times (1 + R1 / R2) + R1 \times I_{IC} \dots\dots\dots (5) \end{aligned}$$

In Equation (5),  $R1 \times I_{IC}$  is the error-causing factor in  $V_{OUT}$ .

As for  $I_{IC}$ ,

$$I_{IC} = \text{set}V_{FB} / R_{IC} \dots\dots\dots (6)$$

Therefore, the error-causing factor  $R1 \times I_{IC}$  can be described as follows.

$$\begin{aligned} R1 \times I_{IC} &= R1 \times \text{set}V_{FB} / R_{IC} \\ &= \text{set}V_{FB} \times R1 / R_{IC} \dots\dots\dots (7) \end{aligned}$$

For better accuracy, choosing  $R1 \ll R_{IC}$  reduces this error.

Without the error-causing factor  $R1 \times I_{IC}$ , the output voltage can be calculated by the following equation

$$V_{OUT} = \text{set}V_{FB} \times ((R1 + R2) / R2) \dots\dots\dots (8)$$

$R_{IC}$  of RP132x is approximately Typ.1.3MΩ ( $T_a=25^\circ\text{C}$ , this value is guaranteed by design.). The value could be affected by the temperature, therefore evaluate the circuit taking the actual conditions of use into account.

**Inrush Current Limit Time Settings**

The RP132xSeries include the circuit which can limit the inrush current at start-up to 500mA or less. The current limit time of B/D version is fixed internally as approximately Typ.500μs. On the other hand, the current limit times of E/F versions are adjustable by controlling the DELAY pin value, which is the capacitance value connected between DLEAY pin and GND pin. The relation between Inrush Current Limit Time ( $t_D$ [s]) and the DELAY pin capacitance ( $C_D$ [F]) can be described in the following equation.

$$t_D = (C_D + 70 \times 10^{-12}) \times 0.525 \times 10^6$$

When not using  $C_D$  on E/F versions, DELAY pin should be open. In this case,  $C_D=0$  is applied to the above equation and as a result,  $37\mu s$  can be obtained. That means, when using  $C_D$  on E/F versions, the inrush current limit time will be more than  $37\mu s$ . Please note that during the inrush current limit time, the load current cannot be more than the limited current.

### ESR vs. Output Current

The relations between  $I_{OUT}$  (Output Current) and ESR of an output capacitor are shown below. The conditions when the white noise level is under  $40\mu V$  (Avg.) are marked as the hatched area in the graph.

#### Measurement Conditions

Frequency Band : 10Hz to 2MHz

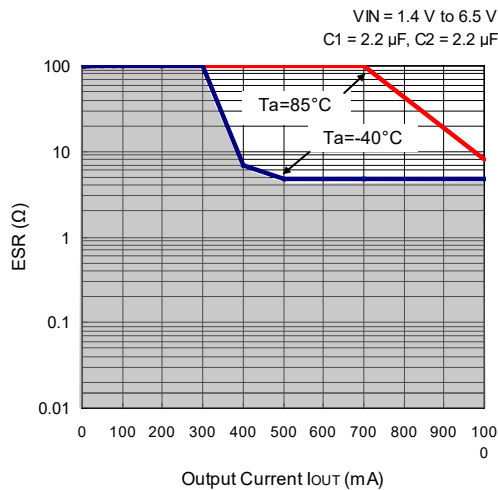
Temperature :  $-40^\circ C$  to  $85^\circ C$

Hatched Area : Noise level is under  $40\mu V_{ms}$  (Avg.)

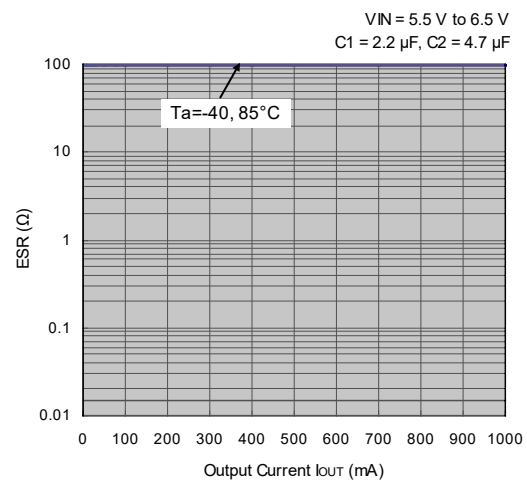
$C_{IN}$  (C1) :  $2.2\mu F$  (Kyocera CM05X5R225M06A)

$C_{OUT}$  (C2) :  $2.2\mu F$  ( $V_{OUT} = 0.8V$ , Kyocera CM105X5R225K06AB)  
 $4.7\mu F$  ( $V_{OUT} = 5.5V$ , Kyocera CM105X5R475M06AB)

**RP132x081x**



**RP132x551x**

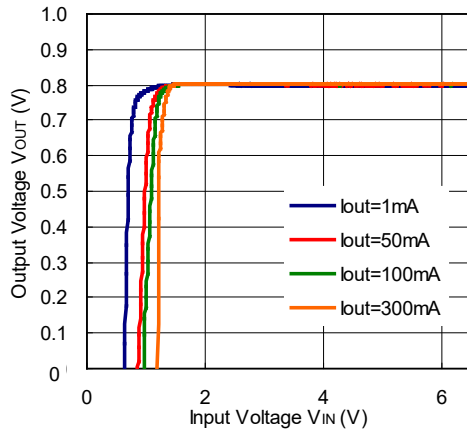


## TYPICAL CHARACTERISTICS

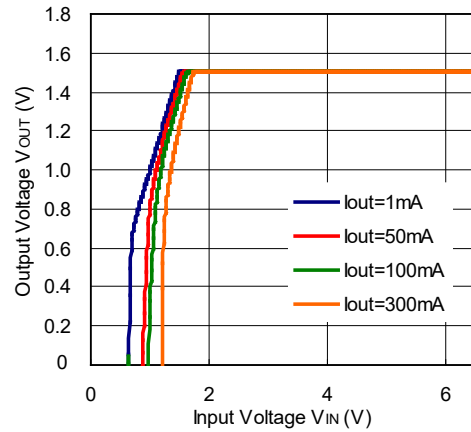
Typical Characteristics are intended to be used as reference data; they are not guaranteed.

### 1) Output Voltage vs. Input Voltage (Ta=25°C)

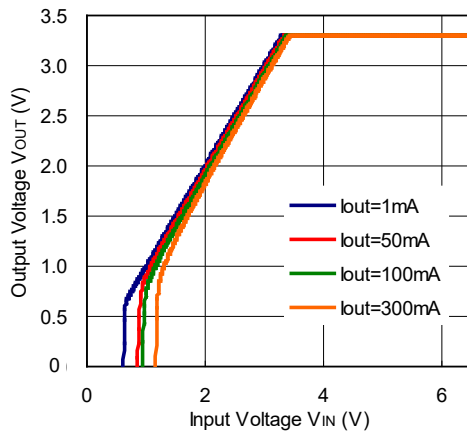
RP132x081x



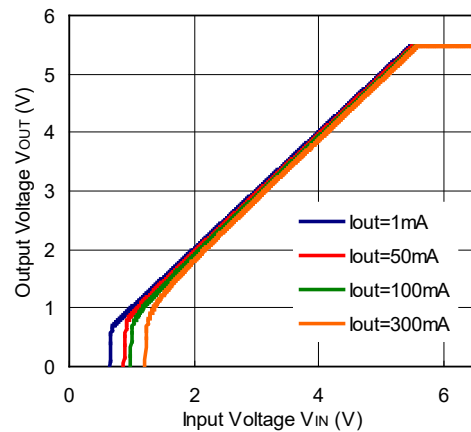
RP132x151x



RP132x331x

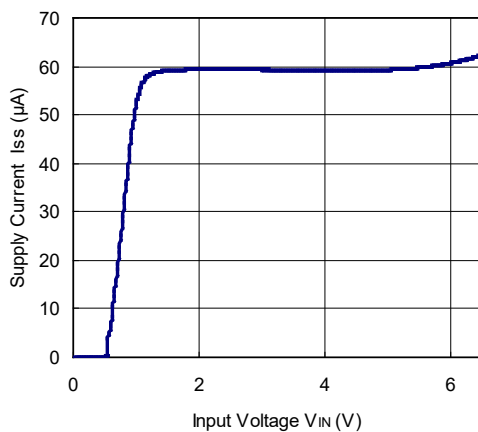


RP132x551x

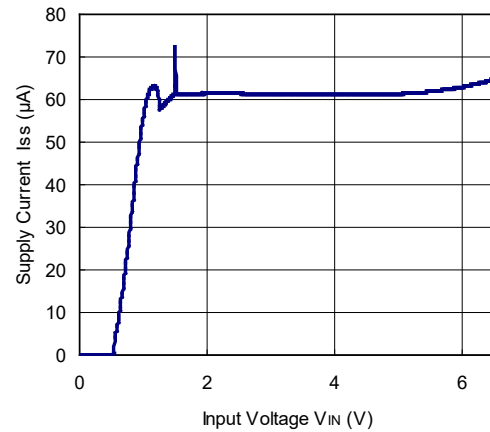


### 2) Supply Current vs. Input Voltage (Ta=25°C)

RP13x081x

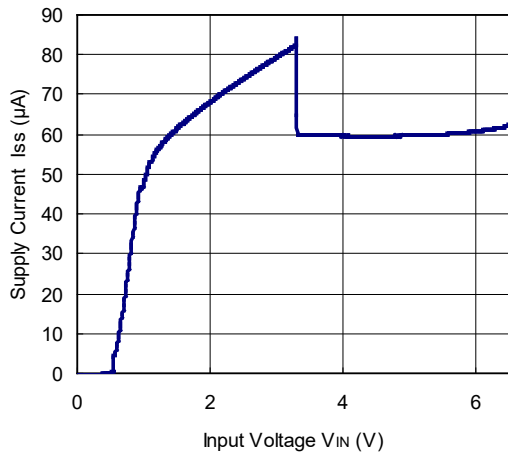


RP132x151x

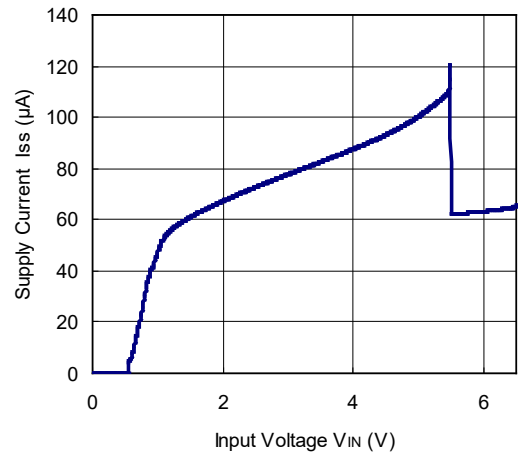




RP132x331x

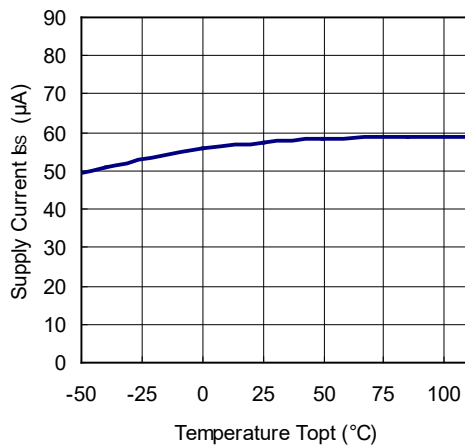


RP132x551x

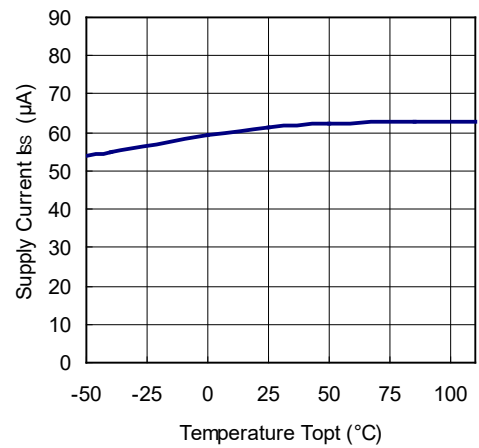


3) Supply Current vs. Temperature

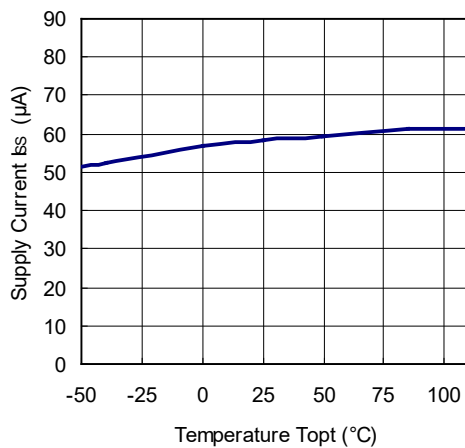
RP132x081x



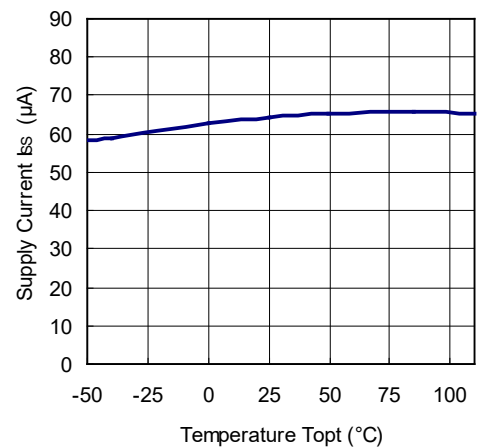
RP132x151x



RP132x331x

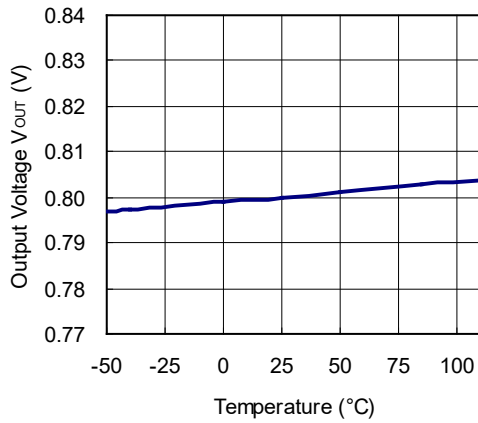


RP132x551x

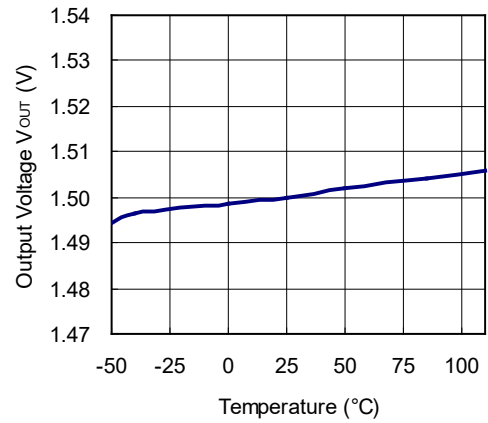


4) Output Voltage vs. Temperature

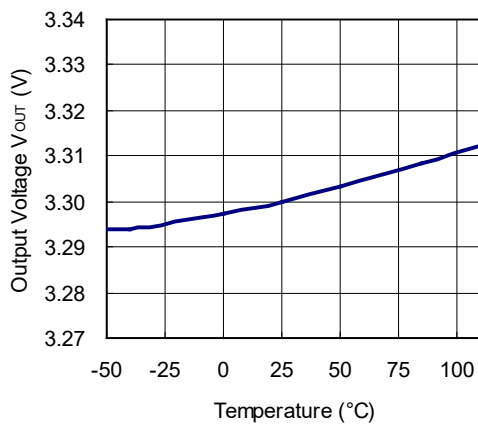
RP132x081x



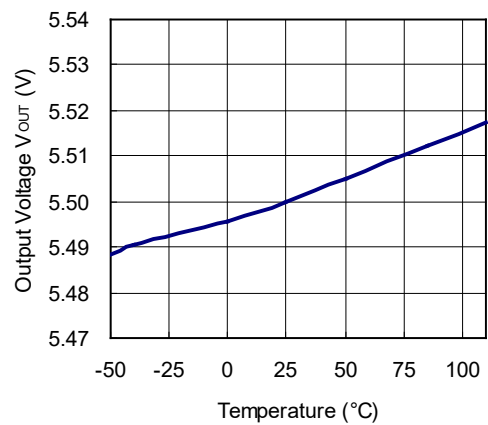
RP132x151x



RP132x331x

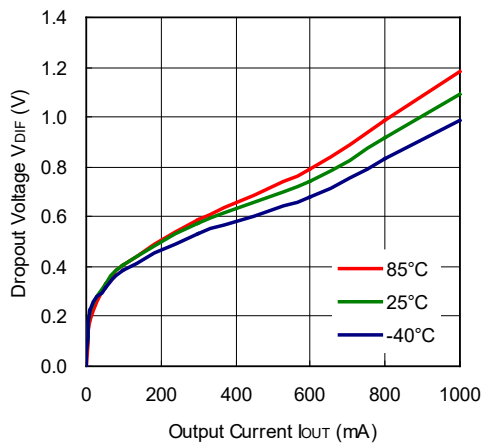


RP132x551x

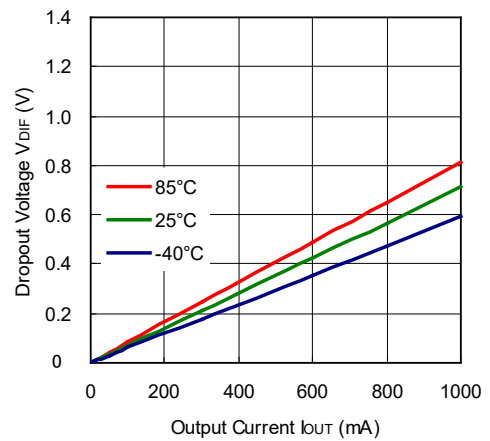


5) Dropout Voltage vs. Output Current

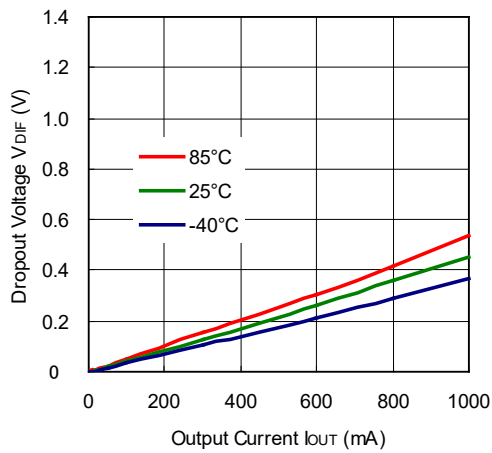
RP132x081x



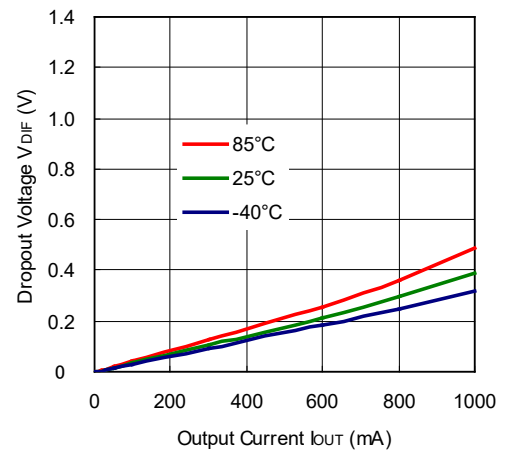
RP132x151x



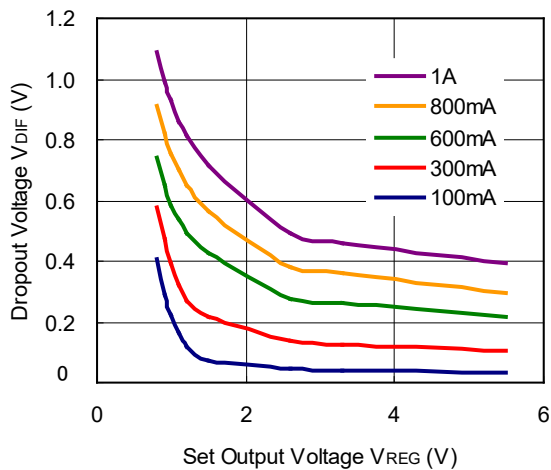
RP132x331x



RP132x551x

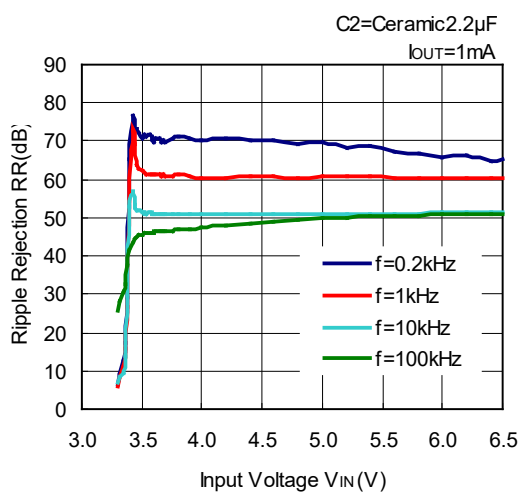


6) Dropout Voltage vs. Set Output Voltage

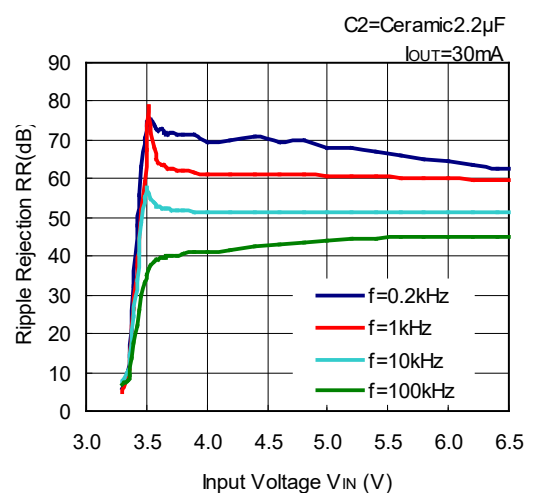


7) Ripple Rejection vs. Input Voltage ( $C_{IN}$ =none, Ripple=0.2Vp-p,  $T_a$ =25°C)

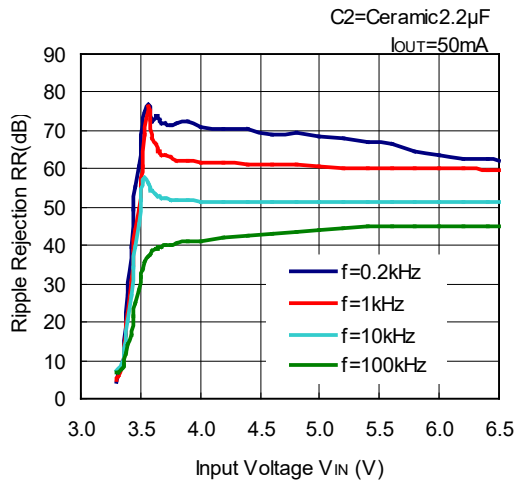
RP132x331x



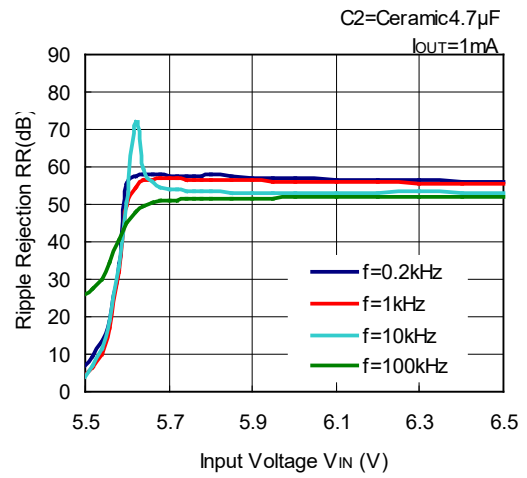
RP132x331x



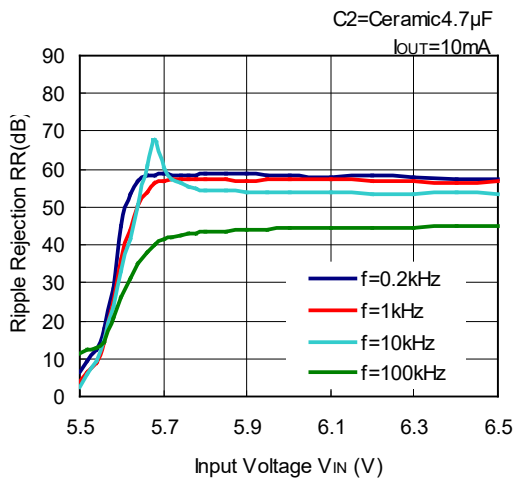
RP132x331x



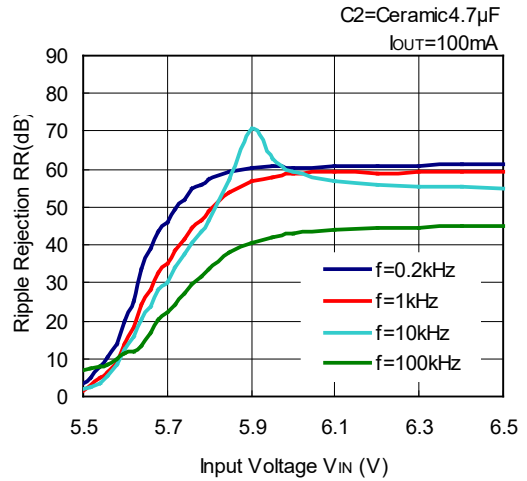
RP131x551x



RP132x551x

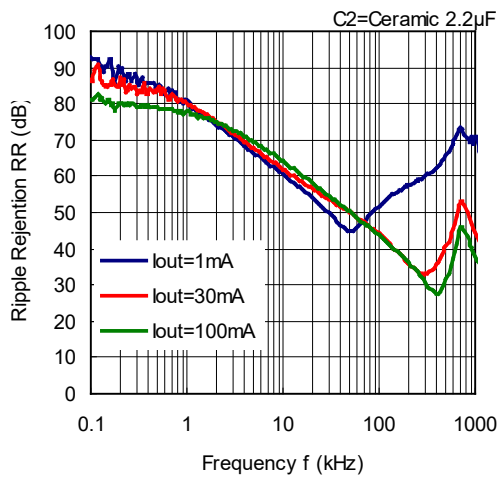


RP132x551x

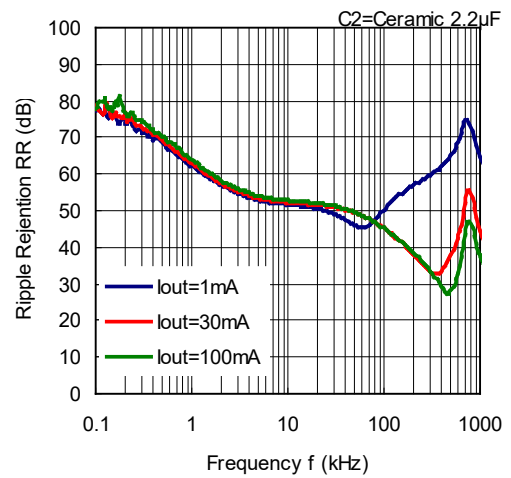


8) Ripple Rejection vs. Frequency (C<sub>IN</sub> =none, T<sub>a</sub>=25°C)

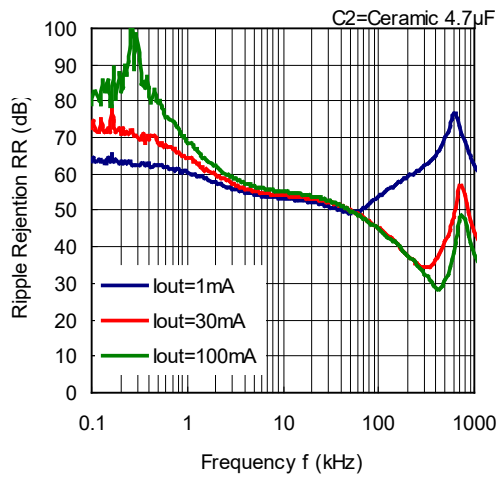
RP132x081x



RP132x331x

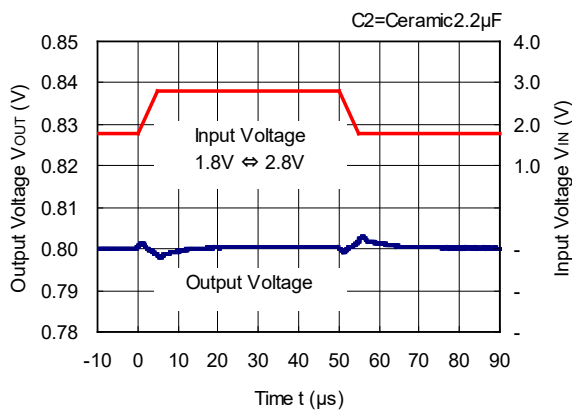


**RP132x551x**

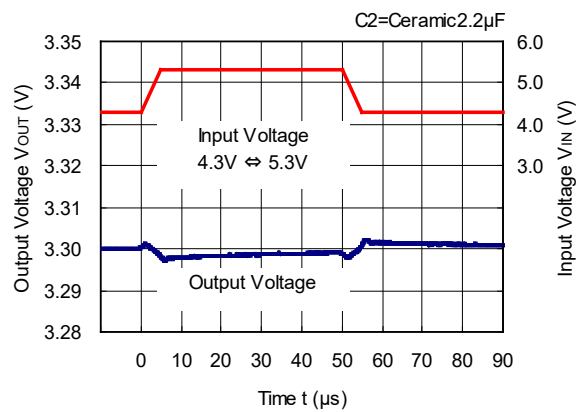


**9) Input Transient Response ( $C_{IN}$  =none,  $I_{OUT}$ =100mA,  $t_r$ = $t_f$ =5 $\mu$ s,  $T_a$ =25 $^{\circ}$ C)**

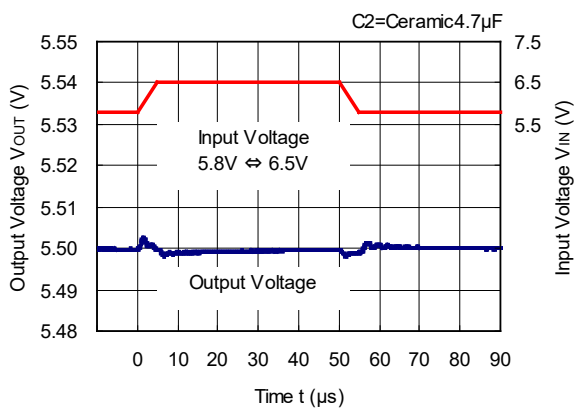
**RP132x081x**



**RP132x331x**

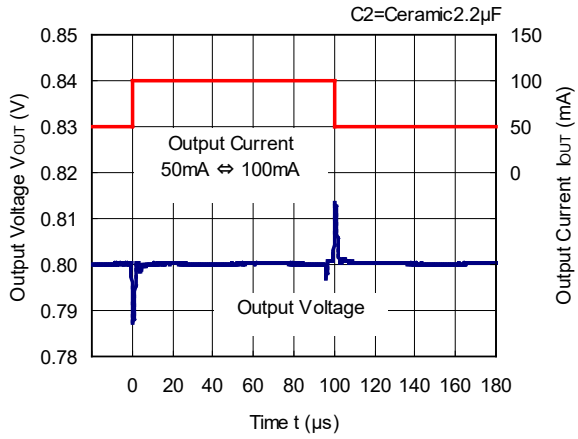


**RP132x551x**

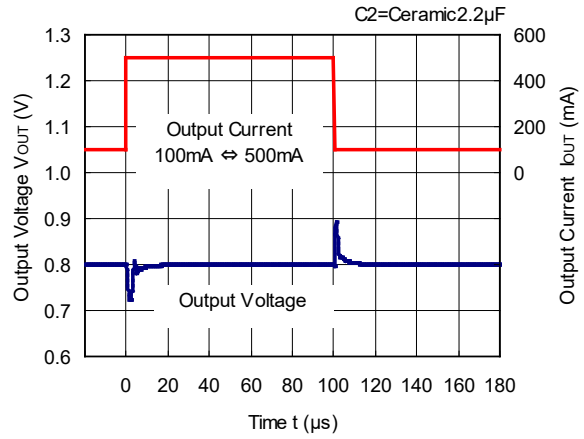


10) Load Transient Response ( $V_{IN}=V_{OUT}+1.0V$ ,  $C_{IN}$  =Ceramic  $2.2\mu F$ ,  $t_r=t_f=0.5\mu s$ ,  $T_a=25^\circ C$ )

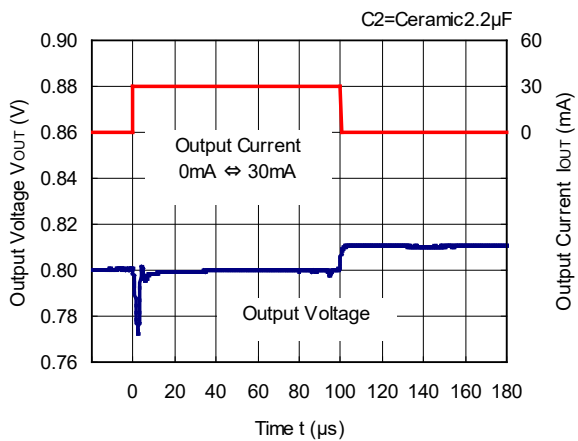
RP132x081x



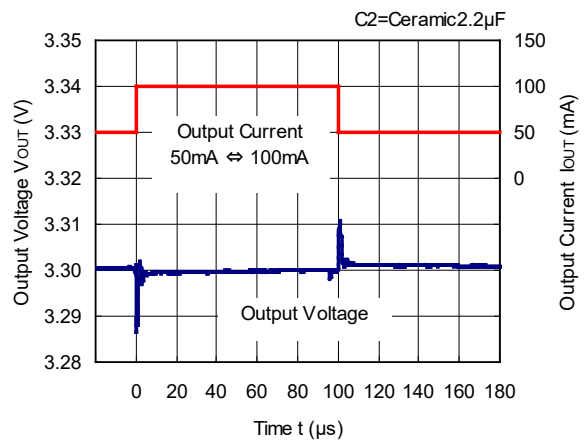
RP132x081x



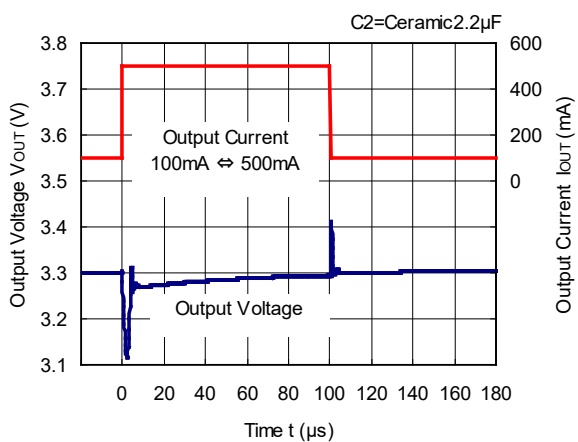
RP132x081x



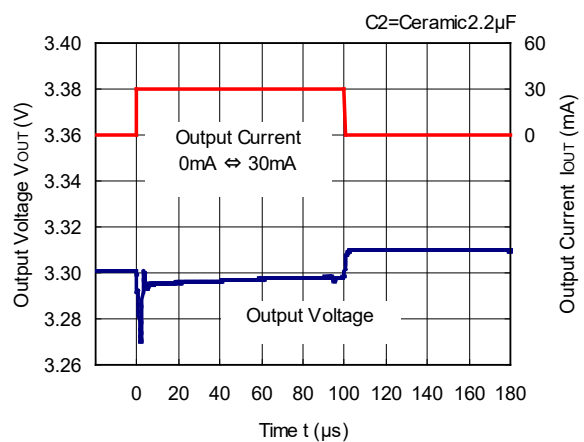
RP132x331x



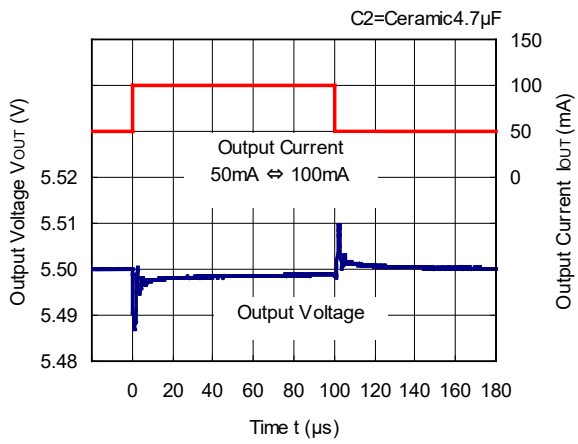
RP132x331x



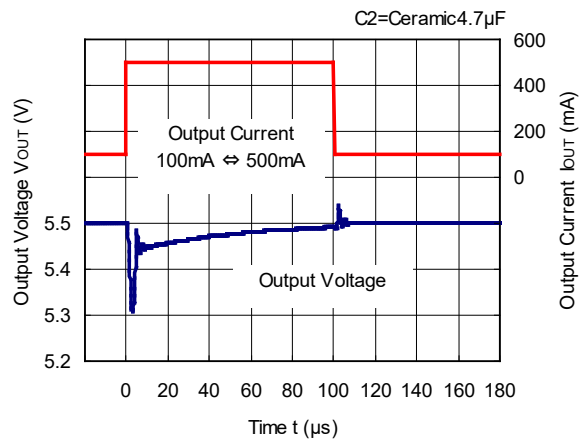
RP132x331x



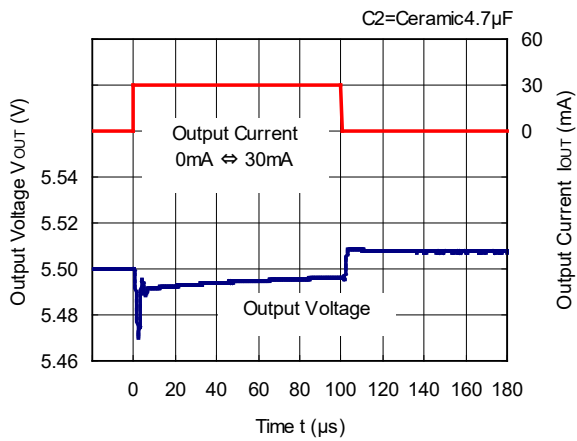
RP132x551x



RP132x551x

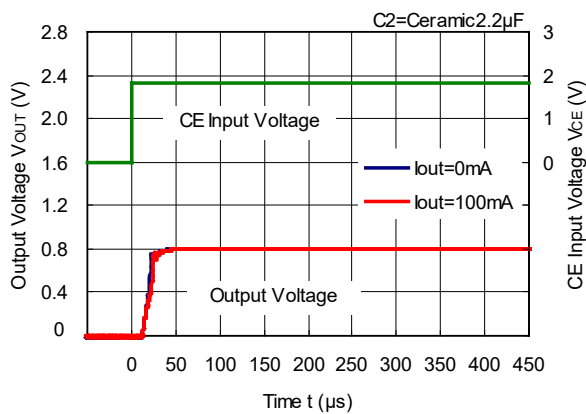


RP132x551x

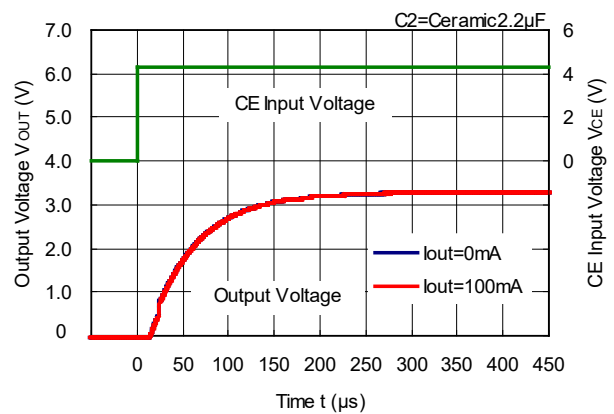


11) Turn on Speed with CE pin ( $C_{IN}$  =Ceramic 2.2 $\mu$ F,  $T_a=25^\circ\text{C}$ )

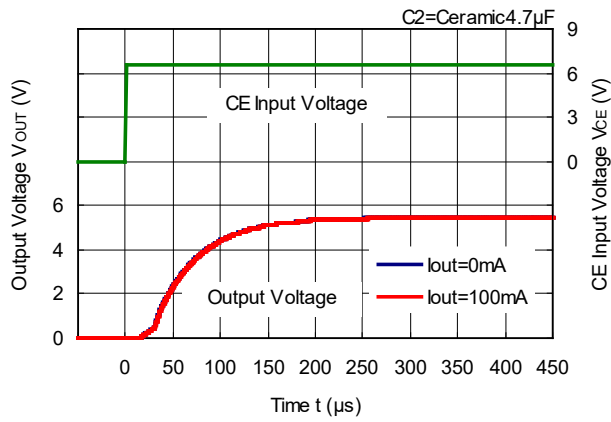
RP132x081x



RP132x331x

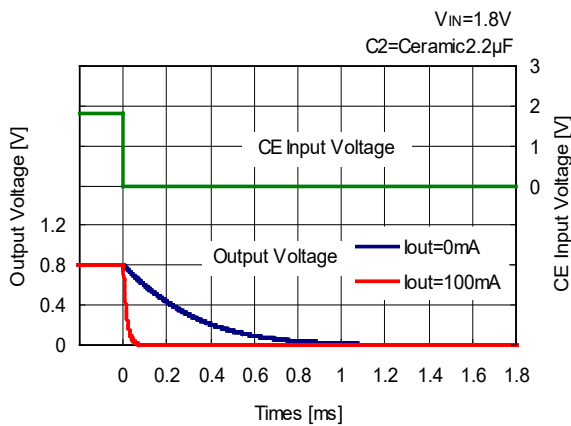


**RP132x551x**

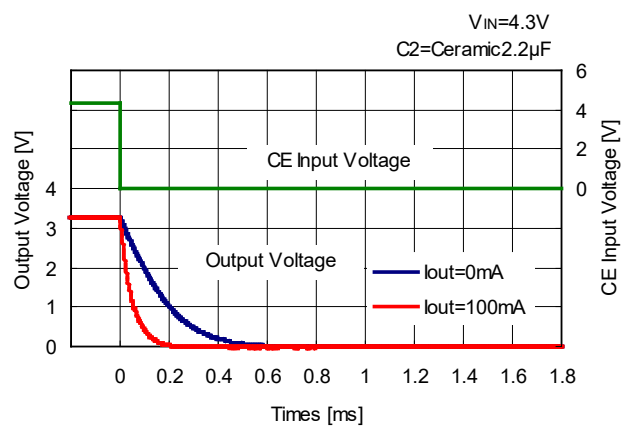


**12) Turn off Speed with CE pin (D version) (C<sub>IN</sub> =Ceramic 2.2μF, Ta=25°C)**

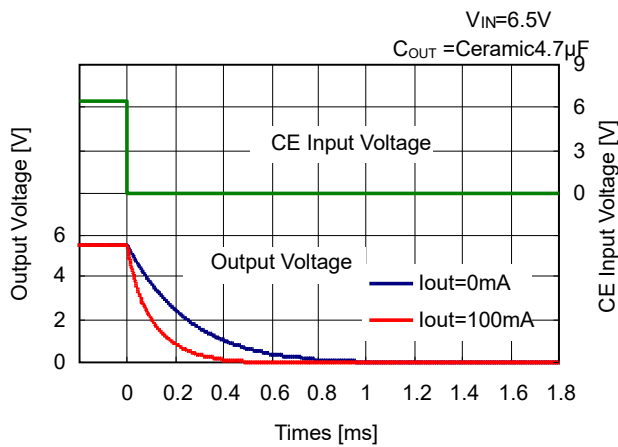
**RP132x081D**



**RP132x331D**



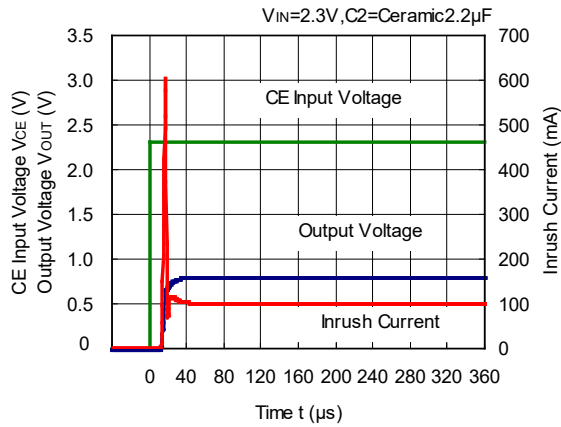
**RP132x551D**



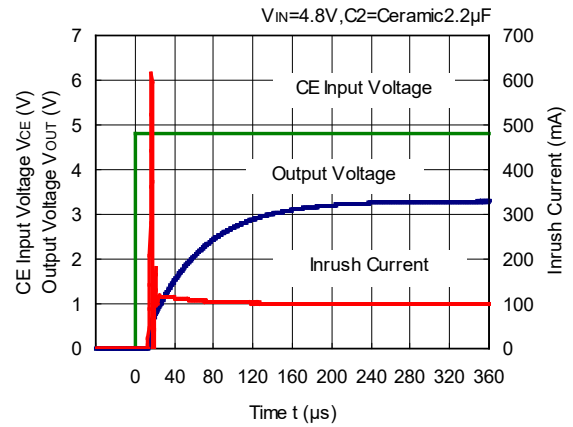


13) Inrush Current ( $C_{IN}$  =Ceramic 2.2 $\mu$ F,  $I_{OUT}$ =100mA,  $T_a$ =25°C)

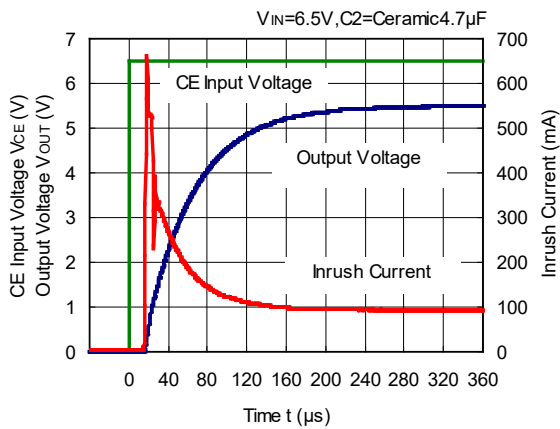
RP132x081x



RP132x331x

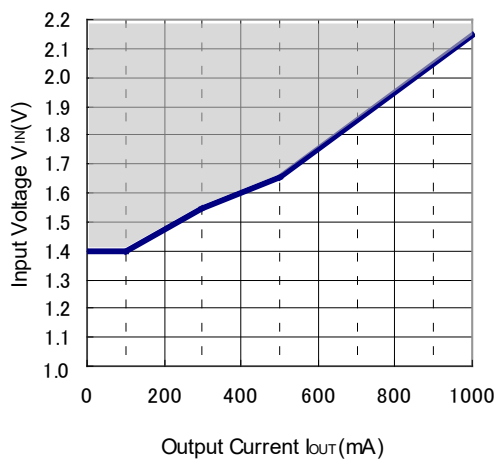


RP132x551x



14) Minimum Operating Voltage

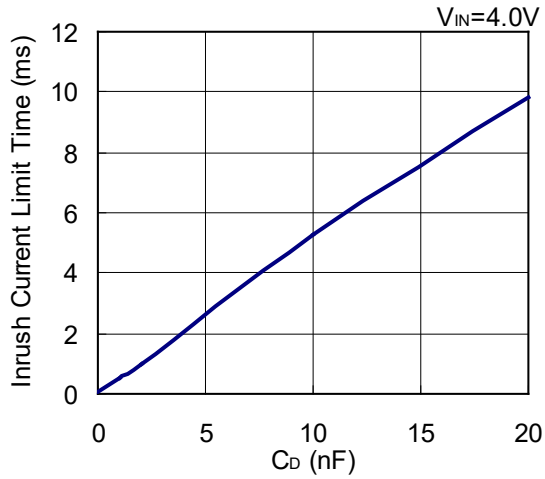
RP132x081x



The operation range that can output 0.8V is shown by the hatched area in the graph.

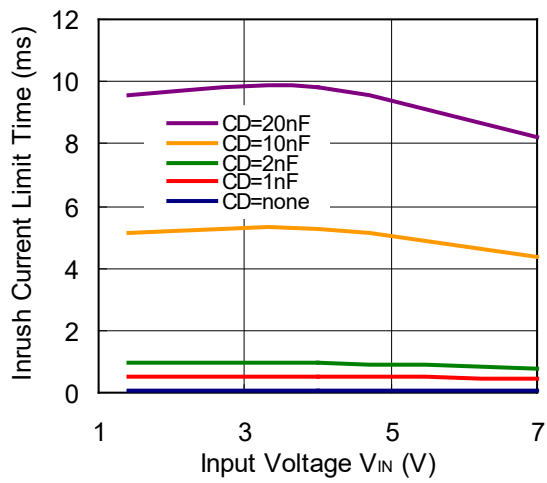
15) Inrush Current Limit Time vs.  $C_D$  Capacitance (E / F Version)

RP132x081x



16) Inrush Current Limit Time vs. Input Voltage (E / F Version)

RP132x081x



The power dissipation of the package is dependent on PCB material, layout, and environmental conditions. The following measurement conditions are based on JEDEC STD. 51.

**Measurement Conditions**

Item	Measurement Conditions
Environment	Mounting on Board (Wind Velocity = 0 m/s)
Board Material	Glass Cloth Epoxy Plastic (Four-Layer Board)
Board Dimensions	76.2 mm × 114.3 mm × 0.8 mm
Copper Ratio	Outer Layer (First Layer): Less than 95% of 50 mm Square Inner Layers (Second and Third Layers): Approx. 100% of 50 mm Square Outer Layer (Fourth Layer): Approx. 100% of 50 mm Square
Through-holes	φ 0.2 mm × 36 pcs

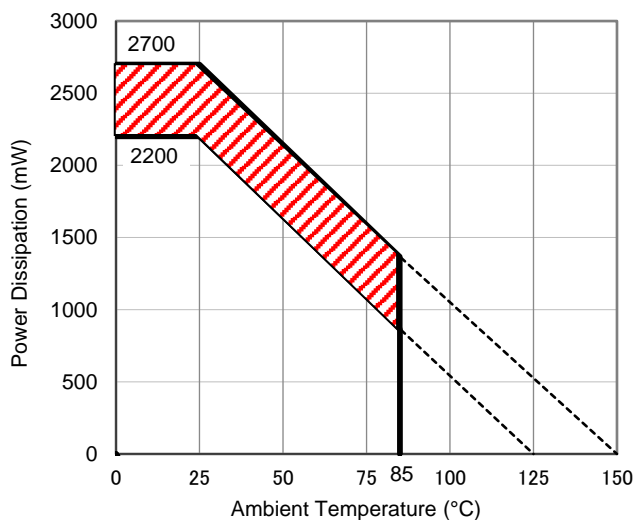
**Measurement Result**

(Ta = 25°C, Tjmax = 125°C)

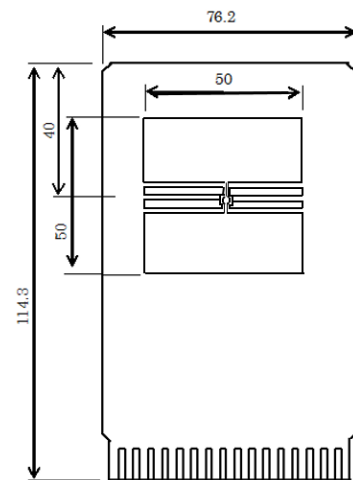
Item	Measurement Result
Power Dissipation	2200 mW
Thermal Resistance (θja)	θja = 45°C/W
Thermal Characterization Parameter (ψjt)	ψjt = 18°C/W

θja: Junction-to-Ambient Thermal Resistance

ψjt: Junction-to-Top Thermal Characterization Parameter



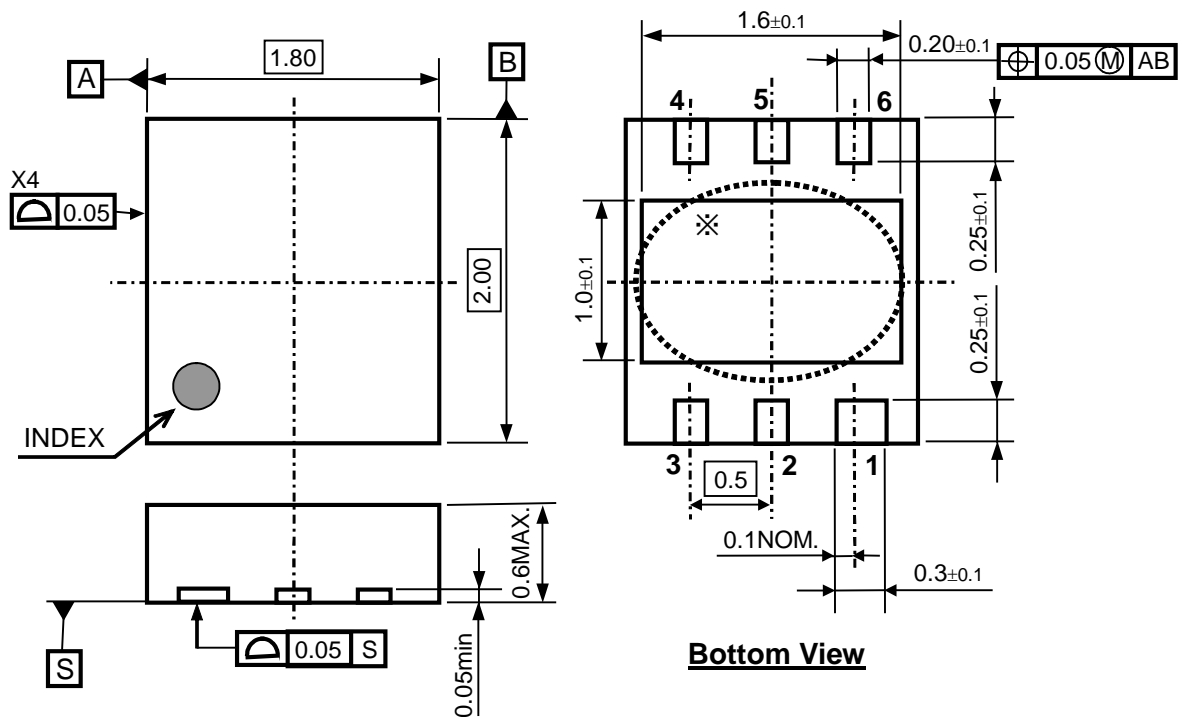
**Power Dissipation vs. Ambient Temperature**



**Measurement Board Pattern**

The above graph shows the power dissipation of the package at Tjmax = 125°C and Tjmax = 150°C. Operating the device in the hatched range might have a negative influence on its lifetime. The total hours of use and the total years of use must be limited as follows:

<b>Total Hours of Use</b>	<b>Total Years of Use (4 hours/day)</b>
13,000 hours	9 years



DFN(PL)1820-6 Package Dimensions (Unit: mm)

\* The tab on the bottom of the package is substrate level (GND). It is recommended that the tab be connected to the ground plane on the board, or otherwise be left floating.

The power dissipation of the package is dependent on PCB material, layout, and environmental conditions. The following measurement conditions are based on JEDEC STD. 51-7.

**Measurement Conditions**

Item	Measurement Conditions
Environment	Mounting on Board (Wind Velocity = 0 m/s)
Board Material	Glass Cloth Epoxy Plastic (Four-Layer Board)
Board Dimensions	76.2 mm × 114.3 mm × 0.8 mm
Copper Ratio	Outer Layer (First Layer): Less than 95% of 50 mm Square Inner Layers (Second and Third Layers): Approx. 100% of 50 mm Square Outer Layer (Fourth Layer): Approx. 100% of 50 mm Square
Through-holes	φ 0.3 mm × 13 pcs

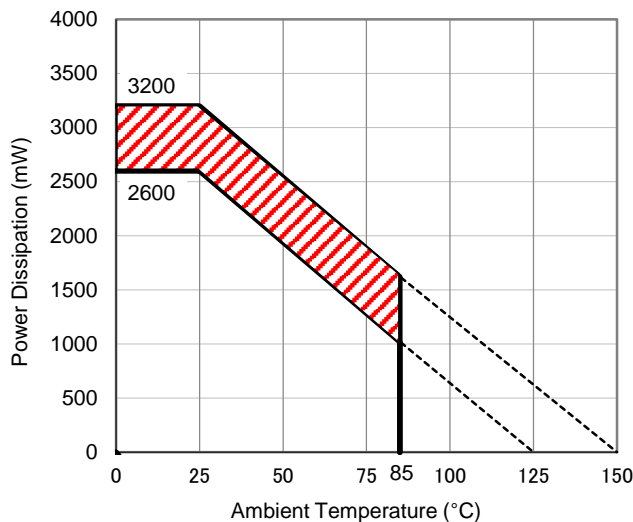
**Measurement Result**

(Ta = 25°C, Tjmax = 125°C)

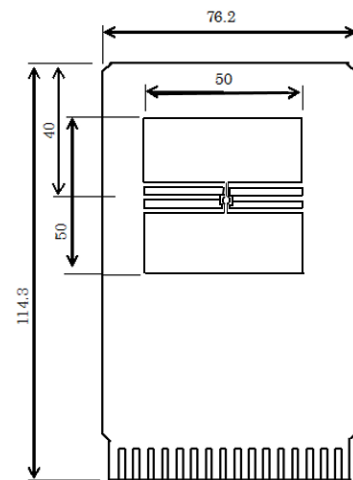
Item	Measurement Result
Power Dissipation	2600 mW
Thermal Resistance (θja)	θja = 38°C/W
Thermal Characterization Parameter (ψjt)	ψjt = 13°C/W

θja: Junction-to-Ambient Thermal Resistance

ψjt: Junction-to-Top Thermal Characterization Parameter



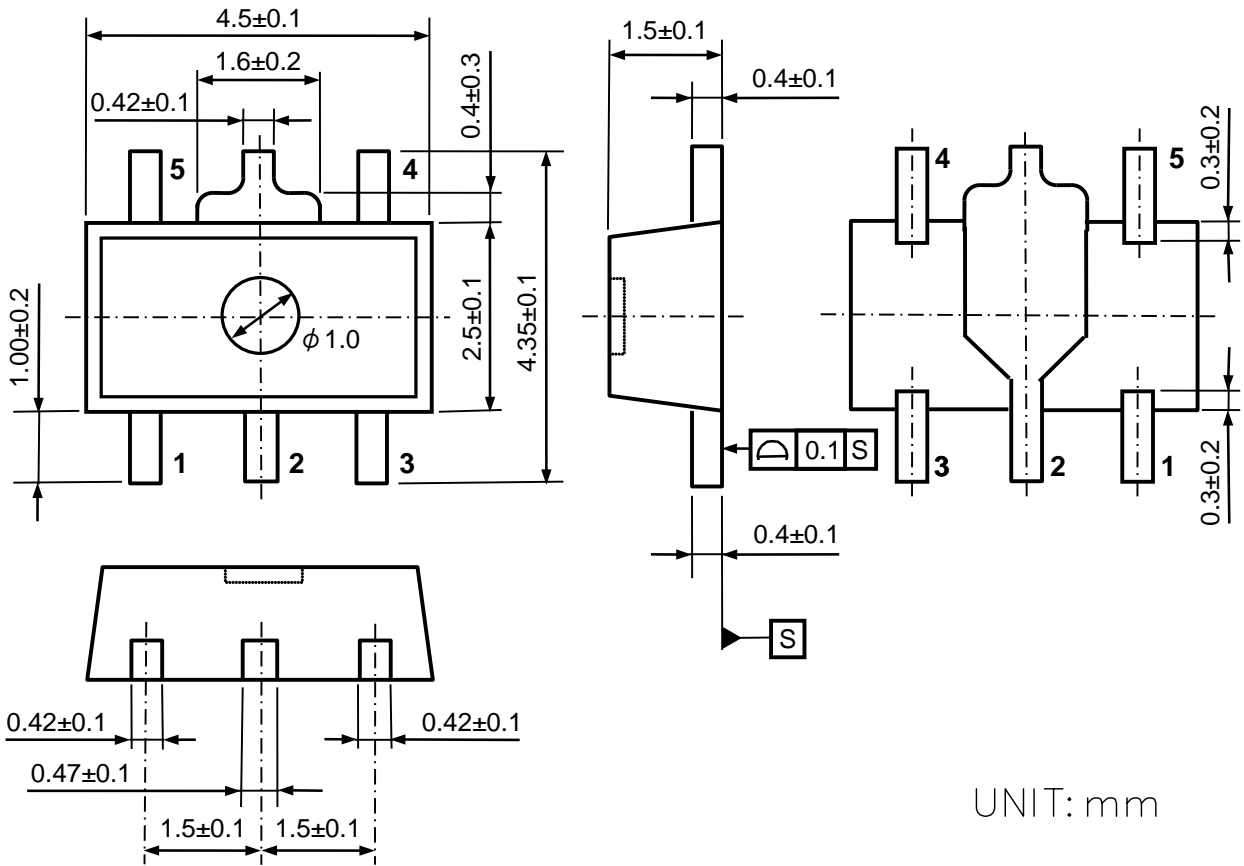
**Power Dissipation vs. Ambient Temperature**



**Measurement Board Pattern**

The above graph shows the power dissipation of the package at Tjmax = 125°C and Tjmax = 150°C. Operating the device in the hatched range might have a negative influence on its lifetime. The total hours of use and the total years of use must be limited as follows:

Total Hours of Use	Total Years of Use (4 hours/day)
13,000 hours	9 years



SOT-89-5 Package Dimensions

The power dissipation of the package is dependent on PCB material, layout, and environmental conditions. The following measurement conditions are based on JEDEC STD. 51-7.

**Measurement Conditions**

Item	Measurement Conditions
Environment	Mounting on Board (Wind Velocity = 0 m/s)
Board Material	Glass Cloth Epoxy Plastic (Four-Layer Board)
Board Dimensions	76.2 mm × 114.3 mm × 0.8 mm
Copper Ratio	Outer Layer (First Layer): Less than 95% of 50 mm Square Inner Layers (Second and Third Layers): Approx. 100% of 50 mm Square Outer Layer (Fourth Layer): Approx. 100% of 50 mm Square
Through-holes	φ 0.3 mm × 28 pcs

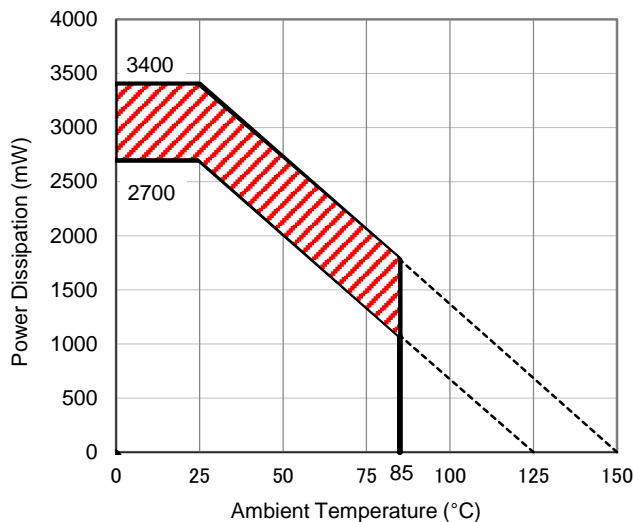
**Measurement Result**

(Ta = 25°C, Tjmax = 125°C)

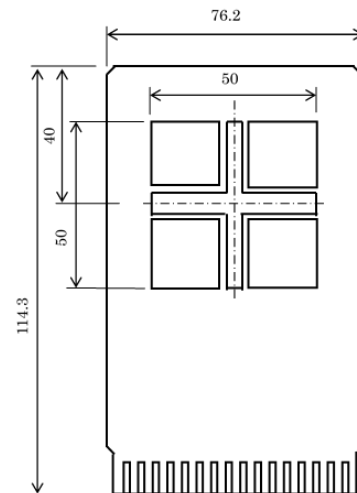
Item	Measurement Result
Power Dissipation	2700 mW
Thermal Resistance (θja)	θja = 37°C/W
Thermal Characterization Parameter (ψjt)	ψjt = 7°C/W

θja: Junction-to-Ambient Thermal Resistance

ψjt: Junction-to-Top Thermal Characterization Parameter



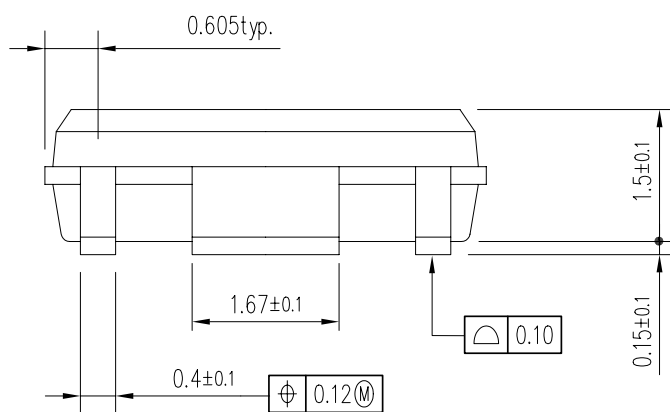
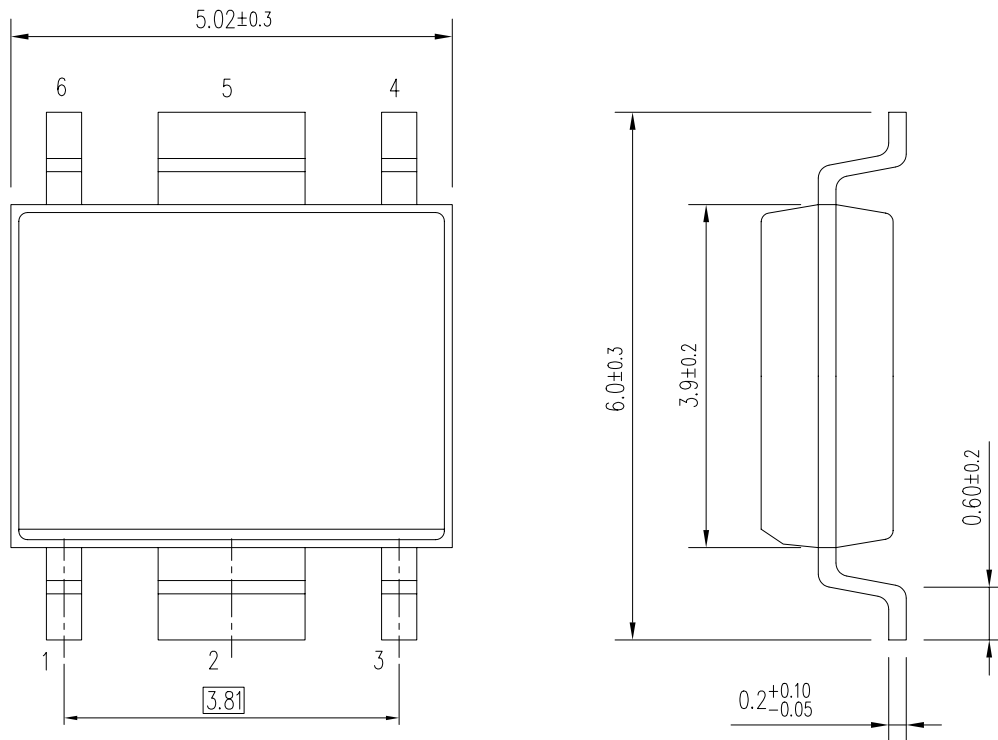
**Power Dissipation vs. Ambient Temperature**



**Measurement Board Pattern**

The above graph shows the power dissipation of the package at Tjmax = 125°C and Tjmax = 150°C. Operating the device in the hatched range might have a negative influence on its lifetime. The total hours of use and the total years of use must be limited as follows:

Total Hours of Use	Total Years of Use (4 hours/day)
13,000 hours	9 years



UNIT: mm

**HSOP-6J Package Dimensions**



The power dissipation of the package is dependent on PCB material, layout, and environmental conditions. The following measurement conditions are based on JEDEC STD. 51-7.

**Measurement Conditions**

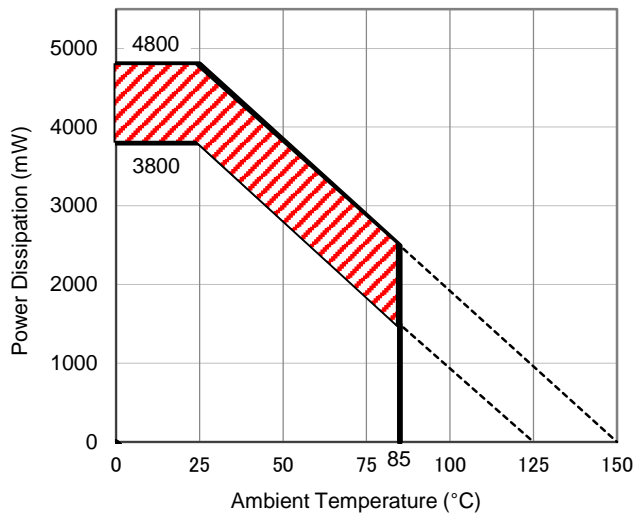
Item	Measurement Conditions
Environment	Mounting on Board (Wind Velocity = 0 m/s)
Board Material	Glass Cloth Epoxy Plastic (Four-Layer Board)
Board Dimensions	76.2 mm × 114.3 mm × 0.8 mm
Copper Ratio	Outer Layer (First Layer): Less than 95% of 50 mm Square Inner Layers (Second and Third Layers): Approx. 100% of 50 mm Square Outer Layer (Fourth Layer): Approx. 100% of 50 mm Square
Through-holes	φ 0.3 mm × 21 pcs

**Measurement Result**

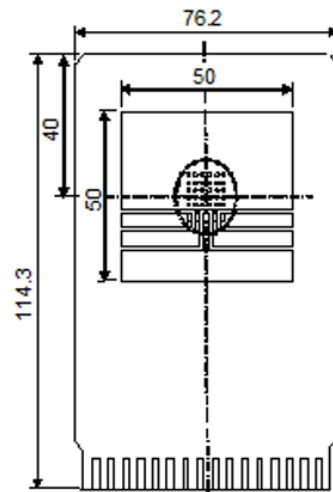
(Ta = 25°C, Tjmax = 125°C)

Item	Measurement Result
Power Dissipation	3800 mW
Thermal Resistance (θja)	θja = 26°C/W
Thermal Characterization Parameter (ψjt)	ψjt = 7°C/W

θja: Junction-to-Ambient Thermal Resistance  
ψjt: Junction-to-Top Thermal Characterization Parameter



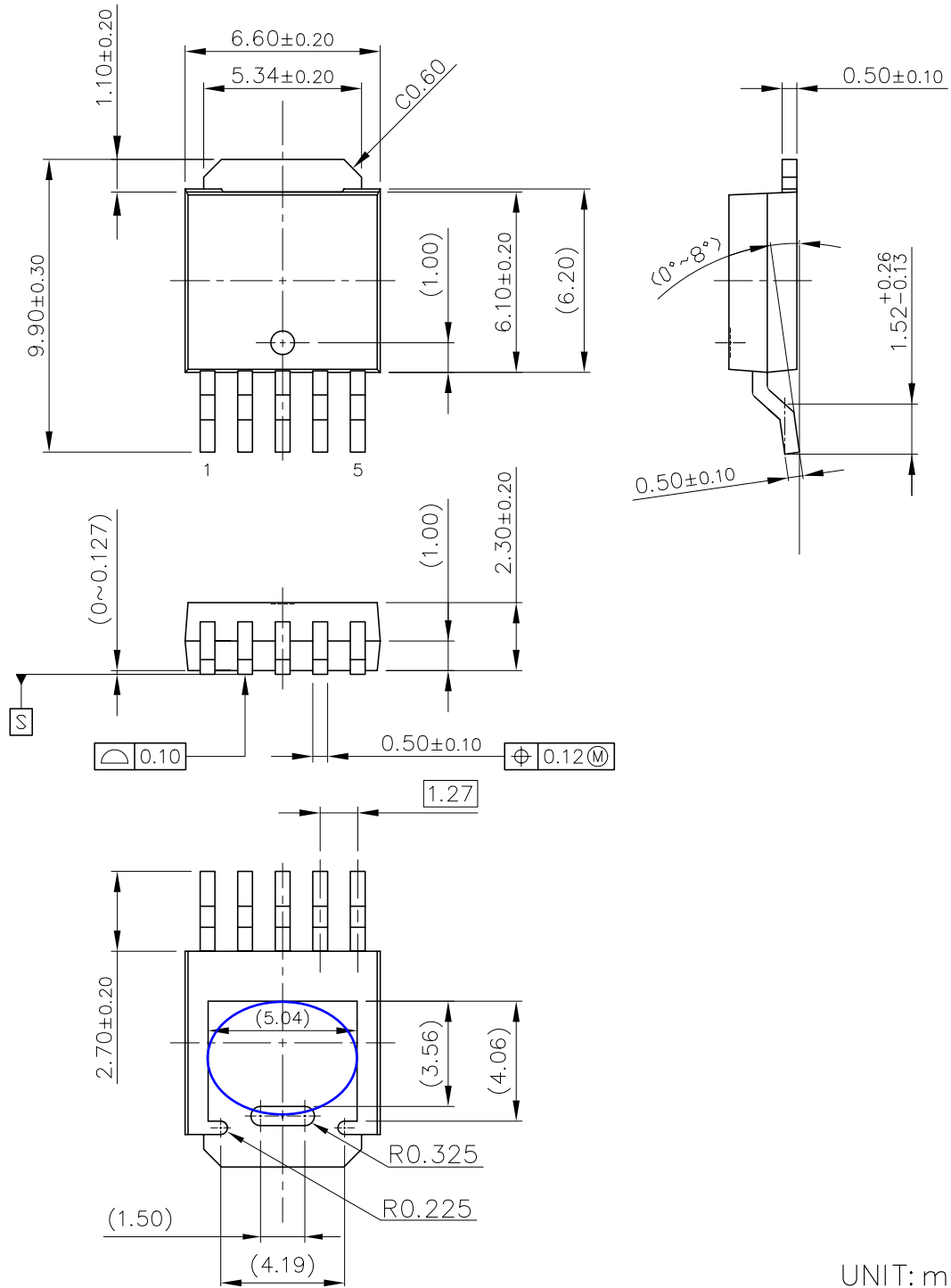
**Power Dissipation vs. Ambient Temperature**



**Measurement Board Pattern**

The above graph shows the power dissipation of the package at Tjmax = 125°C and Tjmax = 150°C. Operating the device in the hatched range might have a negative influence on its lifetime. The total hours of use and the total years of use must be limited as follows:

Total Hours of Use	Total Years of Use (4 hours/day)
13,000 hours	9 years



UNIT: mm

TO-252-5-P2 Package Dimensions

\* The tab on the bottom of the package shown by blue circle is a substrate potential (GND). It is recommended that this tab be connected to the ground plane on the board but it is possible to leave the tab floating.

1. The products and the product specifications described in this document are subject to change or discontinuation of production without notice for reasons such as improvement. Therefore, before deciding to use the products, please refer to our sales representatives for the latest information thereon.
2. The materials in this document may not be copied or otherwise reproduced in whole or in part without the prior written consent of us.
3. This product and any technical information relating thereto are subject to complementary export controls (so-called KNOW controls) under the Foreign Exchange and Foreign Trade Law, and related politics ministerial ordinance of the law. (Note that the complementary export controls are inapplicable to any application-specific products, except rockets and pilotless aircraft, that are insusceptible to design or program changes.) Accordingly, when exporting or carrying abroad this product, follow the Foreign Exchange and Foreign Trade Control Law and its related regulations with respect to the complementary export controls.
4. The technical information described in this document shows typical characteristics and example application circuits for the products. The release of such information is not to be construed as a warranty of or a grant of license under our or any third party's intellectual property rights or any other rights.
5. The products listed in this document are intended and designed for use as general electronic components in standard applications (office equipment, telecommunication equipment, measuring instruments, consumer electronic products, amusement equipment etc.). Those customers intending to use a product in an application requiring extreme quality and reliability, for example, in a highly specific application where the failure or misoperation of the product could result in human injury or death should first contact us.
  - Aerospace Equipment
  - Equipment Used in the Deep Sea
  - Power Generator Control Equipment (nuclear, steam, hydraulic, etc.)
  - Life Maintenance Medical Equipment
  - Fire Alarms / Intruder Detectors
  - Vehicle Control Equipment (automotive, airplane, railroad, ship, etc.)
  - Various Safety Devices
  - Traffic control system
  - Combustion equipment

In case your company desires to use this product for any applications other than general electronic equipment mentioned above, make sure to contact our company in advance. Note that the important requirements mentioned in this section are not applicable to cases where operation requirements such as application conditions are confirmed by our company in writing after consultation with your company.

6. We are making our continuous effort to improve the quality and reliability of our products, but semiconductor products are likely to fail with certain probability. In order to prevent any injury to persons or damages to property resulting from such failure, customers should be careful enough to incorporate safety measures in their design, such as redundancy feature, fire containment feature and fail-safe feature. We do not assume any liability or responsibility for any loss or damage arising from misuse or inappropriate use of the products.
7. The products have been designed and tested to function within controlled environmental conditions. Do not use products under conditions that deviate from methods or applications specified in this datasheet. Failure to employ the products in the proper applications can lead to deterioration, destruction or failure of the products. We shall not be responsible for any bodily injury, fires or accident, property damage or any consequential damages resulting from misuse or misapplication of the products.
8. **Quality Warranty**
  - 8-1. **Quality Warranty Period**

In the case of a product purchased through an authorized distributor or directly from us, the warranty period for this product shall be one (1) year after delivery to your company. For defective products that occurred during this period, we will take the quality warranty measures described in section 8-2. However, if there is an agreement on the warranty period in the basic transaction agreement, quality assurance agreement, delivery specifications, etc., it shall be followed.
  - 8-2. **Quality Warranty Remedies**

When it has been proved defective due to manufacturing factors as a result of defect analysis by us, we will either deliver a substitute for the defective product or refund the purchase price of the defective product.

Note that such delivery or refund is sole and exclusive remedies to your company for the defective product.
  - 8-3. **Remedies after Quality Warranty Period**

With respect to any defect of this product found after the quality warranty period, the defect will be analyzed by us. On the basis of the defect analysis results, the scope and amounts of damage shall be determined by mutual agreement of both parties. Then we will deal with upper limit in Section 8-2. This provision is not intended to limit any legal rights of your company.
9. Anti-radiation design is not implemented in the products described in this document.
10. The X-ray exposure can influence functions and characteristics of the products. Confirm the product functions and characteristics in the evaluation stage.
11. WLCSP products should be used in light shielded environments. The light exposure can influence functions and characteristics of the products under operation or storage.
12. Warning for handling Gallium and Arsenic (GaAs) products (Applying to GaAs MMIC, Photo Reflector). These products use Gallium (Ga) and Arsenic (As) which are specified as poisonous chemicals by law. For the prevention of a hazard, do not burn, destroy, or process chemically to make them as gas or power. When the product is disposed of, please follow the related regulation and do not mix this with general industrial waste or household waste.
13. Please contact our sales representatives should you have any questions or comments concerning the products or the technical information.



**Nisshinbo Micro Devices Inc.**

**Official website**

<https://www.nisshinbo-microdevices.co.jp/en/>

**Purchase information**

<https://www.nisshinbo-microdevices.co.jp/en/buy/>

# Mouser Electronics

Authorized Distributor

Click to View Pricing, Inventory, Delivery & Lifecycle Information:

## Nisshinbo Micro Devices:

[RP132H001B-T1-FE](#) [RP132H121D-T1-FE](#) [RP132H151B-T1-FE](#) [RP132H181D-T1-FE](#) [RP132H251B-T1-FE](#)  
[RP132H331D-T1-FE](#) [RP132H501B-T1-FE](#) [RP132H501D-T1-FE](#) [RP132J001B-T1-FE](#) [RP132J001D-T1-FE](#)  
[RP132J191D-T1-FE](#) [RP132J341D-T1-FE](#) [RP132J501B-T1-FE](#) [RP132K001B-TR](#) [RP132K001D-TR](#) [RP132K001F-TR](#)  
[RP132K121D-TR](#) [RP132K181B-TR](#) [RP132K181D-TR](#) [RP132K331B-TR](#) [RP132K331F-TR](#) [RP132K501F-TR](#)  
[RP132S001D-E2-FE](#) [RP132S121B-E2-FE](#) [RP132S121D-E2-FE](#) [RP132S151D-E2-FE](#) [RP132S181B-E2-FE](#)  
[RP132S181D-E2-FE](#) [RP132S241B-E2-FE](#) [RP132S251B-E2-FE](#) [RP132S251D-E2-FE](#) [RP132S301B-E2-FE](#)  
[RP132S321B-E2-FE](#) [RP132S331B-E2-FE](#) [RP132S331D-E2-FE](#) [RP132S501D-E2-FE](#) [RP132J331D-T1-FE](#)  
[RP132J551D-T1-FE](#) [RP132S001B-E2-FE](#) [RP132S101B-E2-FE](#) [RP132S121F-E2-FE](#) [RP132S151B-E2-FE](#)  
[RP132S151F-E2-FE](#) [RP132S181F-E2-FE](#) [RP132S331E-E2-FE](#) [RP132S331F-E2-FE](#) [RP132S501B-E2-FE](#)  
[RP132H001D-T1-FE](#) [RP132H101B-T1-FE](#) [RP132H121B-T1-FE](#) [RP132H151D-T1-FE](#) [RP132H181B-T1-FE](#)  
[RP132H251D-T1-FE](#) [RP132H331B-T1-FE](#) [RP132K001E-TR](#) [RP132K121B-TR](#) [RP132K151B-TR](#) [RP132K151F-TR](#)  
[RP132K181E-TR](#) [RP132K181F-TR](#) [RP132K251B-TR](#) [RP132K251D-TR](#) [RP132K331D-TR](#) [RP132K331E-TR](#)  
[RP132K501B-TR](#) [RP132K501E-TR](#) [RP132H121B5-T1-FE](#) [RP132H361D-T1-FE](#) [RP132J121D-T1-FE](#) [RP132J151B-](#)  
[T1-FE](#) [RP132J181B-T1-FE](#) [RP132J251B-T1-FE](#) [RP132K101B-TR](#) [RP132K111D-TR](#) [RP132K121B5-TR](#)  
[RP132K121E-TR](#) [RP132K121F-TR](#) [RP132K191D-TR](#) [RP132K311F-TR](#) [RP132K401B-TR](#) [RP132K401D-TR](#)  
[RP132K501D-TR](#) [RP132K511D-TR](#) [RP132K531B-TR](#) [RP132S121B5-E2-FE](#) [RP132S121E-E2-FE](#) [RP132S181E-E2-](#)  
[FE](#) [RP132S251E-E2-FE](#) [RP132S501E-E2-FE](#) [RP132S501F-E2-FE](#) [RP132K431B-TR](#) [RP132S111D5-E2-FE](#)  
[RP132S341D-E2-FE](#)