

NOTES:

1. MATERIALS AND FINISHES:
 BODY, BODY REAR, SPANNER NUT &
 LOCK WASHER - BRASS, NICKEL PLATING
 CONTACT - BeCu, GOLD PLATING
 INSULATOR, BEAD INSULATOR - PTFE, NATURAL
 BULLET CONTACT - BRASS, GOLD PLATING
 FERRULE - COPPER, NICKEL PLATING
 O-RINGS - SILICONE RUBBER, RED
 HEAT SHRINK TUBE - POLYOLEFIN, BLACK
2. ELECTRICAL:
 A. IMPEDANCE: 75 OHM
3. MECHANICAL:
 A. DURABILITY: 500 CYCLES MIN.
 B. TEMPERATURE RANGE: -65°C TO +165°C
4. ENVIRONMENTAL:
 A. THERMAL SHOCK PER MIL-STD-202 METHOD 107
 TEST CONDITION B (EXCEPT HIGH TEMP @200°C).
 B. VIBRATION: MIL-STD-202 METHOD 204 TEST CONDITION B.
 C. SHOCK: MIL-STD-202 METHOD 213 TEST CONDITION B.
 D. CORROSION: MIL-STD-202 METHOD 101
 TEST CONDITION B 5% SALT SOLUTION.
 E. HD-BNC CONNECTOR MEETS IP 67 SEALING REQUIREMENTS.

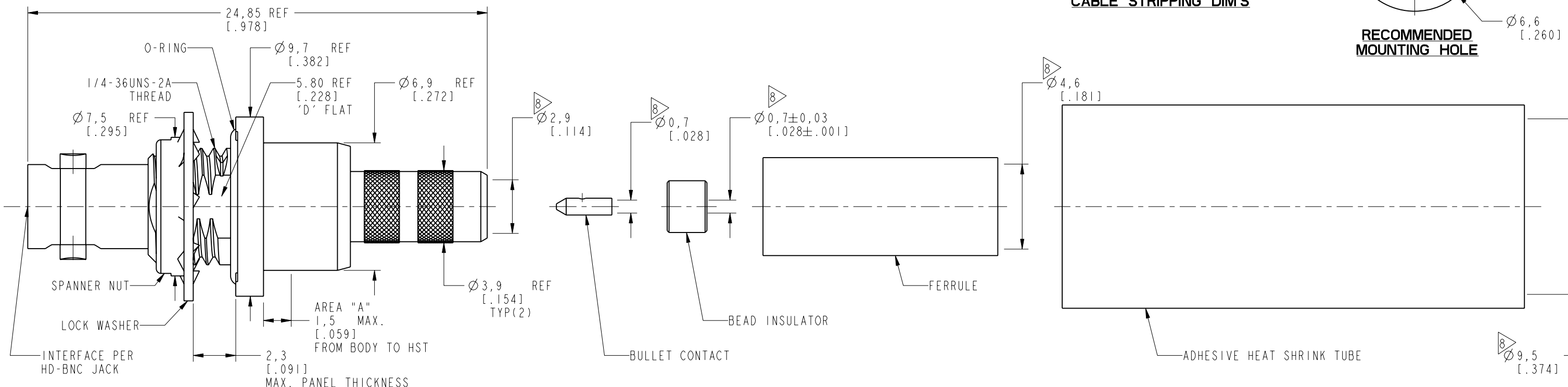
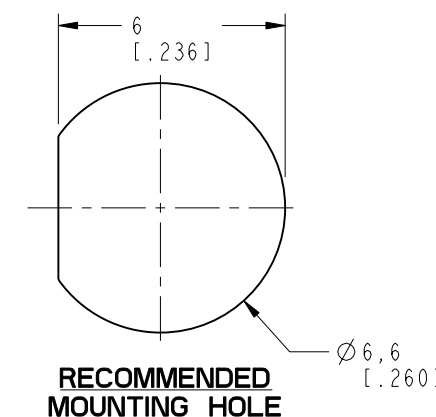
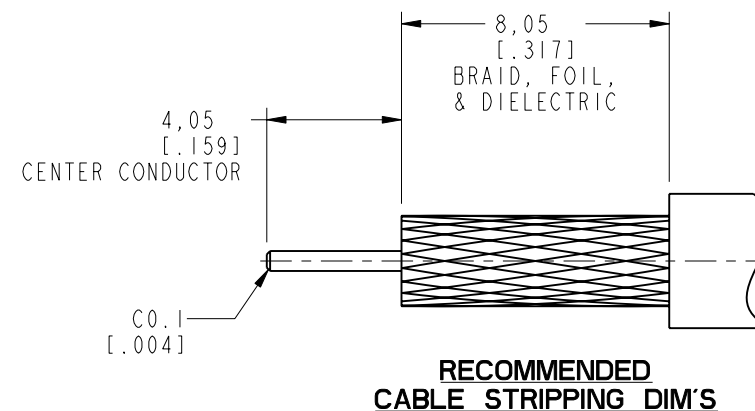
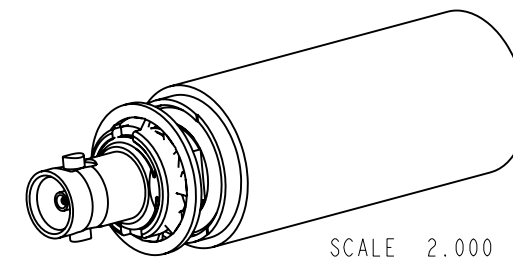
5. PACKAGING:
 A. QUANTITY: SINGLE PACK
 B. MARKING: BAG TO BE MARKED:
 "AMPHENOL RF, 34-1123-12G & DATE CODE"
6. AMPHENOL SPANNER WRENCH 227-1490 REQUIRED TO MOUNT
 CONNECTOR TO PANEL.
7. CABLE ASSEMBLY INSTRUCTIONS:
 A. TRIM CABLE AS SHOWN.
 B. SLIDE HST & FERRULE OVER ONTO CABLE.
 C. SLIDE BEAD INSULATOR OVER CABLE CENTER CONDUCTOR
 UNTIL IT BOTTOMS AGAINST CABLE DIELECTRIC.
 D. SOLDER BULLET CONTACT TO CABLE CENTER CONDUCTOR.
 E. INSERT CABLE INTO CONNECTOR UNTIL IT BOTTOMS.
 F. CRIMP FERRULE WITH .178" HEX.
 G. HEAT SHRINK TUBING SHOULD FULLY (360 DEG) COVER
 THE BUMP ON THE BODY AND END WITHIN AREA "A"

 SHOWS CABLE ENTRY DIMENSIONS.

THIRD ANGLE PROJ. 

REVISIONS

REV	DESCRIPTION	DATE	ECO	APPR
A	RELEASE TO MFG.	28-May-18	08166	SS



CUSTOMER OUTLINE DRAWING

ALL OTHER SHEETS ARE FOR INTERNAL USE ONLY

UNLESS OTHERWISE SPECIFIED, DIMENSIONS ARE IN METRIC AND TOLERANCES ARE: <0.5mm ±0.05mm 0.5 - 6mm ±0.1mm 6 - 30mm ±0.2mm 30 - 120mm ±0.3mm ANGLES ±1°	MATERIAL	DRAWN M. ZHANG	DATE 28-May-18	TITLE HD-BNC STR BHD JACK IP 67 (FOR BELDEN 4855R CABLE)	Amphenol RF www.amphenolrf.com
	REFERENCE EAR # 8130 AND --	ENGINEER MADHAN G	DATE 10-Jan-18		
NOTICE - These drawings, specifications, or other data (1) are, and remain the property of Amphenol corp. (2) must be returned upon request; and (3) are confidential and not to be disclosed to any person other than those to whom they are given by Amphenol Corp. the furnishing of these drawings, specifications, or other data by Amphenol Corp., or to any other person to anyone for any purpose is not to be regarded by implication or otherwise in any manner licensing, granting rights to permitting such holder or any other person to manufacture, use or sell any product, process or design, patented or otherwise, that may in any way be related to or disclosed by said drawings, specifications, or other data.	CONFIGURATION LEVEL: In Work	APPROVED S. HSIEH	DATE 30-May-18	SCALE: 4.7:1.0 SHEET 2 OF 2	ITEM NO. 34-1123-12G
	FINISH	CAD FILE	DWG SIZE B	REV A	PART NO. 34-1123-12G

Mouser Electronics

Authorized Distributor

Click to View Pricing, Inventory, Delivery & Lifecycle Information:

[Amphenol:](#)

[034-1123-12G](#)