

NOTES:

1. MATERIALS AND FINISHES:

BODY, BODY REAR, HEX NUT, & LOCK WASHER - BRASS, NICKEL PLATING
 INSULATOR - PEEK, NATURAL
 CONTACT - BeCu, GOLD PLATING
 BULLET CONTACT - BRASS, GOLD PLATING
 FERRULE - COPPER, NICKEL PLATING
 O-RING & GASKET - SILICONE RUBBER, RED

2. ELECTRICAL:

A. IMPEDANCE: 50 OHM
 B. FREQUENCY RANGE: DC - 6 GHz
 C. VSWR(RETURN LOSS): 1.30 MAX. @ DC - 6 GHz
 D. DIELECTRIC WITHSTANDING VOLTAGE: 1000 VRMS, MIN.

3. MECHANICAL:

A. DURABILITY: 500 CYCLES MIN.
 B. TEMPERATURE RANGE: -65°C TO +165°C

4. PACKAGING:

A. QUANTITY: SINGLE PACK
 B. MARKING: BAG TO BE MARKED "AMPHENOL RF, 31-6929, AND DATE CODE"

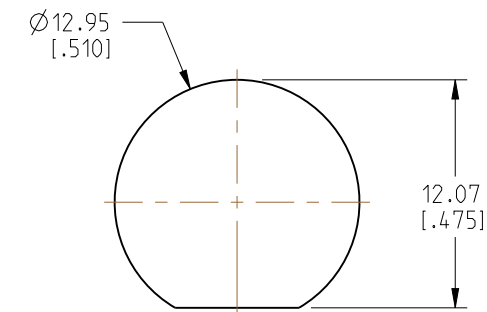
5. SEALING: TNC STR BHD JACK MEETS IP 67 SEALING REQUIREMENTS IN UNMATED CONDITION.

6. CABLE ASSEMBLY INSTRUCTIONS:

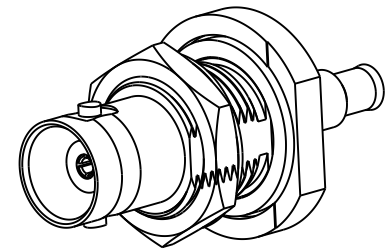
A. TRIM CABLE AS SHOWN
 B. SLIDE FERRULE ONTO CABLE
 C. SOLDER BULLET CONTACT TO CABLE CENTER CONDUCTOR.
 D. INSERT CABLE WITH FOIL ENTERING CONNECTOR AND BRAID OVER KNURL.
 E. CRIMP FERRULE OVER BRAID WITH 0.128" HEX DIE.

7 SHOWS CABLE ENTRY DIMENSIONS.

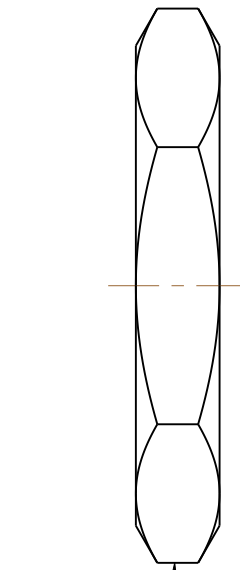
| REVISIONS | | | | |
|-----------|-----------------|-----------|-------|------|
| REV | DESCRIPTION | DATE | ECN | APPR |
| A | RELEASE TO MFG. | 03-SEP-20 | 15326 | SV |



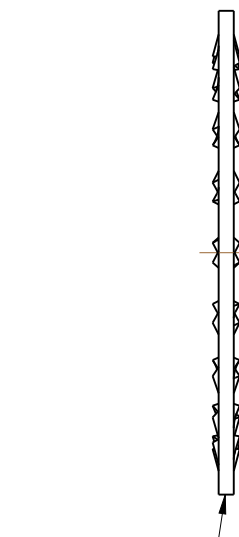
RECOMMENDED MOUNTING HOLE DIMENSIONS



SCALE 1.500

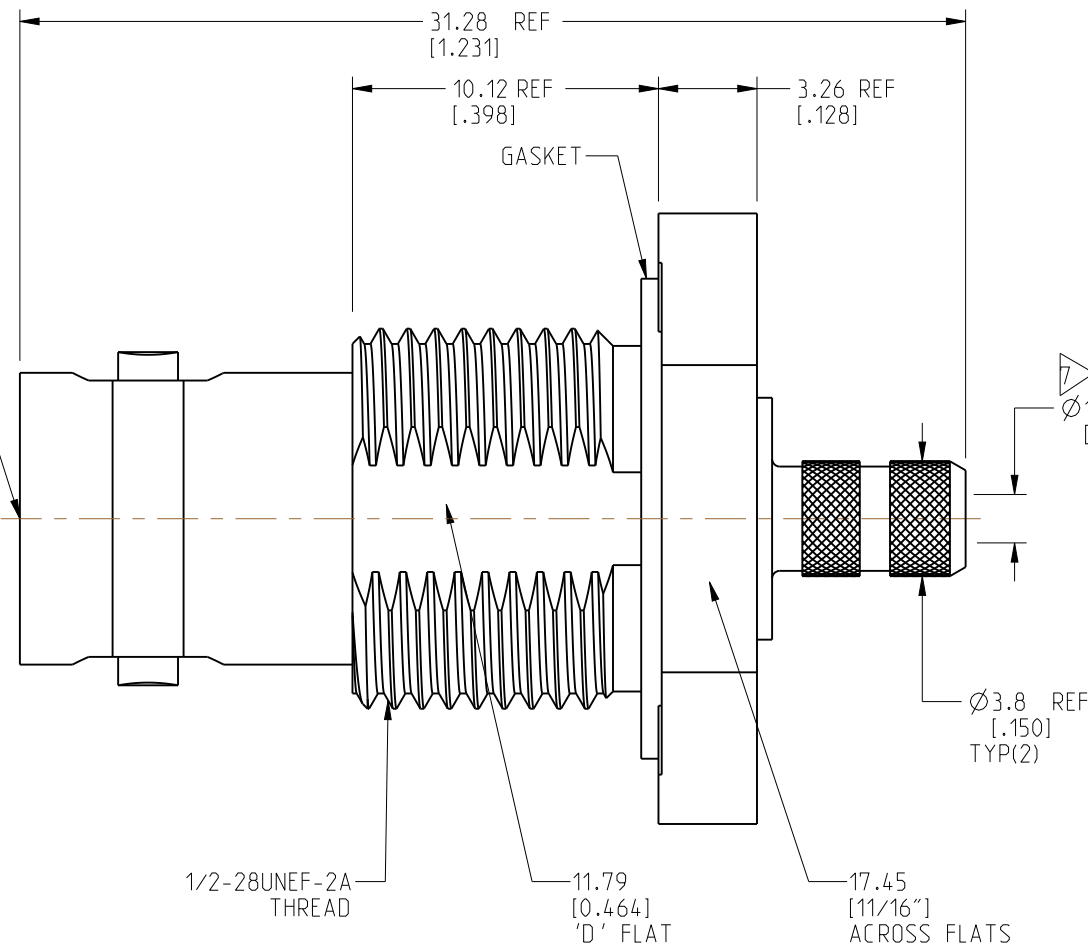


15.88 HEX [5/8"]



LOCK WASHER

INTERFACE PER MIL-STD-348 SERIES: BNC JACK

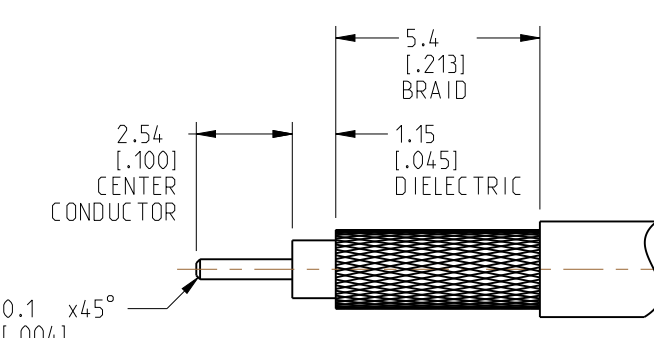
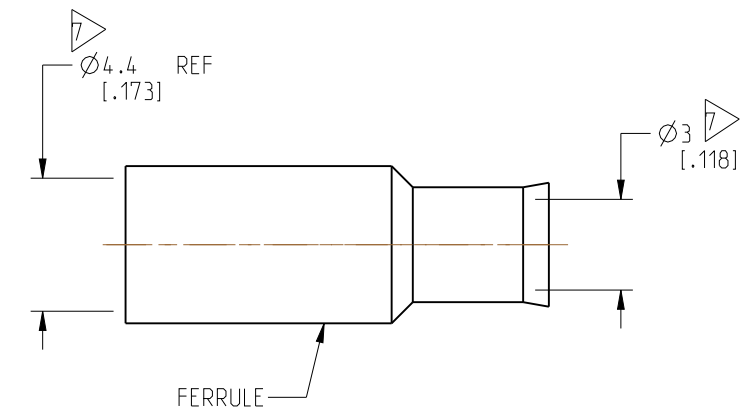


Ø1.6 [0.063]

Ø0.61 [0.024]

Ø3.8 REF [0.150] TYP(2)

BULLET CONTACT



0.1 x45° [0.004]

RECOMMENDED CABLE STRIPPING DIMENSIONS

CUSTOMER OUTLINE DRAWING

ALL OTHER SHEETS ARE FOR INTERNAL USE ONLY

| | | | | | | | | | |
|---|--|---|--|-------------------------|--|-----------------------|--|--|--|
| <p>NOTICE: These drawings, specifications, or other data (1) are, and remain the property of Amphenol corp. (2) must be returned upon request; and (3) are confidential and not to be disclosed to any person other than those to whom they are given by Amphenol Corp. The furnishing of these drawings, specifications, or other data by Amphenol Corp., or to any other person to anyone for any purpose is not to be regarded by implication or otherwise in any manner licensing, granting rights to permitting such holder or any other person to manufacture, use or sell any product, process or design, patented or otherwise, that may in any way be related to or disclosed by said drawings, specifications, or other data.</p> | | <p>UNLESS OTHERWISE SPECIFIED DIMENSIONS ARE METRIC (INCHES) AND TOLERANCES ARE: <0.5mm = ±0.05mm [± 0.002] >0.5 - 6mm = ±0.1mm [$\pm 0.020 - 0.236 = \pm 0.004$] >6.00 - 30mm = ±0.2mm [$\pm 0.236 - 1.181 = \pm 0.008$] >30.00 - 120mm = ±0.3mm [$\pm 1.181 - 4.725 = \pm 0.012$]</p> | | <p>MATERIAL</p> | | <p>TITLE</p> | | <p>Amphenol RF</p> | |
| <p>THIRD ANGLE PROJ. </p> | | <p>REFERENCE 31-6791</p> | | <p>ENGINEER S.VO</p> | | <p>DATE 01-SEP-20</p> | | <p>BNC BHD JACK IP67 SEALED FOR RG-174/U, RG-188/U, & RG-316 CABLE</p> | |
| <p>ANGLES = ±1°</p> | | <p>SCALE: 4.0:1.0</p> | | <p>SHEET NO. 2 OF 2</p> | | <p>SIZE B</p> | | <p>DRAWING NO. 31-6929 ITEM NO. 31-6929 PART NO. 31-6929</p> | |
| <p>REV A</p> | | <p>REV A</p> | | <p>REV A</p> | | <p>REV A</p> | | <p>REV A</p> | |

Mouser Electronics

Authorized Distributor

Click to View Pricing, Inventory, Delivery & Lifecycle Information:

[Amphenol:](#)

[031-6929](#)