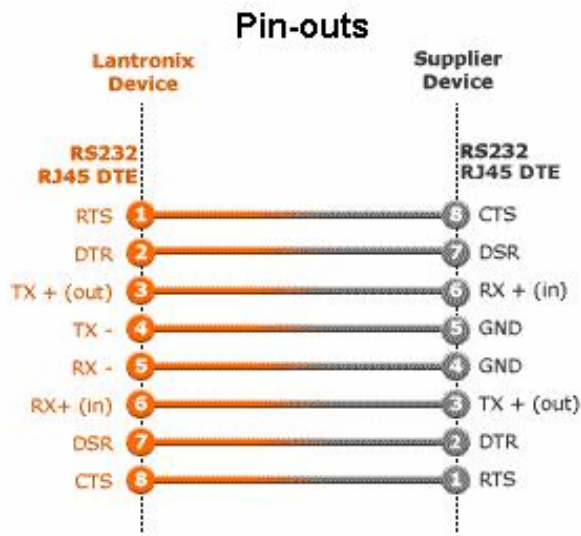
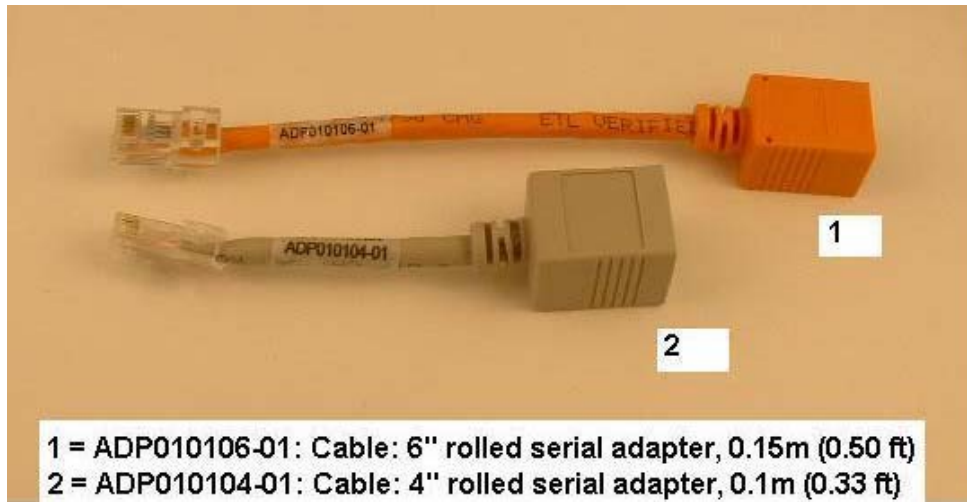


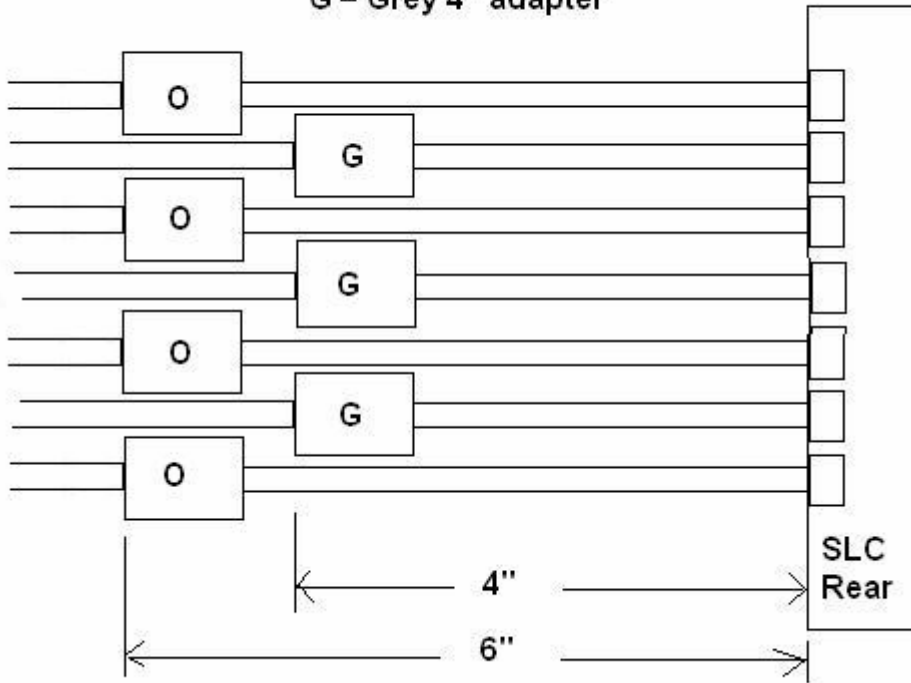
## ADP010106-01 and ADP010104-01 – Rolled Serial Adapters



The ADP adapters are both used for rolling the pins of Sun/Cisco pinned equipment (i.e., like SLC) to be able to use a standard Cat5/6 cable. Typical use for the two adapter lengths in parallel would be when the ADP adapter needs to be placed at the device port end of a high port density console server (i.e., 32 or 48 port SLC). This will allow for more tolerance between cables/adapters without crowding (see illustration and installation example below).

ADP010104-01 and ADP010106-01 pinout

O = Orange 6" adapter  
G = Grey 4" adapter



# Mouser Electronics

Authorized Distributor

Click to View Pricing, Inventory, Delivery & Lifecycle Information:

[Lantronix:](#)

[ADP010104-01](#) [ADP010106-01](#)