



Online Data Sheet

Encoder WdGI 58B

www.wachendorff-automation.com/wdgi58b

Wachendorff Automation

... systems and encoders

- Complete systems
- Industrial rugged encoders to suit your application
- Standard range and customer versions
- Maximum permissible loads
- 48-hour express production
- Made in Germany
- Worldwide distributor network

Encoder WDGI 58B



- Rugged industrial standard encoder
- Housing cap die cast aluminum, with particularly eco-friendly powder coating
- Up to 25000 PPR by use of high grad electronics
- Protection to IP67, shaft sealed to IP65
- Maximum mechanical and electrical safety
- Full connection protection with 10 VDC up to 30 VDC
- High output frequency 600 kHz/2 MHz
- Optional:
 - 40 °C up to +85 °C,
 - Protection to IP67 all around,
 - Pressure equalising membrane

www.wachendorff-automation.com/wdgi58b

Resolution

Max. pulses per revolution PPR	up to 25000 PPR
--------------------------------	-----------------

Mechanical Data

Housing

Flange	clamping flange
Flange material	aluminum
Housing cap	die cast aluminum, powder coated
Housing	Ø 58 mm
Cam mounting	pitch 69 mm

Shaft(s)

Shaft material	stainless steel
Starting torque	approx. 1 Ncm at ambient temperature
Shaft	Ø 10 mm
Shaft length	L: 20 mm
Max. Permissible shaft loading radial	220 N
Max. Permissible shaft loading axial	120 N

Bearings

Bearings type	2 precision ball bearings
Nominal service life	1 x 10 ⁹ revs. at 100 % rated shaft load 1 x 10 ¹⁰ revs. at 40 % rated shaft load 1 x 10 ¹¹ revs. at 20 % rated shaft load
Max. operating speed	8000 rpm

Machinery Directive: basic data safety integrity level

MTTF _d	200 a
Mission time (TM)	25 a
Nominal service life (L10h)	1 x 10 ¹¹ revs. at 20 % rated shaft load and 8000 rpm
Diagnostic coverage (DC)	0 %

Electrical Data

Power supply VDC	10 - 30 VDC
Current consumption	typ. 70 mA
Signal shape	square-wave
Output circuit	HTL
Channels	AB, ABN
Output	push-pull
Load	max. 40 mA / channel
Signal level mA	at 20 mA

Signal level H>	H > V _{cc} - 2.5 VDC
Signal level L<	L < 2.5 VDC
Output frequency	max. 200 kHz
Circuit protection	yes
Light reserve warning	yes

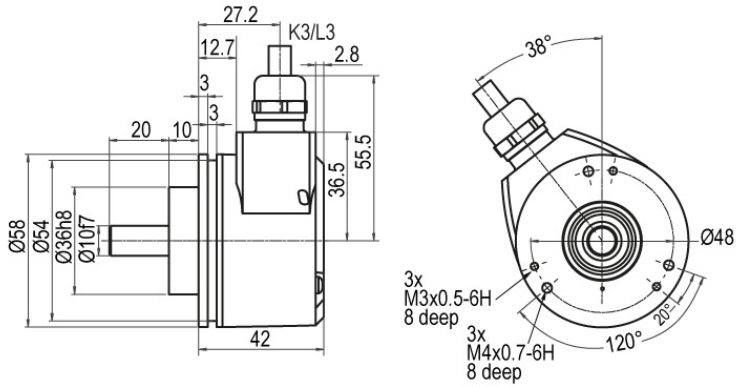
General Data

Weight	approx. 250 g
Connections	cable or connector outlet
Protection rating (EN 60529)	Housing: IP65, IP67; shaft sealed: IP65
Operating temperature	Connector: -20 °C up to +85 °C, cable: -20 °C up to +80 °C, (Option ACA: -40 °C up to +85 °C) 1 Vpp: -10 °C up to +70 °C
Storage temperature	Connector: -30 °C up to +85 °C, cable: -30 °C up to +80 °C, option ACA: -40 °C up to +85 °C

More Information

General technical data and safety instructions
<http://www.wachendorff-automation.com/gtd>

Options
<http://www.wachendorff-automation.com/acc>

WDGI 58B: Cable connection K3, L3, radial, with 2 m cable

Description
ABN inv. poss.
K3 radial, shield not connected

•

Assignments	
	K3
Circuit	G24
GND	WH
(+) Vcc	BN
A	GN
B	YE
N	GY
Light reserve warning	PK
A inv.	-
B inv.	-
N inv.	-
Shield	flex

Example Order No.	Type					Your encoder
WDGI 58B	WDGI 58B					WDGI 58B
Shaft						
10	10					10
Pulses per revolution PPR:						
2	2, 10, 15, 20, 24, 25, 30, 36, 40, 48, 50, 60, 64, 72, 5, 87, 90, 100, 120, 125, 127, 128, 150, 160, 180, 200, 250, 256, 300, 314, 360, 400, 216, 236, 240, 254, 320, 512, 500, 571, 600, 625, 720, 750, 768, 800, 810, 900, 1000, 1024, 1200, 1250, 1270, 1440, 1500, 1800, 2000, 2048, 3000, 2400, 2500, 3600, 4000, 4096, 4685, 5000					
Channels:						
ABN	ABN					ABN
Output circuit						
G24	Resolution PPR	Power supply VDC	Output circuit	Light reserve warning	Order key	G24
	up to 5000	10 - 30	HTL	•	G24	
Electrical connections						
K3	Description			ABN inv. poss.	Order key	K3
	Cable: length (2 m standard, WDG 58T: 1 m) radial, shield not connected			•	K3	
Options						
Description			Order key			
Without option			Empty			

Example Order No.=	WDGI 58B	10	2	ABN	G24	K3		WDGI 58B	10		ABN	G24	K3		Your encoder
---------------------------	----------	----	---	-----	-----	----	--	----------	----	--	-----	-----	----	--	---------------------



For further information please contact our local distributor.
Here you find a list of our distributors worldwide.
http://www.wachendorff-automation.com/distributors_worldwide.html



Wachendorff Automation GmbH & Co. KG
Industriestrasse 7 • D-65366 Geisenheim

Phone: +49 67 22 / 99 65 25
Fax: +49 67 22 / 99 65 70
E-Mail: wdg@wachendorff.de
www.wachendorff-automation.de

