

## dsPIC33FJ256MC710 100-pin to 100-pin TQFP Plug-In Module (PIM) Information Sheet

### OVERVIEW

The dsPIC33FJ256MC710 PIM is designed to demonstrate the capabilities of the dsPIC33FJ256MC710 family of motor control devices using development boards such as the Explorer 16 Development Board, which support 100-pin PIM interfaces.

The dsPIC33FJ256MC710 is a high-performance 16-bit Digital Signal Controller in a 100-pin TQFP package.

Table 1 shows the mapping between the 100-pin PIM interface board functions and the device pins.

**TABLE 1: 100-PIN TO 100-PIN PIM**

Device Pin #	dsPIC33FJ256MC710 Functional Description	PIM Pin #
1	COFS/RG15	1
2	VDD	2
3	AN29/RE5	3
4	AN30/RE6	4
5	AN31/RE7	5
6	AN16/T2CK/T7CK/RC1	6
7	AN17/T3CK/T6CK/RC2	7
8	AN18/T4CK/T9CK/RC3	8
9	AN19/T5CK/T8CK/RC4	9
10	SCK2/CN8/RG6	10
11	SDI2/CN9/RG7	11
12	SDO2/CN10/RG8	12
13	MCLR	13
14	SS2/CN11/RG9	14
15	Vss	15
16	VDD	16
17	TMS/RA0	17
18	AN20/INT1/RA12	18
19	AN21/INT2/RA13	19
20	AN5/CN7/RB5	20
21	AN4/CN6/RB4	21
22	AN3/CN5/RB3	22
23	AN2/SS1/CN4/RB2	23
24	PGC3/EMUC3/AN1/CN3/RB1	24
25	PGD3/EMUD3/AN0/CN2/RB0	25
26	PGC1/EMUC1/AN6/OCFA/RB6	26
27	PGD1/EMUD1/AN7/RB7	27
28	VREF-/RA9	28
29	VREF+/RA10	29
30	AVDD	30
31	AVSS	31
32	AN8/RB8	32
33	AN9/RB9	33

Device Pin #	dsPIC33FJ256MC710 Functional Description	PIM Pin #
35	AN11/RB11	35
36	Vss	36
37	VDD	37
38	TCK/RA1	38
39	U2RTS/RF13	39
40	U2CTS/RF12	40
41	AN12/RB12	41
42	AN13/RB13	42
43	AN14/RB14	43
44	AN15/OCFB/CN12/RB15	44
45	Vss	45
46	VDD	46
47	IC7/U1CTS/CN20/RD14	47
48	IC8/U1RTS/CN21/RD15	48
49	U2RX/CN17/RF4	49
50	U2TX/CN18/RF5	50
51	U1TX/RF3	51
52	U1RX/RF2	52
53	SDO1/RF8	53
54	SDI1/RF7	54
55	SCK1/INT0/RF6	55
56	SDA1/RG3	56
57	SCL1/RG2	57
58	SCL2/RA2	58
59	SDA2/RA3	59
60	TDI/RA4	60
61	TDO/RA5	61
62	VDD	62
63	OSC1/CLKIN/RC12	63
64	OSC2/CLKO/RC15	64
65	Vss	65
66	INT3/RA14	66
67	INT4/RA15	67

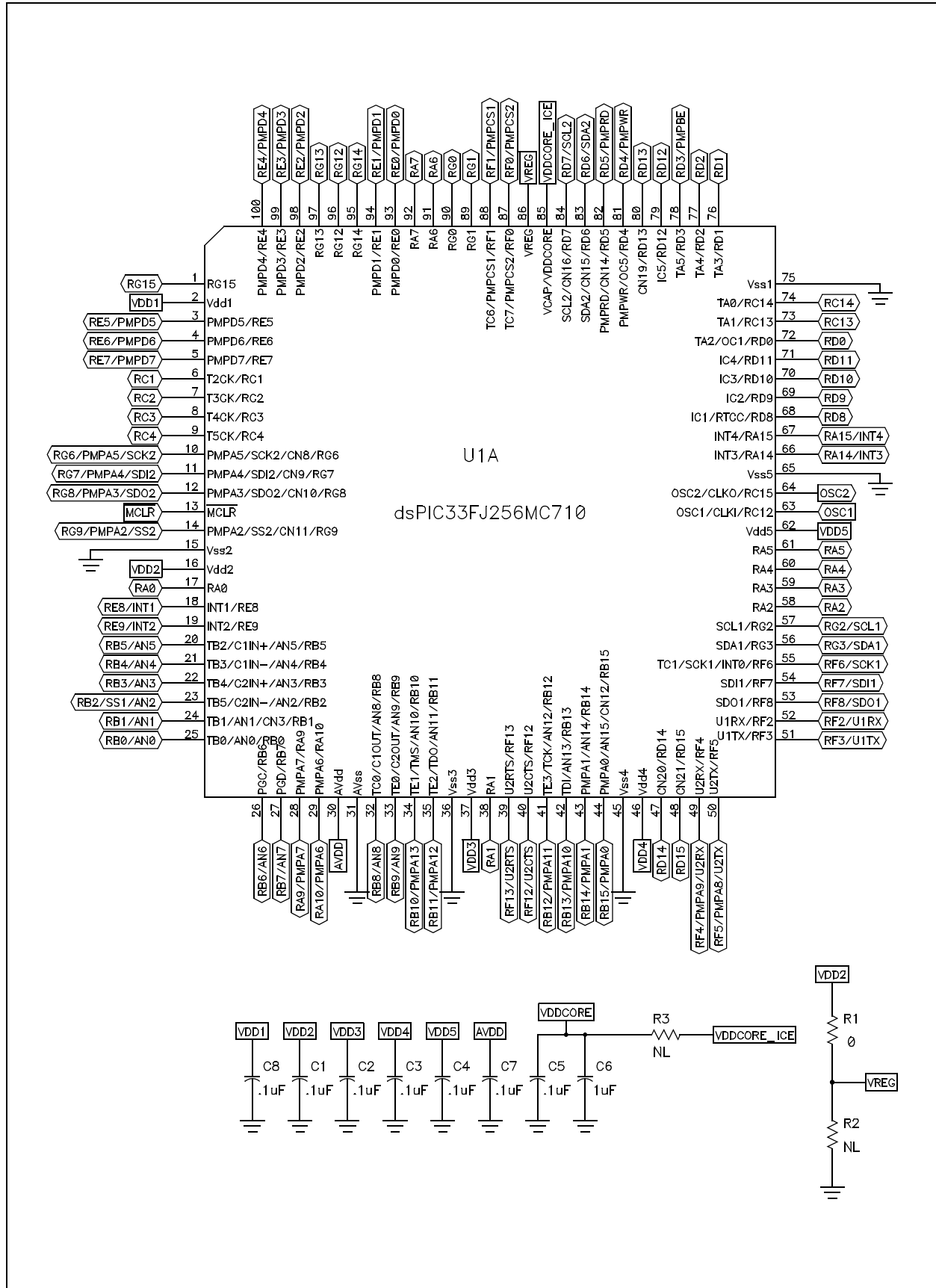
# dsPIC33FJ256MC710

TABLE 1: 100-PIN TO 100-PIN PIM (CONTINUED)

Device Pin #	dsPIC33FJ256MC710 Functional Description	PIM Pin #	Device Pin #	dsPIC33FJ256MC710 Functional Description	PIM Pin #
34	AN10/RB10	34	68	IC1/RD8	68
69	IC2/RD9	69	85	VDDCORE	85
70	IC3/RD10	70	86	VDD	86
71	IC4/RD11	71	87	C1RX/RF0	87
72	OC1/RD0	72	88	C1TX/RF1	88
73	PGD2/EMUD2/SOSCI/CN1/RC13	73	89	C2TX/RG1	89
74	PGC2/EMUC2/SOSCO/T1CK/CN0/RC14	74	90	C2RX/RG0	90
75	Vss	75	91	AN22/CN22/RA6	91
76	OC2/RD1	76	92	AN23/CN23/RA7	92
77	OC3/RD2	77	93	AN24/RE0	93
78	OC4/RD3	78	94	AN25/RE1	94
79	IC5/RD12	79	95	C5CK/RG14	95
80	IC6/CN19/RD13	80	96	CSDI/RG12	96
81	OC5/CN13/RD4	81	97	CSDO/RG13	97
82	OC6/CN14/RD5	82	98	AN26/RE2	98
83	OC7/CN15/RD6	83	99	AN27/RE3	99
84	OC8/CN16/RD7	84	100	AN28/RE4	100

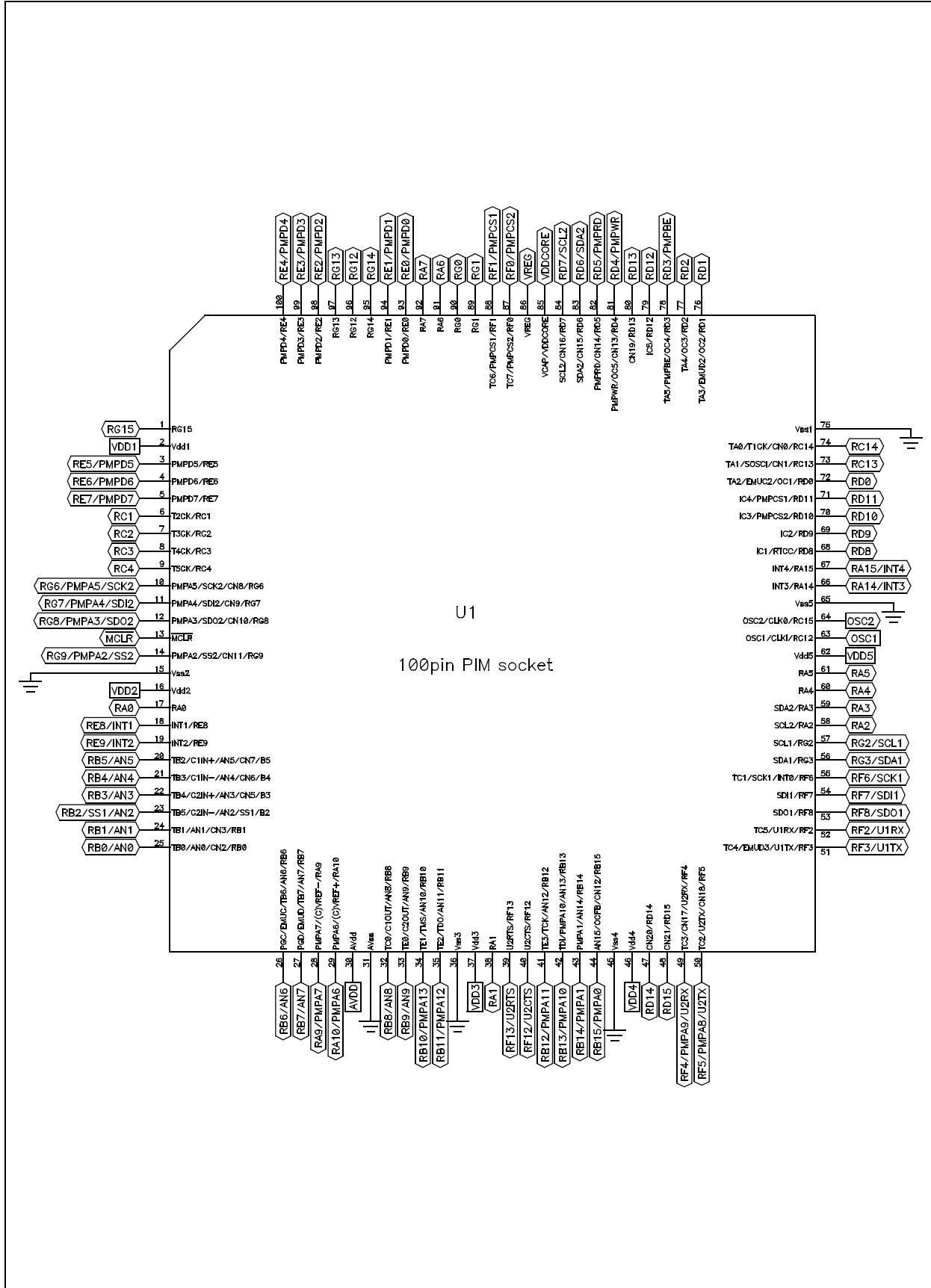
# dsPIC33FJ256MC710

FIGURE 1: 100-PIN DEVICE SCHEMATIC



# dsPIC33FJ256MC710

FIGURE 2: 100-PIN PIM SOCKET SCHEMATIC



---

**Note the following details of the code protection feature on Microchip devices:**

- Microchip products meet the specification contained in their particular Microchip Data Sheet.
- Microchip believes that its family of products is one of the most secure families of its kind on the market today, when used in the intended manner and under normal conditions.
- There are dishonest and possibly illegal methods used to breach the code protection feature. All of these methods, to our knowledge, require using the Microchip products in a manner outside the operating specifications contained in Microchip's Data Sheets. Most likely, the person doing so is engaged in theft of intellectual property.
- Microchip is willing to work with the customer who is concerned about the integrity of their code.
- Neither Microchip nor any other semiconductor manufacturer can guarantee the security of their code. Code protection does not mean that we are guaranteeing the product as “unbreakable.”

Code protection is constantly evolving. We at Microchip are committed to continuously improving the code protection features of our products. Attempts to break Microchip's code protection feature may be a violation of the Digital Millennium Copyright Act. If such acts allow unauthorized access to your software or other copyrighted work, you may have a right to sue for relief under that Act.

---

Information contained in this publication regarding device applications and the like is provided only for your convenience and may be superseded by updates. It is your responsibility to ensure that your application meets with your specifications. MICROCHIP MAKES NO REPRESENTATIONS OR WARRANTIES OF ANY KIND WHETHER EXPRESS OR IMPLIED, WRITTEN OR ORAL, STATUTORY OR OTHERWISE, RELATED TO THE INFORMATION, INCLUDING BUT NOT LIMITED TO ITS CONDITION, QUALITY, PERFORMANCE, MERCHANTABILITY OR FITNESS FOR PURPOSE. Microchip disclaims all liability arising from this information and its use. Use of Microchip devices in life support and/or safety applications is entirely at the buyer's risk, and the buyer agrees to defend, indemnify and hold harmless Microchip from any and all damages, claims, suits, or expenses resulting from such use. No licenses are conveyed, implicitly or otherwise, under any Microchip intellectual property rights.

**Trademarks**

The Microchip name and logo, the Microchip logo, Accuron, dsPIC, KEELOQ, KEELOQ logo, MPLAB, PIC, PICmicro, PICSTART, rfPIC, SmartShunt and UNI/O are registered trademarks of Microchip Technology Incorporated in the U.S.A. and other countries.

FilterLab, Linear Active Thermistor, MXDEV, MXLAB, SEEVAL, SmartSensor and The Embedded Control Solutions Company are registered trademarks of Microchip Technology Incorporated in the U.S.A.

Analog-for-the-Digital Age, Application Maestro, CodeGuard, dsPICDEM, dsPICDEM.net, dsPICworks, dsSPEAK, ECAN, ECONOMONITOR, FanSense, In-Circuit Serial Programming, ICSP, ICEPIC, Mindi, MiWi, MPASM, MPLAB Certified logo, MPLIB, MPLINK, mTouch, PICkit, PICDEM, PICDEM.net, PICtail, PIC<sup>32</sup> logo, PowerCal, PowerInfo, PowerMate, PowerTool, REAL ICE, rfLAB, Select Mode, Total Endurance, WiperLock and ZENA are trademarks of Microchip Technology Incorporated in the U.S.A. and other countries.

SQTP is a service mark of Microchip Technology Incorporated in the U.S.A.

All other trademarks mentioned herein are property of their respective companies.

© 2008, Microchip Technology Incorporated, Printed in the U.S.A., All Rights Reserved.

 Printed on recycled paper.

**QUALITY MANAGEMENT SYSTEM  
CERTIFIED BY DNV  
== ISO/TS 16949:2002 ==**

*Microchip received ISO/TS-16949:2002 certification for its worldwide headquarters, design and wafer fabrication facilities in Chandler and Tempe, Arizona; Gresham, Oregon and design centers in California and India. The Company's quality system processes and procedures are for its PIC<sup>®</sup> MCUs and dsPIC<sup>®</sup> DSCs, KEELOQ<sup>®</sup> code hopping devices, Serial EEPROMs, microperipherals, nonvolatile memory and analog products. In addition, Microchip's quality system for the design and manufacture of development systems is ISO 9001:2000 certified.*



---

---

## Worldwide Sales and Service

---

---

### AMERICAS

**Corporate Office**  
2355 West Chandler Blvd.  
Chandler, AZ 85224-6199  
Tel: 480-792-7200  
Fax: 480-792-7277  
Technical Support:  
<http://support.microchip.com>  
Web Address:  
[www.microchip.com](http://www.microchip.com)

**Atlanta**  
Duluth, GA  
Tel: 678-957-9614  
Fax: 678-957-1455

**Boston**  
Westborough, MA  
Tel: 774-760-0087  
Fax: 774-760-0088

**Chicago**  
Itasca, IL  
Tel: 630-285-0071  
Fax: 630-285-0075

**Dallas**  
Addison, TX  
Tel: 972-818-7423  
Fax: 972-818-2924

**Detroit**  
Farmington Hills, MI  
Tel: 248-538-2250  
Fax: 248-538-2260

**Kokomo**  
Kokomo, IN  
Tel: 765-864-8360  
Fax: 765-864-8387

**Los Angeles**  
Mission Viejo, CA  
Tel: 949-462-9523  
Fax: 949-462-9608

**Santa Clara**  
Santa Clara, CA  
Tel: 408-961-6444  
Fax: 408-961-6445

**Toronto**  
Mississauga, Ontario,  
Canada  
Tel: 905-673-0699  
Fax: 905-673-6509

### ASIA/PACIFIC

**Asia Pacific Office**  
Suites 3707-14, 37th Floor  
Tower 6, The Gateway  
Harbour City, Kowloon  
Hong Kong  
Tel: 852-2401-1200  
Fax: 852-2401-3431

**Australia - Sydney**  
Tel: 61-2-9868-6733  
Fax: 61-2-9868-6755

**China - Beijing**  
Tel: 86-10-8528-2100  
Fax: 86-10-8528-2104

**China - Chengdu**  
Tel: 86-28-8665-5511  
Fax: 86-28-8665-7889

**China - Hong Kong SAR**  
Tel: 852-2401-1200  
Fax: 852-2401-3431

**China - Nanjing**  
Tel: 86-25-8473-2460  
Fax: 86-25-8473-2470

**China - Qingdao**  
Tel: 86-532-8502-7355  
Fax: 86-532-8502-7205

**China - Shanghai**  
Tel: 86-21-5407-5533  
Fax: 86-21-5407-5066

**China - Shenyang**  
Tel: 86-24-2334-2829  
Fax: 86-24-2334-2393

**China - Shenzhen**  
Tel: 86-755-8203-2660  
Fax: 86-755-8203-1760

**China - Wuhan**  
Tel: 86-27-5980-5300  
Fax: 86-27-5980-5118

**China - Xiamen**  
Tel: 86-592-2388138  
Fax: 86-592-2388130

**China - Xian**  
Tel: 86-29-8833-7252  
Fax: 86-29-8833-7256

**China - Zhuhai**  
Tel: 86-756-3210040  
Fax: 86-756-3210049

### ASIA/PACIFIC

**India - Bangalore**  
Tel: 91-80-4182-8400  
Fax: 91-80-4182-8422

**India - New Delhi**  
Tel: 91-11-4160-8631  
Fax: 91-11-4160-8632

**India - Pune**  
Tel: 91-20-2566-1512  
Fax: 91-20-2566-1513

**Japan - Yokohama**  
Tel: 81-45-471- 6166  
Fax: 81-45-471-6122

**Korea - Daegu**  
Tel: 82-53-744-4301  
Fax: 82-53-744-4302

**Korea - Seoul**  
Tel: 82-2-554-7200  
Fax: 82-2-558-5932 or  
82-2-558-5934

**Malaysia - Kuala Lumpur**  
Tel: 60-3-6201-9857  
Fax: 60-3-6201-9859

**Malaysia - Penang**  
Tel: 60-4-227-8870  
Fax: 60-4-227-4068

**Philippines - Manila**  
Tel: 63-2-634-9065  
Fax: 63-2-634-9069

**Singapore**  
Tel: 65-6334-8870  
Fax: 65-6334-8850

**Taiwan - Hsin Chu**  
Tel: 886-3-572-9526  
Fax: 886-3-572-6459

**Taiwan - Kaohsiung**  
Tel: 886-7-536-4818  
Fax: 886-7-536-4803

**Taiwan - Taipei**  
Tel: 886-2-2500-6610  
Fax: 886-2-2508-0102

**Thailand - Bangkok**  
Tel: 66-2-694-1351  
Fax: 66-2-694-1350

### EUROPE

**Austria - Wels**  
Tel: 43-7242-2244-39  
Fax: 43-7242-2244-393

**Denmark - Copenhagen**  
Tel: 45-4450-2828  
Fax: 45-4485-2829

**France - Paris**  
Tel: 33-1-69-53-63-20  
Fax: 33-1-69-30-90-79

**Germany - Munich**  
Tel: 49-89-627-144-0  
Fax: 49-89-627-144-44

**Italy - Milan**  
Tel: 39-0331-742611  
Fax: 39-0331-466781

**Netherlands - Drunen**  
Tel: 31-416-690399  
Fax: 31-416-690340

**Spain - Madrid**  
Tel: 34-91-708-08-90  
Fax: 34-91-708-08-91

**UK - Wokingham**  
Tel: 44-118-921-5869  
Fax: 44-118-921-5820

# Mouser Electronics

Authorized Distributor

Click to View Pricing, Inventory, Delivery & Lifecycle Information:

[Microchip:](#)

[MA330013](#)