

Han 24B HBM Rear Fit Frame

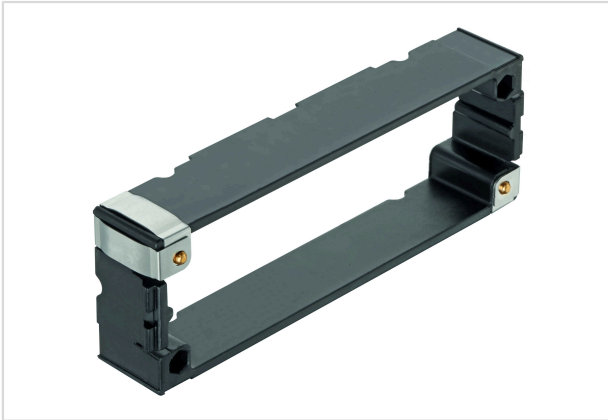


Image is for illustration purposes only. Please refer to product description.

Part number	09 30 024 9301
Specification	Han 24B HBM Rear Fit Frame
HARTING eCatalogue	https://b2b.harting.com/09300249301

Identification

Category	Accessories
Series of hoods/housings	Han [®] B
Type of accessory	Frame
Description of the accessory	Rear mounting

Version

Size	24 B
------	------

Material properties

Material (accessories)	Polyamide (PA) Stainless steel
------------------------	-----------------------------------

Commercial data

Packaging size	1
Country of origin	China
European customs tariff number	85389099
eCl@ss	27440210 Fixing element for industrial connectors