

Automotive 38 V, 1.5 A synchronous step-down switching regulator with 30 μ A quiescent current

Datasheet - production data



Description

The A6986F automotive grade device is a step-down monolithic switching regulator able to deliver up to 1.5 A DC. The output voltage adjustability ranges from 0.85 V to V_{IN} . The 100% duty cycle capability and the wide input voltage range meet the cold crank and load dump specifications for automotive systems. The “Low Consumption Mode” (LCM) is designed for applications active during car parking, so it maximizes the efficiency at light-load with controlled output voltage ripple. The “Low Noise Mode” (LNM) makes the switching frequency constant and minimizes the output voltage ripple overload current range, meeting the low noise application specification like car audio. The output voltage supervisor manages the reset phase for any digital load (μ C, FPGA). The RST open collector output can also implement output voltage sequencing during the power-up phase. The synchronous rectification, designed for high efficiency at medium - heavy load, and the high switching frequency capability make the size of the application compact. Pulse by pulse current sensing on both power elements implements an effective constant current protection.

Features



- AEC-Q100 qualified
- 1.5 A DC output current
- 4 V to 38 V operating input voltage
- Low consumption mode or low noise mode
- 30 μ A I_Q at light-load (LCM $V_{OUT} = 3.3\text{ V}$)
- 8 μ A $I_{Q-SHTDWN}$
- Adjustable f_{SW} (250 kHz - 2 MHz)
- Fixed output voltage (3.3 V and 5 V) or adjustable from 0.85 V to V_{IN}
- Embedded output voltage supervisor
- Synchronization
- Adjustable soft-start time
- Internal current limiting
- Overvoltage protection
- Output voltage sequencing
- Peak current mode architecture
- $R_{DS(ON)HS} = 180\text{ m}\Omega$, $R_{DS(ON)LS} = 150\text{ m}\Omega$
- Thermal shutdown

Applications

- Designed for automotive systems
- Battery powered applications
- Car body applications (LCM)
- Car audio and low noise applications (LNM)

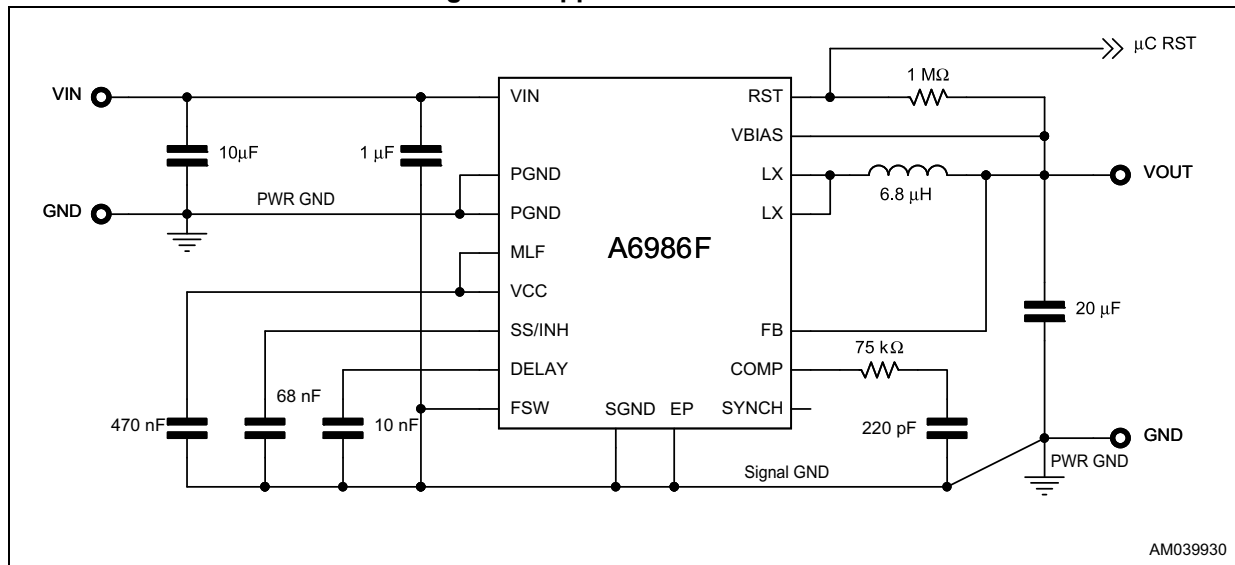
Contents

| | | |
|----------|--|-----------|
| 1 | Application schematic | 4 |
| 2 | Pin settings | 5 |
| 2.1 | Pin connection | 5 |
| 2.2 | Pin description | 5 |
| 2.3 | Maximum ratings | 6 |
| 2.4 | Thermal data | 7 |
| 2.5 | ESD protection | 7 |
| 3 | Electrical characteristics | 8 |
| 4 | Datasheet parameters over the temperature range | 13 |
| 5 | Functional description | 14 |
| 5.1 | Power supply and voltage reference | 15 |
| | Switchover feature | 15 |
| 5.2 | Voltages monitor | 16 |
| 5.3 | Soft-start and inhibit | 16 |
| | 5.3.1 Ratiometric startup | 22 |
| | 5.3.2 Output voltage sequencing | 24 |
| 5.4 | Error amplifier | 24 |
| 5.5 | Output voltage line regulation | 25 |
| 5.6 | Output voltage load regulation | 25 |
| 5.7 | High-side switch resistance vs. input voltage | 26 |
| 5.8 | Light-load operation | 26 |
| | 5.8.1 Low noise mode (LNM) | 26 |
| | 5.8.2 Low consumption mode (LCM) | 27 |
| | 5.8.3 Quiescent current in LCM with switchover | 34 |
| 5.9 | Switchover feature | 35 |
| | 5.9.1 LCM | 36 |
| | 5.9.2 LNM | 36 |
| 5.10 | Overcurrent protection | 36 |
| | OCP and switchover feature | 38 |

| | | |
|-----------|---|-----------|
| 5.11 | Overvoltage protection | 40 |
| 5.12 | Thermal shutdown | 41 |
| 6 | Closing the loop | 42 |
| 6.1 | $G_{CO}(s)$ control to output transfer function | 42 |
| 6.2 | Error amplifier compensation network | 44 |
| 6.3 | Voltage divider | 45 |
| 6.4 | Total loop gain | 46 |
| 6.5 | Compensation network design | 48 |
| 7 | Application notes | 50 |
| 7.1 | Output voltage adjustment | 50 |
| 7.2 | Switching frequency | 50 |
| 7.3 | MLF pin | 50 |
| 7.4 | Voltage supervisor | 51 |
| 7.5 | Synchronization (LNM) | 52 |
| 7.6 | Design of the power components | 57 |
| 7.6.1 | Input capacitor selection | 57 |
| 7.6.2 | Inductor selection | 59 |
| 7.6.3 | Output capacitor selection | 60 |
| 8 | Application board | 61 |
| 9 | Efficiency curves | 66 |
| 10 | EMC testing results | 69 |
| 11 | Package information | 75 |
| 11.1 | HTSSOP16 package information | 75 |
| 12 | Order codes | 77 |
| 13 | Revision history | 78 |

1 Application schematic

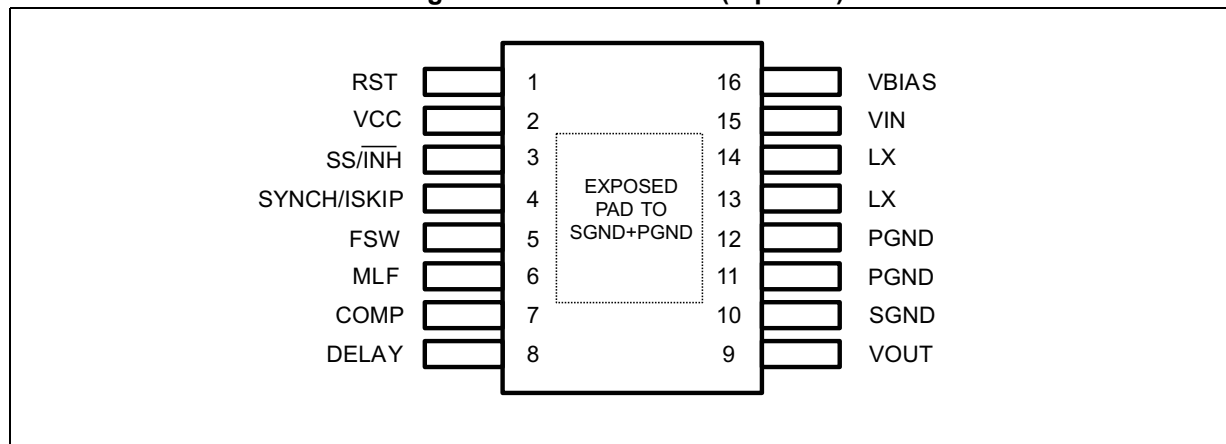
Figure 1. Application schematic



2 Pin settings

2.1 Pin connection

Figure 2. Pin connection (top view)



2.2 Pin description

Table 1. Pin description

| No. | Pin | Description |
|-----|-----------------------------|--|
| 1 | RST | The RST open collector output is driven low when the output voltage is out of regulation. The RST is released after an adjustable time DELAY once the output voltage is over the active delay threshold. |
| 2 | VCC | Connect a ceramic capacitor (≥ 470 nF) to filter internal voltage reference. This pin supplies the embedded analog circuitry. |
| 3 | SS/ $\overline{\text{INH}}$ | An open collector stage can disable the device clamping this pin to GND ($\overline{\text{INH}}$ mode). An internal current generator (4 μA typ.) charges the external capacitor to implement the soft-start. |
| 4 | SYNCH/ ISKIP | The pin features Master / Slave synchronization in LNM (see Section 5.8.1 on page 26) and skip current level selection in LCM (see Section 5.8.2 on page 27). In LNM, leave this pin floating when not used. |
| 5 | FSW | A pull up resistor (E24 series only) to VCC or pull down to GND selects the switching frequency. Pinstrapping is active only before the soft-start phase to minimize the IC consumption. |
| 6 | MLF | A pull up resistor (E24 series only) to VCC or pull down to GND selects the low noise mode/low consumption mode and the active RST threshold. Pinstrapping is active only before the soft-start phase to minimize the IC consumption. |
| 7 | COMP | Output of the error amplifier. The designed compensation network is connected at this pin. |
| 8 | DELAY | An external capacitor connected at this pin sets the time DELAY to assert the rising edge of the RST o.c. after the output voltage is over the reset threshold. If this pin is left floating, RST is like a Power Good. |
| 9 | VOUT | Output voltage sensing |
| 10 | SGND | Signal GND |

Table 1. Pin description (continued)

| No. | Pin | Description |
|-----|-------|---|
| 11 | PGND | Power GND |
| 12 | PGND | Power GND |
| 13 | LX | Switching node |
| 14 | LX | Switching node |
| 15 | VIN | DC input voltage |
| 16 | VBIAS | Typically connected to the regulated output voltage. An external voltage reference can be used to supply part of the analog circuitry to increase the efficiency at light-load. Connect to GND if not used. |
| - | E. p. | Exposed pad must be connected to SGND, PGND |

2.3 Maximum ratings

Stressing the device above the rating listed in [Table 2: Absolute maximum ratings](#) may cause permanent damage to the device. These are stress ratings only and operation of the device at these or any other conditions above those indicated in the operating sections of this specification is not implied. Exposure to absolute maximum rating conditions may affect device reliability.

Table 2. Absolute maximum ratings

| Symbol | Description | Min. | Max. | Unit |
|-----------------------------------|--------------------------------------|------------|-------------------------------------|------|
| V _{IN} | See Table 1 | -0.3 | 40 | V |
| DELAY | | -0.3 | V _{CC} + 0.3 | V |
| PGND | | SGND - 0.3 | SGND + 0.3 | V |
| SGND | | - | - | V |
| V _{CC} | | -0.3 | (V _{IN} + 0.3) or (max. 4) | V |
| SS / $\overline{\text{INH}}$ | | -0.3 | V _{IN} + 0.3 | V |
| MLF | | -0.3 | V _{CC} + 0.3 | V |
| COMP | | -0.3 | V _{CC} + 0.3 | V |
| VOUT | | -0.3 | 10 | V |
| FSW | | -0.3 | V _{CC} + 0.3 | V |
| SYNCH | | -0.3 | V _{IN} + 0.3 | V |
| V _{BIAS} | | -0.3 | (V _{IN} + 0.3) or (max. 6) | V |
| RST | | -0.3 | V _{IN} + 0.3 | V |
| LX | | -0.3 | V _{IN} + 0.3 | V |
| T _J | Operating temperature range | -40 | 150 | °C |
| T _{STG} | Storage temperature range | - | -65 to 150 | °C |
| T _{LEAD} | Lead temperature (soldering 10 sec.) | - | 260 | °C |
| I _{HS} , I _{LS} | High-side / low-side switch current | - | 2 | A |

2.4 Thermal data

Table 3. Thermal data

| Symbol | Parameter | Value | Unit |
|------------|--|-------|------|
| R_{thJA} | Thermal resistance junction ambient (device soldered on the STMicroelectronics demonstration board) | 40 | °C/W |
| R_{thJC} | Thermal resistance junction to exposed pad for board design (not suggested to estimate T_J from power losses). | 5 | °C/W |

2.5 ESD protection

Table 4. ESD protection

| Symbol | Test condition | Value | Unit |
|--------|---------------------|-------|------|
| ESD | HBM | 2 | kV |
| | MM | 200 | V |
| | CDM non-corner pins | 500 | |
| | CDM corner pins | 750 | |

3 Electrical characteristics

$T_J = -40$ to 135 °C, $V_{IN} = 12$ V unless otherwise specified.

Table 5. Electrical characteristics

| Symbol | Parameter | Test condition | Note | Min. | Typ. | Max. | Unit |
|----------------------|--|---|------|---|------|-------|----------|
| V_{IN} | Operating input voltage range | - | - | 4 | - | 38 | V |
| V_{INH} | V_{CC} UVLO rising threshold | - | - | 2.7 | - | 3.5 | |
| V_{INL} | V_{CC} UVLO falling threshold | - | - | 2.4 | - | 3.5 | |
| I_{PK} | Peak current limit | Duty cycle < 20% | - | 2.3 | - | - | A |
| | | Duty cycle = 100% closed loop operation | - | 1.8 | - | - | |
| I_{VY} | Valley current limit | - | - | 2.4 | - | - | |
| I_{SKIPH} | Programmable skip current limit | LCM, $V_{SYNCH} = GND$ | (1) | 0.2 | 0.4 | 0.6 | - |
| I_{SKIPL} | | LCM, $V_{SYNCH} = V_{CC}$ | (2) | - | 0.2 | - | |
| I_{VY_SNK} | Reverse current limit | LNM or V_{OUT} overvoltage | - | 0.5 | 1 | 2 | - |
| $R_{DSON\ HS}$ | High-side RDSON | $I_{SW} = 1$ A | - | - | 0.18 | 0.360 | Ω |
| $R_{DSON\ LS}$ | Low-side RDSON | $I_{SW} = 1$ A | - | - | 0.15 | 0.300 | |
| f_{SW} | Selected switching frequency | FSW pinstrapping before SS | - | See Table 6: f_{SW} selection | | | |
| I_{FSW} | FSW biasing current | SS ended | - | - | 0 | 500 | nA |
| LCM/LNM | Low noise mode / Low consumption mode selection | MLF pinstrapping before SS | - | See Table 7 on page 11 , Table 8 on page 12 , Table 9 on page 12 | | | |
| I_{MLF} | MLF biasing current | SS ended | - | - | 0 | 500 | nA |
| D | Duty cycle | - | (2) | 0 | - | 100 | % |
| $T_{ON\ MIN}$ | Minimum On time | - | - | - | 80 | - | ns |
| VCC regulator | | | | | | | |
| V_{CC} | LDO output voltage | $V_{BIAS} = GND$ (no switchover) | - | 2.9 | 3.3 | 3.6 | V |
| | | $V_{BIAS} = 5$ V (switchover) | - | 2.9 | 3.3 | 3.6 | |
| SWO | V_{BIAS} threshold ($3\text{ V} < V_{BIAS} < 5.5\text{ V}$) | Switch internal supply from V_{IN} to V_{BIAS} | - | 2.85 | - | 3.2 | |
| | | Switch internal supply from V_{BIAS} to V_{IN} | - | 2.78 | - | 3.15 | |

Table 5. Electrical characteristics (continued)

| Symbol | Parameter | Test condition | Note | Min. | Typ. | Max. | Unit |
|--------------------------|--|---|------|-------|------|-------|------|
| Power consumption | | | | | | | |
| I _{SHTDWN} | Shutdown current from V _{IN} | V _{SS/INH} = GND | - | 4 | 8 | 15 | μA |
| I _{Q OPVIN} | Quiescent current from V _{IN} | LCM - SWO V _{REF} < V _{FB} < V _{OVP} (SLEEP) V _{BIAS} = 3.3 V | (3) | 4 | 10 | 15 | μA |
| | | LCM - NO SWO V _{REF} < V _{FB} < V _{OVP} (SLEEP) V _{BIAS} = GND | (3) | 35 | 70 | 120 | |
| | | LNM - SWO V _{FB} = GND (NO SLEEP) V _{BIAS} = 3.3 V | - | 0.5 | 1.5 | 5 | mA |
| | | LNM - NO SWO V _{FB} = GND (NO SLEEP) V _{BIAS} = GND | - | 2 | 2.8 | 6 | |
| I _{Q OPVBIAS} | Quiescent current from V _{BIAS} | LCM - SWO V _{REF} < V _{FB} < V _{OVP} (SLEEP) V _{BIAS} = 3.3 V | (3) | 25 | 50 | 115 | μA |
| | | LNM - SWO V _{FB} = GND (NO SLEEP) V _{BIAS} = 3.3 V | - | 0.5 | 1.2 | 5 | mA |
| Soft-start | | | | | | | |
| V _{INH} | V _{SS} threshold | SS rising | - | 200 | 460 | 700 | mV |
| V _{INH HYST} | V _{SS} hysteresis | - | - | - | 100 | 140 | |
| I _{SS CH} | C _{SS} charging current | V _{SS} < V _{INH} OR t < T _{SS SETUP} OR V _{EA+} > V _{FB} | (2) | - | 1 | - | μA |
| | | t > T _{SS SETUP} AND V _{EA+} < V _{FB} | (2) | - | 4 | - | |
| V _{SS START} | Start of internal error amplifier ramp | - | - | 0.995 | 1.1 | 1.150 | V |
| SS _{GAIN} | SS/INH to internal error amplifier gain | - | - | - | 3 | - | - |
| Error amplifier | | | | | | | |
| V _{OUT} | Voltage feedback | 3.3 V (A6986F3V3) | - | 3.25 | 3.3 | 3.35 | V |
| | | 5 V (A6986F5V) | - | 4.925 | 5.0 | 5.075 | |
| | | A6986F | - | 0.841 | 0.85 | 0.859 | |
| I _{VOUT} | V _{OUT} biasing current | 3.3 V (A6986F3V3) | - | 4 | 6 | 8.5 | μA |
| | | 5 V (A6986F5V) | - | 7.5 | 10 | 13.5 | |
| | | A6986F | - | - | 50 | 500 | nA |

Table 5. Electrical characteristics (continued)

| Symbol | Parameter | Test condition | Note | Min. | Typ. | Max. | Unit |
|--|---|--|------|---|----------|----------|-------------|
| A_V | Error amplifier gain | - | (2) | - | 100 | - | dB |
| I_{COMP} | EA output current capability | - | - | ± 6 | ± 12 | ± 25 | μA |
| | | - | (4) | ± 4 | - | - | |
| Inner current loop | | | | | | | |
| g_{CS} | Current sense transconductance (V_{COMP} to inductor current gain) | $I_{pk} = 1 A$ | (2) | - | 2.5 | - | A/V |
| $V_{PP} * g_{CS}$ | Slope compensation | - | (5) | 0.45 | 0.75 | 1 | A |
| Overvoltage protection | | | | | | | |
| V_{OVP} | Overvoltage trip (V_{OVP}/V_{REF}) | - | - | 1.15 | 1.2 | 1.25 | - |
| $V_{OVP HYST}$ | Overvoltage hysteresis | - | - | 0.5 | 2 | 5 | % |
| Synchronization (fan out: 6 slave devices typ.) | | | | | | | |
| $f_{SYN MIN}$ | Synchronization frequency | LNM; $f_{SW} = VCC$ | - | 266.5 | - | - | kHz |
| $V_{SYN TH}$ | SYNCH input threshold | LNM, SYNCH rising | - | 0.70 | - | 1.2 | V |
| I_{SYN} | SYNCH pull-down current | LNM, $V_{SYN} = 1.2 V$ | - | - | 0.7 | - | mA |
| $V_{SYN OUT}$ | High level output | LNM, 5 mA sinking load | - | 1.40 | - | - | V |
| | Low level output | LNM, 0.7 mA sourcing load | - | - | - | 0.6 | |
| Reset | | | | | | | |
| V_{THR} | Selected RST threshold | MLF pinstrapping before SS | - | see Table 7 , Table 8 , Table 9 | | | |
| $V_{THR HYST}$ | RST hysteresis | - | (2) | - | 2 | - | % |
| V_{RST} | RST open collector output | $V_{IN} > V_{INH}$ AND $V_{FB} < V_{TH}$ 4 mA sinking load | - | - | - | 0.4 | V |
| | | $2 < V_{IN} < V_{INH}$ 4 mA sinking load | - | - | - | 0.8 | |
| Delay | | | | | | | |
| V_{THD} | RST open collector released as soon as $V_{DELAY} > V_{THD}$ | $V_{FB} > V_{THR}$ | - | 1.19 | 1.234 | 1.258 | V |
| $I_{D CH}$ | C_{DELAY} charging current | $V_{FB} > V_{THR}$ | - | 1 | 2 | 3 | μA |
| Thermal shutdown | | | | | | | |
| T_{SHDWN} | Thermal shutdown temperature | - | (2) | - | 165 | - | $^{\circ}C$ |
| T_{HYS} | Thermal shutdown hysteresis | - | (2) | - | 30 | - | |

- Parameter tested in static condition during testing phase. Parameter value may change over dynamic application condition.
- Not tested in production.
- LCM enables SLEEP mode at light-load.
- $T_J = -40^{\circ}C$.
- Measured at $f_{sw} = 250 kHz$.

$T_J = -40$ to 135 °C, $V_{IN} = 12$ V unless otherwise specified.

Table 6. f_{SW} selection

| Symbol | R_{VCC} (E24 series) | R_{GND} (E24 series) | T_J | f_{SW} min. | f_{SW} typ. | f_{SW} max. | Unit |
|----------|------------------------|------------------------|-------|---------------------------|---------------------------|---------------|------|
| f_{SW} | 0 Ω | NC | (1) | 225 | 250 | 275 | kHz |
| | 1.8 k Ω | NC | | - | 285 | - | |
| | 3.3 k Ω | NC | | - | 330 | - | |
| | 5.6 k Ω | NC | | - | 380 | - | |
| | 10 k Ω | NC | | - | 435 | - | |
| | NC | 0 Ω | (1) | 450 | 500 | 550 | |
| | 18 k Ω | NC | | - | 575 | - | |
| | 33 k Ω | NC | | - | 660 | - | |
| | 56 k Ω | NC | | - | 755 | - | |
| | NC | 1.8 k Ω | | - | 870 | - | |
| | NC | 3.3 k Ω | (1) | 900 | 1000 | 1100 | |
| | NC | 5.6 k Ω | | - | 1150 | - | |
| | NC | 10 k Ω | | - | 1310 | - | |
| | NC | 18 k Ω | | - | 1500⁽²⁾ | - | |
| | NC | 33 k Ω | | 1575 | 1750⁽²⁾ | 1925 | |
| | NC | 56 k Ω | 1800 | 2000⁽²⁾ | 2200 | | |

1. Not tested in production.

2. No synchronization as slave in LNM.

$T_J = -40$ to 135 °C, $V_{IN} = 12$ V unless otherwise specified.

Table 7. LNM / LCM selection (A6986F3V3)

| Symbol | R_{VCC} (E24 1%) | R_{GND} (E24 1%) | Operating mode | V_{RST}/V_{OUT} (tgt. value) | V_{RST} min. | V_{RST} typ. | V_{RST} max. | Unit |
|-----------|--------------------|--------------------|----------------|--------------------------------|----------------|----------------|----------------|------|
| V_{RST} | 0 Ω | NC | LCM | 93% | 3.008 | 3.069 | 3.130 | V |
| | 8.2 k Ω | NC | | 80% | 2.587 | 2.640 | 2.693 | |
| | 18 k Ω | NC | | 87% | 2.814 | 2.871 | 2.928 | |
| | 39 k Ω | NC | | 96% | 3.105 | 3.168 | 3.231 | |
| | NC | 0 Ω | LNM | 93% | 3.008 | 3.069 | 3.130 | |
| | NC | 8.2 k Ω | | 80% | 2.587 | 2.640 | 2.693 | |
| | NC | 18 k Ω | | 87% | 2.814 | 2.871 | 2.928 | |
| | NC | 39 k Ω | | 96% | 3.105 | 3.168 | 3.231 | |

T_J = -40 to 135 °C, V_{IN} = 12 V unless otherwise specified.

Table 8. LNM / LCM selection (A6986F5V)

| Symbol | R _{VCC} (E24 1%) | R _{GND} (E24 1%) | Operating mode | V _{RST} /V _{OUT} (tgt. value) | V _{RST} min. | V _{RST} typ. | V _{RST} max. | Unit |
|------------------|------------------------------|------------------------------|----------------|--|--------------------------|--------------------------|--------------------------|------|
| V _{RST} | 0 Ω | NC | LCM | 93% | 4.557 | 4.650 | 4.743 | V |
| | 8.2 kΩ | NC | | 80% | 3.920 | 4.000 | 4.080 | |
| | 18 kΩ | NC | | 87% | 4.263 | 4.350 | 4.437 | |
| | 39 kΩ | NC | | 96% | 4.704 | 4.800 | 4.896 | |
| | NC | 0 Ω | LNM | 93% | 4.557 | 4.650 | 4.743 | |
| | NC | 8.2 kΩ | | 80% | 3.920 | 4.000 | 4.080 | |
| | NC | 18 kΩ | | 87% | 4.263 | 4.350 | 4.437 | |
| | NC | 39 kΩ | | 96% | 4.704 | 4.800 | 4.896 | |

T_J = -40 to 135 °C, V_{IN} = 12 V unless otherwise specified.

Table 9. LNM / LCM selection (A6986F)

| Symbol | R _{VCC} (E24 1%) | R _{GND} (E24 1%) | Operating mode | V _{RST} /V _{OUT} (tgt value) | V _{RST} min. | V _{RST} typ. | V _{RST} max. | Unit |
|------------------|------------------------------|------------------------------|----------------|---|--------------------------|--------------------------|--------------------------|------|
| V _{RST} | 0 Ω | NC | LCM | 93% | 0.779 | 0.791 | 0.802 | V |
| | 8.2 kΩ ± 1% | NC | | 80% | 0.670 | 0.680 | 0.690 | |
| | 18 kΩ ± 1% | NC | | 87% | 0.728 | 0.740 | 0.751 | |
| | 39 kΩ ± 1% | NC | | 96% | 0.804 | 0.816 | 0.828 | |
| | NC | 0 Ω | LNM | 93% | 0.779 | 0.791 | 0.802 | |
| | NC | 8.2 kΩ ± 1% | | 80% | 0.670 | 0.680 | 0.690 | |
| | NC | 18 kΩ ± 1% | | 87% | 0.728 | 0.740 | 0.751 | |
| | NC | 39 kΩ ± 1% | | 96% | 0.804 | 0.816 | 0.828 | |

4 Datasheet parameters over the temperature range

The 100% of the population in the production flow is tested at three different ambient temperatures (-40 °C, +25 °C, +135 °C) to guarantee the datasheet parameters inside the junction temperature range (-40 °C, +135 °C).

The device operation is guaranteed when the junction temperature is inside the (-40 °C, +150 °C) temperature range. The designer can estimate the silicon temperature increase respect to the ambient temperature evaluating the internal power losses generated during the device operation.

However the embedded thermal protection disables the switching activity to protect the device in case the junction temperature reaches the T_{SHTDWN} (+165 °C typ.) temperature.

All the datasheet parameters can be guaranteed to a maximum junction temperature of +135 °C to avoid triggering the thermal shutdown protection during the testing phase because of self-heating.

5 Functional description

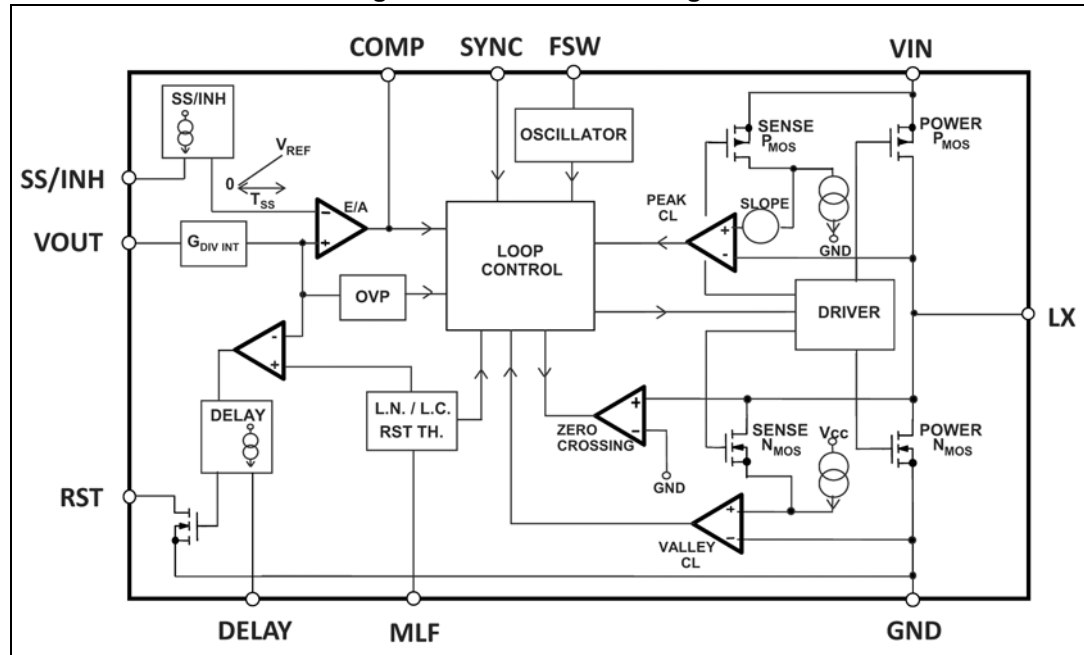
The A6986F device is based on a “peak current mode”, constant frequency control. As a consequence, the intersection between the error amplifier output and the sensed inductor current generates the PWM control signal to drive the power switch.

The device features LNM (low noise mode) that is forced PWM control, or LCM (low consumption mode) to increase the efficiency at light-load.

The main internal blocks shown in the block diagram in [Figure 3](#) are:

- Embedded power elements. Thanks to the P-channel MOSFET as high-side switch the device features low dropout operation
- A fully integrated sawtooth oscillator with adjustable frequency
- A transconductance error amplifier
- An internal feedback divider $G_{DIV INT}$
- The high-side current sense amplifier to sense the inductor current
- A “Pulse Width Modulator” (PWM) comparator and the driving circuitry of the embedded power elements
- The soft-start blocks to ramp the error amplifier reference voltage and so decreases the inrush current at power-up. The SS/INH pin inhibits the device when driven low.
- The switchover capability of the internal regulator to supply a portion of the quiescent current when the V_{BIAS} pin is connected to an external output voltage
- The synchronization circuitry to manage master / slave operation and the synchronization to an external clock
- The current limitation circuit to implement the constant current protection, sensing pulse by pulse high-side / low-side switch current. In case of heavy short-circuit the current protection is fold back to decrease the stress of the external components
- A circuit to implement the thermal protection function
- The OVP circuitry to discharge the output capacitor in case of overvoltage event
- MLF pin strapping sets the LNM/LCM mode and the thresholds of the RST comparator
- FSW pinstrapping sets the switching frequency
- The RST open collector output

Figure 3. Internal block diagram



5.1 Power supply and voltage reference

The internal regulator block consists of a start-up circuit, the voltage pre-regulator that provides current to all the blocks and the bandgap voltage reference. The starter supplies the startup current when the input voltage goes high and the device is enabled (SS/INH pin over the inhibits threshold).

The pre-regulator block supplies the bandgap cell and the rest of the circuitry with a regulated voltage that has a very low supply voltage noise sensitivity.

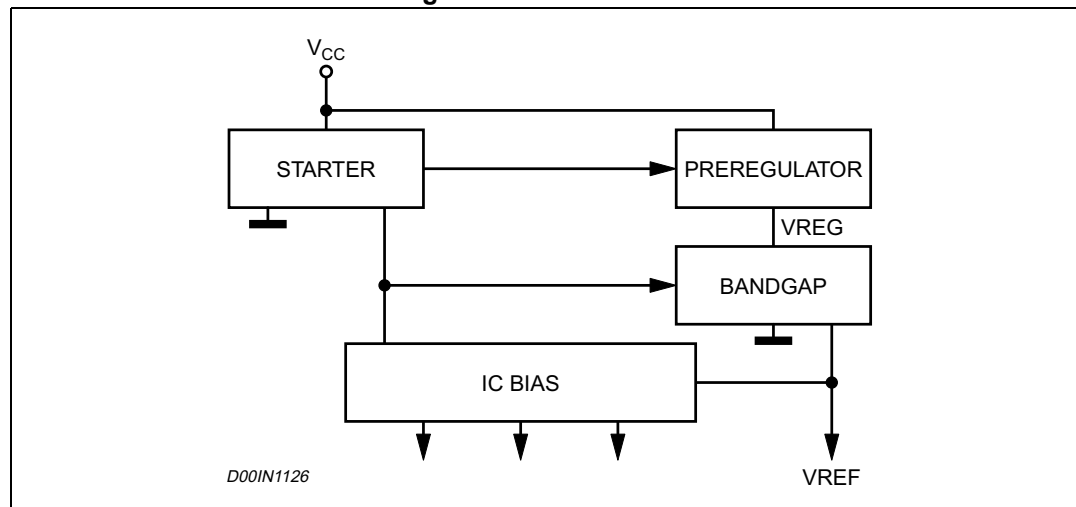
Switchover feature

The switchover scheme of the pre-regulator block features to derive the main contribution of the supply current for the internal circuitry from an external voltage ($3\text{ V} < V_{\text{BIAS}} < 5.5\text{ V}$ is typically connected to the regulated output voltage). This helps to decrease the equivalent quiescent current seen at V_{IN} . (Please refer to [Section 5.9: Switchover feature on page 35](#)).

5.2 Voltages monitor

An internal block continuously senses the V_{CC} , V_{BIAS} and V_{BG} . If the monitored voltages are good, the regulator starts operating. There is also a hysteresis on the V_{CC} (UVLO).

Figure 4. Internal circuit



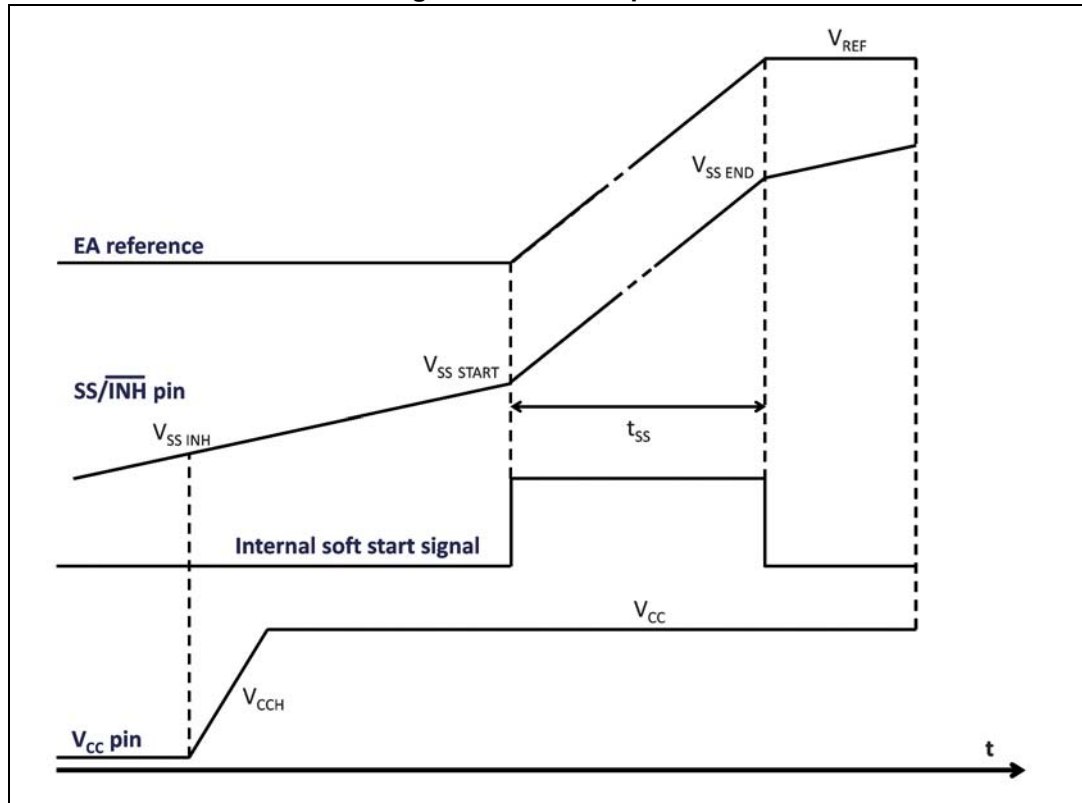
5.3 Soft-start and inhibit

The soft-start and inhibit features are multiplexed on the same pin. An internal current source charges the external soft-start capacitor to implement a voltage ramp on the SS/ $\overline{\text{INH}}$ pin. The device is inhibited as long as the SS/ $\overline{\text{INH}}$ pin voltage is lower than the V_{INH} threshold and the soft-start takes place when SS/ $\overline{\text{INH}}$ pin crosses $V_{\text{SS START}}$. (See [Figure 5: Soft-start phase](#)).

The internal current generator sources 1 μA typ. current when the voltage of the VCC pin crosses the UVLO threshold. The current increases to 4 μA typ. as soon as the SS/ $\overline{\text{INH}}$ voltage is higher than the V_{INH} threshold. This feature helps to decrease the current consumption in inhibit mode. An external open collector can be used to set the inhibit operation clamping the SS/ $\overline{\text{INH}}$ voltage below V_{INH} threshold.

The startup feature minimizes the inrush current and decreases the stress of the power components during the power-up phase. The ramp implemented on the reference of the error amplifier has a gain three times higher (SS_{GAIN}) than the external ramp present at SS/ $\overline{\text{INH}}$ pin.

Figure 5. Soft-start phase



The C_{SS} is dimensioned accordingly with [Equation 1](#):

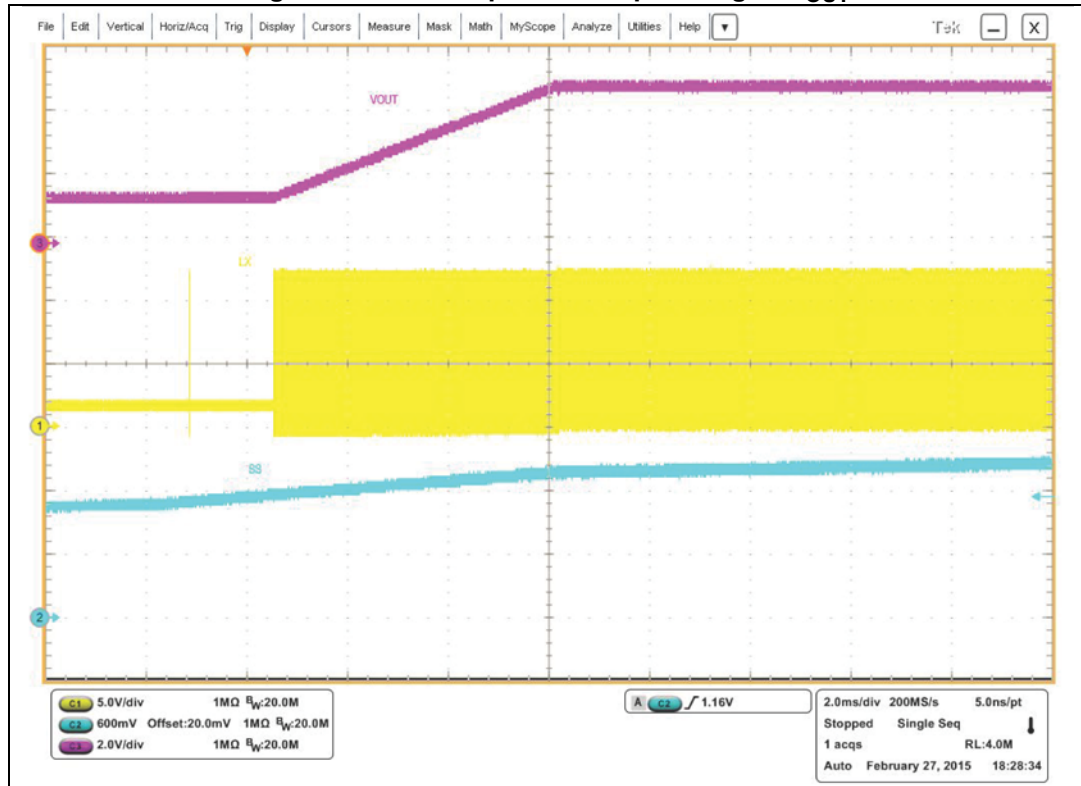
Equation 1

$$C_{SS} = SS_{GAIN} \cdot \frac{I_{SSCH} \cdot T_{SS}}{V_{FB}} = 3 \cdot \frac{4\mu A \cdot T_{SS}}{0.85V}$$

where T_{SS} is the soft-start time, I_{SSCH} the charging current and V_{FB} the reference of the error amplifier.

The soft-start block supports the precharged output capacitor.

Figure 6. Soft-start phase with precharged C_{OUT}



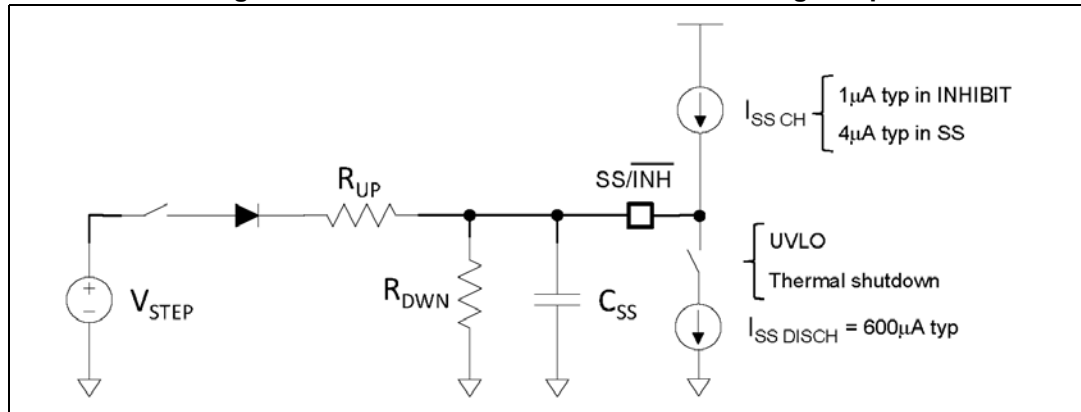
During normal operation a new soft-start cycle takes place in case of:

- Thermal shutdown event
- UVLO event
- The device is driven in $\overline{\text{INH}}$ mode

The soft-start capacitor is discharged with a 0.6 mA typ. current capability for 1 msec time max. For complete and proper capacitor discharge in case of fault condition, a maximum $C_{SS} = 67 \text{ nF}$ value is suggested.

The application example in [Figure 7](#) shows how to enable the A6986F and perform the soft-start phase driven by an external voltage step, for example the signal from the ignition switch in automotive applications.

Figure 7. Enable the device with external voltage step



The maximum capacitor value has to be limited to guarantee the device can discharge it in case of thermal shutdown and UVLO events (see [Figure 9](#)), so restart the switching activity ramping the error amplifier reference voltage.

Equation 2

$$C_{SS} < \frac{-1 \text{ msec}}{R_{SS_EQ} \cdot \ln\left(1 - \frac{V_{SS_FINAL} - 0.9 \text{ V}}{600 \mu\text{A} \cdot R_{SS_EQ}}\right)}$$

where:

Equation 3

$$R_{SS_EQ} = \frac{R_{UP} \cdot R_{DWN}}{R_{UP} + R_{DWN}} \quad V_{SS_FINAL} = (V_{STEP} - V_{DIODE}) \cdot \frac{R_{DWN}}{R_{UP} + R_{DWN}}$$

The optional diode prevents to disable the device if the external source drops to ground.

R_{UP} value is selected in order to make the capacitor charge at first approximation independent from the internal current generator (4 μA typ. current capability, see [Table 5 on page 8](#)), so:

Equation 4

$$\frac{V_{STEP} - V_{DIODE} - V_{SS_END}}{R_{UP}} \gg I_{SS_CHARGE} \equiv 4 \mu\text{A}$$

where:

Equation 5

$$V_{SS_END} = V_{SS_START} + \frac{V_{FB}}{SS_{GAIN}}$$

represents the $\overline{SS/INH}$ voltage correspondent to the end of the ramp on the error amplifier (see [Figure 5](#)); refer to [Table 5](#) for V_{SS_START} , V_{FB} and SS_{GAIN} parameters.

As a consequence the voltage across the soft-start capacitor can be written as:

Equation 6

$$v_{SS}(t) = V_{SS_FINAL} \cdot \frac{1}{1 - e^{-\frac{t}{C_{SS} \cdot R_{SS_EQ}}}}$$

R_{SS_DOWN} is selected to guarantee the device stays in inhibit mode when the internal generator sources 1 μA typ. out of the $\overline{SS/INH}$ pin and V_{STEP} is not present:

Equation 7

$$R_{DWN} \cdot I_{SS_INHIBIT} \equiv R_{DWN} \cdot 1 \mu\text{A} \ll V_{INH} \equiv 200 \text{ mV}$$

so:

Equation 8

$$R_{DWN} < 100 \text{ k}\Omega$$

R_{UP} and R_{DWN} are selected to guarantee:

Equation 9

$$V_{SS_FINAL} \cong 2 V > V_{SS_END}$$

The time to ramp the internal voltage reference can be calculated from [Equation 10](#):

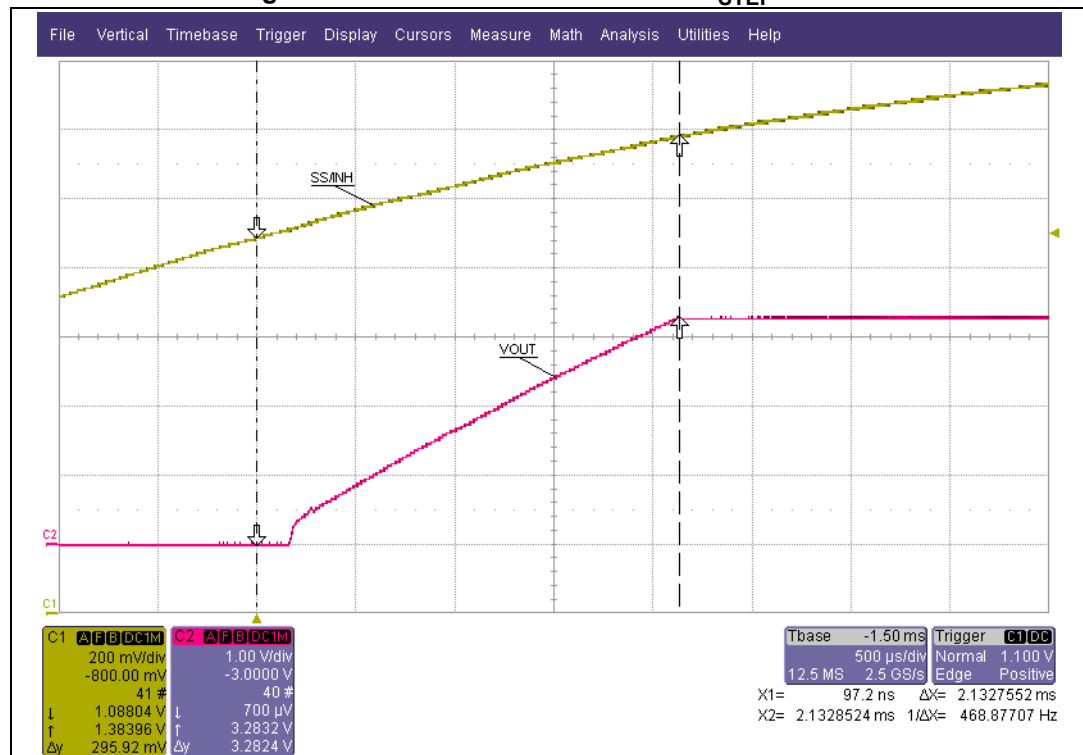
Equation 10

$$T_{SS} = C_{SS} \cdot R_{SS_EQ} \cdot \ln\left(\frac{V_{SS_FINAL} - V_{SS_START}}{V_{SS_FINAL} - V_{SS_END}}\right)$$

that is the equivalent soft-start time to ramp the output voltage.

[Figure 8](#) shows the soft-start phase with the following component selection: R_{UP} = 180 kΩ, R_{DWN} = 33 kΩ, C_{SS} = 200 nF, the 1N4148 is a small signal diode and V_{STEP} = 13 V.

Figure 8. External soft-start network V_{STEP} driven



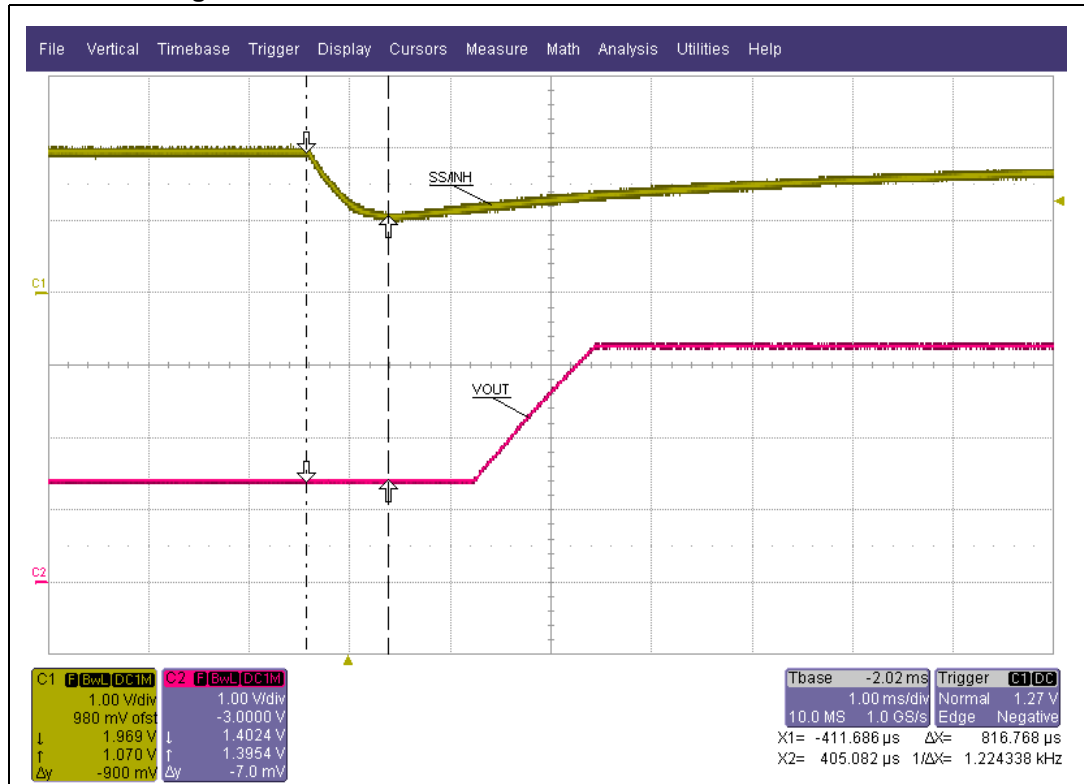
The circuit in [Figure 7](#) introduces a time delay between V_{STEP} and the switching activity that can be calculated as:

Equation 11

$$T_{SS_DELAY} = C_{SS} \cdot R_{SS_EQ} \cdot \ln\left(\frac{V_{SS_FINAL}}{V_{SS_FINAL} - V_{SS_START}}\right)$$

[Figure 9](#) shows how the device discharges the soft-start capacitor after an UVLO or thermal shutdown event in order to restart the switching activity ramping the error amplifier reference voltage.

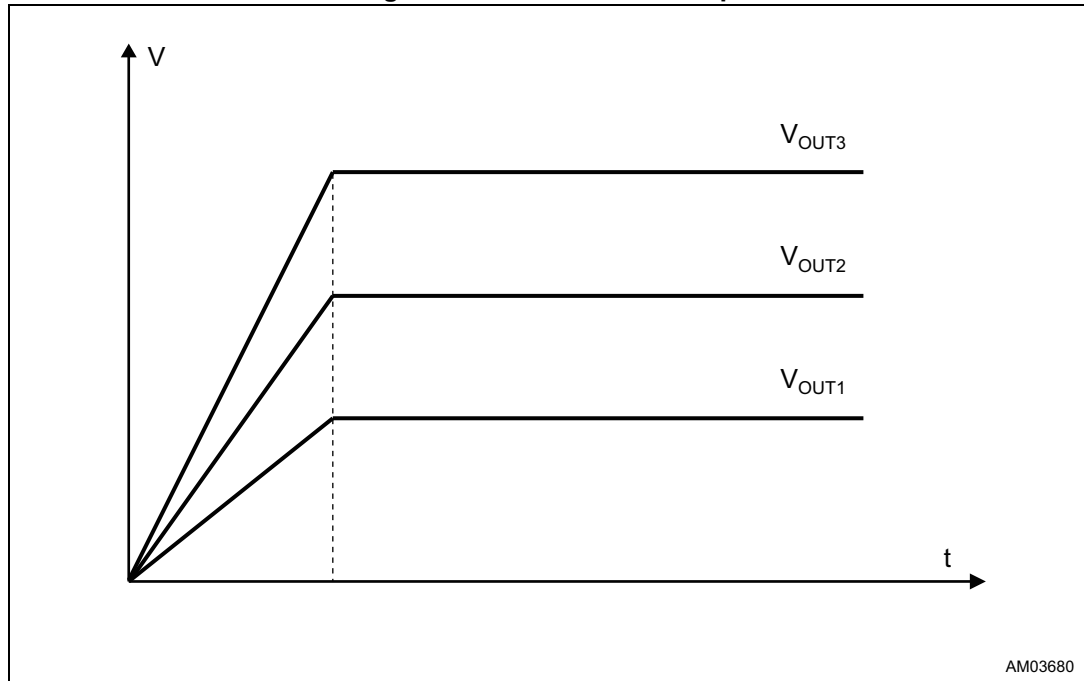
Figure 9. External soft-start after UVLO or thermal shutdown



5.3.1 Ratiometric startup

The ratiometric startup is implemented sharing the same soft-start capacitor for a set of the A6986F devices.

Figure 10. Ratiometric startup



As a consequence all the internal current generators charge in parallel the external capacitor. The capacitor value is dimensioned accordingly with [Equation 12](#):

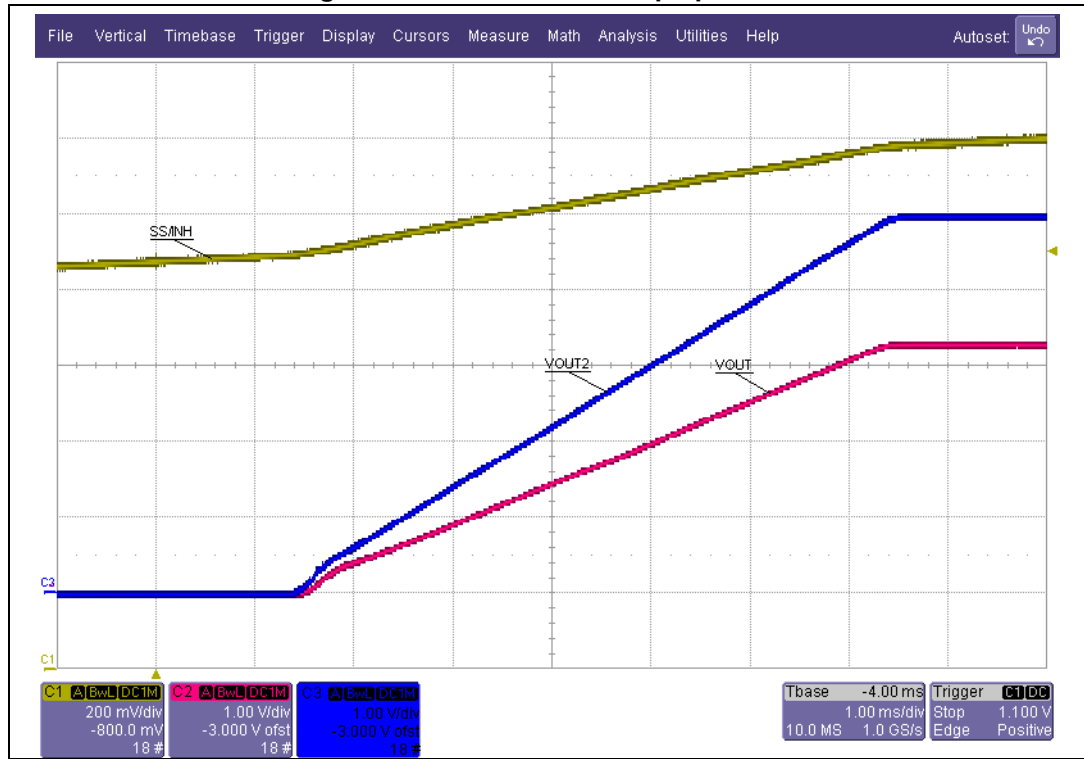
Equation 12

$$C_{SS} = n_{A6986F} \cdot SS_{GAIN} \cdot \frac{I_{SSCH} \cdot T_{SS}}{V_{FB}} = n_{A6986F} \cdot 3 \cdot \frac{4\mu A \cdot T_{SS}}{0.85V}$$

where n_{A6986F} represents the number of devices connected in parallel.

For better tracking of the different output voltages the synchronization of the set of regulators is suggested.

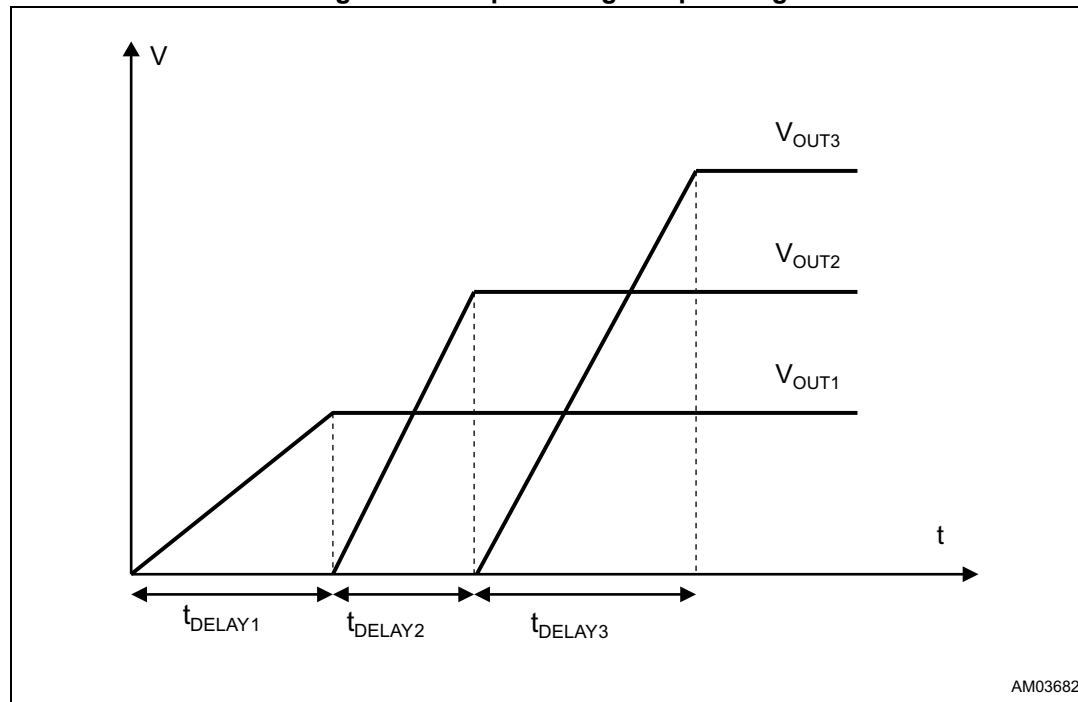
Figure 11. Ratiometric startup operation



5.3.2 Output voltage sequencing

The A6986F device implements sequencing connecting the RST pin of the master device to the SS/INH of the slave. The slave is inhibited as long as the master output voltage is outside regulation so implementing the sequencing (see [Figure 12](#)).

Figure 12. Output voltage sequencing



High flexibility is achieved thanks to the programmable RST thresholds ([Table 7 on page 11](#) and [Table 8 on page 12](#)) and programmable delay time. To minimize the component count the DELAY pin capacitor can be also omitted so the pin works as a normal Power Good.

5.4 Error amplifier

The voltage error amplifier is the core of the loop regulation. It is a transconductance operational amplifier whose non inverting input is connected to the internal voltage reference (0.85 V), while the inverting input (FB) is connected to the external divider or directly to the output voltage.

Table 10. Uncompensated error amplifier characteristics

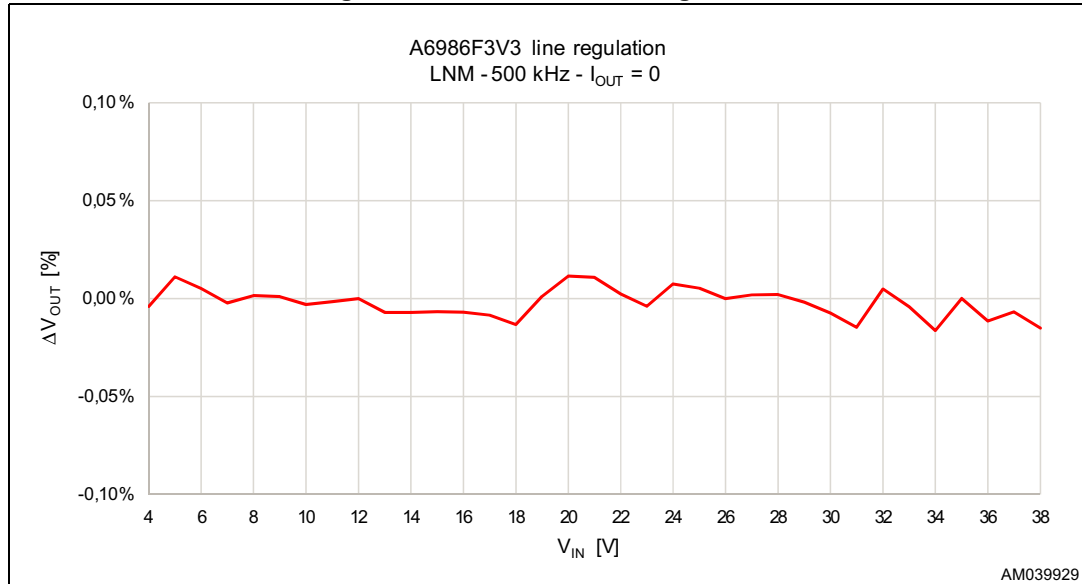
| Description | Values |
|--------------------|-------------|
| Transconductance | 155 μ S |
| Low frequency gain | 100 dB |

The error amplifier output is compared with the inductor current sense information to perform PWM control. The error amplifier also determines the burst operation at light-load when the LCM is active.

5.5 Output voltage line regulation

The regulator features an enhanced line regulation thanks to the peak current mode architecture. [Figure 13](#) shows negligible output voltage variation (normalized to the value measured at $V_{IN} = 12\text{ V}$) over the entire input voltage range for the A6986F3V3.

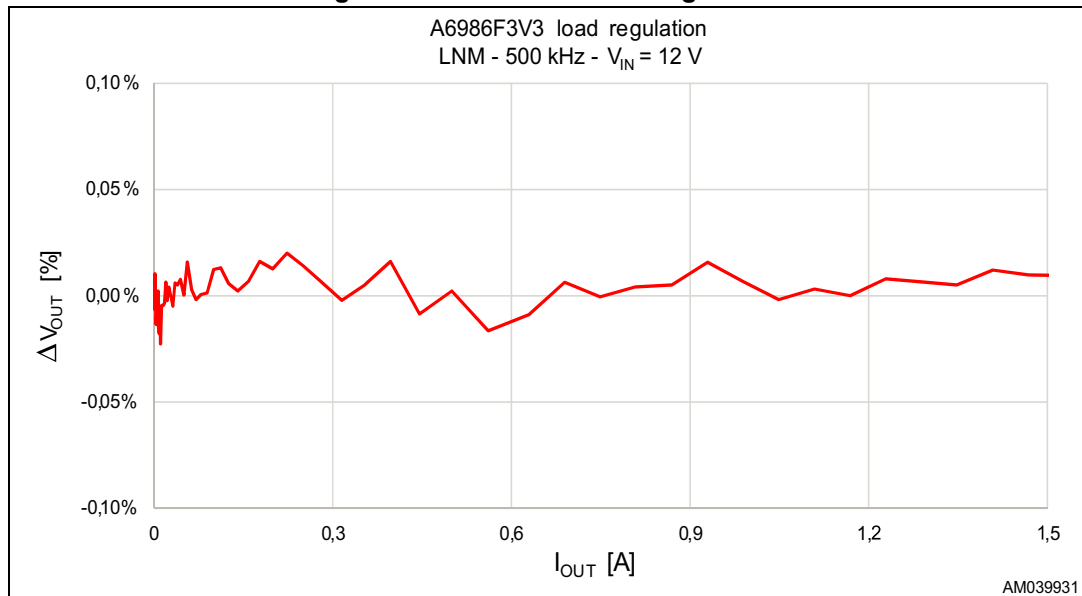
Figure 13. A6986F3V3 line regulation



5.6 Output voltage load regulation

[Figure 14](#) shows negligible output voltage variation (normalized to the value measured at $I_{OUT} = 0\text{ A}$) over the entire output current range for the A6986F3V3, measured on the A6986F3V3 evaluation board (see [Section 8: Application board on page 61](#)).

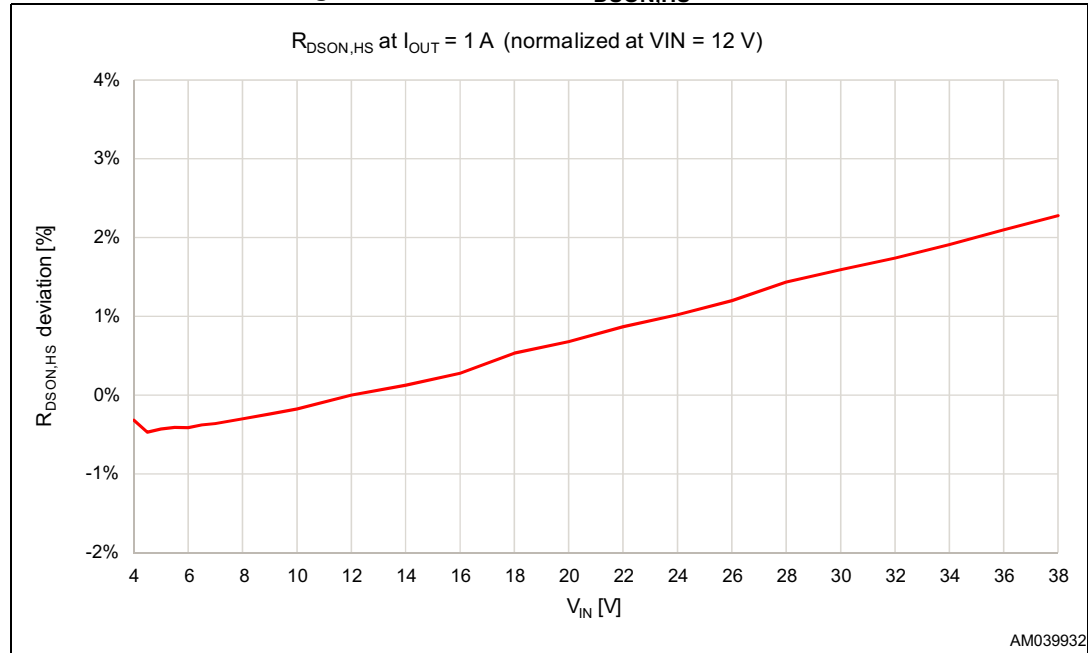
Figure 14. A6986F3V3 load regulation



5.7 High-side switch resistance vs. input voltage

Figure 15 shows the high-side switch $R_{\text{DS(on)}}$ variation over the entire input voltage operating range normalized at the value measured at $V_{\text{IN}} = 12 \text{ V}$ (see [Table 5: Electrical characteristics on page 8](#)).

Figure 15. Normalized $R_{\text{DS(on)}}$ variation



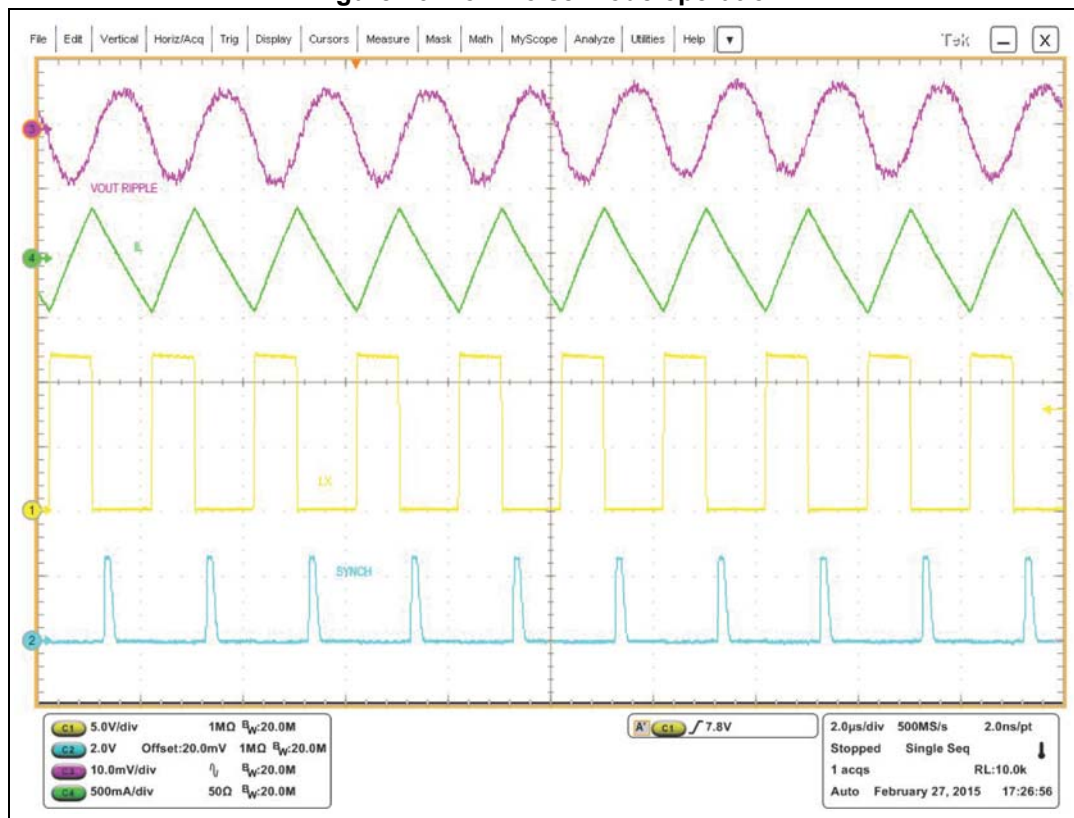
5.8 Light-load operation

The MLF pinstrapping during the power-up phase determines the light-load operation (refer to [Table 7 on page 11](#) and [Table 8 on page 12](#)).

5.8.1 Low noise mode (LNM)

The low noise mode implements a forced PWM operation over the different loading conditions. The LNM features a constant switching frequency to minimize the noise in the final application and a constant voltage ripple at fixed V_{IN} . The regulator in steady loading condition never skip pulses and it operates in continuous conduction mode (CCM) over the different loading conditions.

Figure 16. Low noise mode operation



Typical applications for the LNM operation are car audio and sensors.

5.8.2 Low consumption mode (LCM)

The low consumption mode maximizes the efficiency at light-load. The regulator prevents the switching activity whenever the switch peak current request is lower than the I_{SKIP} threshold. As a consequence the A6986F device works in bursts and it minimizes the quiescent current request in the meantime between the switching operation.

In LCM operation, the pin SYNCH/ISKIP level dynamically defines the I_{SKIP} current threshold (see [Table 5 on page 8](#)) as shown in [Table 11](#).

Table 11. I_{SKIP} programmable current threshold

| SYNCH / ISKIP (pin 4) | I_{SKIP} current threshold |
|-----------------------|------------------------------|
| LOW | $ISKIP_H = 0.4$ A typical |
| HIGH | $ISKIP_L = 0.2$ A typical |

The ISKIP programmability helps to optimize the performance in terms of the output voltage ripple or efficiency at the light-load, that are parameters which disagree each other by definition.

A lower skip current level minimizes the voltage ripple but increases the switching activity (time between bursts gets closer) since less energy per burst is transferred to the output

voltage at the given load. On the other side, a higher skip level reduces the switching activity and improves the efficiency at the light-load but worsen the voltage ripple.

No difference in terms of the voltage ripple and conversion efficiency for the medium and high load current level, that is when the device operates in the discontinuous or continuous mode (DCM vs. CCM).

The A6986F allows changing the skip current threshold level while the device is switching in order to adapt the pulse skipping operation to the loading condition. The time needed to detect and implement this transition is negligible with respect to the switching period.

When the A6986F is configured in the low consumption mode, the SYNCH/ISKIP pin operates as a logic gate input pin with an internal pull-down (4.5 μ A typ.) guaranteeing the I_{SKIPH} operation when leaving the pin floating. [Table 12](#) reports the V_{SYNCH/ISKIP} thresholds and the minimum current needed to drive the pin.

Table 12. SYNCH/ISKIP pin voltage thresholds and driving current

| Parameter | Value |
|--------------------------------------|----------------|
| V _{SKIP_TH_L_MAX} | 0.65 V |
| V _{SKIP_TH_H_MIN} | 1.6 V |
| I _{SYNCH/ISKIP_DRIVING_MIN} | $\pm 10 \mu$ A |

[Figure 17](#) shows a skip current threshold transition at I_{LOAD} = 125 mA measured on the A6986F3V3 with fsw = 500 kHz and L = 15 μ H:

- When V(SYNCH/ISKIP) < V_{SKIP_TH_L_MAX}, the A6986F operates in the pulse skipping mode minimizing current consumption
- When V(SYNCH/ISKIP) > V_{SKIP_TH_H_MIN}, the A6986F operates in the continuous conduction mode minimizing the output voltage ripple

Figure 17. A6986F3V3 skip current level transition at I_{LOAD} = 125 mA with L = 15 μ H

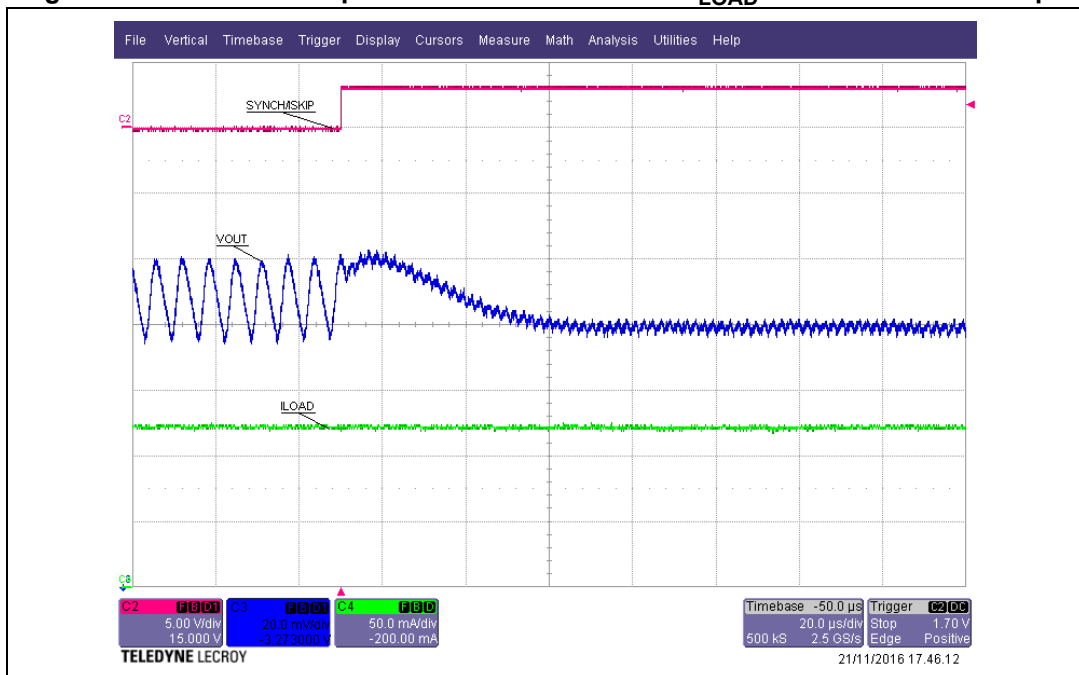


Figure 18 and Figure 19 report the efficiency measurements to highlight the $ISKIP_H$ and $ISKIP_L$ efficiency gap at the light-load also in comparison with the LNM operation (also called NOSKIP). The same efficiency at the medium / high load is confirmed at different $ISKIP$ levels.

Figure 18. Light-load efficiency comparison at different I_{SKIP} - linear scale

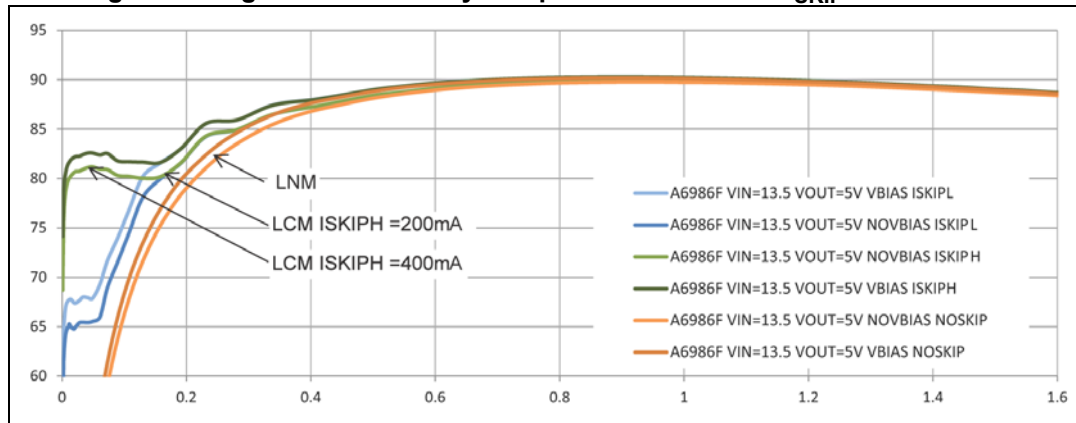


Figure 19. Light-load efficiency comparison at different I_{SKIP} - log scale

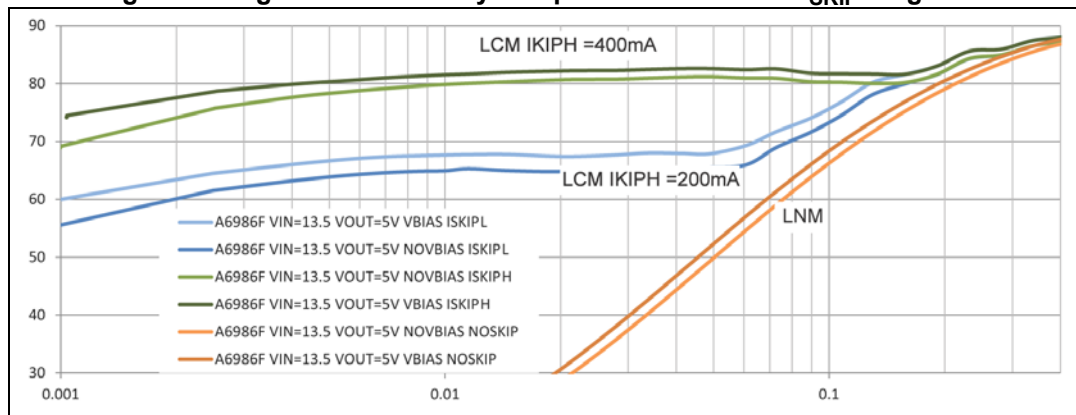


Figure 20 and Figure 21 show the LCM operation at the different $ISKIP$ level.

Figure 20 shows the $ISKIP_H = 400\text{mA}$ typ. and so 20 mV output voltage ripple.

Figure 21 shows the $ISKIP_L = 200\text{mA}$ typ. and so 10 mV output voltage ripple.

Figure 20. LCM operation with $ISKIP_H = 400\text{ mA typ.}$ at zero load

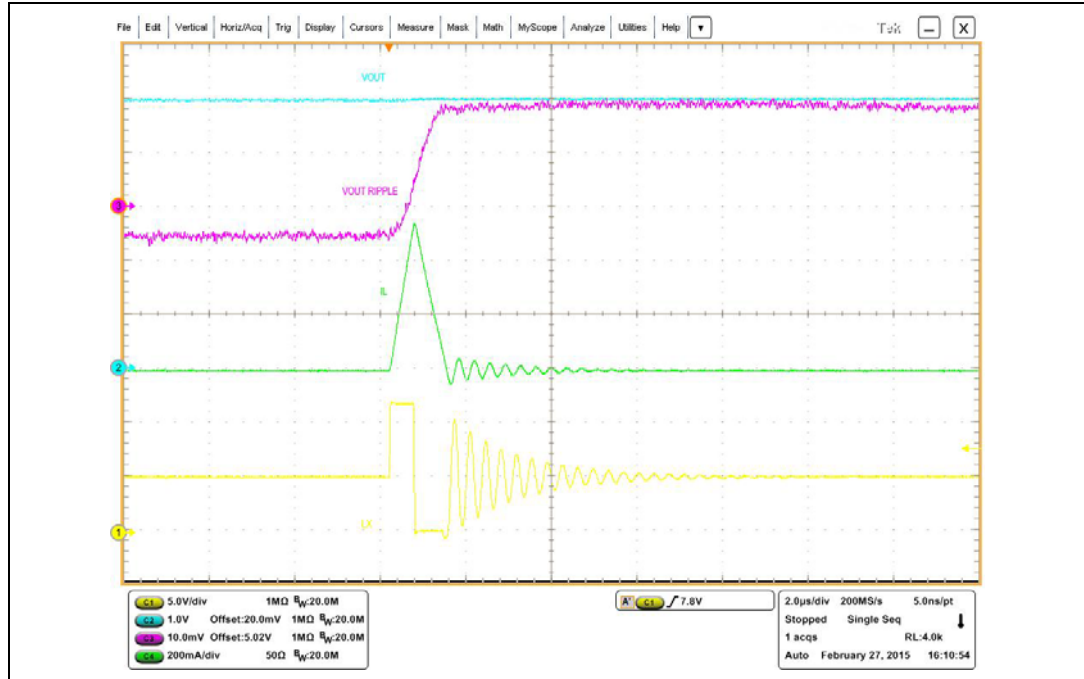
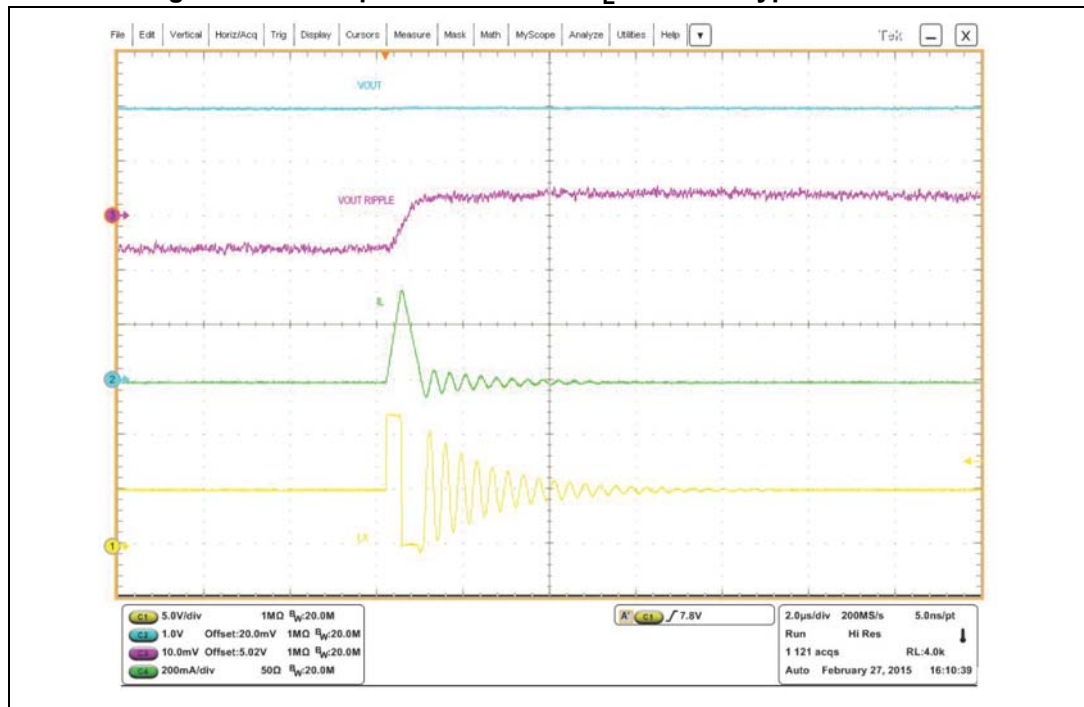


Figure 21. LCM operation with $ISKIP_L = 200\text{ mA typ.}$ at zero load



The LCM operation satisfies the requirements of the unswitched car body applications (KL30). These applications are directly connected to the battery and are operating when the engine is disabled. The typical load when the car is parked is represented by a CAN transceiver and a microcontroller in sleep mode (total load is around 20 - 30 μ A). As soon as the transceiver recognizes a valid word in the bus, it awakes the μ C and the rest of the application.

The typical input current request of the module when the car is parked is 100 μ A typ. to prevent the battery discharge over the parking time. In order to minimize the regulator quiescent current request from the input voltage, the V_{BIAS} pin can be connected to an external voltage source in the range $3\text{ V} < V_{BIAS} < 5.5\text{ V}$ (see [Section 5.1: Power supply and voltage reference on page 15](#)).

In case the V_{BIAS} pin is connected to the regulated output voltage (VOUT), the total current drawn from the input voltage can be calculated as [Equation 14](#).

Given the energy stored in the inductor during a burst, the voltage ripple depends on the capacitor value:

Equation 13

$$V_{OUT\text{ RIPPLE}} = \frac{\Delta Q_{IL}}{C_{OUT}} = \frac{\int_0^{T_{BURST}} (i_L(t) \cdot dt)}{C_{OUT}}$$

Figure 22. LCM operation over loading condition (part 1)

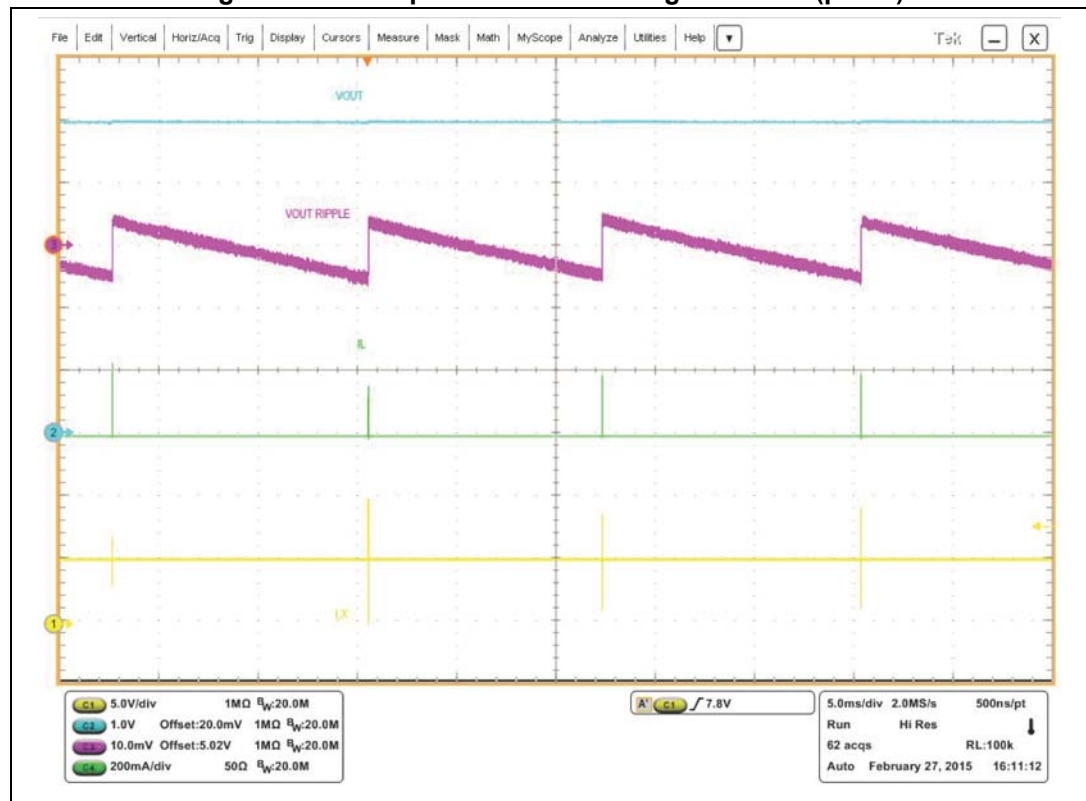


Figure 23. LCM operation over loading condition (part 2 - DCM)

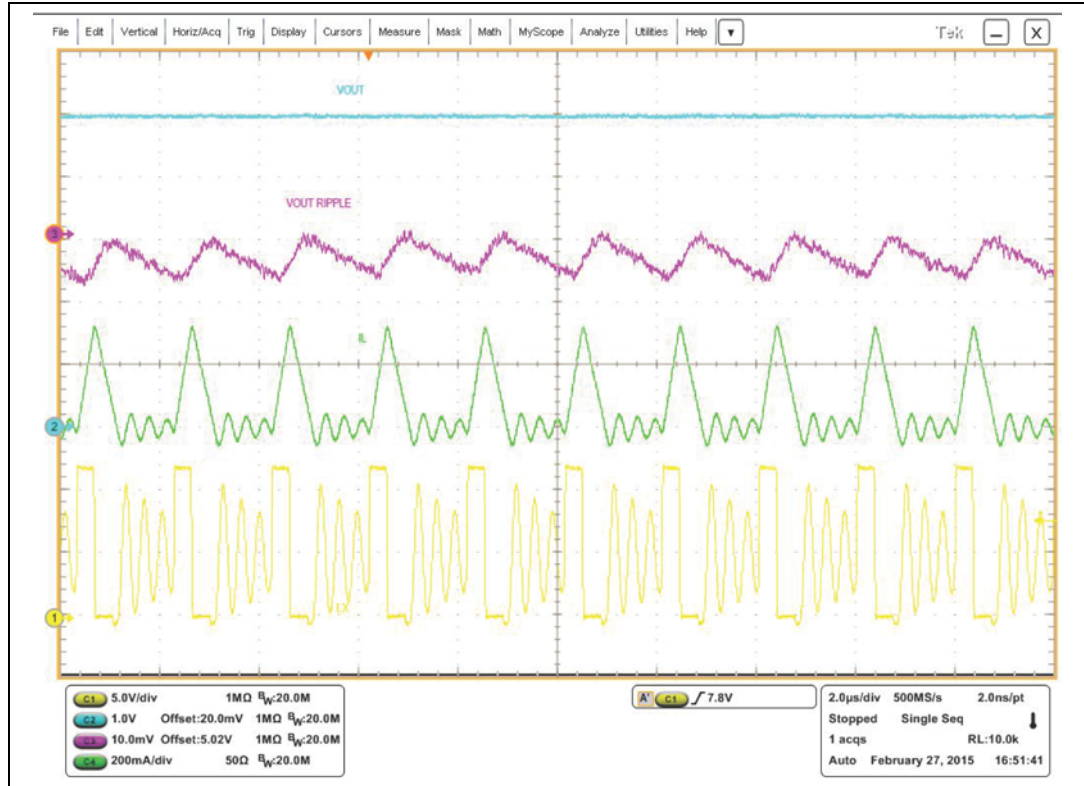


Figure 24. LCM operation over loading condition (part 3 - DCM)

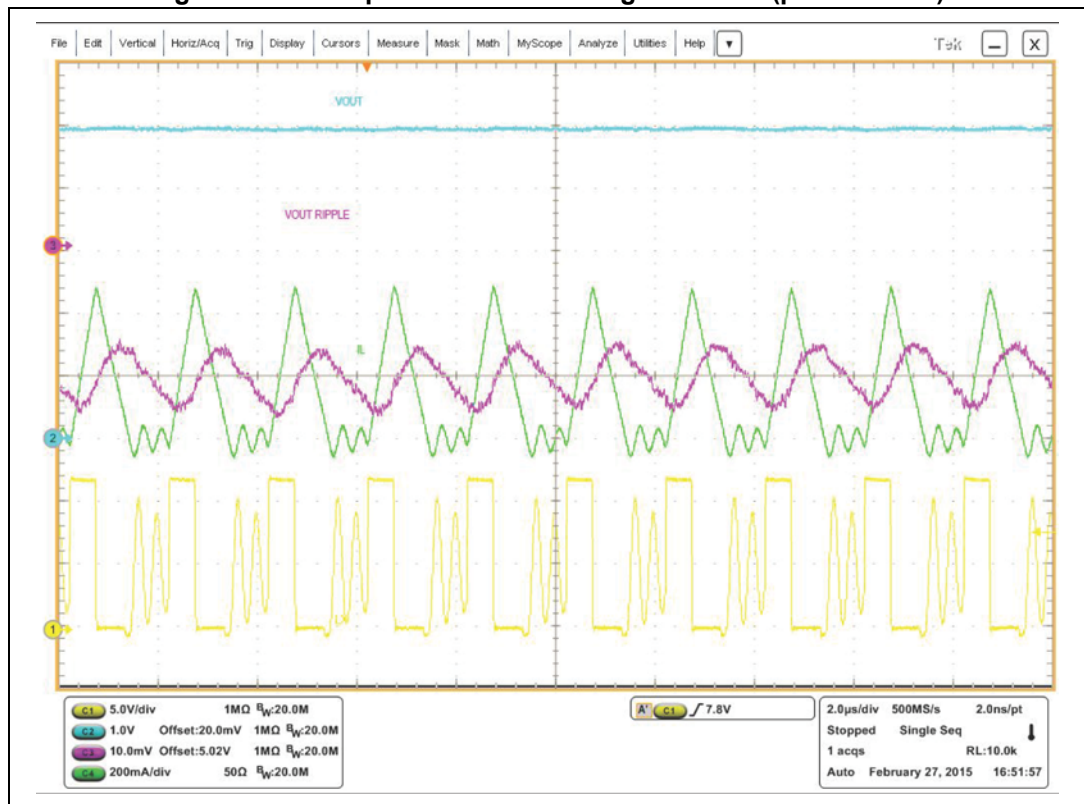


Figure 25. LCM operation over loading condition (part 4 - DCM)

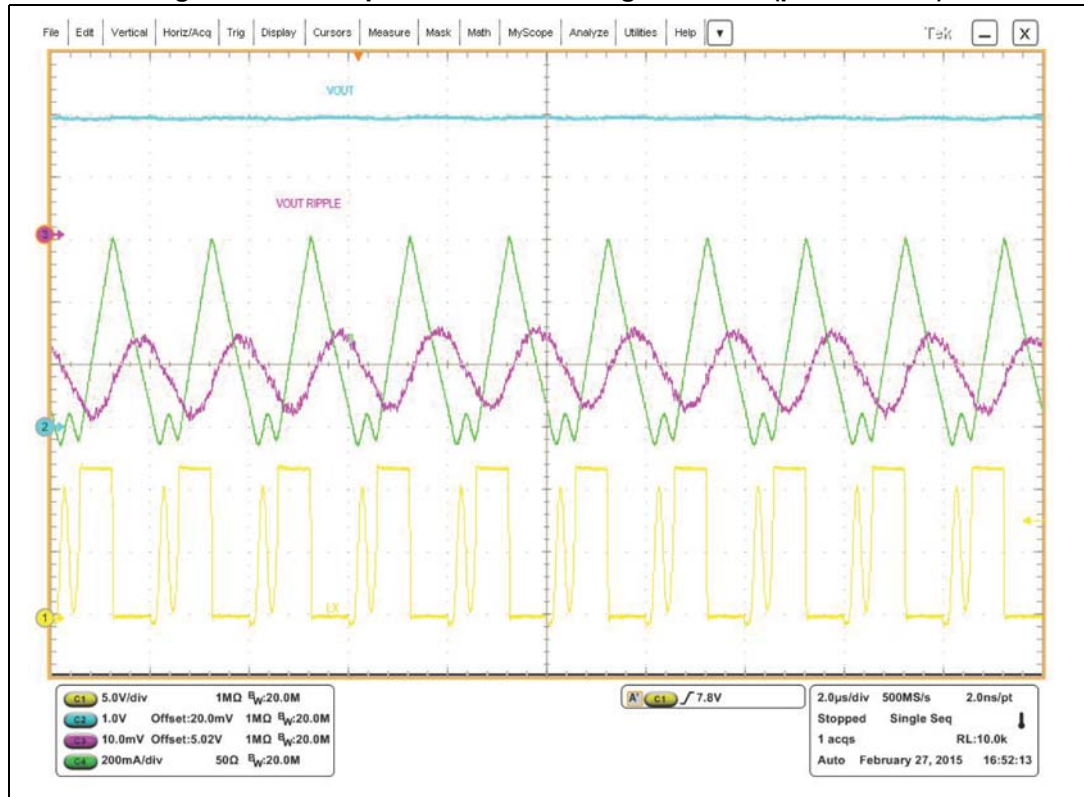
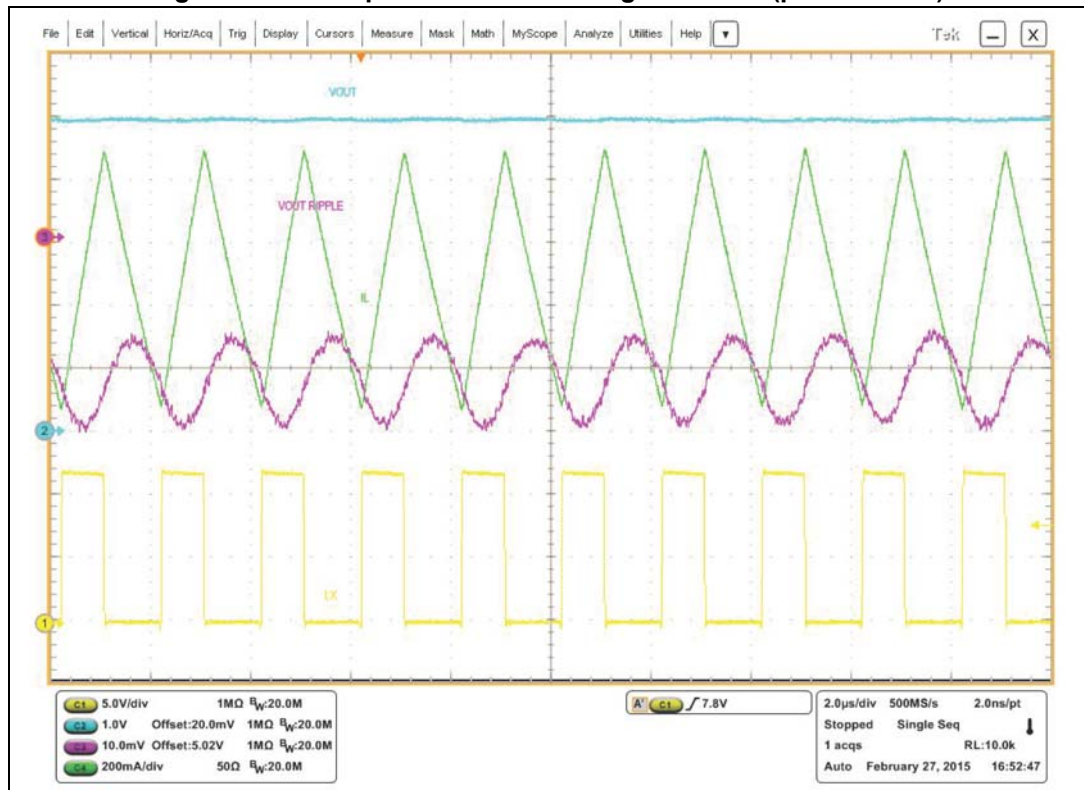


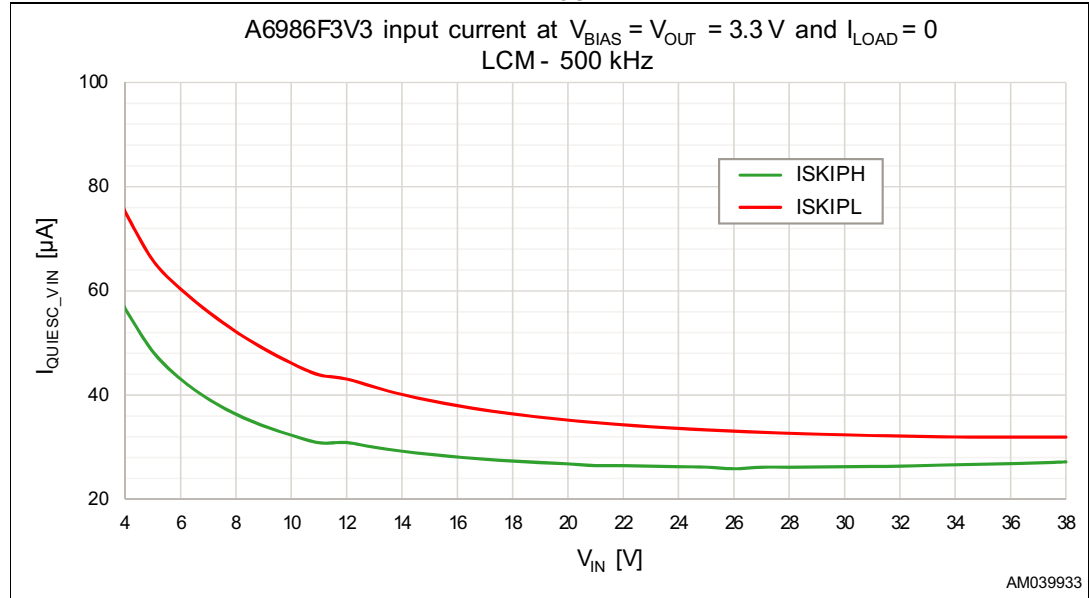
Figure 26. LCM operation over loading condition (part 5 - CCM)



5.8.3 Quiescent current in LCM with switchover

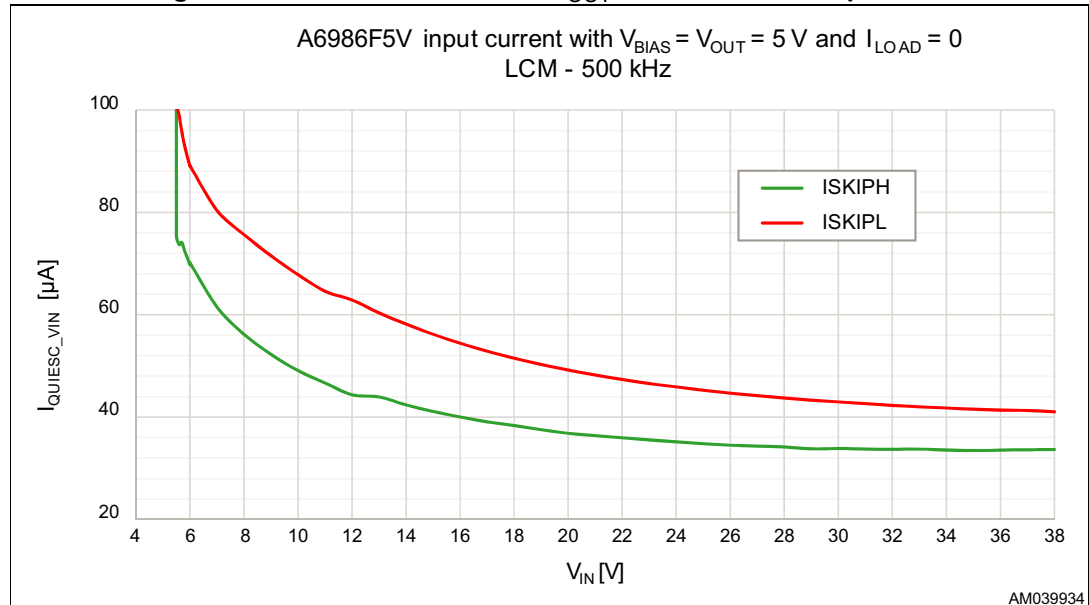
The current absorbed from the input voltage in the low consumption mode while regulating the output voltage at the zero output load depends on the input voltage value and the selected skip current level, as shown in [Figure 27](#) and [Figure 28](#).

Figure 27. Quiescent current at $V_{OUT} = 3.3\text{ V}$ and zero output load



When V_{IN} is adequately higher than V_{OUT} (see [Figure 27](#)) the device works in the bursts mode operation, minimizing the power consumption over the entire input voltage (see [Section 5.8.2: Low consumption mode \(LCM\)](#)).

Figure 28. Quiescent current at $V_{OUT} = 5\text{ V}$ and zero output load

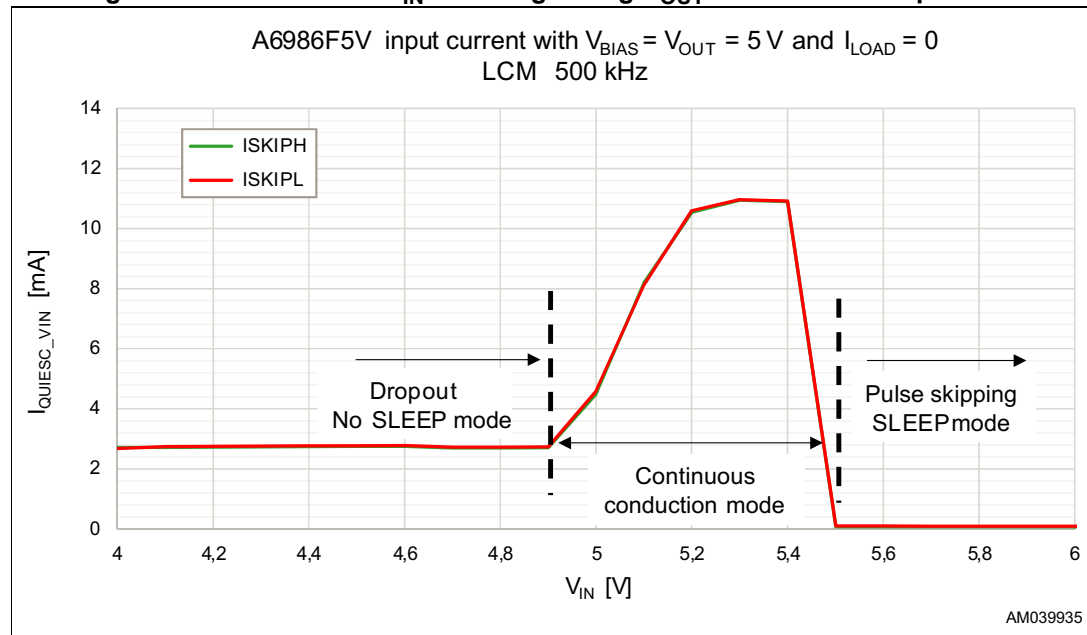


When V_{IN} approaches V_{OUT} (see [Figure 28](#) and zoomed [Figure 29](#)) the device increases the switching activity towards the continuous conduction mode operation for the internal

slope contribution effect on the programmed skip current threshold. As a consequence the quiescent current increases.

When V_{IN} is lower than V_{OUT} (see [Figure 29](#)), the device enters in the low dropout operation with the high-side always switched on. In this operating condition, all the internal circuit blocks are active and the quiescent current corresponds to what measured in the low noise mode operation (see $I_{Q OP VIN}$ and $I_{Q OP VBIAS}$ in [Table 5: Electrical characteristics](#) given $V_{FB} = GND$).

Figure 29. Current from V_{IN} while regulating $V_{OUT} = 5 V$ at zero output load



5.9 Switchover feature

The switchover maximizes the efficiency at the light-load that is crucial for LCM applications.

The switchover operation features to derive the main contribution of the supply current for the internal circuitry from an external voltage ($3 V < V_{BIAS} < 5.5 V$ is typically connected to the regulated output voltage). This helps to decrease the equivalent quiescent current seen at V_{IN} .

In case the regulator output voltage is not compatible with the V_{BIAS} input voltage range, it is possible to use an auxiliary voltage source for the switchover operation. The external auxiliary voltage source must always respect the condition $3 V < V_{AUX} < 5.5 V$, and must be derived from the A6986F power supply (V_{IN} - pin 15) for proper power sequencing of the internal circuits.

5.9.1 LCM

The LCM operation satisfies the high efficiency requirements of the battery powered applications.

In case the V_{BIAS} pin is connected to the regulated output voltage (V_{OUT}), the total current drawn from the input voltage can be calculated as:

Equation 14

$$I_{QVIN} = I_{QOPVIN} + \frac{1}{\eta_{A6986F}} \cdot \frac{V_{BIAS}}{V_{IN}} \cdot I_{QOPVBIAS}$$

where I_{QOPVIN} , $I_{QOPVBIAS}$ are defined in [Table 5: Electrical characteristics on page 8](#) and η_{A6986F} is the efficiency of the conversion in the working point.

5.9.2 LNM

[Equation 14](#) is also valid when the device works in LNM and it can increase the efficiency at the medium load since the regulator always operates in the continuous conduction mode.

5.10 Overcurrent protection

The current protection circuitry features a constant current protection, so the device limits the maximum peak current (see [Table 5](#)) in overcurrent condition.

The A6986F device implements a pulse by pulse current sensing on both power elements (high-side and low-side switches) for effective current protection over the duty cycle range. The high-side current sensing is called “peak” the low-side sensing “valley”.

The internal noise generated during the switching activity makes the current sensing circuitry ineffective for a minimum conduction time of the power element. This time is called “masking time” because the information from the analog circuitry is masked by the logic to prevent an erroneous detection of the overcurrent event. As a consequence, the peak current protection is disabled for a masking time after the high-side switch is turned on, the valley for a masking time after the low-side switch is turned on. In other words, the peak current protection can be ineffective at extremely low duty cycles, the valley current protection at extremely high duty cycles.

The A6986F device assures an effective overcurrent protection sensing the current flowing in both power elements. In case one of the two current sensing circuitry is ineffective because of the masking time, the device is protected sensing the current on the opposite switch. Thus, the combination of the “peak” and “valley” current limits assure the effectiveness of the overcurrent protection even in extreme duty cycle conditions.

The valley current threshold is designed higher than the peak to guarantee a proper operation. In case the current diverges because of the high-side masking time, the low-side power element is turned on until the switch current level drops below the valley current sense threshold. The low-side operation is able to prevent the high-side turn on, so the device can skip pulses decreasing the switching frequency.

Figure 30. Valley current sense operation in overcurrent condition

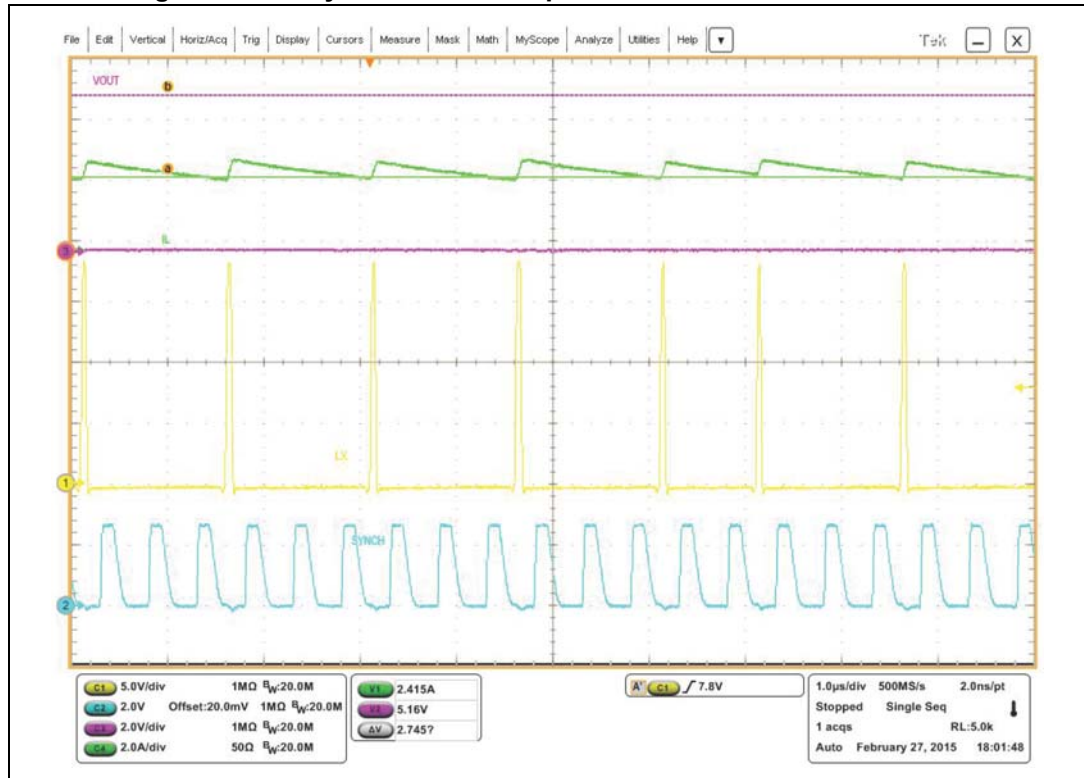


Figure 30 shows the switching frequency reduction during the valley current sense operation in case of extremely low duty cycle ($V_{IN} = 38\text{ V}$, $f_{SW} = 500\text{ kHz}$ short-circuit condition).

In a worst case scenario (like Figure 30) of the overcurrent protection the switch current is limited to:

Equation 15

$$I_{MAX} = I_{VALLEY_TH} + \frac{V_{IN} - V_{OUT}}{L} \cdot T_{MASK_HS}$$

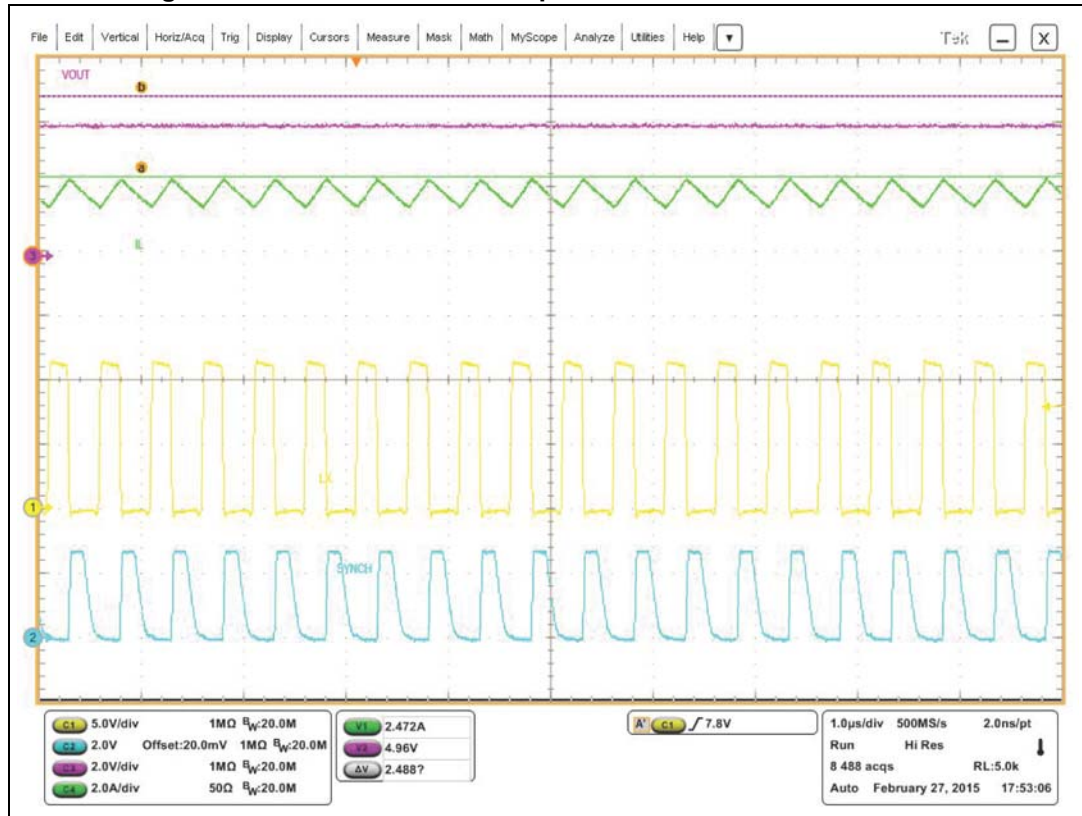
where I_{VALLEY_TH} is the current threshold of the valley sensing circuitry (see Table 5: Electrical characteristics on page 8) and T_{MASK_HS} is the masking time of the high-side switch 100 nsec. typ.).

In most of the overcurrent conditions the conduction time of the high-side switch is higher than the masking time and so the peak current protection limits the switch current.

Equation 16

$$I_{MAX} = I_{PEAK_TH}$$

Figure 31. Peak current sense operation in overcurrent condition



The DC current flowing in the load in overcurrent condition is:

Equation 17

$$I_{DCOC}(V_{OUT}) = I_{MAX} - \frac{I_{RIPPLE}(V_{OUT})}{2} = I_{MAX} - \left(\frac{V_{IN} - V_{OUT}}{2 \cdot L} \cdot T_{ON} \right)$$

OCP and switchover feature

Output capacitor discharging the current flowing to ground during heavy short-circuit events is only limited by parasitic elements like the output capacitor ESR and short-circuit impedance.

Due to parasitic inductance of the short-circuit impedance, negative output voltage oscillations can be generated with huge discharging current levels (see [Figure 32](#)).

Figure 32. Output voltage oscillations during heavy short-circuit

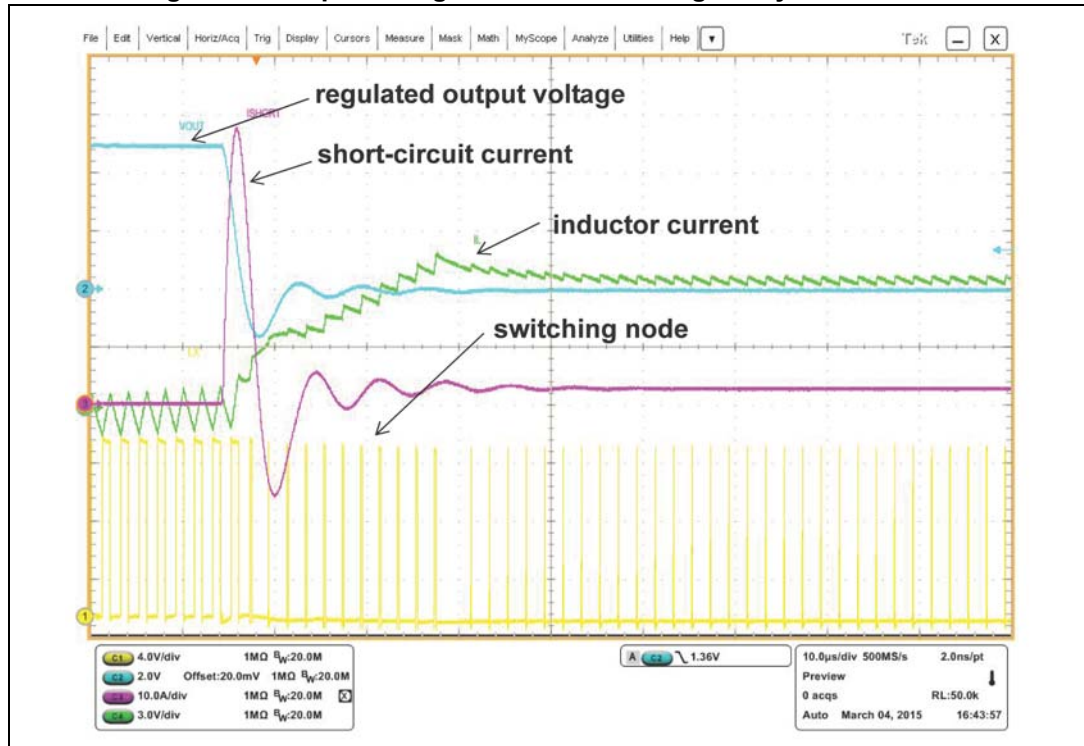
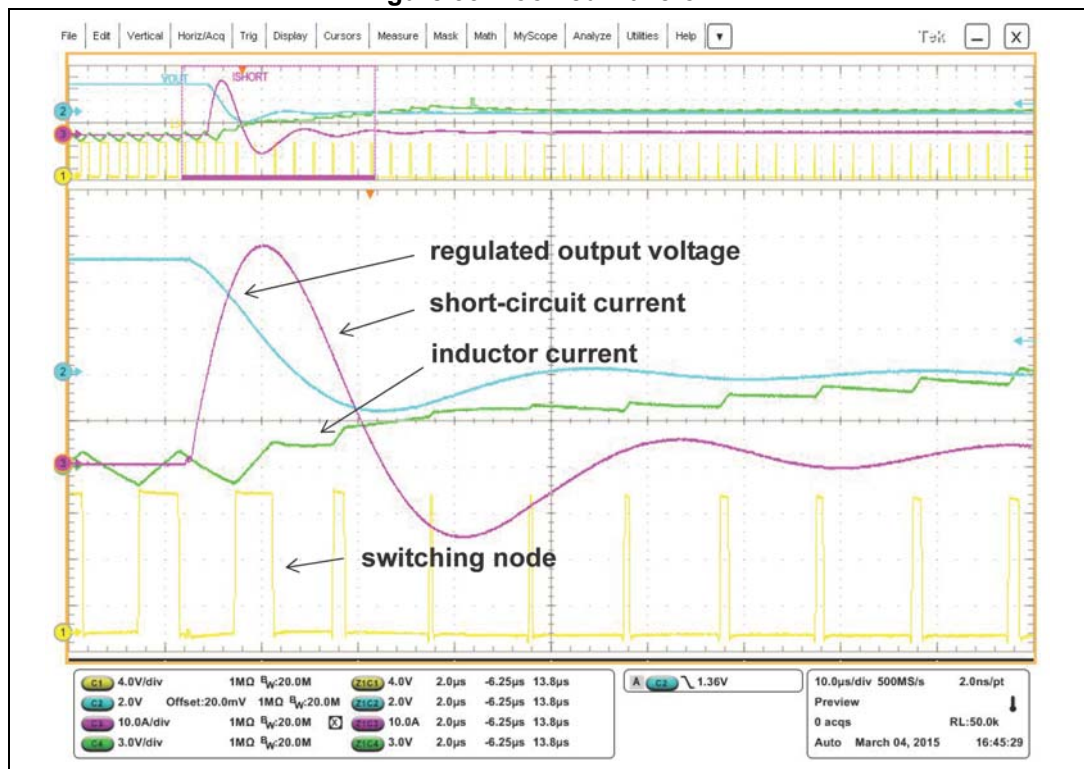


Figure 33. Zoomed waveform

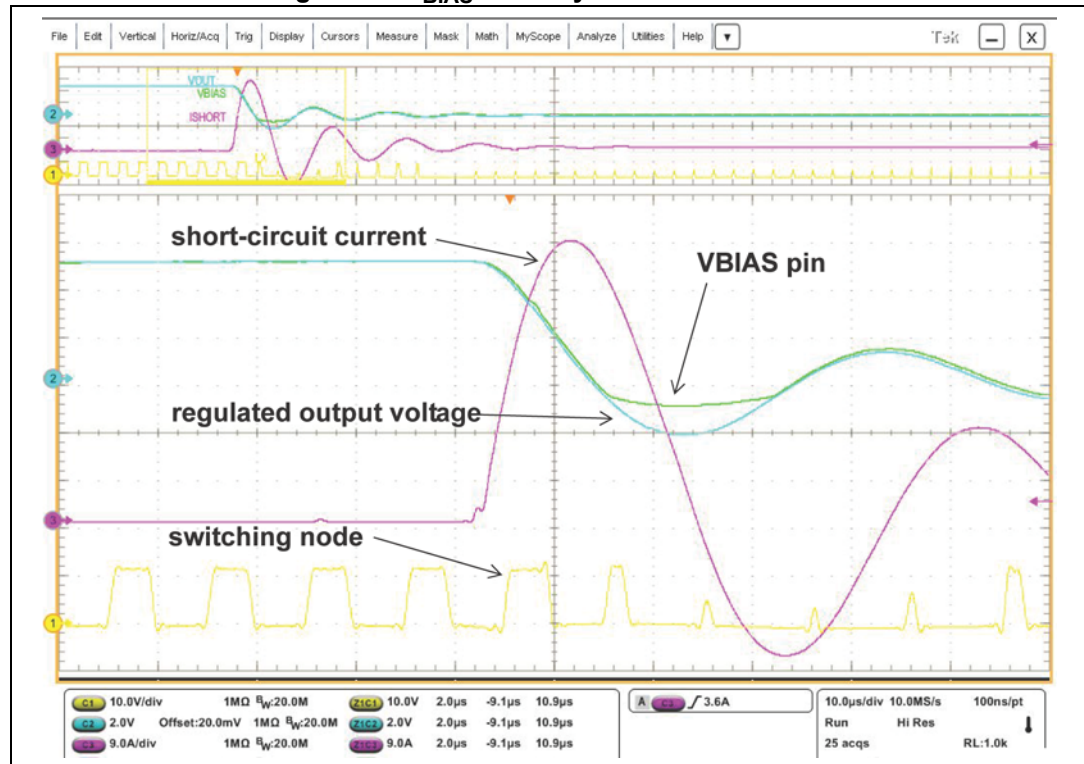


The V_{BIAS} pin absolute maximum ratings (see [Table 2: Absolute maximum ratings on page 6](#)) must be satisfied over the different dynamic conditions.

If the V_{BIAS} is connected to GND there are no issues (see [Figure 32](#) and [Figure 33](#)).

A small resistor value (few ohms) in series with the V_{BIAS} can help to limit the pin negative voltage (see [Figure 34](#)) during heavy short-circuit events if it is connected to the regulated output voltage.

Figure 34. V_{BIAS} in heavy short-circuit event



5.11 Overvoltage protection

The overvoltage protection monitors the FB pin and enables the low-side MOSFET to discharge the output capacitor if the output voltage is 20% over the nominal value.

This is a second level protection and should never be triggered in normal operating conditions if the system is properly dimensioned. In other words, the selection of the external power components and the dynamic performance determined by the compensation network should guarantee an output voltage regulation within the overvoltage threshold even during the worst case scenario in term of load transitions.

The protection is reliable and also able to operate even during normal load transitions for a system whose dynamic performance is not in line with the load dynamic request. As a consequence the output voltage regulation would be affected.

[Figure 35](#) shows the overvoltage operation during a negative steep load transient for a system designed with huge inductor value and small output capacitor. The inductor value limits the switch current slew rate and the extra charge flowing into the small capacitor value generates an overvoltage event. This can be considered as an example for a system with dynamic performance not in line with the load request.

The A6986F device implements a 1 A typ. negative current limitation to limit the maximum reversed switch current during the overvoltage operation.

Figure 35. Overvoltage operation

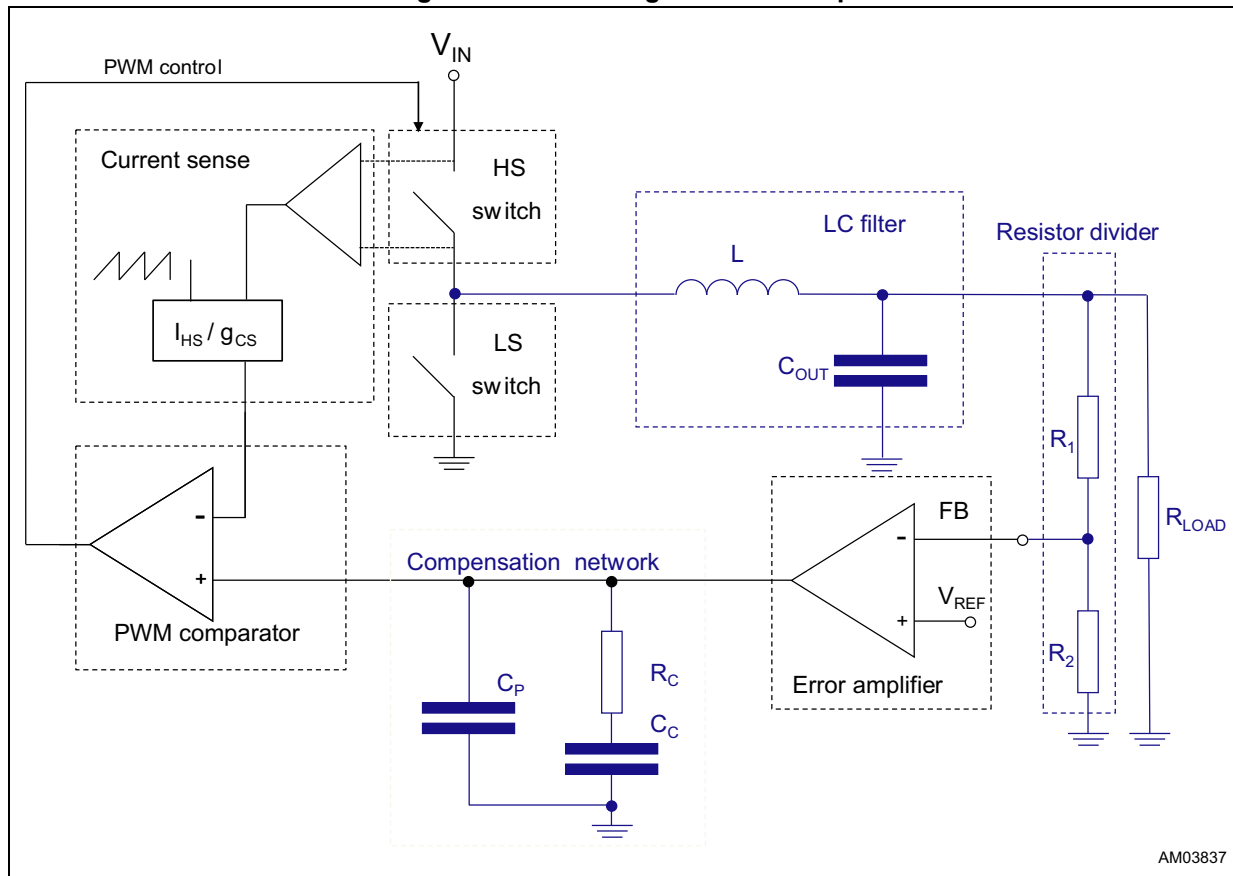


5.12 Thermal shutdown

The shutdown block disables the switching activity if the junction temperature is higher than a fixed internal threshold (165 °C typical). The thermal sensing element is close to the power elements, ensuring fast and accurate temperature detection. A hysteresis of approximately 30 °C prevents the device from turning ON and OFF continuously. When the thermal protection runs away a new soft-start cycle will take place.

6 Closing the loop

Figure 36. Block diagram of the loop



6.1 $G_{CO}(s)$ control to output transfer function

The accurate control to output transfer function for a buck peak current mode converter can be written as:

Equation 18

$$G_{CO}(s) = R_{LOAD} \cdot g_{CS} \cdot \frac{1}{1 + \frac{R_{LOAD} \cdot T_{SW}}{L} \cdot [m_C \cdot (1 - D) - 0.5]} \cdot \frac{\left(1 + \frac{s}{\omega_z}\right)}{\left(1 + \frac{s}{\omega_p}\right)} \cdot F_H(s)$$

where R_{LOAD} represents the load resistance, g_{CS} the equivalent sensing transconductance of the current sense circuitry, ω_p the single pole introduced by the power stage and ω_z the zero given by the ESR of the output capacitor.

$F_H(s)$ accounts the sampling effect performed by the PWM comparator on the output of the error amplifier that introduces a double pole at one half of the switching frequency.

Equation 19

$$\omega_z = \frac{1}{ESR \cdot C_{OUT}}$$

Equation 20

$$\omega_p = \frac{1}{R_{LOAD} \cdot C_{OUT}} + \frac{m_c \cdot (1-D) - 0.5}{L \cdot C_{OUT} \cdot f_{SW}}$$

where:

Equation 21

$$\begin{cases} m_c = 1 + \frac{S_e}{S_n} \\ S_e = V_{PP} \cdot g_{CS} \cdot f_{SW} \\ S_n = \frac{V_{IN} - V_{OUT}}{L} \end{cases}$$

S_n represents the on time slope of the sensed inductor current, S_e the on time slope of the external ramp (V_{PP} peak-to-peak amplitude) that implements the slope compensation to avoid sub-harmonic oscillations at duty cycle over 50%.

S_e can be calculated from the parameter $V_{PP} \cdot g_{CS}$ given in [Table 5 on page 8](#).

The sampling effect contribution $F_H(s)$ is:

Equation 22

$$F_H(s) = \frac{1}{1 + \frac{s}{\omega_n \cdot Q_p} + \frac{s^2}{\omega_n^2}}$$

where:

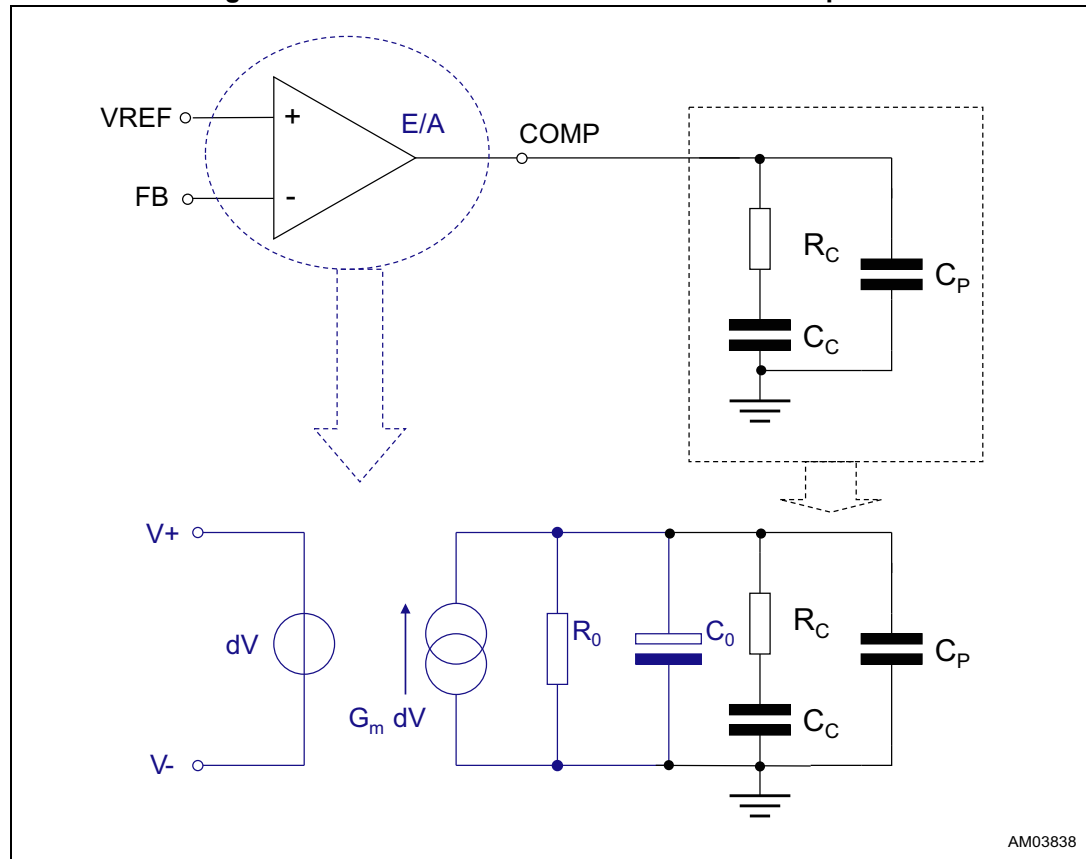
Equation 23

$$Q_p = \frac{1}{\pi \cdot [m_c \cdot (1-D) - 0.5]}$$

6.2 Error amplifier compensation network

The typical compensation network required to stabilize the system is shown in *Figure 37*.

Figure 37. Transconductance embedded error amplifier



R_C and C_C introduce a pole and a zero in the open loop gain. C_P does not significantly affect system stability but it is useful to reduce the noise at the output of the error amplifier.

The transfer function of the error amplifier and its compensation network is:

Equation 24

$$A_0(s) = \frac{A_{V0} \cdot (1 + s \cdot R_C \cdot C_C)}{s^2 \cdot R_0 \cdot (C_0 + C_P) \cdot R_C \cdot C_C + s \cdot (R_0 \cdot C_C + R_0 \cdot (C_0 + C_P) + R_C \cdot C_C) + 1}$$

Where $A_{V0} = G_m \cdot R_0$

The poles of this transfer function are (if $C_C \gg C_0 + C_P$):

Equation 25

$$f_{PLF} = \frac{1}{2 \cdot \pi \cdot R_0 \cdot C_C}$$

Equation 26

whereas the zero is defined as:

$$f_{PHF} = \frac{1}{2 \cdot \pi \cdot R_0 \cdot (C_0 + C_p)}$$

Equation 27

$$f_z = \frac{1}{2 \cdot \pi \cdot R_c \cdot C_c}$$

6.3 Voltage divider

The contribution of the internal voltage divider for fixed output voltage devices is:

Equation 28

$$G_{DIV}(s) = \frac{R_2}{R_1 + R_2} = \frac{V_{FB}}{V_{OUT}} = \frac{0.85}{3.3} = 0.2575 \quad \text{A6986F3V}$$

$$\frac{0.85}{5} = 0.17 \quad \text{A6986F5V}$$

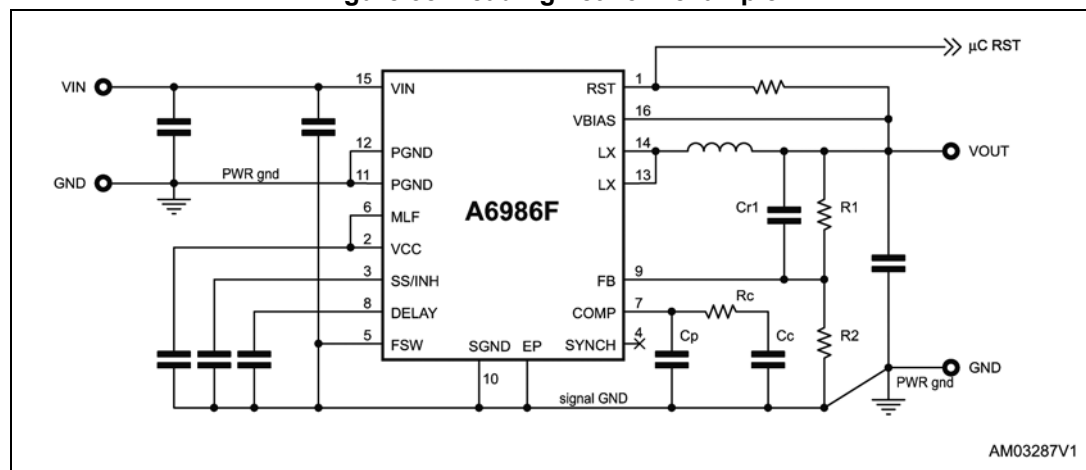
while adjustable output part number is:

Equation 29

$$G_{DIV}(s) = \frac{R_2}{R_1 + R_2}$$

A small signal capacitor in parallel to the upper resistor (see [Figure 38](#)) of the voltage divider implements a leading network ($f_{zero} < f_{pole}$), sometimes necessary to improve the system phase margin:

Figure 38. Leading network example



Laplace transformer of the leading network:

where:

$$G_{DIV}(s) = \frac{R_2}{R_1 + R_2} \cdot \frac{(1 + s + R_1 \cdot C_{R1})}{\left(1 + s \cdot \frac{R_1 \cdot R_2}{R_1 + R_2} \cdot C_{R1}\right)}$$

Equation 30

$$f_z = \frac{1}{2 \cdot \pi \cdot R_1 \cdot C_{R1}}$$

$$f_p = \frac{1}{2 \cdot \pi \cdot \frac{R_1 \cdot R_2}{R_1 + R_2} \cdot C_{R1}}$$

$$f_z < f_p$$

6.4 Total loop gain

In summary, the open loop gain can be expressed as:

Equation 31

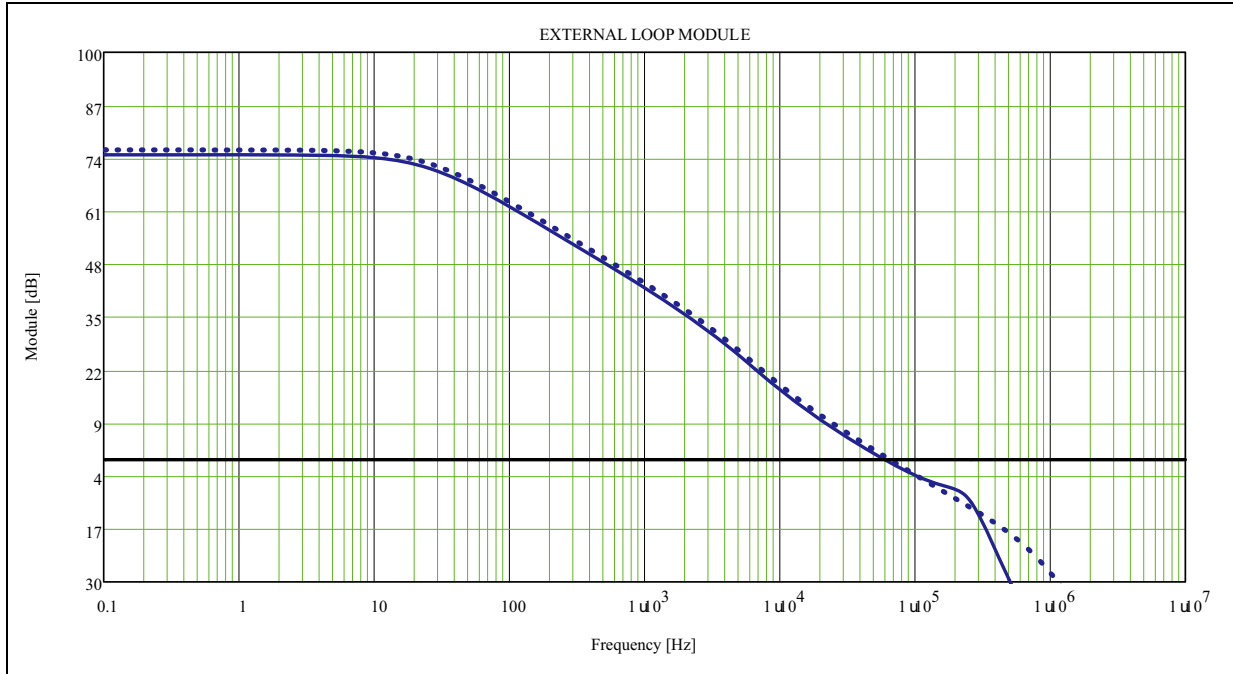
$$G(s) = G_{DIV}(s) \cdot G_{CO}(s) \cdot A_0(s)$$

Example 1

$$V_{IN} = 12 \text{ V}, V_{OUT} = 3.3 \text{ V}, R_{OUT} = 2.2 \Omega$$

Selecting $f_{SW} = 500\text{kHz}$, $L = 6.8 \mu\text{H}$, $C_{OUT} = 20\mu\text{F}$ and $\text{ESR} = 1 \text{ m}\Omega$, $R_C = 75 \text{ k}\Omega$, $C_C = 220 \text{ pF}$, $C_P = 2.2 \text{ pF}$ (please refer to [Table 18 on page 62](#)), the gain and phase bode diagrams are plotted respectively in [Figure 39](#) and [Figure 40](#).

Figure 39. Module plot

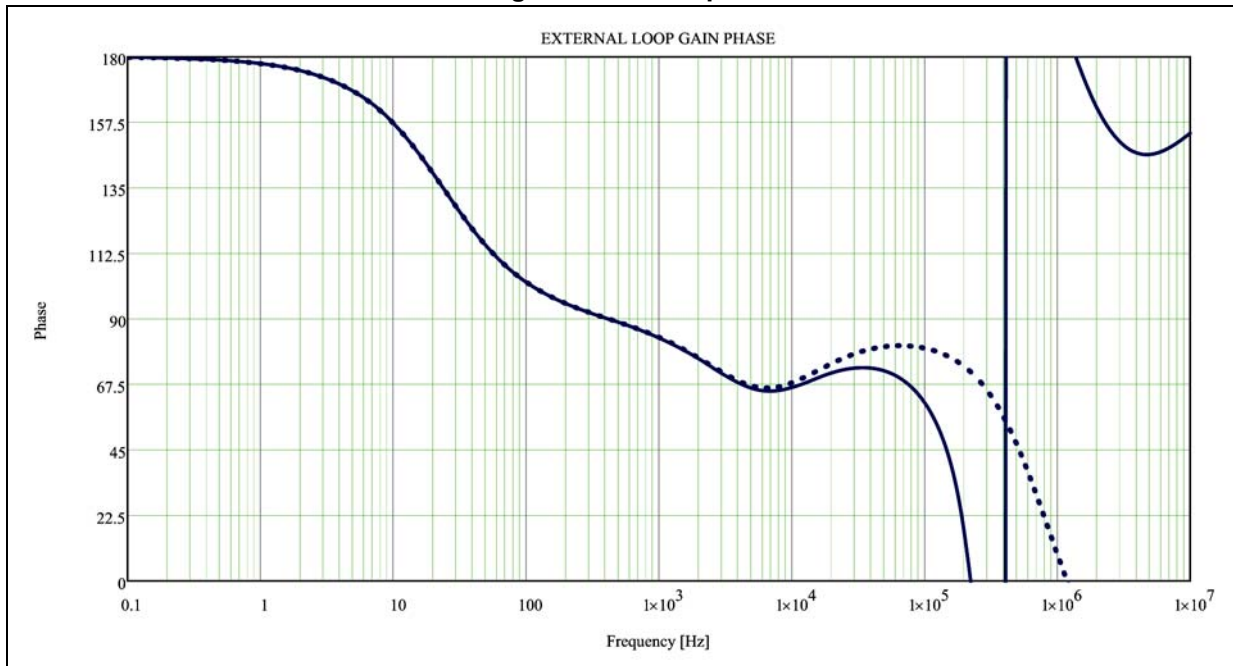


Equation 32

BW = 60kHz

phase margin = 70°

Figure 40. Phase plot



The blue solid trace represents the transfer function including the sampling effect term (see [Equation 22 on page 43](#)), the dotted blue trace neglects the contribution.

6.5 Compensation network design

The maximum bandwidth of the system can be designed up to $f_{SW}/6$ up to 150 kHz maximum to guarantee a valid small signal model.

Equation 33

Equation 34

$$R_C = \frac{2 \cdot \pi \cdot BW \cdot C_{OUT} \cdot V_{OUT}}{0.85V \cdot g_{CS} \cdot g_{m\ TYP}}$$

where:

Equation 35

$$f_{POLE} = \frac{\omega_p}{2 \cdot \pi}$$

ω_p is defined by [Equation 20 on page 43](#), g_{CS} represents the current sense transconductance (see [Table 5: Electrical characteristics on page 8](#)) and $g_{m\ TYP}$ the error amplifier transconductance.

Equation 36

$$C_C = \frac{5}{2 \cdot \pi \cdot R_C \cdot BW}$$

Example 2

Considering $V_{IN} = 12\text{ V}$, $V_{OUT} = 3.3\text{ V}$, $L = 6.8\mu\text{H}$, $C_{OUT} = 15\mu\text{F}$, $f_{SW} = 500\text{ kHz}$, $I_{OUT} = 1\text{ A}$. The maximum system bandwidth is 80 kHz. Assuming to design the compensation network to achieve a system bandwidth of 70 kHz:

Equation 37

$$f_{POLE} = 3.5\text{kHz}$$

Equation 38

$$R_{LOAD} = \frac{V_{OUT}}{I_{OUT}} = 3.3\Omega$$

so accordingly with [Equation 34](#) and [Equation 36](#):

Equation 39

$$R_C = 68\text{k}\Omega$$

Equation 40

$$C_C = 165\text{pF} \approx 180\text{pF}$$

The gain and phase bode diagrams are plotted respectively in [Figure 39](#) and [Figure 40](#).

Figure 41. Magnitude plot for *Example 2*

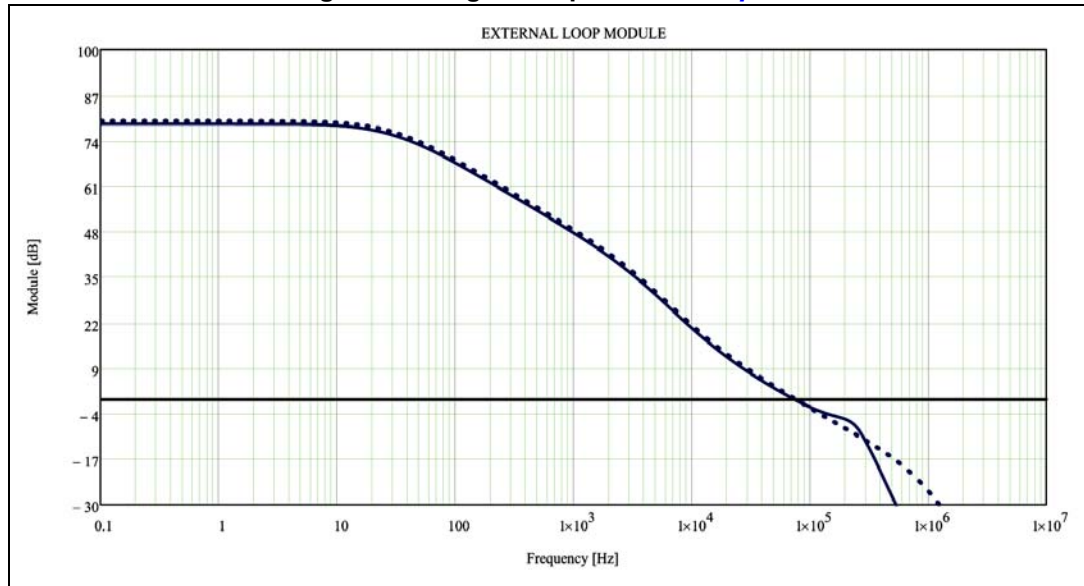
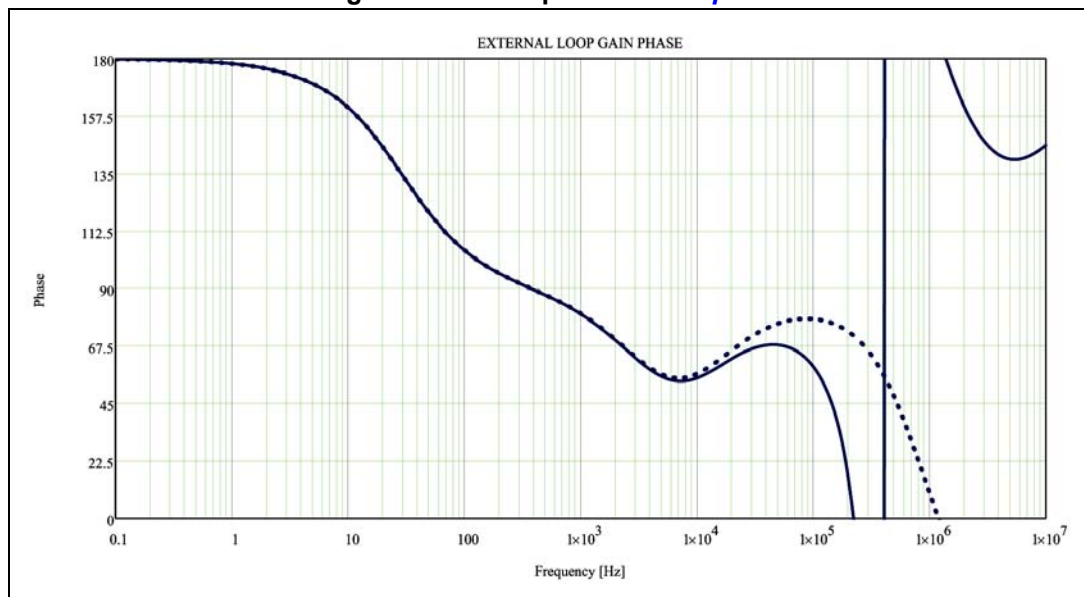


Figure 42. Phase plot for *Example 2*



7 Application notes

7.1 Output voltage adjustment

The error amplifier reference voltage is 0.85 V typical.

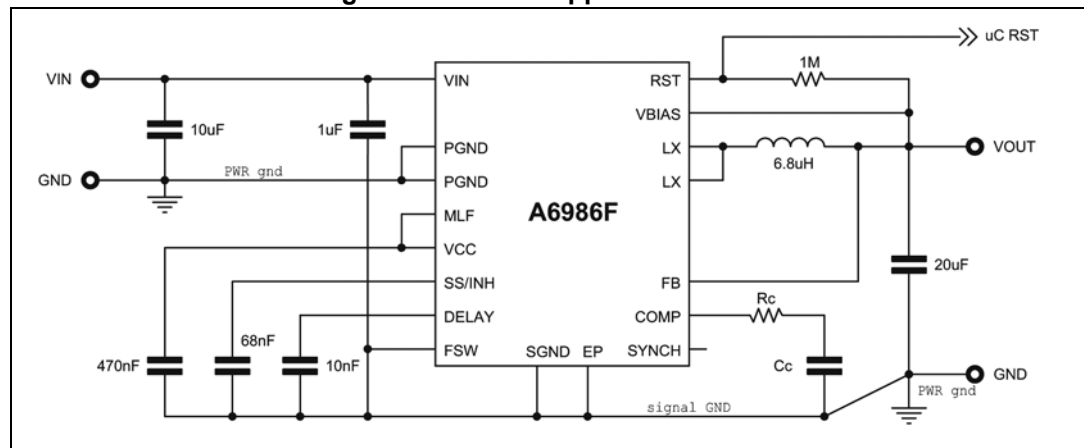
The output voltage is adjusted accordingly with [Equation 41](#) (see [Figure 43](#)):

Equation 41

$$V_{OUT} = 0.85 \cdot \left(1 + \frac{R_1}{R_2}\right)$$

C_{r1} capacitor is sometimes useful to increase the small signal phase margin (please refer to [Section 6.5: Compensation network design](#)).

Figure 43. A6986F application circuit



7.2 Switching frequency

A resistor connected to the FSW pin features the selection of the switching frequency. The pinstrapping is performed at power-up, before the soft-start takes place. The FSW pin is pinstrapped and then driven floating in order to minimize the quiescent current from VIN.

Please refer to [Table 6: \$f_{SW}\$ selection on page 11](#) to identify the pull-up / pull-down resistor value. $f_{SW} = 250$ kHz / $f_{SW} = 500$ kHz preferred codifications don't require any external resistor.

7.3 MLF pin

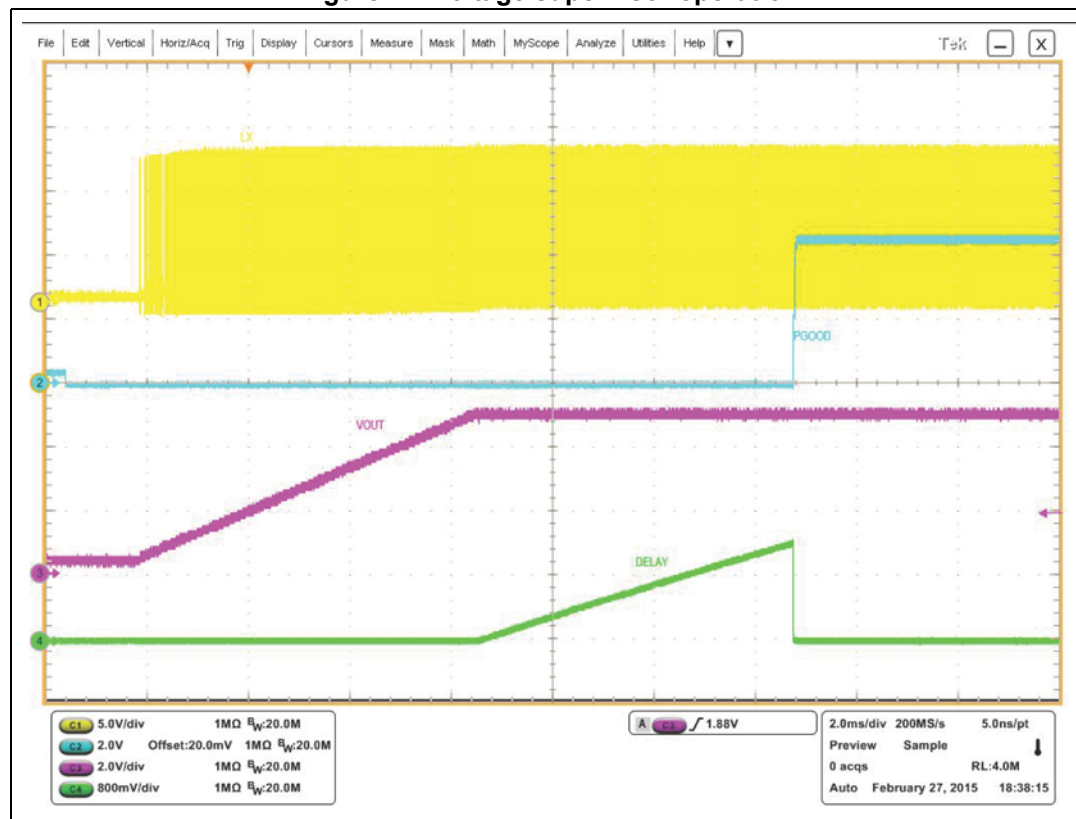
A resistor connected to the MLF pin features the selection of the between low noise mode / low consumption mode and the different RST thresholds. The pinstrapping is performed at power-up, before the soft-start takes place. The FSW pin is pinstrapped and then driven floating in order to minimize the quiescent current from VIN.

Please refer to [Table 7 on page 11](#), [Table 8 on page 12](#), and [Table 9 on page 12](#) to identify the pull-up / pull-down resistor value. (LNM, RST threshold 93%) / (LCM, RST threshold 93%) preferred codifications don't require any external resistor.

7.4 Voltage supervisor

The embedded voltage supervisor (composed of the RST and the DELAY pins) monitors the regulated output voltage and keeps the RST open collector output in low impedance as long as the V_{OUT} is out of regulation. In order to ensure a proper reset of digital devices with a valid power supply, the device can delay the RST assertion with a programmable time.

Figure 44. Voltage supervisor operation



The comparator monitoring the FB voltage has four different programmable thresholds (80%, 87%, 93%, 96% nominal output voltage) for high flexibility (see [Section 7.3: MLF pin on page 50](#), [Table 7 on page 11](#), [Table 8 on page 12](#), and [Table 9 on page 12](#)).

When the RST comparator detects the output voltage is in regulation, a $2\ \mu\text{A}$ internal current source starts to charge an external capacitor to implement a voltage ramp on the DELAY pin. The RST open collector is then released as soon as $V_{DELAY} = 1.234\ \text{V}$ (see [Figure 44](#)).

The C_{DELAY} is dimensioned accordingly with [Equation 42](#):

Equation 42

$$C_{DELAY} = \frac{I_{SSCH} \cdot T_{DELAY}}{V_{DELAY}} = \frac{2\ \mu\text{A} \cdot T_{DELAY}}{1.234\ \text{V}}$$

The maximum suggested capacitor value is 270 nF.

7.5 Synchronization (LNM)

Beating frequency noise is an issue when multiple switching regulators populate the same application board. The A6986F synchronization circuitry features the same switching frequency for a set of regulators simply connecting their SYNCH pin together, so preventing beating noise. The master device provides the synchronization signal to the others since the SYNCH pin is I/O able to deliver or recognize a frequency signal.

For proper synchronization of multiple regulators, all of them have to be configured with the same switching frequency (see [Table 6 on page 11](#)), so the same resistor connected at the FSW pin.

In order to minimize the RMS current flowing through the input filter, the A6986F device provides a phase shift of 180° between the master and the SLAVES. If more than two devices are synchronized, all slaves will have a common 180° phase shift with respect to the master.

Considering two synchronized A6986F which regulates the same output voltage (i.e.: operating with the same duty cycle), the input filter RMS current is optimized and is calculated as:

Equation 43

$$I_{\text{RMS}} = \begin{cases} \frac{I_{\text{OUT}}}{2} \cdot \sqrt{2D \cdot (1 - 2D)} & \text{if } D < 0.5 \\ \frac{I_{\text{OUT}}}{2} \cdot \sqrt{(2D - 1) \cdot (2 - 2D)} & \text{if } D > 0.5 \end{cases}$$

The graphical representation of the input RMS current of the input filter in the case of two devices with 0° phase shift (synchronized to an external signal) or 180° phase shift (synchronized connecting their SYNCH pins) regulating the same output voltage is provided in [Figure 45](#). To dimension the proper input capacitor please refer to [Section 7.6.1: Input capacitor selection on page 57](#).

Figure 45. Input RMS current

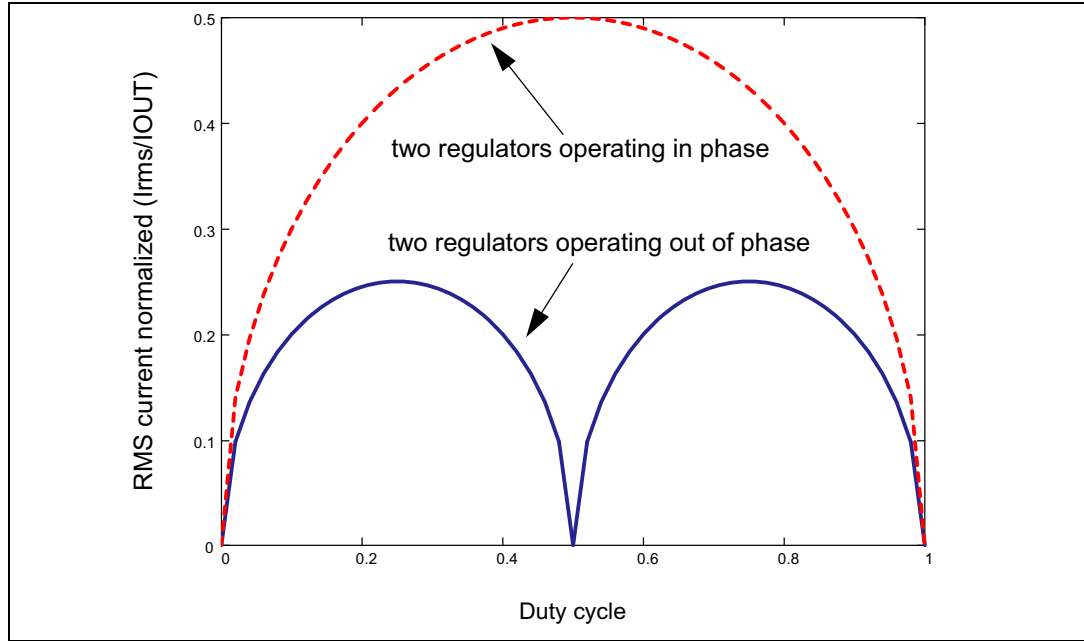


Figure 46 shows two regulators not synchronized.

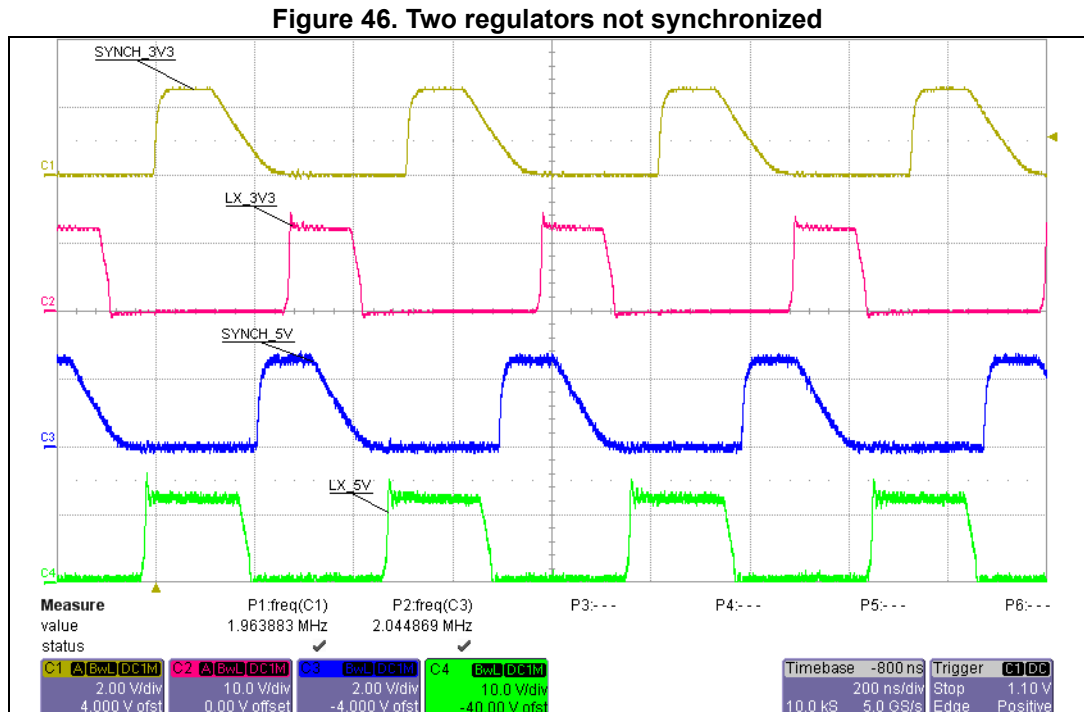
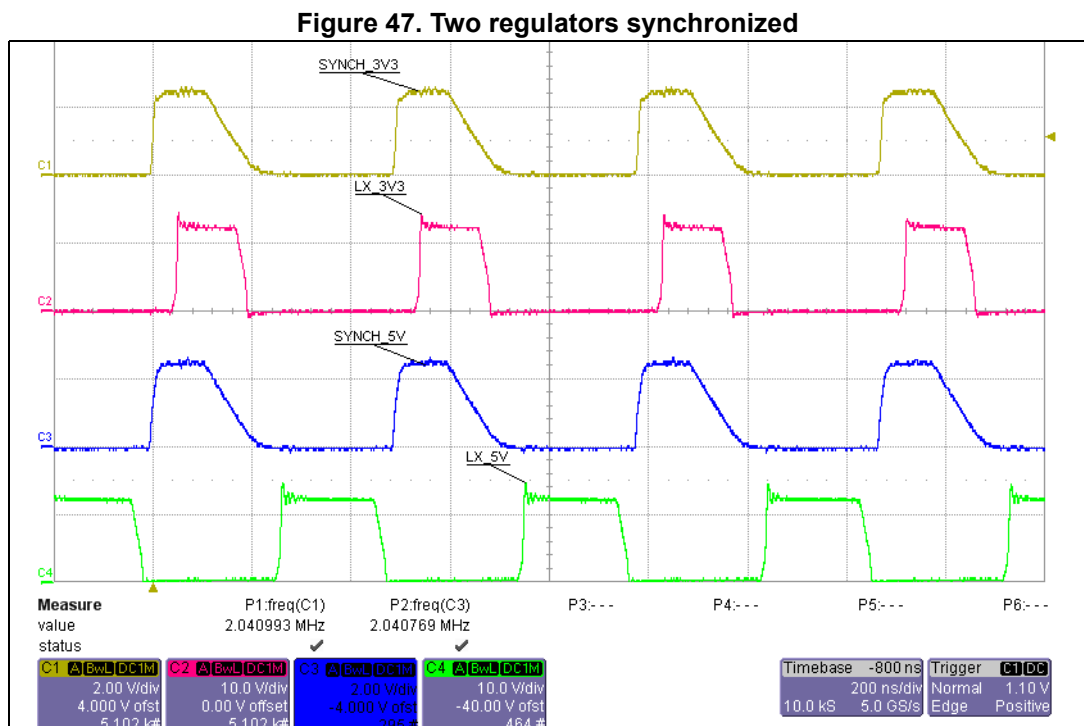


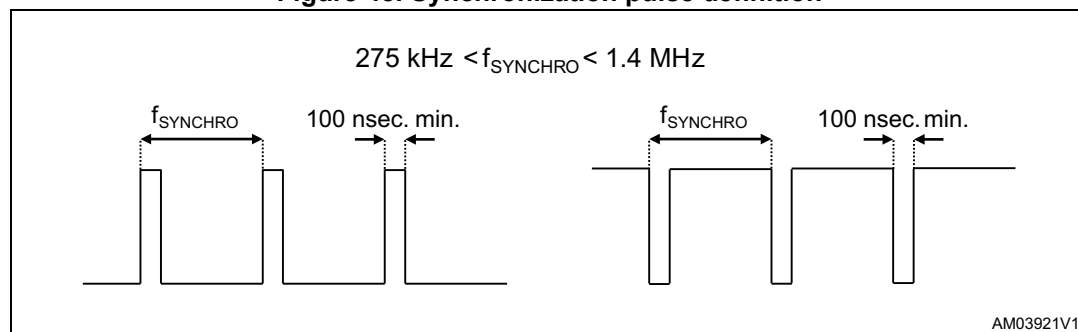
Figure 47 shows the same regulators working synchronized. The MASTER regulator (LX2 trace) delivers the synchronization signal (SYNCH1, SYNCH2 pins are connected together) to the SLAVE device (LX1). The SLAVE regulator works in phase with the synchronization signal which is out of phase with the MASTER switching operation.



Multiple A6986F can be synchronized to an external frequency signal fed to the SYNCH pin. In this case the regulator set is phased to the reference and all the devices will work with 0° phase shift.

The frequency range of the synchronization signal is 275 kHz - 1.4 MHz and the minimum pulse width is 100 nsec (see [Figure 48](#)).

Figure 48. Synchronization pulse definition

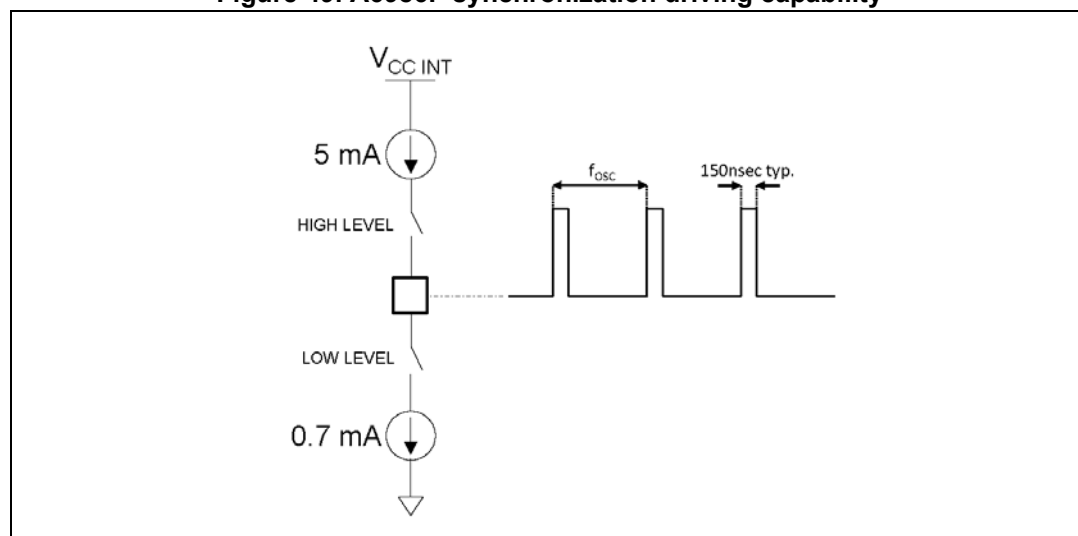


Since the slope compensation contribution that is required to prevent subharmonic oscillations in peak current mode architecture depends on the switching frequency, it is important to select the same oscillator frequency for all regulators (all of them operate as SLAVE) as close as possible to the frequency of the reference signal (please refer to [Table 6: \$f_{SW}\$ selection on page 11](#)). As a consequence all the regulators have the same resistor value connected to the FSW pin, so the slope compensation is optimized accordingly with the frequency of the synchronization signal. The slope compensation contribution is latched at power-up and so fixed during the device operation.

The A6986F normally operates in the MASTER mode, driving the SYNCH line at the selected oscillator frequency as shown in [Figure 49](#) and [Figure 46](#).

In the SLAVE mode the A6986F sets the internal oscillator at 250 kHz typ. (see [Table 6 on page 11](#) - first row) and drives the line accordingly.

Figure 49. A6986F synchronization driving capability



In order to safely guarantee that each regulator recognizes itself in SLAVE mode during the normal operation, the external master must drive the SYNCH pin with a clock signal

frequency higher than the maximum oscillator spread (refer to [Table 6 on page 11](#)) for at least 10 internal clock cycles.

For example: selecting $R_{FSW} = 0 \Omega$ to GND

Table 13. Example of oscillator frequency selection from [Table 6](#)

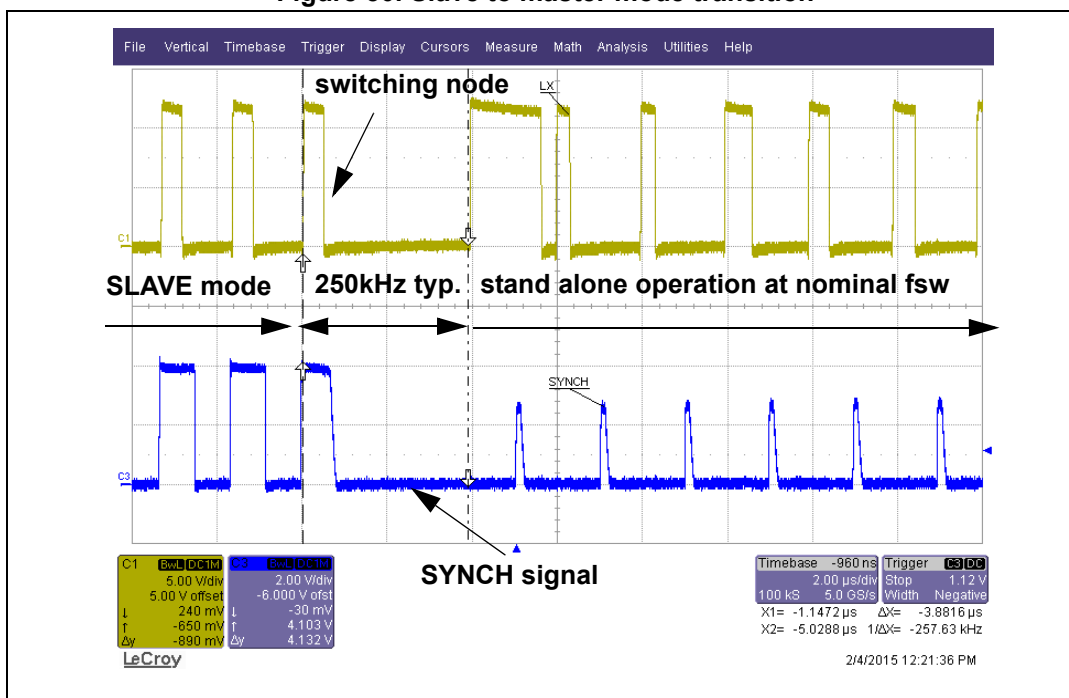
| Symbol | R_{VCC} (E24 series) | R_{GND} (E24 series) | f_{SW} min. | f_{SW} typ. | f_{SW} max. |
|----------|------------------------|------------------------|---------------|---------------|---------------|
| f_{SW} | NC | 0Ω | 450 | 500 | 550 |

the device enters in slave mode after 10 pulses at frequency higher than 550 kHz and so it is able to synchronize to a clock signal in the range 275 kHz - 1.4 MHz (see [Figure 48](#)).

Anyway it is suggested to limit the frequency range within $\pm 20\%$ FSW resistor nominal frequency (see details in text below). If not spread spectrum is required, all the regulators synchronize to a frequency higher to the maximum oscillator spread (550 kHz in the example).

The device keeps operating in slave mode as far as the master is able to drive the SYNCH pin faster than 275 kHz (maximum oscillator spread for 250 kHz oscillator), otherwise it goes back into MASTER mode at the nominal oscillator frequency after successfully driving one pulse at 250 kHz (see [Figure 50](#)) in the SYNCH line.

Figure 50. Slave to master mode transition

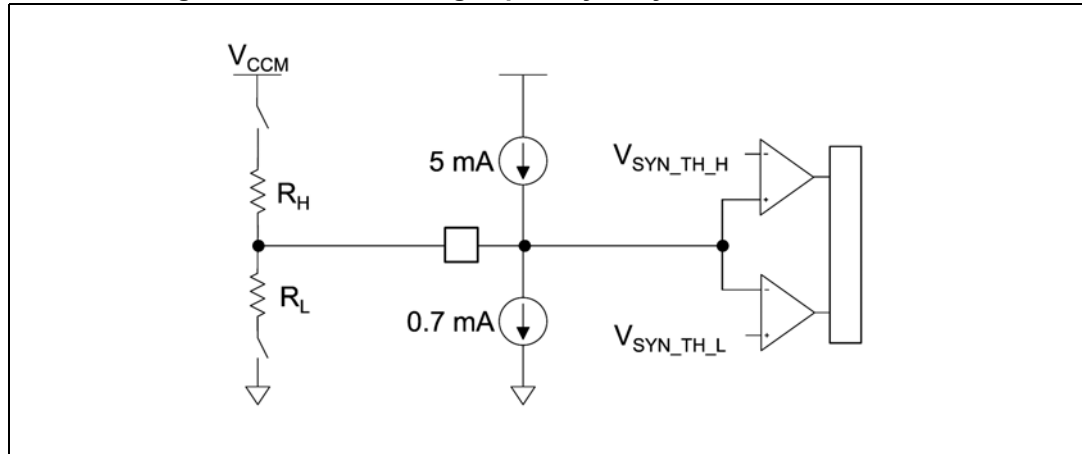


The external master can force a latched SLAVE mode driving the SYNCH pin low at power-up, before the soft-start starts the switching activity. So the oscillator frequency is 250 kHz typ. fixed until a new UVLO event is triggered regardless FSW resistor value, that otherwise counts to design the slope compensation. The same considerations above are also valid.

The master driving capability must be able to provide the proper signal levels at the SYNCH pin (see [Table 5 on page 8](#) - Synchronization section):

- Low level $< V_{\text{SYN_THL}} = 0.7 \text{ V}$ sinking 5 mA
- High level $> V_{\text{SYN_THH}} = 1.2 \text{ V}$ sourcing 0.7 mA

Figure 51. Master driving capability to synchronize the A6986F



As anticipated above, in SLAVE mode the internal oscillator operates at 250 kHz typ. but the slope compensation is dimensioned accordingly with FSW resistors so, even if the A6986F supports synchronization over the 275 kHz - 1.4 MHz frequency range, it is important to limit the switching operation around a working point close to the selected frequency (FSW resistor).

As a consequence, to guarantee the full output current capability and to prevent the subharmonic oscillations the master must limit the driving frequency range within $\pm 20\%$ of the selected frequency.

A wider frequency range may generate subharmonic oscillation for duty $> 50\%$ or limit the peak current capability (see I_{PK} parameter in [Table 5](#)) since the internal slope compensation signal may be saturated.

In order to guarantee the synchronization as a slave over distribution, temperature and the output load, the external clock frequency must be lower than 1.4 MHz.

7.6 Design of the power components

7.6.1 Input capacitor selection

The input capacitor voltage rating must be higher than the maximum input operating voltage of the application. During the switching activity a pulsed current flows into the input capacitor and so its RMS current capability must be selected accordingly with the application conditions. Internal losses of the input filter depends on the ESR value so usually low ESR capacitors (like multilayer ceramic capacitors) have higher RMS current capability. On the other hand, given the RMS current value, lower ESR input filter has lower losses and so contributes to higher conversion efficiency.

The maximum RMS input current flowing through the capacitor can be calculated as:

Equation 44

$$I_{RMS} = I_{OUT} \cdot \sqrt{\left(1 - \frac{D}{\eta}\right) \cdot \frac{D}{\eta}}$$

Where I_{OUT} is the maximum DC output current, D is the duty cycles, η is the efficiency. This function has a maximum at $D = 0.5$ and, considering $\eta = 1$, it is equal to $I_{OUT}/2$.

In a specific application the range of possible duty cycles has to be considered in order to find out the maximum RMS input current. The maximum and minimum duty cycles can be calculated as:

Equation 45

$$D_{MAX} = \frac{V_{OUT} + \Delta V_{LOW_SIDE}}{V_{INMIN} + \Delta V_{LOW_SIDE} - \Delta V_{HIGH_SIDE}}$$

Equation 46

$$D_{MIN} = \frac{V_{OUT} + \Delta V_{LOW_SIDE}}{V_{INMAX} + \Delta V_{LOW_SIDE} - \Delta V_{HIGH_SIDE}}$$

Where ΔV_{HIGH_SIDE} and ΔV_{LOW_SIDE} are the voltage drops across the embedded switches. The peak-to-peak voltage across the input filter can be calculated as:

Equation 47

$$V_{PP} = \frac{I_{OUT}}{C_{IN} \cdot f_{SW}} \cdot \left(1 - \frac{D}{\eta}\right) \cdot \frac{D}{\eta} + ESR \cdot (I_{OUT} + \Delta I_L)$$

In case of negligible ESR (MLCC capacitor) the equation of C_{IN} as a function of the target V_{PP} can be written as follows:

Equation 48

$$C_{IN} = \frac{I_{OUT}}{V_{PP} \cdot f_{SW}} \cdot \left(1 - \frac{D}{\eta}\right) \cdot \frac{D}{\eta}$$

Considering $\eta = 1$ this function has its maximum in $D = 0.5$:

Equation 49

$$C_{INMIN} = \frac{I_{OUT}}{4 \cdot V_{PPMAX} \cdot f_{SW}}$$

Typically C_{IN} is dimensioned to keep the maximum peak-peak voltage across the input filter in the order of 5% V_{IN_MAX} .

Table 14. Input capacitors

| Manufacturer | Series | Size | Cap value (μF) | Rated voltage (V) |
|--------------|-----------------|------|----------------|-------------------|
| TDK | C3225X7S1H106M | 1210 | 10 | 50 |
| | C3216X5R1H106M | 1206 | - | - |
| Taiyo Yuden | UMK325BJ106MM-T | 1210 | - | - |

7.6.2 Inductor selection

The inductor current ripple flowing into the output capacitor determines the output voltage ripple (please refer to [Section 7.6.3](#)). Usually the inductor value is selected in order to keep the current ripple lower than 20% - 40% of the output current over the input voltage range. The inductance value can be calculated by [Equation 50](#):

Equation 50

$$\Delta I_L = \frac{V_{IN} - V_{OUT}}{L} \cdot T_{ON} = \frac{V_{OUT}}{L} \cdot T_{OFF}$$

Where T_{ON} and T_{OFF} are the on and off time of the internal power switch. The maximum current ripple, at fixed V_{OUT} , is obtained at maximum T_{OFF} that is at minimum duty cycle (see [Section 7.6.1: Input capacitor selection](#) to calculate minimum duty). So fixing $\Delta I_L = 20\%$ to 40% of the maximum output current, the minimum inductance value can be calculated:

Equation 51

$$L_{MIN} = \frac{V_{OUT}}{\Delta I_{LMAX}} \cdot \frac{1 - D_{MIN}}{F_{SW}}$$

where f_{SW} is the switching frequency $1/(T_{ON} + T_{OFF})$.

For example for $V_{OUT} = 3.3$ V, $V_{IN} = 12$ V, $I_{OUT} = 2$ A and $F_{SW} = 500$ kHz the minimum inductance value to have $\Delta I_L = 30\%$ of I_{OUT} is about 8.2 μH.

The peak current through the inductor is given by:

Equation 52

$$I_{L,PK} = I_{OUT} + \frac{\Delta I_L}{2}$$

So if the inductor value decreases, the peak current (that has to be lower than the current limit of the device) increases. The higher is the inductor value, the higher is the average output current that can be delivered, without reaching the current limit.

In [Table 15](#) some inductor part numbers are listed.

Table 15. Inductors

| Manufacturer | Series | Inductor value (μH) | Saturation current (A) |
|--------------|---------|---------------------|------------------------|
| Coilcraft | XAL50xx | 2.2 to 22 | 6.5 to 2.7 |
| - | XAL60xx | 2.2 to 22 | 12.5 to 4 |

7.6.3 Output capacitor selection

The triangular shape current ripple (with zero average value) flowing into the output capacitor gives the output voltage ripple, that depends on the capacitor value and the equivalent resistive component (ESR). As a consequence the output capacitor has to be selected in order to have a voltage ripple compliant with the application requirements.

The voltage ripple equation can be calculated as:

Equation 53

$$\Delta V_{OUT} = ESR \cdot \Delta I_{LMAX} + \frac{\Delta I_{LMAX}}{8 \cdot C_{OUT} \cdot f_{SW}}$$

Usually the resistive component of the ripple can be neglected if the selected output capacitor is a multi layer ceramic capacitor (MLCC).

The output capacitor is important also for loop stability: it determines the main pole and the zero due to its ESR. (see [Section 6: Closing the loop on page 42](#) to consider its effect in the system stability).

For example with $V_{OUT} = 3.3 \text{ V}$, $V_{IN} = 12 \text{ V}$, $\Delta I_L = 0.6 \text{ A}$, $f_{SW} = 500 \text{ kHz}$ (resulting by the inductor value) and $C_{OUT} = 10 \text{ }\mu\text{F}$ MLCC:

Equation 54

$$\frac{\Delta V_{OUT}}{V_{OUT}} \cong \frac{1}{V_{OUT}} \cdot \frac{\Delta I_{LMAX}}{C_{OUT} \cdot f_{SW}} = \left(\frac{1}{33} \cdot \frac{0,6}{8 \cdot 10\mu\text{F} \cdot 500\text{kHz}} \right) = \frac{15\text{mV}}{3.3} = 0.45\%$$

The output capacitor value has a key role to sustain the output voltage during a steep load transient. When the load transient slew rate exceeds the system bandwidth, the output capacitor provides the current to the load. In case the final application specifies high slew rate load transient, the system bandwidth must be maximized and the output capacitor has to sustain the output voltage for time response shorter than the loop response time.

In [Table 16](#) some capacitor series are listed.

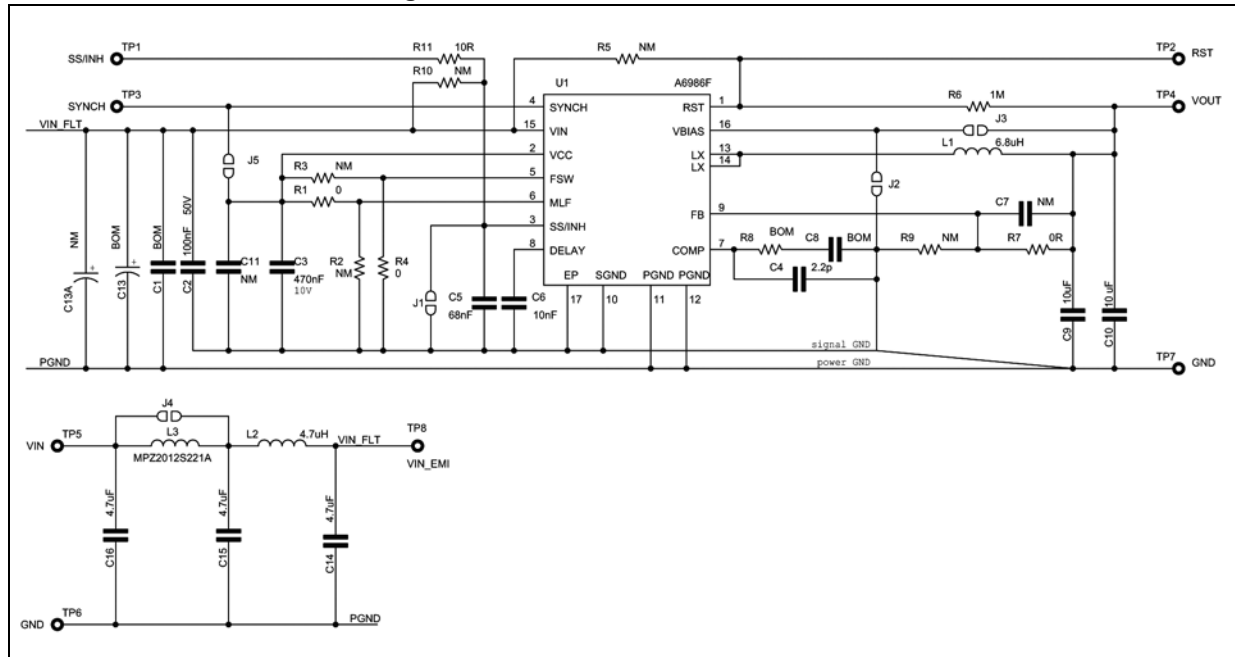
Table 16. Output capacitors

| Manufacturer | Series | Cap value (μF) | Rated voltage (V) | ESR ($\text{m}\Omega$) |
|--------------|---------|-----------------------------|-------------------|--------------------------|
| MURATA | GRM32 | 22 to 100 | 6.3 to 25 | < 5 |
| | GRM31 | 10 to 47 | 6.3 to 25 | < 5 |
| PANASONIC | ECJ | 10 to 22 | 6.3 | < 5 |
| | EEFCD | 10 to 68 | 6.3 | 15 to 55 |
| SANYO | TPA/B/C | 100 to 470 | 4 to 16 | 40 to 80 |
| TDK | C3225 | 22 to 100 | 6.3 | < 5 |

8 Application board

The reference evaluation board schematic is shown in [Figure 52](#).

Figure 52. Evaluation board schematic



The additional input filter (C16, L3, C15, L2, C14) limits the conducted emission on the power supply (refer to [Section 10 on page 69](#)).

Table 17. Bill of material (communal parts)

| Reference | Part number | Description | Manufacturer |
|-----------------|-----------------|--|--------------|
| C1, C9, C10 | CGA5L3X5R1H106K | 10 μ F - 1206 - 50 V - X5R - 10% | TDK |
| C2 | C2012X7S2A105K | 1 μ F - 0805 - 50 V - X7S - 10% | TDK |
| C3 | - | 470 nF - 50 V - 0603 | - |
| C4, C7, C8 | - | See Table 18 / Table 19 / Table 20 | - |
| C5 | - | 68 nF - 50 V - 0603 | - |
| C6 | - | 10 nF - 50 V - 0603 | - |
| C14, C15, C16 | C3216X7R1H475K | 4.7 μ F - 1206 - 50 V - X7R - 10% | TDK |
| C11, C13, C13A | - | Not mounted | - |
| R1, R4 | - | 0 Ω - 0603 | - |
| R6 | - | 1 M Ω - 1%- 0603 | - |
| R7, R8, R9 | - | See Table 18 / Table 19 / Table 20 | - |
| R11 | - | 10 Ω - 1% - 0603 | - |
| R2, R3, R5, R10 | - | Not mounted | - |

Table 17. Bill of material (communal parts) (continued)

| Reference | Part number | Description | Manufacturer |
|-----------|----------------|--|--------------|
| L1 | XAL5050-682MEC | 6.8 μ H | Coilcraft |
| L2 | XAL4030-472MEC | 4.7 μ H | Coilcraft |
| L3 | MPZ2012S221A | EMC bead | TDK |
| J1 | Open | - | - |
| J2 | Open | - | - |
| J3 | - | See Table 18 / Table 19 / Table 20 | - |
| J4 | Open | - | - |
| J5 | - | To adjust the ISKIP current level in LCM operation. Leave open in LNM | - |
| U1 | A6986F 3V3 | 3.3 V internal divider | STM |

Table 18. A6986F 3V3 demonstration board BOM

| Reference | Part number | Description | Manufacturer |
|-----------|----------------|---------------------------|--------------|
| R7 | - | 0 R - 0603 | - |
| R9, C7 | - | Not mounted | - |
| R8 | - | 75 k Ω - 1% - 0603 | - |
| C8 | - | 220 pF - 50 V - 0603 | - |
| C4 | - | 2.2 pF - 50 V - 0603 | - |
| J3 | Closed | Switchover enabled | - |
| L1 | XAL4030-682MEC | 6.8 μ H | Coilcraft |
| U1 | A6986F 3V3 | 3.3 V internal divider | STM |

Table 19. A6986F 5V demonstration board BOM

| Reference | Part number | Description | Manufacturer |
|-----------|----------------|----------------------------|--------------|
| R7 | - | 0 R - 0603 | - |
| R9, C7 | - | Not mounted | - |
| R7 | - | 0 Ω - 0603 | - |
| R8 | - | 110 k Ω - 1% - 0603 | - |
| C8 | - | 150 pF - 50 V - 0603 | - |
| C4 | - | 2.2 pF - 50 V - 0603 | - |
| J3 | Closed | Switchover enabled | - |
| L1 | XAL4030-682MEC | 6.8 μ H | Coilcraft |
| U1 | A6986F 5V | 5 V internal divider | STM |

Table 20. A6986F adj. demonstration board BOM

| Reference | Part number | Description | Manufacturer |
|-----------|----------------|----------------------|--------------|
| R7 | - | 200 kΩ - 1% - 0603 | - |
| C7 | - | 3.3 pF - 50 V - 0603 | - |
| R9 | - | 33 kΩ - 1% - 0603 | - |
| R8 | - | 180 kΩ - 1% - 0603 | - |
| C8 | - | 62 pF - 50 V - 0603 | - |
| C4 | - | 2.2 pF - 50 V - 0603 | - |
| J3 | OPEN | Switchover enabled | - |
| L1 | XAL4040-103MEC | 10 μH | Coilcraft |
| U1 | A6986F | External divider | STM |

For [Table 18](#) Bode's plot please refer to [Section 6.4 on page 46](#).

[Figure 53](#) and [Figure 54](#) show the magnitude and phase margin Bode's plots related to [Table 19](#).

The small signal dynamic performance in this configuration is:

Equation 55

$$BW = 57\text{kHz}$$

$$\text{phase margin} = 70^\circ$$

Figure 53. Magnitude Bode's plot

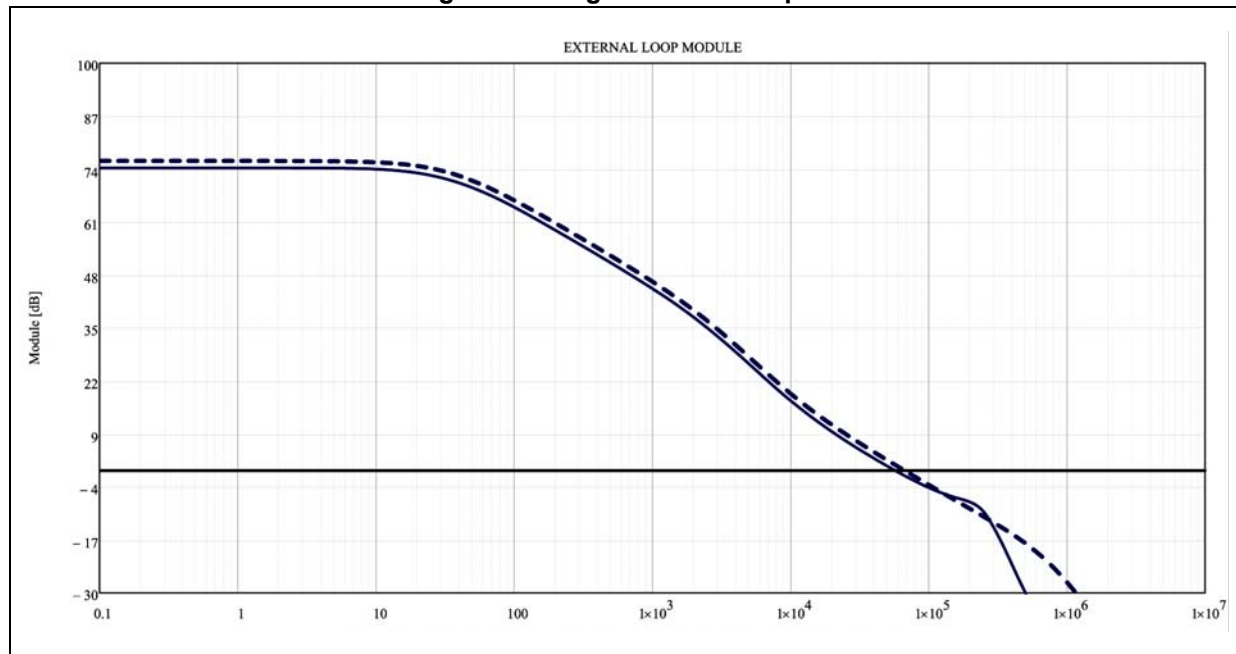


Figure 54. Phase margin Bode's plot

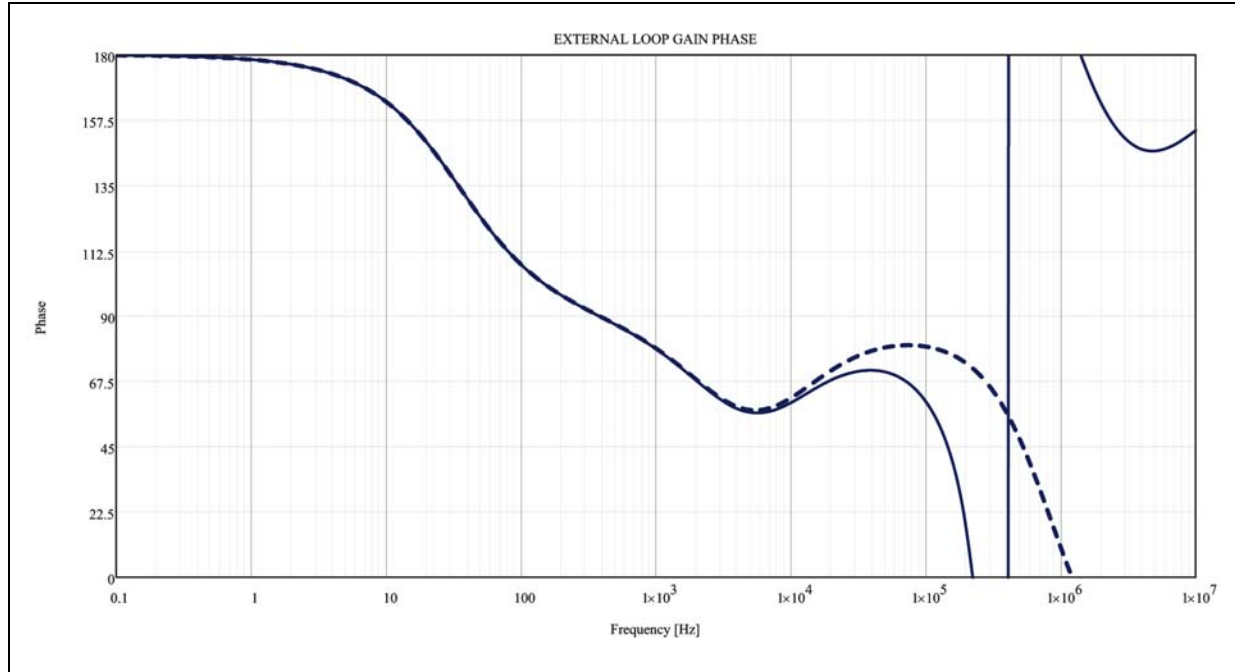


Figure 55. Top layer

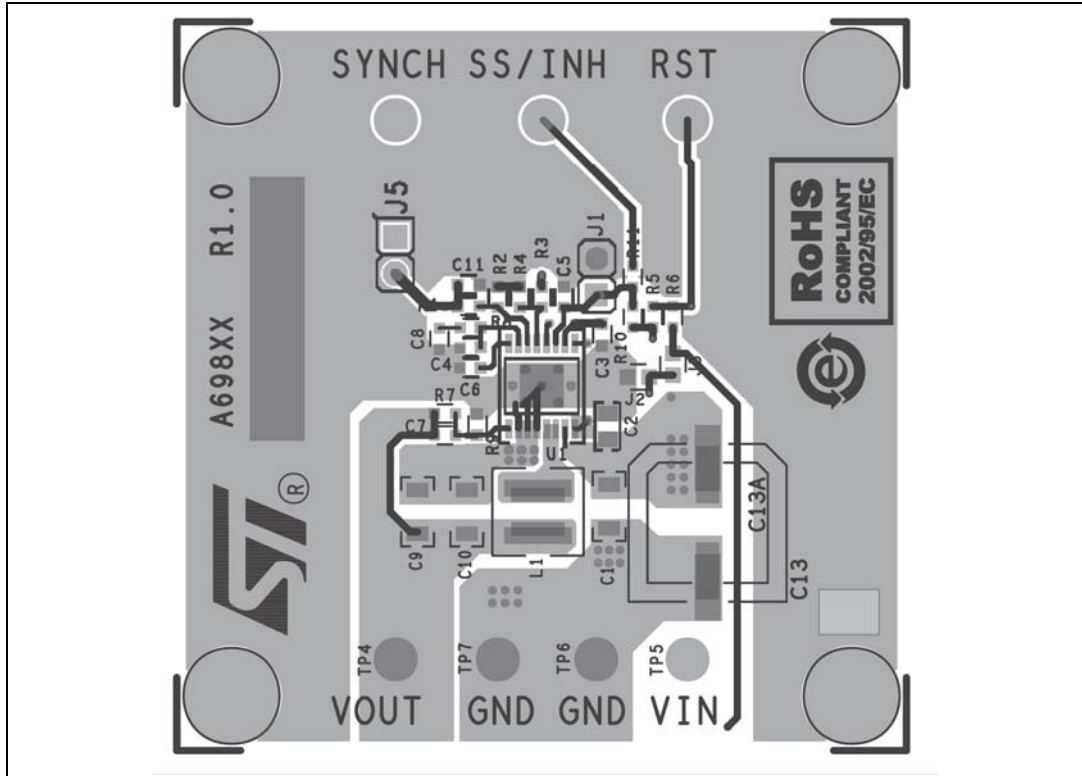
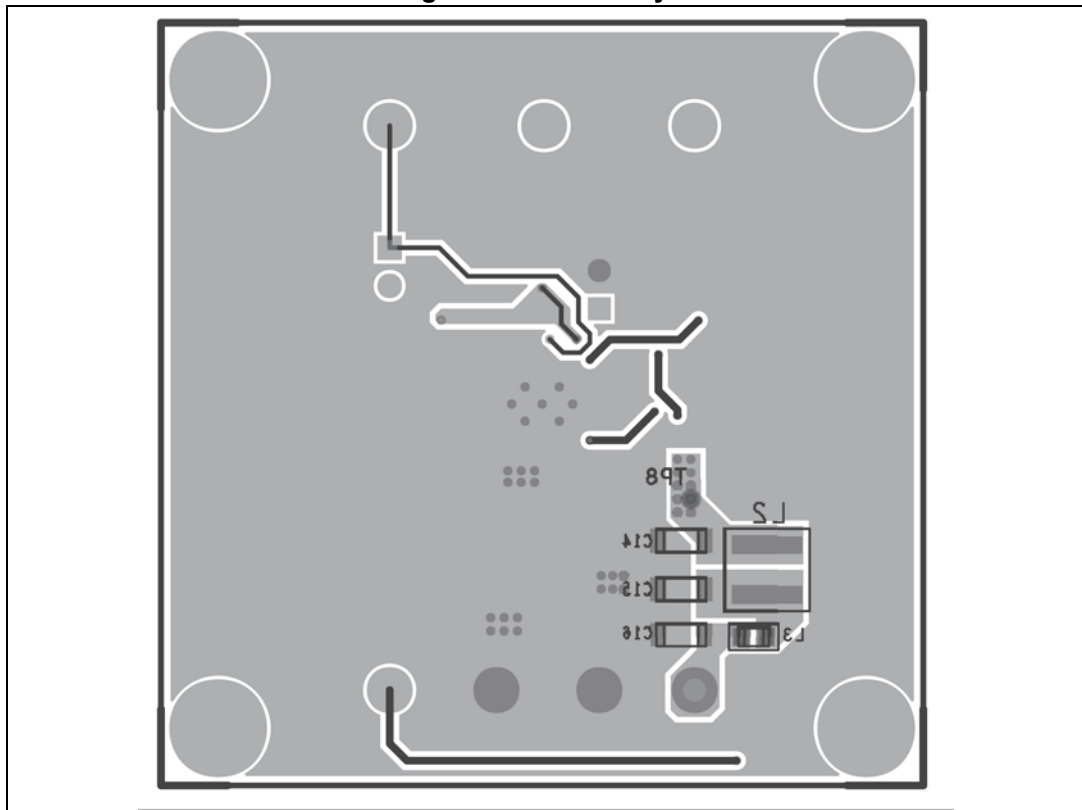


Figure 56. Bottom layer



9 Efficiency curves

Figure 57. Efficiency: $V_{IN} = 13.5\text{ V} - V_{OUT} = 3.3\text{ V} - f_{sw} = 500\text{ kHz}$

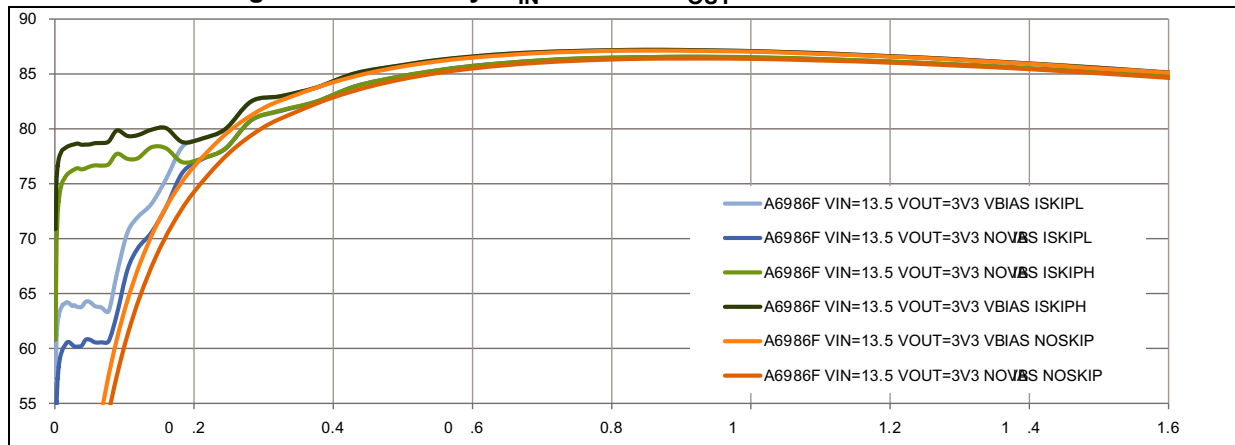


Figure 58. Efficiency curves: $V_{IN} = 13.5\text{ V} - V_{OUT} = 3.3\text{ V} - f_{sw} = 500\text{ kHz}$ (log scale)

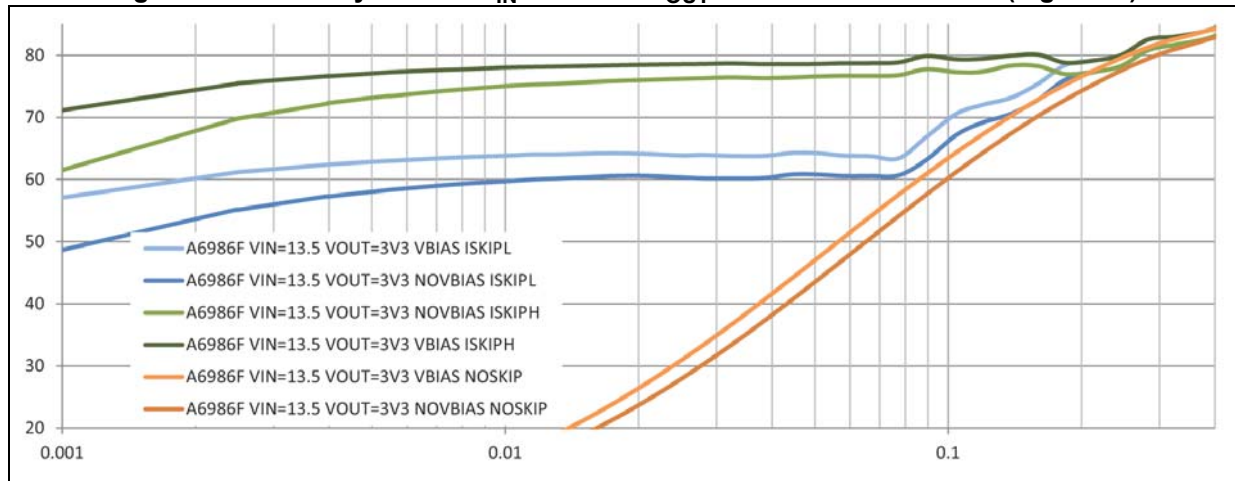


Figure 59. Efficiency curves: $V_{IN} = 13.5\text{ V} - V_{OUT} = 5\text{ V} - f_{sw} = 500\text{ kHz}$

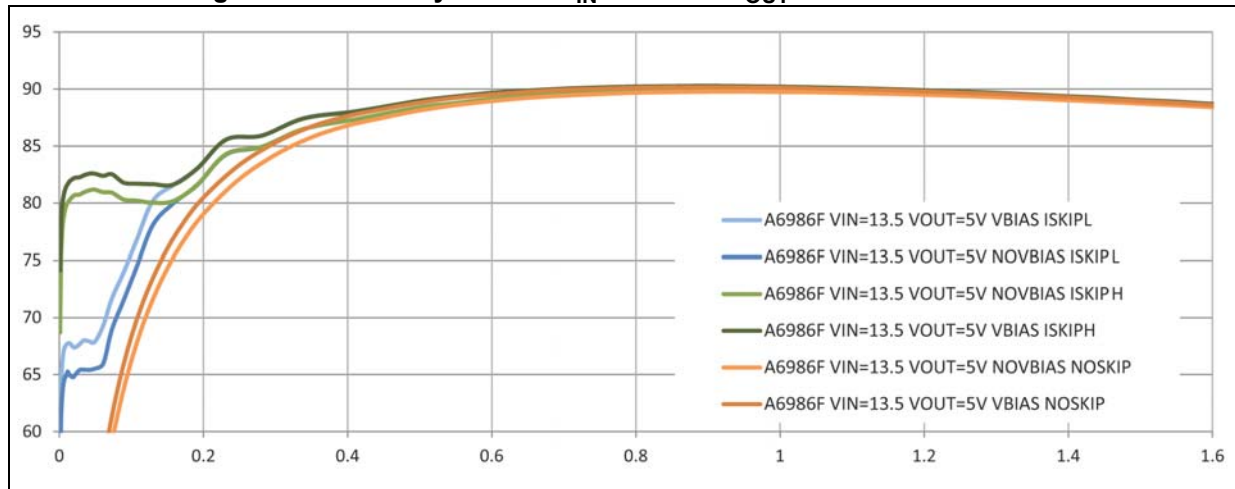


Figure 60. Efficiency curves: $V_{IN} = 13.5\text{ V}$ - $V_{OUT} = 5\text{ V}$ - $f_{sw} = 500\text{ kHz}$ (log scale)

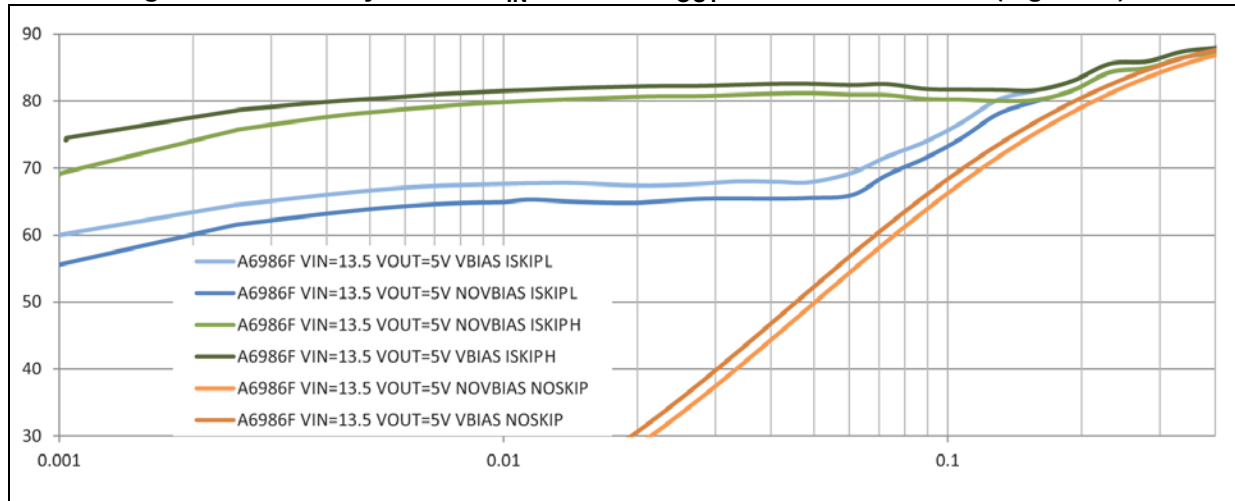


Figure 61. Efficiency curves: $V_{IN} = 24\text{ V}$ - $V_{OUT} = 3.3\text{ V}$ - $f_{sw} = 500\text{ kHz}$

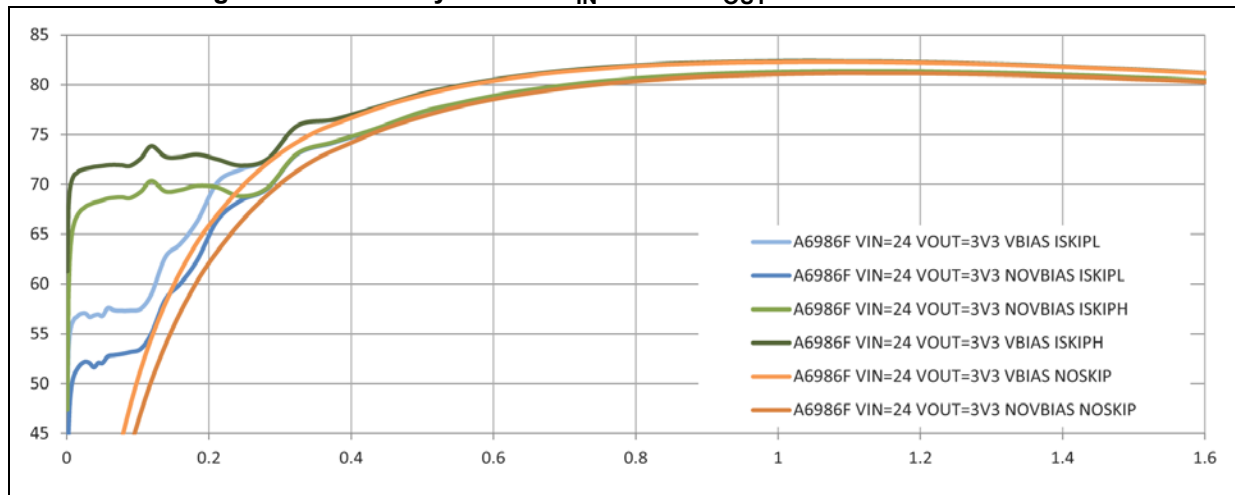


Figure 62. Efficiency curves: $V_{IN} = 24\text{ V}$ - $V_{OUT} = 3.3\text{ V}$ - $f_{sw} = 500\text{ kHz}$ (log scale)

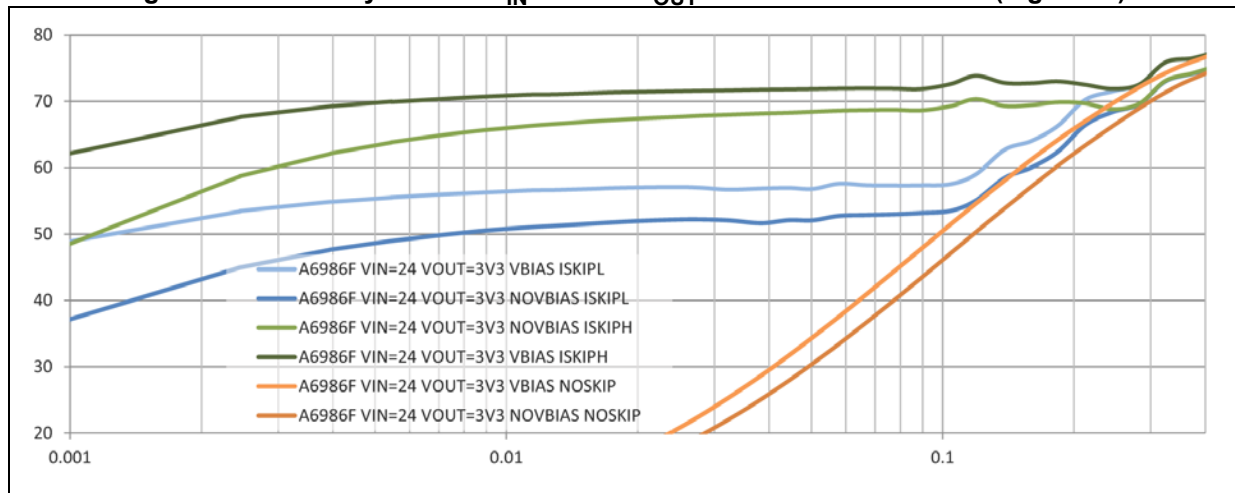


Figure 63. Efficiency curves: $V_{IN} = 24\text{ V}$ - $V_{OUT} = 5\text{ V}$ - $f_{sw} = 500\text{ kHz}$

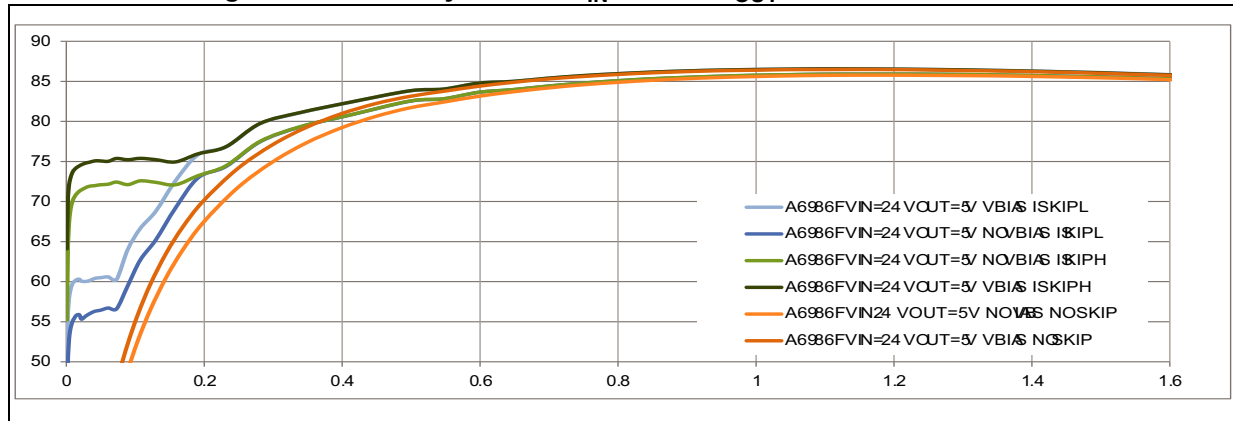
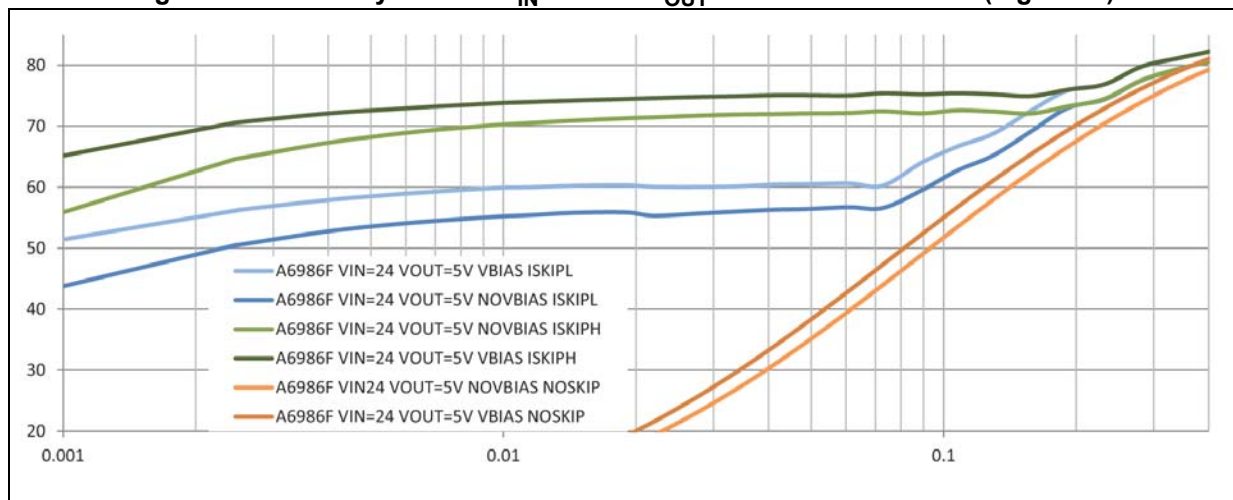


Figure 64. Efficiency curves: $V_{IN} = 24\text{ V}$ - $V_{OUT} = 5\text{ V}$ - $f_{sw} = 500\text{ kHz}$ (log scale)



10 EMC testing results

This section reports EMC testing results for the A6986F evaluation board (see [Section 8 on page 61](#)) accordingly with the following test methods:

- CE 150R for conducted emission
- DP for conducted immunity

All the measurement were performed at $I_{LOAD} = 10\%$ and 80% as defined in [Table 23](#).

Table 21. CE 150R test method

| | Conducted emission, CE 150R | |
|-----------------|------------------------------------|----------------|
| Frequency range | 150 kHz - 30 MHz | 30 MHz - 1 GHz |
| Bandwidth | 9 kHz | 120 kHz |
| Step size | 5 kHz | 60 kHz |
| Dwell time | 2 complete software cycles minimum | |
| Detectors | Peak + average | |

Table 22. DPI test method

| | Conducted immunity, DPI | | | | | | |
|--------------------|--|-----------------|----------------|------------------|-------------------|-------------------|-----------------|
| Frequency range | 10 kHz - 150 kHz | 150 kHz - 1 MHz | 1 MHz - 10 MHz | 10 MHz - 100 MHz | 100 MHz - 200 MHz | 200 MHz - 400 MHz | 400 MHz - 1 GHz |
| Step size (linear) | 10 kHz | 100 kHz | 500 kHz | 1 MHz | 2 MHz | 4 MHz | 10 MHz |
| Dwell time | 2 sec. but min. 2 software complete cycles | | | | | | |
| Modulation | CW | | | | | | |
| | AM 1 kHz, 80% (same peak value as CW) | | | | | | |

DPI: 30 dBm for global pins, 12 dBm for local pins.

All the pins under DPI testing (see [Table 23](#)) satisfy class 3 limits..

Table 23. Pin testing

| Pin name | Remarks | Classification | CE | DPI |
|----------|--------------------------|----------------|----|-----|
| VS1 | Filtered VIN pin | Global | X | X |
| VIN | VIN pin | Global | X | X |
| VOOUT | Regulated output voltage | Local | X | - |
| RST | RST pin | Local | X | - |
| SS/INH | SS/INH pin | Local | X | (X) |

Figure 65 shows the schematic of the EMC board that can be configured for CE and DPI testing.

Figure 65. CE - 150R / DPI

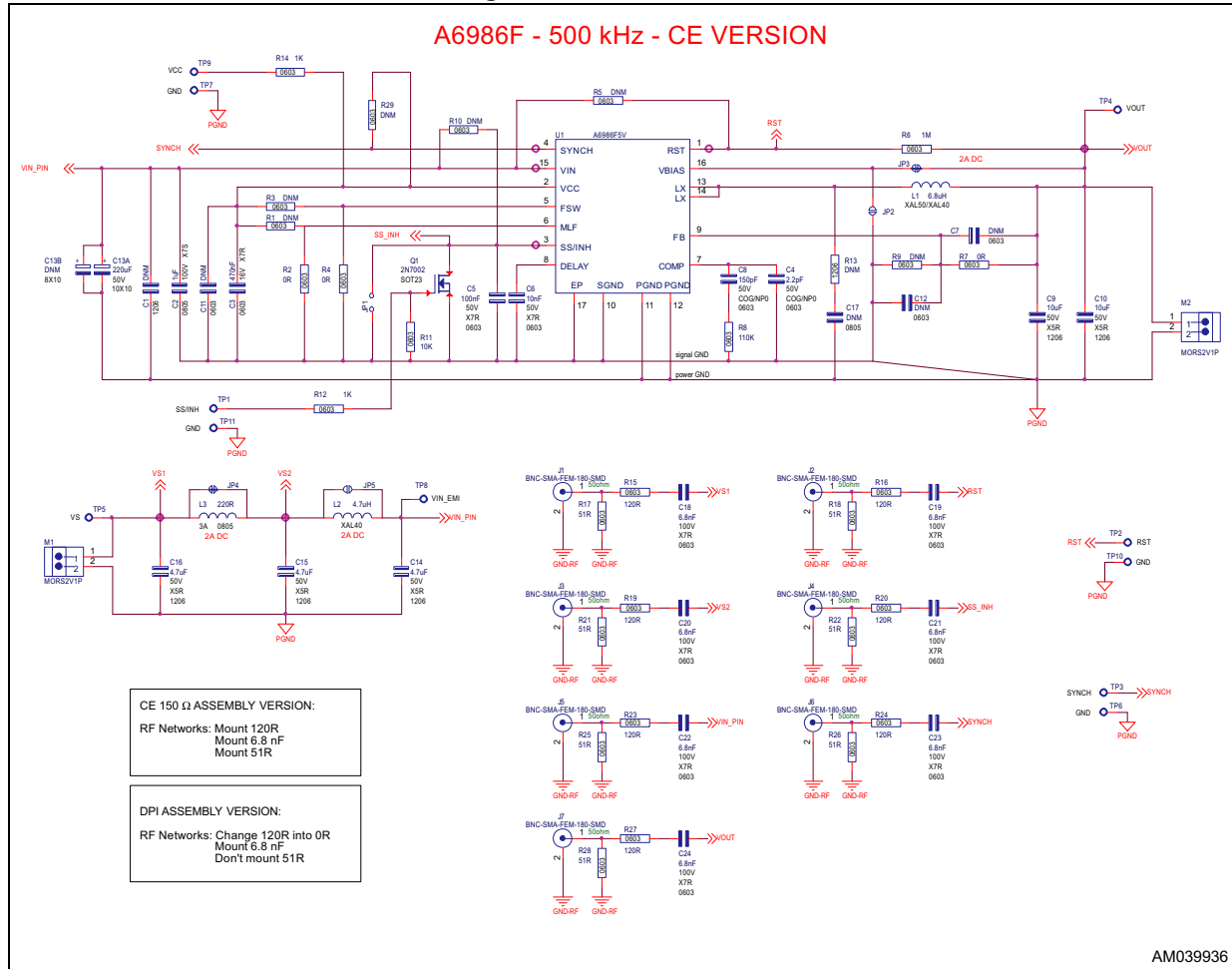


Figure 66. CE 150R at VS1 test point (see [Figure 65](#)) at 80% I_{LOAD}

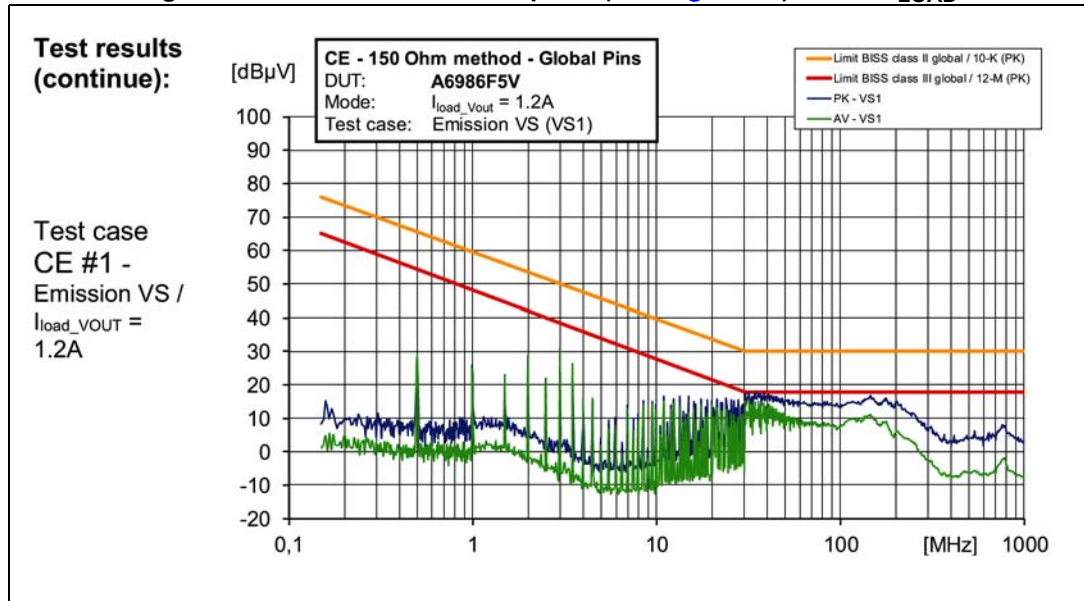


Figure 67. CE 150R at VS1 test point (see [Figure 65](#)) at 10% I_{LOAD}

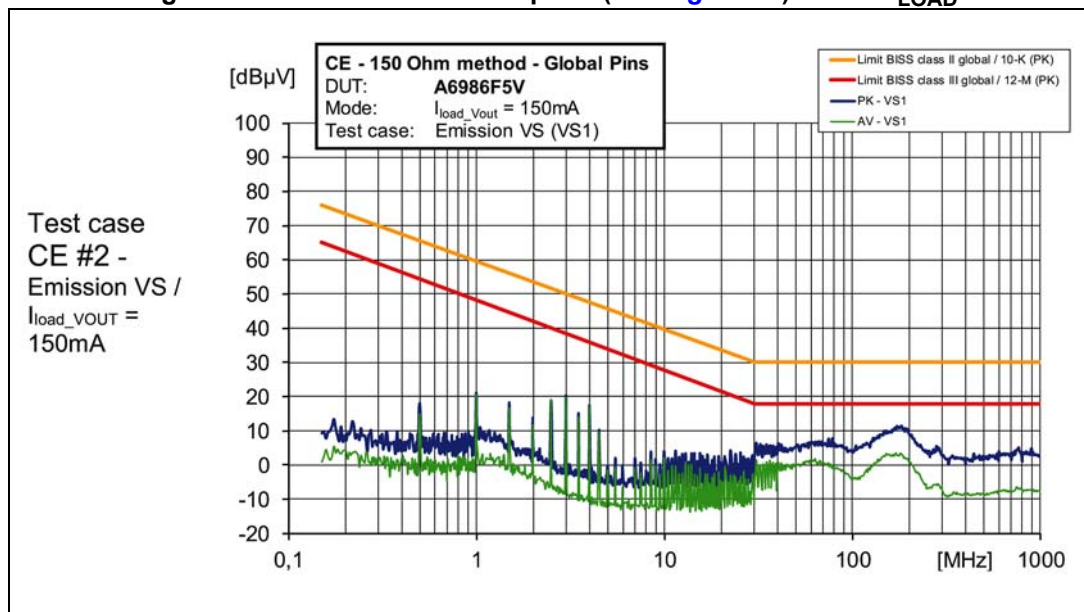


Figure 68. CE 150R at VOUT test point (see Figure 65) at 80% I_{LOAD}

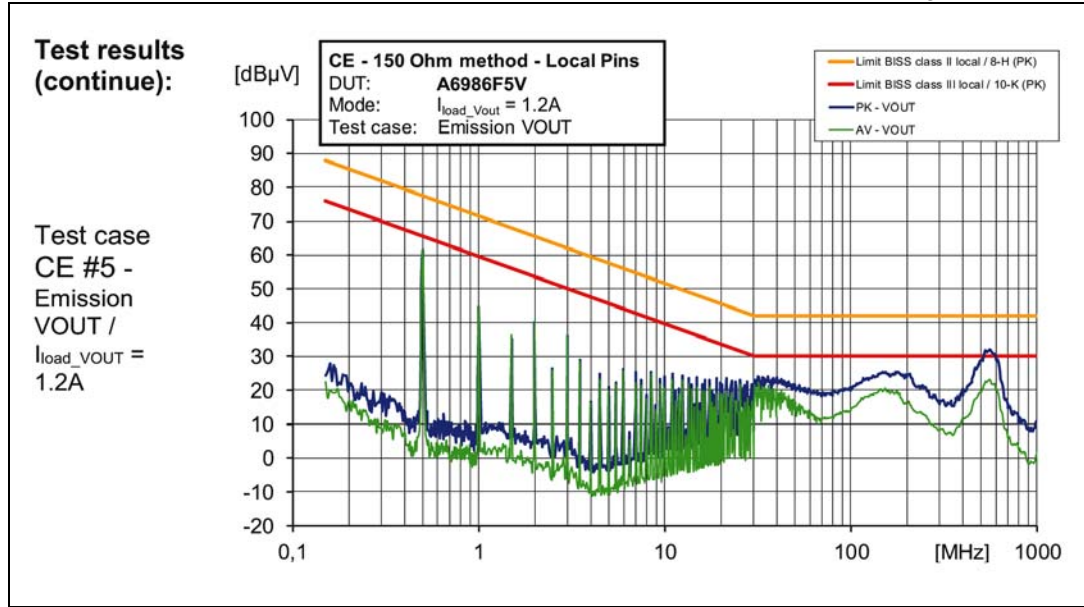


Figure 69. CE 150R at VOUT test point (see Figure 65) at 10% I_{LOAD}

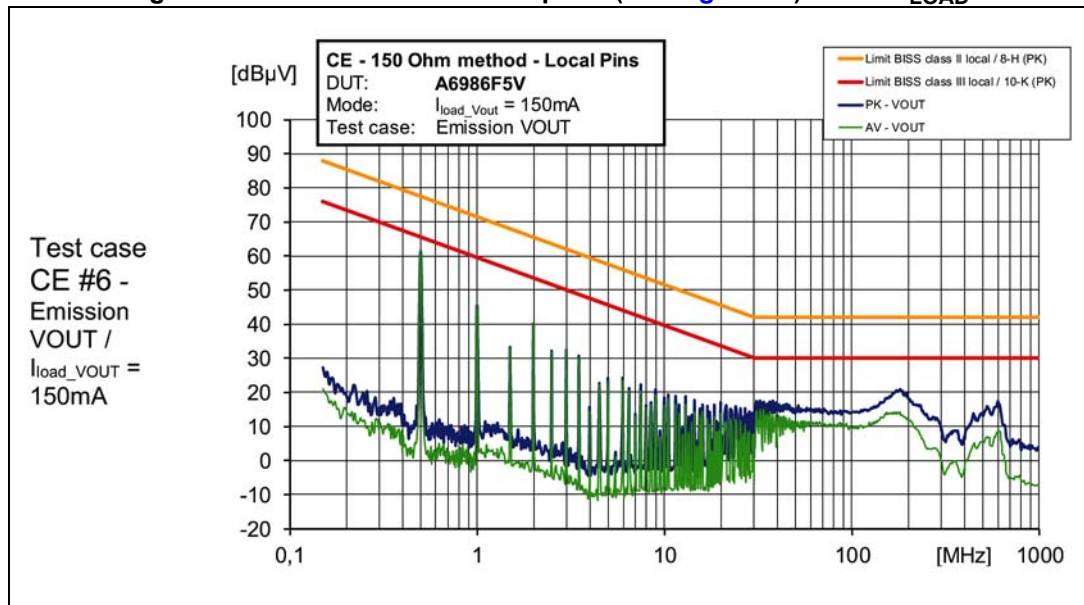


Figure 70. CE 150R at RST test point (see [Figure 65](#)) at 80% I_{LOAD}

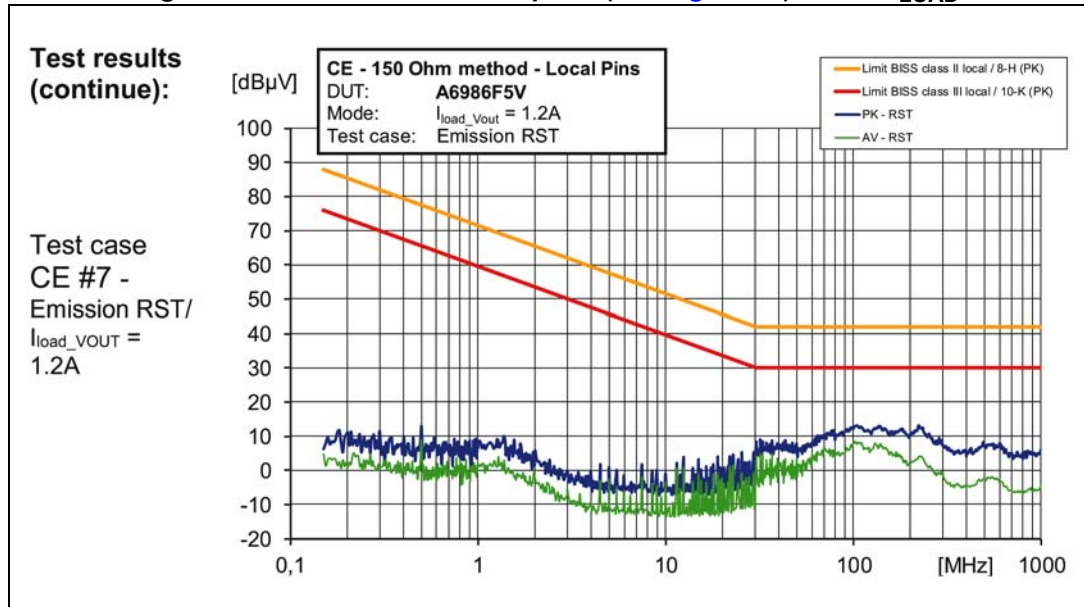


Figure 71. CE 150R at RST test point (see [Figure 65](#)) at 10% I_{LOAD}

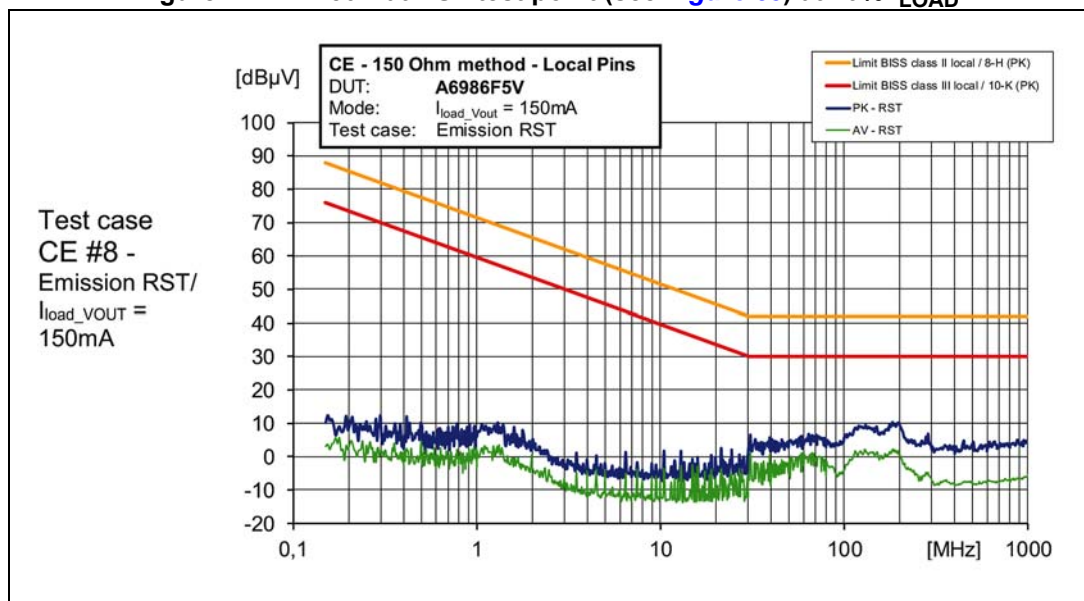


Figure 72. CE 150R at SS/INH test point (see [Figure 65 on page 70](#)) at 80% I_{LOAD}

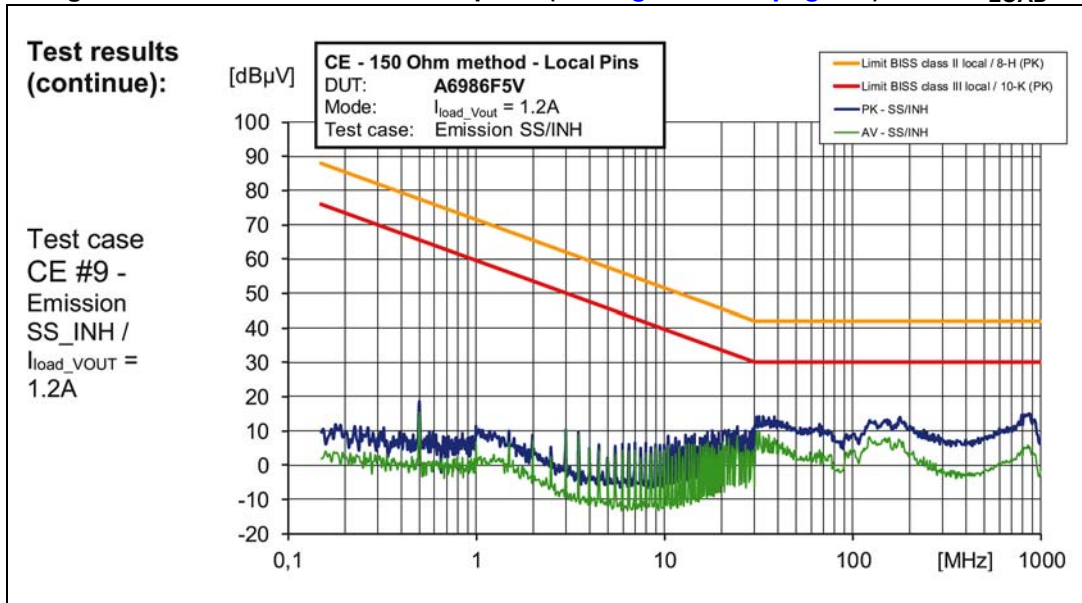
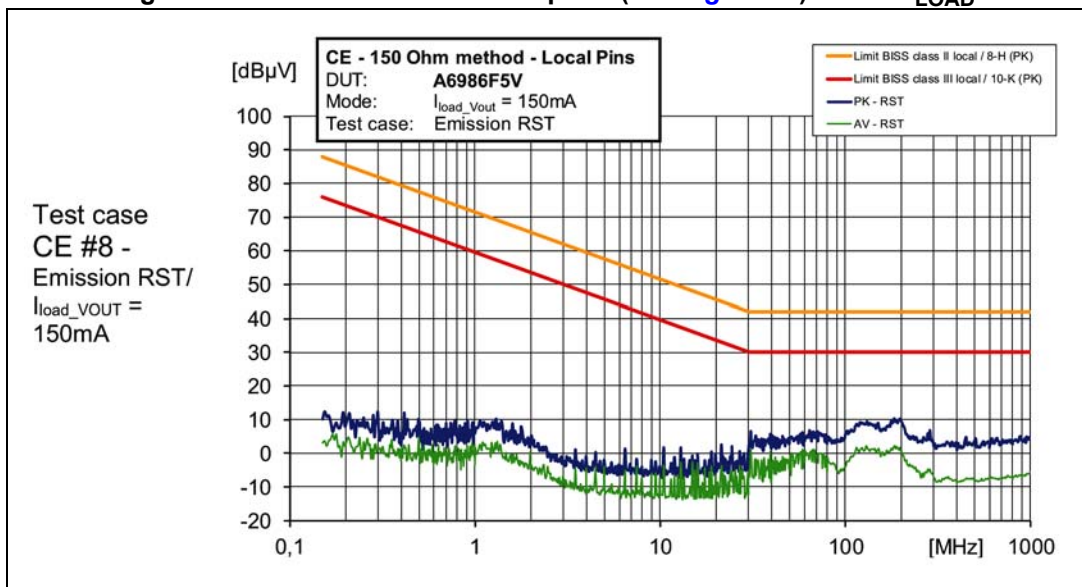


Figure 73. CE 150R at SS/INH test point (see [Figure 65](#)) at 10% I_{LOAD}



11 Package information

In order to meet environmental requirements, ST offers these devices in different grades of ECOPACK packages, depending on their level of environmental compliance. ECOPACK specifications, grade definitions and product status are available at: www.st.com. ECOPACK is an ST trademark.

11.1 HTSSOP16 package information

Figure 74. HTSSOP16 package outline

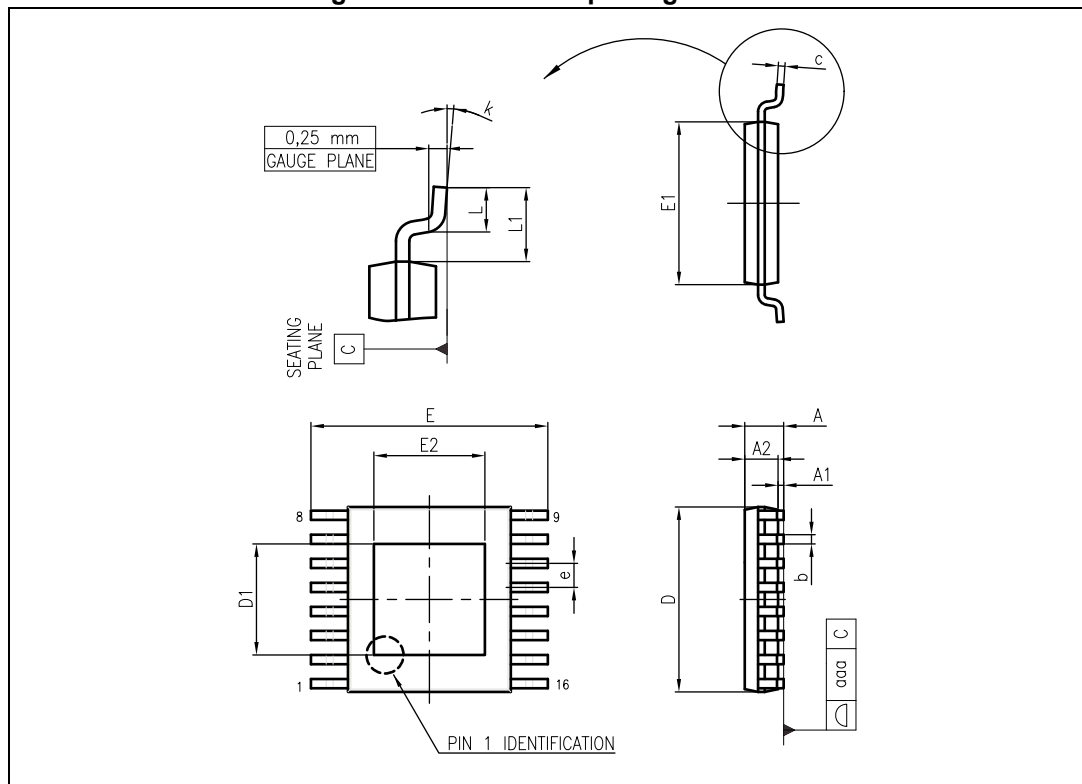


Table 24. HTSSOP16 package mechanical data

| Symbol | Dimensions (mm) | | |
|--------|-----------------|------|------|
| | Min. | Typ. | Max. |
| A | - | - | 1.20 |
| A1 | - | - | 0.15 |
| A2 | 0.80 | 1.00 | 1.05 |
| b | 0.19 | - | 0.30 |
| c | 0.09 | - | 0.20 |
| D | 4.90 | 5.00 | 5.10 |
| D1 | 2.8 | 3 | 3.2 |
| E | 6.20 | 6.40 | 6.60 |
| E1 | 4.30 | 4.40 | 4.50 |
| E2 | 2.8 | 3 | 3.2 |
| e | - | 0.65 | - |
| L | 0.45 | 0.60 | 0.75 |
| L1 | - | 1.00 | - |
| k | 0.00 | - | 8.00 |
| aaa | - | - | 0.10 |

12 Order codes

Table 25. Order codes

| Part numbers | Package | Packaging |
|--------------|----------|---------------|
| A6986F3V3 | HTSSOP16 | Tube |
| A6986F3V3TR | | Tape and reel |
| A6986F5V | | Tube |
| A6986FF5VTR | | Tape and reel |
| A6986F | | Tube |
| A6986FTR | | Tape and reel |

13 Revision history

Table 26. Document revision history

| Date | Revision | Changes |
|-------------|----------|---|
| 01-Jul-2016 | 3 | <p>Updated <i>Table 1: Pin description on page 5</i> (corrected the current sourced by the SS/INH pin during the soft-start, added information on the SYNCH/ISKP pin).</p> <p>Updated <i>Table 5: Electrical characteristics on page 8</i> (added reference accuracy for the adjustable part number A6986F).</p> <p>Added <i>Section 5.5: Output voltage line regulation on page 25</i>.</p> <p>Added <i>Section 5.6: Output voltage load regulation on page 25</i>.</p> <p>Added <i>Section 5.7: High-side switch resistance vs. input voltage on page 26</i>.</p> <p>Added <i>Section 5.8.3: Quiescent current in LCM with switchover on page 33</i>.</p> <p>Updated <i>Section 5.9: Switchover feature on page 34</i> (added further description of Switchover from auxiliary voltage source).</p> <p>Minor modifications throughout document.</p> |
| 24-Nov-2016 | 4 | <p>Added text, <i>Table 12 on page 28</i> and <i>Figure 17 on page 28</i> in <i>Section 5.8.2 on page 27</i>.</p> <p>Minor modifications throughout document.</p> |
| 14-Feb-2017 | 5 | <p>Updated Section: Features on page 1 (replaced "AECQ100 qualified" by "AEC-Q100 qualified").</p> <p>Minor modifications throughout document.</p> |
| 31-Aug-2020 | 6 | <p>Updated <i>Table 4: ESD protection</i>.</p> |

IMPORTANT NOTICE – PLEASE READ CAREFULLY

STMicroelectronics NV and its subsidiaries (“ST”) reserve the right to make changes, corrections, enhancements, modifications, and improvements to ST products and/or to this document at any time without notice. Purchasers should obtain the latest relevant information on ST products before placing orders. ST products are sold pursuant to ST’s terms and conditions of sale in place at the time of order acknowledgement.

Purchasers are solely responsible for the choice, selection, and use of ST products and ST assumes no liability for application assistance or the design of Purchasers’ products.

No license, express or implied, to any intellectual property right is granted by ST herein.

Resale of ST products with provisions different from the information set forth herein shall void any warranty granted by ST for such product.

ST and the ST logo are trademarks of ST. For additional information about ST trademarks, please refer to www.st.com/trademarks. All other product or service names are the property of their respective owners.

Information in this document supersedes and replaces information previously supplied in any prior versions of this document.

© 2020 STMicroelectronics – All rights reserved

Mouser Electronics

Authorized Distributor

Click to View Pricing, Inventory, Delivery & Lifecycle Information:

[STMicroelectronics:](#)

[A6986F5V](#) [A6986F5VTR](#) [A6986F3V3TR](#) [A6986F3V3](#)