

11 X

TERMINAL FINISH OPTIONS:

BLANK - (STD) ELECTRO-TIN PLATED

M - GOLD PLATED SPRINGS WITH GOLD CONTACTS ON RING SPRINGS AND SHUNT SPRINGS (WHEN SHUNTS ARE USED)

RoHS COMPLIANT

TERMINAL OPTIONS:

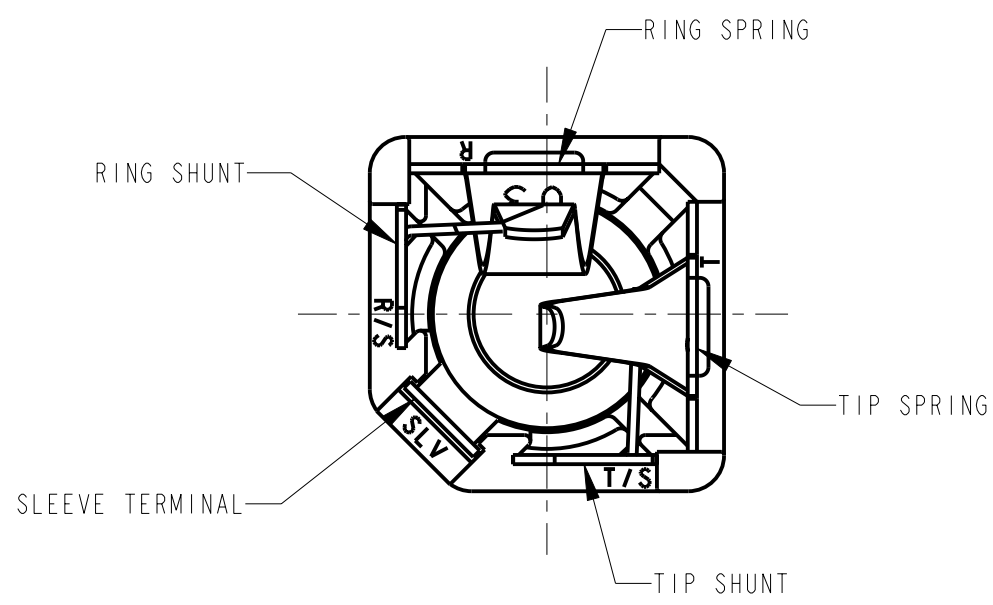
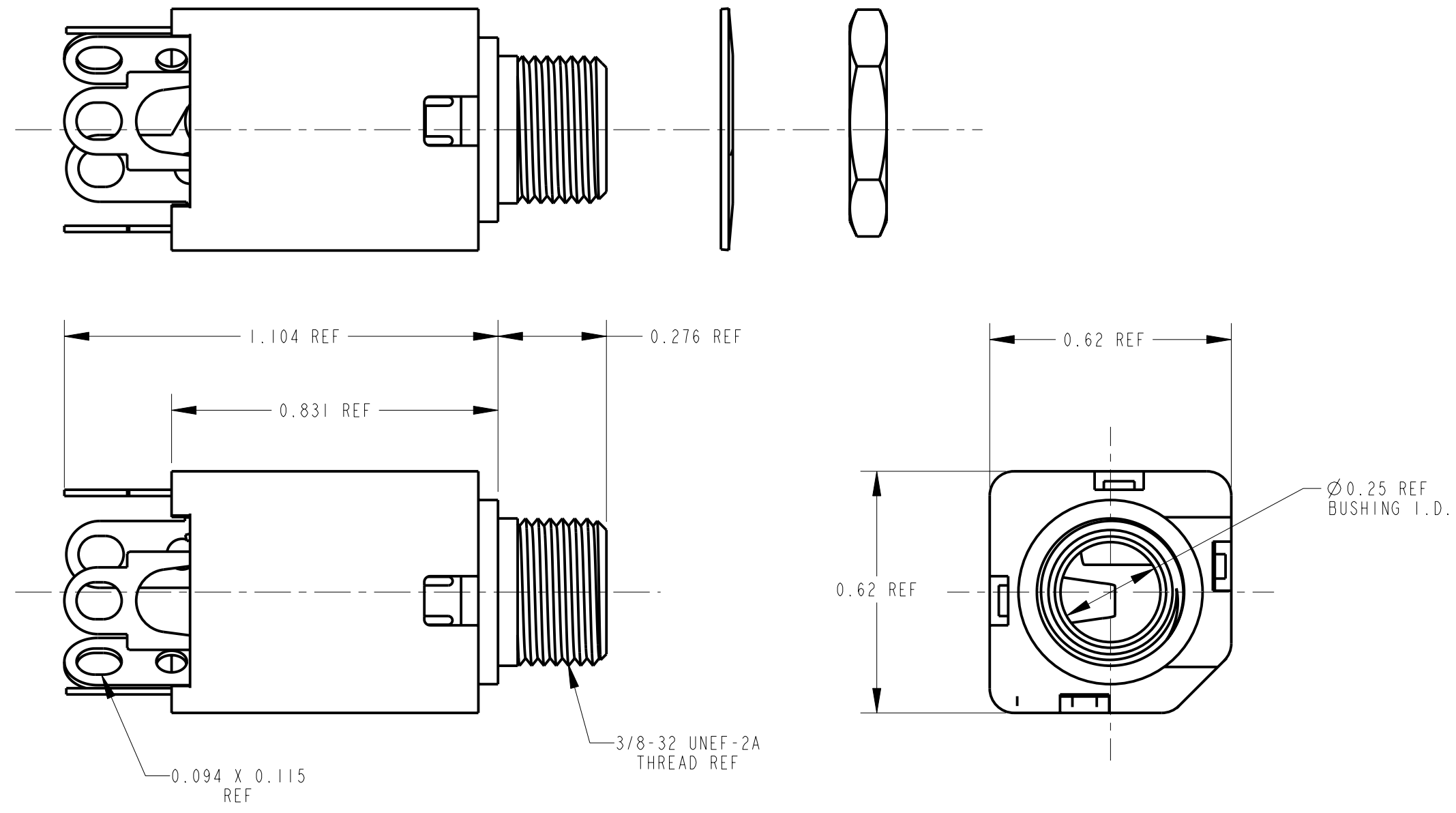
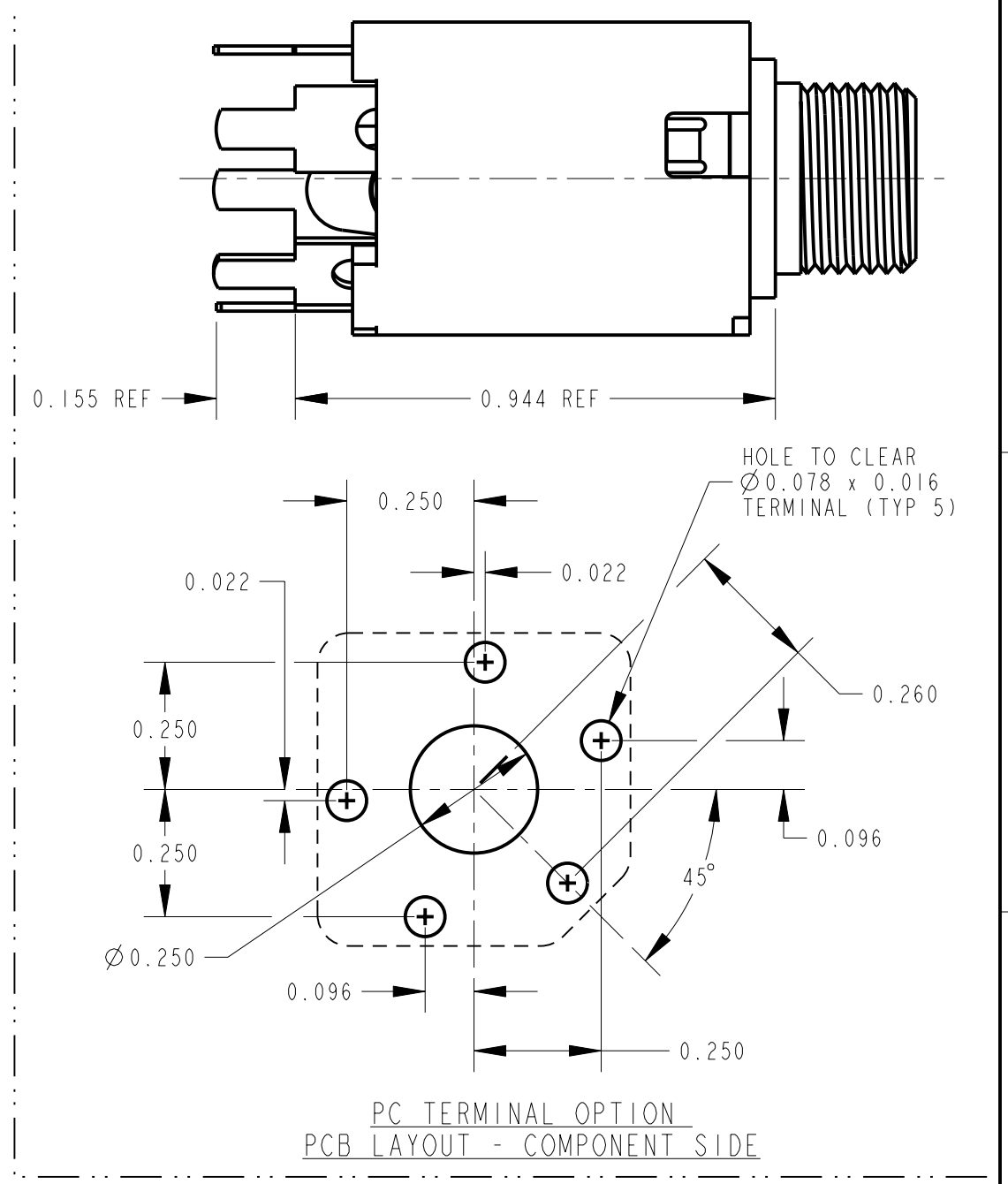
BLANK - SOLDER TERMINAL

PC - 0.078 WIDE PC TAILS

PCS - SNAP-IN PC TAILS

CIRCUITRY OPTIONS:

1 - TIP OPEN CIRCUIT	TIP SLEEVE
2A - TIP CLOSED CIRCUIT	TIP SLEEVE
2B - TIP & RING OPEN CIRCUIT	RING TIP SLEEVE
3 - TIP OPEN CIRCUIT AND ISOLATE "MAKE" CIRCUIT	TIP SLEEVE
3B - TIP CLOSED CIRCUIT AND RING OPEN CIRCUIT (I-C TRANSFER)	RING TIP SLEEVE
3D - 1 TIP CLOSED CIRCUIT AND 1 TIP OPEN CIRCUIT	TIP SLEEVE
3E - TIP OPEN CIRCUIT AND ISOLATED "BREAK" CIRCUIT	TIP SLEEVE
3F - TIP OPEN CIRCUIT AND RING CLOSED CIRCUIT	RING TIP SLEEVE
4B - TIP & RING CLOSED CIRCUIT	RING TIP SLEEVE



- NOTES:
- HARDWARE SHIPPED UNASSEMBLED.
  - MAXIMUM PANEL THICKNESS: 0.156
  - MATERIALS:  
HOUSING - POLYESTER GLASS FILLED, BLACK  
BUSHING - BRASS, NICKEL PLATED  
SLEEVE TERMINAL - BRASS, LEAD FREE ELECTRO-TIN PLATED  
SPRINGS - NICKEL SILVER, LEAD FREE ELECTRO-TIN PLATED  
LIFTERS - NYLON (113 & 113E CIRCUIT OPTIONS)  
WASHER - STEEL, NICKEL PLATED  
NUT - BRASS, NICKEL PLATED
  - THIS PRODUCT IS RoHS COMPLIANT.

SOLDER TERMINAL OPTION

REV	ECO NUMBER	DATE	BY	APVD
A	26032	3-25-11	TJK	MW
REVISIONS				

STAR SYMBOL DENOTES CRITICAL DIMENSION

UNLESS OTHERWISE SPECIFIED

- ALL DIMENSIONS IN INCHES  
- TWO PLACE DECIMALS ±0.01  
- THREE PLACE DECIMALS ±0.005  
- ANGLES ±1°  
- ALL DIA. CONCENTRIC WITHIN 0.005 T.I.R.
- FEATURES ON THE SAME CENTERLINE MUST BE ALIGNED WITHIN ±0.002
- REMOVE ALL BURRS

DO NOT SCALE DRAWING

CUSTOMER DRAWING

THIS DRAWING DESCRIBES A DESIGN CONSIDERED PROPRIETARY IN NATURE, DEVELOPED AND MANUFACTURED BY SWITCHCRAFT INC. AND IS RELEASED ON A CONFIDENTIAL BASIS FOR IDENTIFICATION PURPOSES ONLY.

SIZE	WIDTH	MULT	LBS/M	TEMPER
FINISH		MATERIAL SPEC No.		
SPEC No.		SCALE 3:1		
FIRST USED ON		DATE DRAWN		
4-18-06	BY TJK	CHKD TJK	APVD MW	4-18-06
NAME #3/8-32 THREADED BUSHING				PART No. 110X SERIES
∅0.25 I.D., HI-D JACK ASSY, RoHS				M110X SERIES
				REV A

Switchcraft®

SHEET | OF |

# Mouser Electronics

Authorized Distributor

Click to View Pricing, Inventory, Delivery & Lifecycle Information:

## Switchcraft:

[N113E](#) [113DX](#) [L112BX](#) [L114BX](#) [M112BPCX](#) [M114BX](#) [NL113BX](#) [NL114BPC](#) [M114BPCX](#) [112APCS](#) [112BPCS](#)  
[N113EX](#) [NL114BPCS](#) [111PCS](#) [N112BPCS](#) [112APCSX](#) [113BPCS](#) [113EPCS](#) [114BPCSX](#) [N114BPCSX](#) [M11782](#)  
[M112BX](#) [112BPCSX](#).