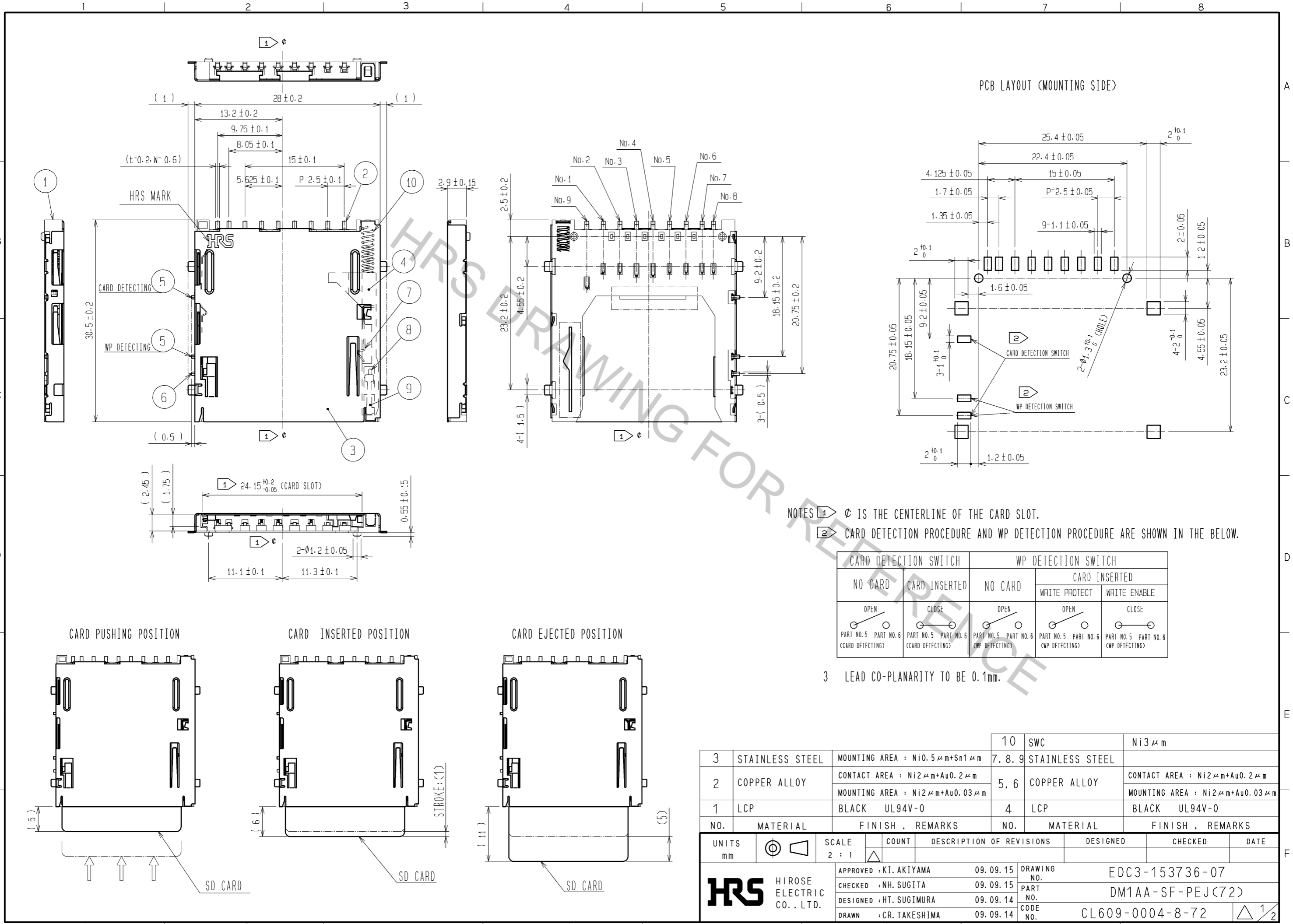


Nov.1.2017 Copyright 2017 HIROSE ELECTRIC CO., LTD. All Rights Reserved.



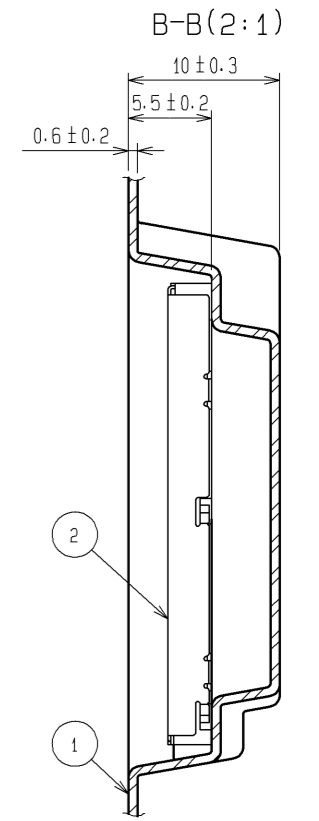
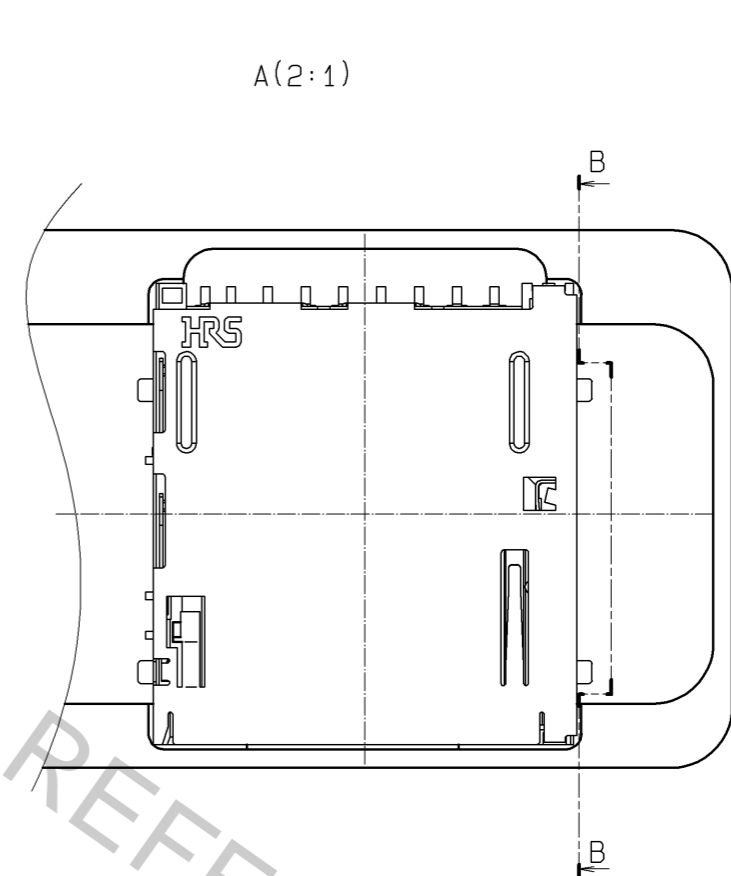
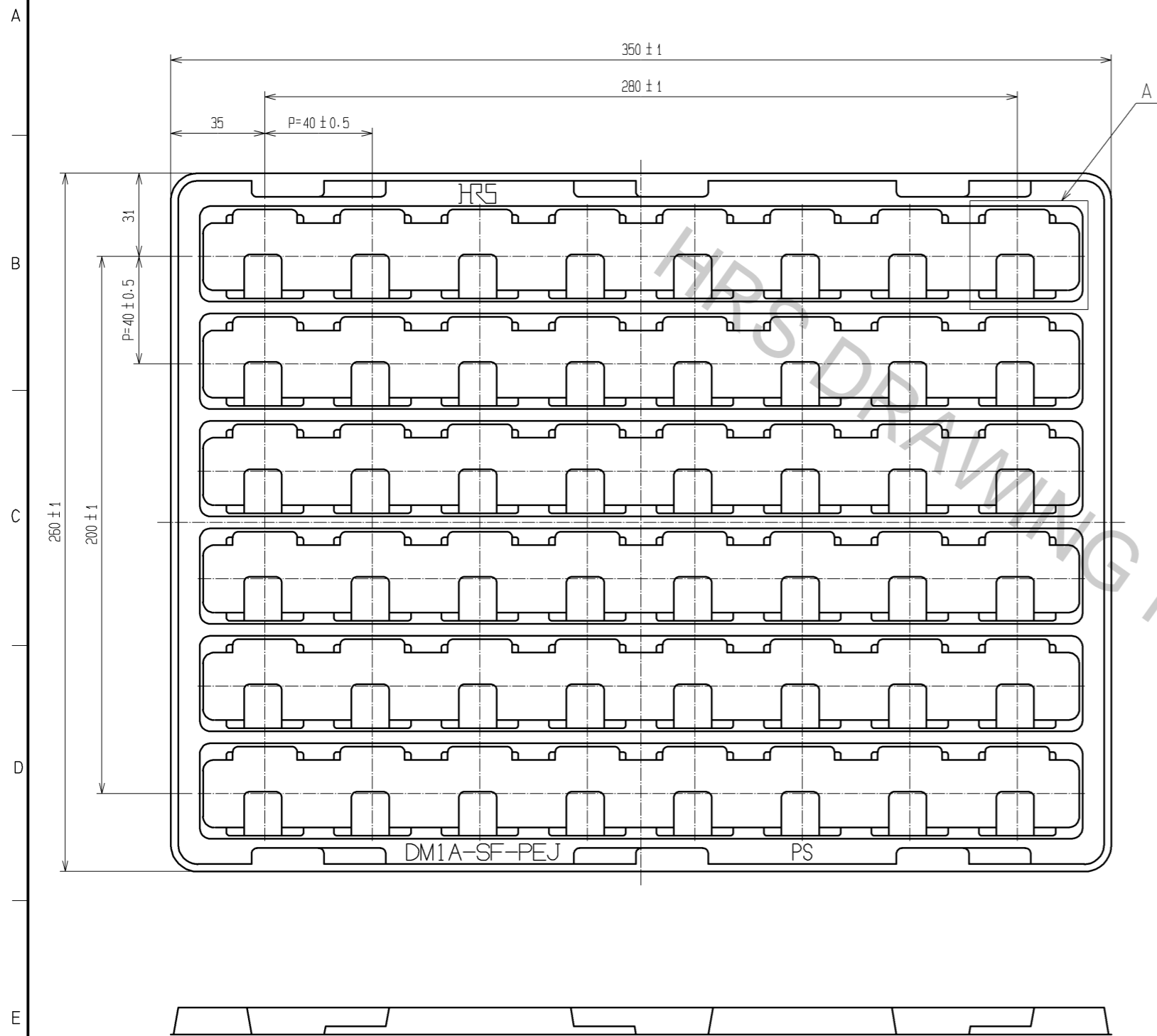
NOTES 1  $\phi$  IS THE CENTERLINE OF THE CARD SLOT.  
 2 CARD DETECTION PROCEDURE AND WP DETECTION PROCEDURE ARE SHOWN IN THE BELOW.

CARD DETECTION SWITCH		WP DETECTION SWITCH		
NO CARD	CARD INSERTED	NO CARD	CARD INSERTED	
			WRITE PROTECT	WRITE ENABLE
OPEN	CLOSE	OPEN	OPEN	CLOSE
PART NO. 5 (CARD DETECTING)	PART NO. 5 (CARD DETECTING)	PART NO. 5 (WP DETECTING)	PART NO. 5 (WP DETECTING)	PART NO. 6 (WP DETECTING)

3 LEAD CO-PLANARITY TO BE 0.1mm.

3	STAINLESS STEEL	MOUNTING AREA : Ni0.5 $\mu$ m+Sn1 $\mu$ m	10	SWC	Ni3 $\mu$ m		
2	COPPER ALLOY	CONTACT AREA : Ni2 $\mu$ m+Au0.2 $\mu$ m MOUNTING AREA : Ni2 $\mu$ m+Au0.03 $\mu$ m	7, 8, 9	STAINLESS STEEL	CONTACT AREA : Ni2 $\mu$ m+Au0.2 $\mu$ m MOUNTING AREA : Ni2 $\mu$ m+Au0.03 $\mu$ m		
1	LCP	BLACK UL94V-0	5, 6	COPPER ALLOY			
NO.	MATERIAL	FINISH . REMARKS	NO.	MATERIAL	FINISH . REMARKS		
UNITS mm	$\phi$ $\nabla$	SCALE 2 : 1	COUNT $\triangle$	DESCRIPTION OF REVISIONS	DESIGNED	CHECKED	DATE
<b>HRS</b> HIROSE ELECTRIC CO., LTD.		APPROVED : KI. AKIYAMA	09.09.15	DRAWING NO.	EDC3-153736-07		
		CHECKED : NH. SUGITA	09.09.15	PART NO.	DM1AA-SF-PEJ(72)		
		DESIGNED : HT. SUGIMURA	09.09.14	CODE NO.	CL609-0004-8-72		
		DRAWN : CR. TAKESHIMA	09.09.14		$\triangle$ 1/2		

# CONFIGURATION OF PACKING TRAY



NOTE 1. QUANTITY : 48PCS./TRAY

2	CONNECTOR:DM1AA-SF-PEJ(72)
1	PS CLEAR
NO.	MATERIAL

<b>HRS</b>	DRAWING NO.	EDC3-153736-07
	PART NO.	DM1AA-SF-PEJ(72)
	CODE NO.	CL609-0004-8-72
		△ 2/2

Nov.1.2017 Copyright 2017 HIROSE ELECTRIC CO., LTD. All Rights Reserved.