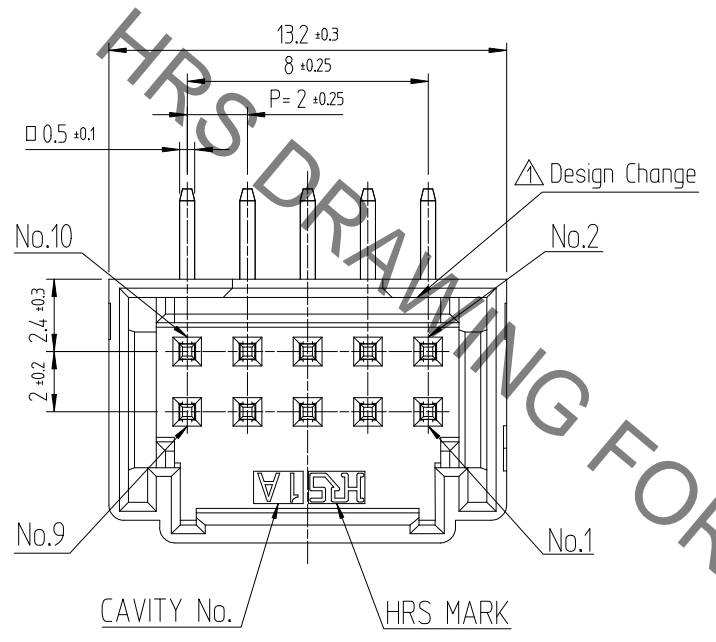
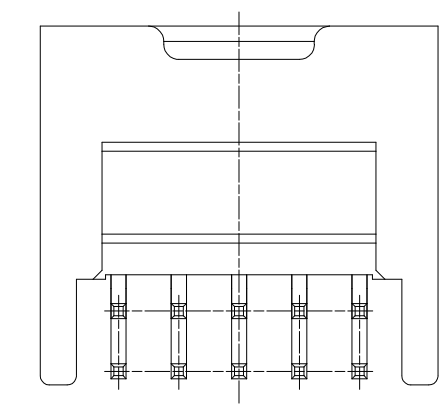
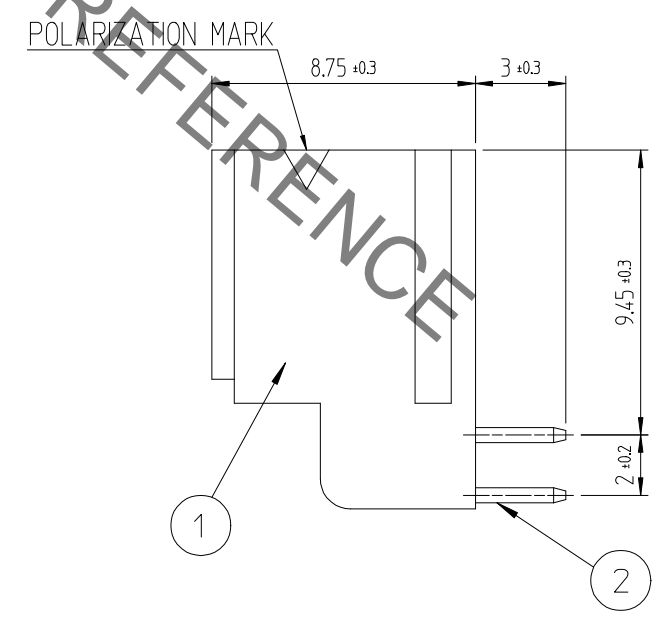
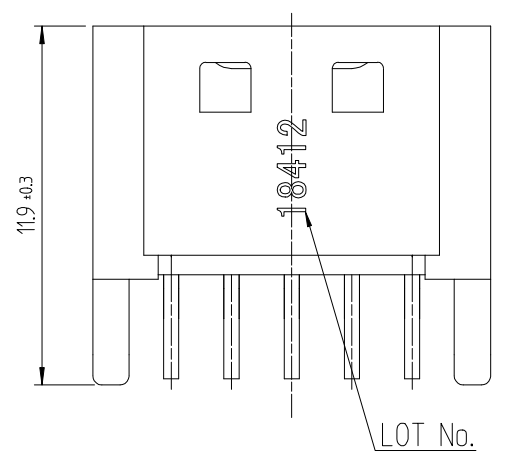
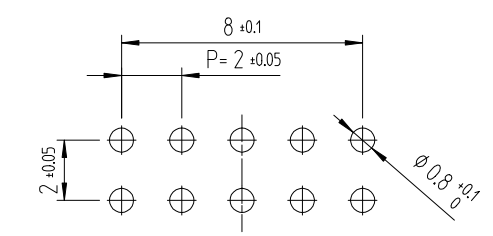


Dec.1.2019 Copyright 2019 HIROSE ELECTRIC CO., LTD. All Rights Reserved.
In case of consideration for using Automotive equipment / device which demand high reliability, kindly contact our sales window

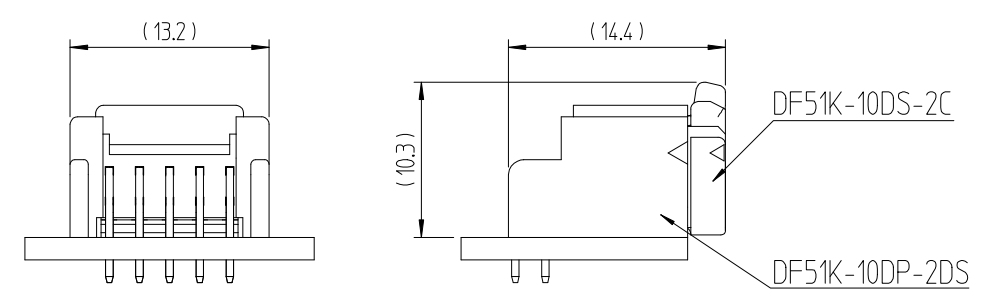
| △數 COUNT | 訂正事項 DESCRIPTION OF REVISIONS | 擔當 B Y | 檢圖 CHKD | 年月日 DATE | △數 COUNT | 訂正事項 DESCRIPTION OF REVISIONS | 擔當 B Y | 檢圖 CHKD | 年月日 DATE |
|-------------|----------------------------------|-----------|------------|-------------|-------------|----------------------------------|-----------|------------|-------------|
| 1 | RE-6-1150 | K.I.Y | L.S.M | 18. 07. 04 | | | | | |
| | | | | | | | | | |
| | | | | | | | | | |



RECOMMENDED LAND PATTERN (FREE)
(PCB THICKNESS t=1.6mm)



ENGAGEMENT FIGURE (2:1)



NOTE 1. 1TRAY CONTAINS 230PCS.
2. () DIMENSIONS ARE ONLY REFERENCE.

| | | | | | |
|----------------------------|----------|----------------|----------------------------------|-------------------------|--|
| 1 | PBT | UL94V-0, BLACK | 2 | BRASS | GOLD PLATING 0.1μm MIN, OVER NICKEL 0.5μm MIN |
| NO. | MATERIAL | FINISH,REMARKS | NO. | MATERIAL | FINISH,REMARKS |
| CODE NO. (OLD) | | | DRAWN | DESIGNED | CHECKED |
| | | | CHOI 18.03.02 J.S | CHOI 18.03.02 J.S | LIM 18.03.02 S.M |
| | | | APPROVED | | RELEASED |
| | | | KANG 18.03.02 T.S | | |
| DRAWING NO. EDC3-632479 | | | PART NO. DF51K-10DP-2DS (805) | | |
| SCALE 4:1 | | | CODE NO. CL 6652-0055-0-805 | | |
| UNITS mm | | | HIROSE KOREA CO.,LTD. | | |
| | | | | | 1/1 |