

- Back**
- Flat Cable Connectors SEK
 - *har-mik®*
 - D-Sub
 - InduCom

- **Applications**

Product details

09 67 050 4701
D-Sub - S cable connector

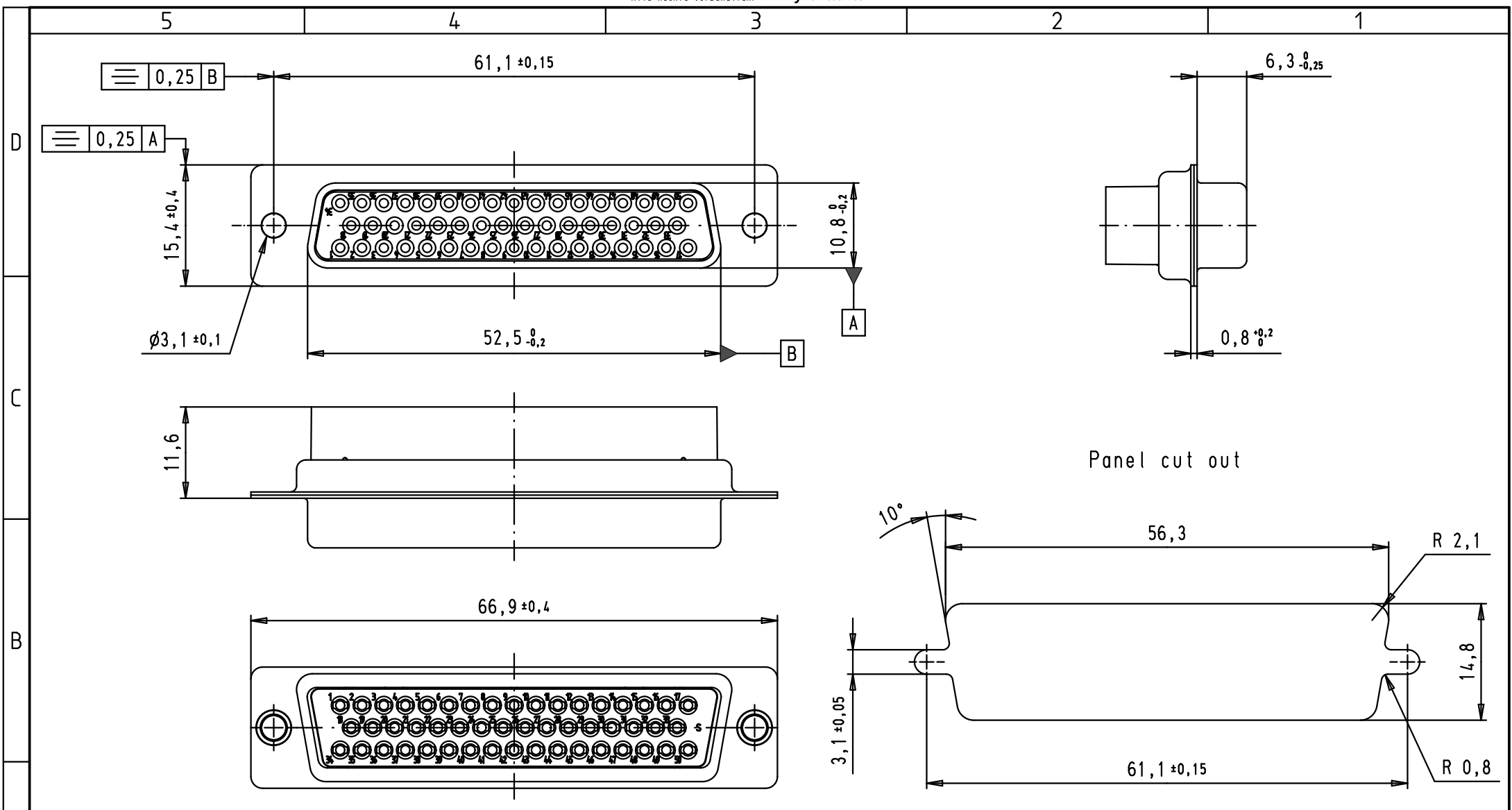
Gender	Female connector
Termination	Crimp
Number of contacts	50
Flange	through hole 3.1 mm
Shell	tinned metal shell
Material	PBTP
Contact configuration	contacts must be order separately
RoHS compliant	Yes

Inquiry


Available Downloads

Title	Format	
Data sheet	PDF	download
CAD data 2D	DXF	download

Product news



Mod.	Dot.	Name	Dot.	Name
34784	13/02/08	PK	Detail.	09/04/02 CV
33106	22/09/05	JMDR	Insp.	
31571	12/11/03	SH	Stand.	
31526	31/07/03	TCP	HARTING EURL F-95972 Paris	
29768	09/04/02	CV		


 All Dim. in mm
 Orig. Size DIN A 4

D-Sub, female, straight,
 50 poles, for crimp contacts
 AWG 20-24, tin plated shell

TB 09 67 050 4701

Maßstab/
 Scale
 1,5:1

Blatt/
 Page
 1 / 2

Sub.

A

B

C

D