

**SERIES: VFM-XX | DESCRIPTION: DC EMI FILTER**


---

**FEATURES**

- compact size
- suitable for use with wide range of dc-dc converters
- reduces common and differential mode noise

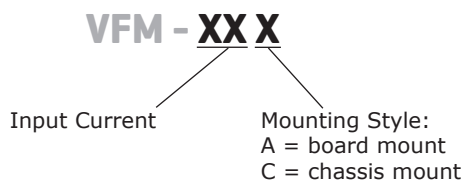


MODEL	input voltage	input surge voltage <sup>1</sup>	input current	isolation voltage <sup>2</sup>
	range (Vdc)	nominal (Vdc)	max (A)	min (Vdc)
VFM-10A	0 ~ 75	100	10	1,500
VFM-15C	0 ~ 75	100	15	1,500
VFM-20A	0 ~ 75	100	20	1,500
VFM-25C	0 ~ 36	50	25	1,500

Note: 1. For 100 ms.  
 2. Input to ground, output to ground.

**PART NUMBER KEY**


---



## SPECIFICATIONS

parameter	conditions/description	min	nom	max	units
isolation voltage	input to ground, output to ground	1,500			Vdc
isolation resistance	input to ground, output to ground	10 <sup>7</sup>			Ω
dc resistance	total for two legs		16		mΩ

## ENVIRONMENTAL

parameter	conditions/description	min	nom	max	units
operating temperature		-40		100	°C
case temperature				100	°C
storage temperature		-40		100	°C
cooling	natural convection				

## MECHANICAL

parameter	conditions/description	min	typ	max	units
dimensions	VFM-10A: 2.00 x 1.00 x 0.46 [50.8 x 25.4 x 11.7 mm]				inch
	VFM-15C: 4.06 x 3.11 x 0.89 [103.2 x 79 x 22.7 mm]				inch
	VFM-20A: 2.00 x 1.60 x 0.50 [50.8 x 40.6 x 12.7 mm]				inch
	VFM-25C: 4.06 x 3.11 x 0.89 [103.2 x 79 x 22.7 mm]				inch
case material	VFM-10A & VFM-20A: black plastic VFM-15C & VFM-25C: black coated steel				

## MECHANICAL DRAWING

### VFM-10A

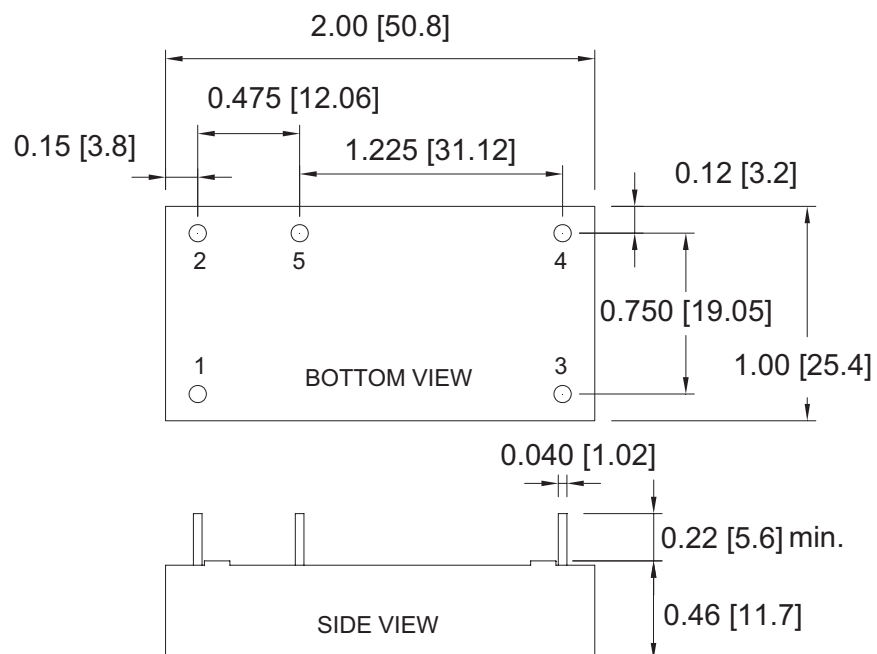
units: inch [mm]

tolerance: inches: x.xx = ±0.02, x.xxx = ±0.010

mm: x.x = ±0.5, x.xx = ±0.25

pin size: ±0.04 [±1.02]

PIN CONNECTIONS	
PIN	Function
1	+Vin
2	-Vin
3	+Vout
4	-Vout
5	GND



## MECHANICAL DRAWING (CONTINUED)

### VFM-20A

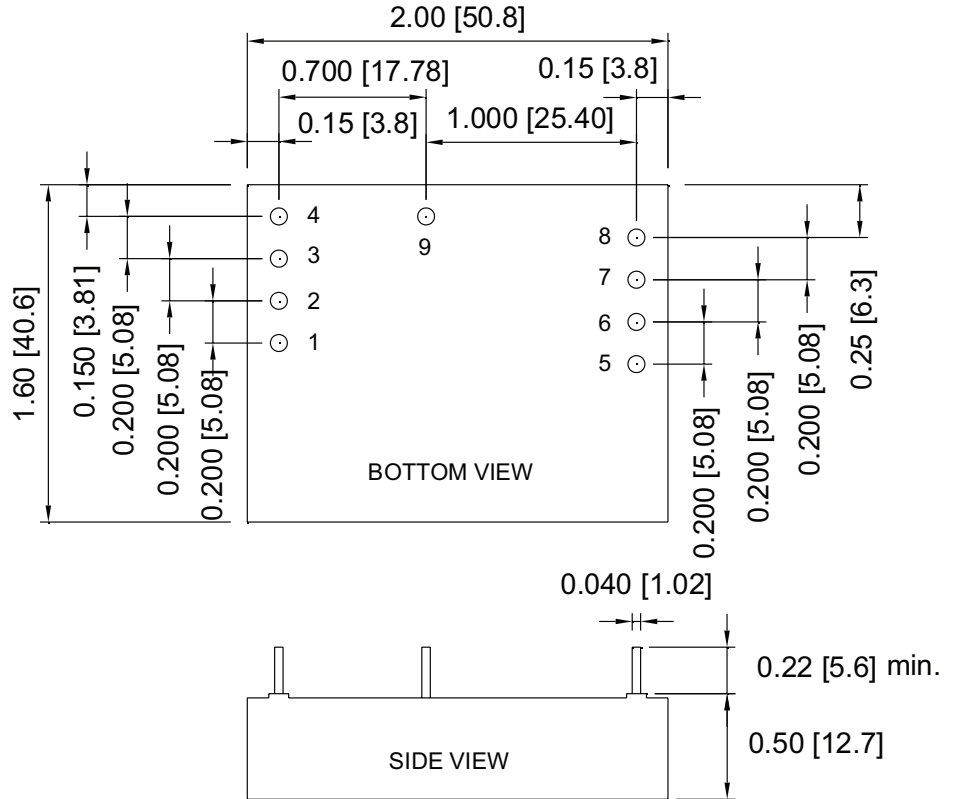
units: inch [mm]

tolerance: inches: x.xx = ±0.02, x.xxx = ±0.010

mm: x.x = ±0.5, x.xx = ±0.25

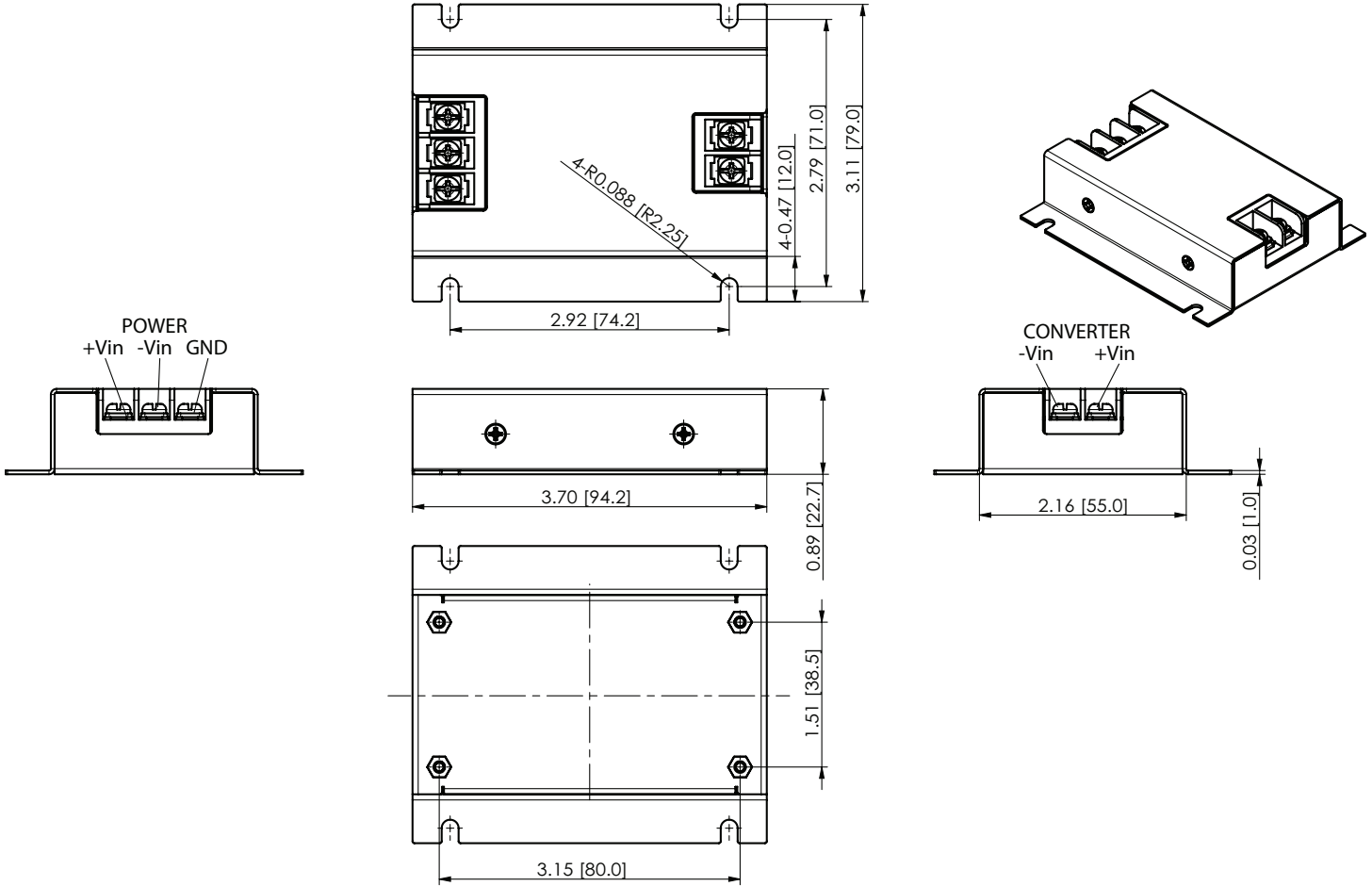
pin size: ±0.04 [±1.02]

PIN CONNECTIONS	
PIN	Function
1	+Vin
2	-Vin
3	+Vout
4	-Vout
5	GND



## MECHANICAL DRAWING (CONTINUED)

### VFM-15C & VFM-25C



## INTERNAL SCHEMATICS

Figure 1  
VFM-10A

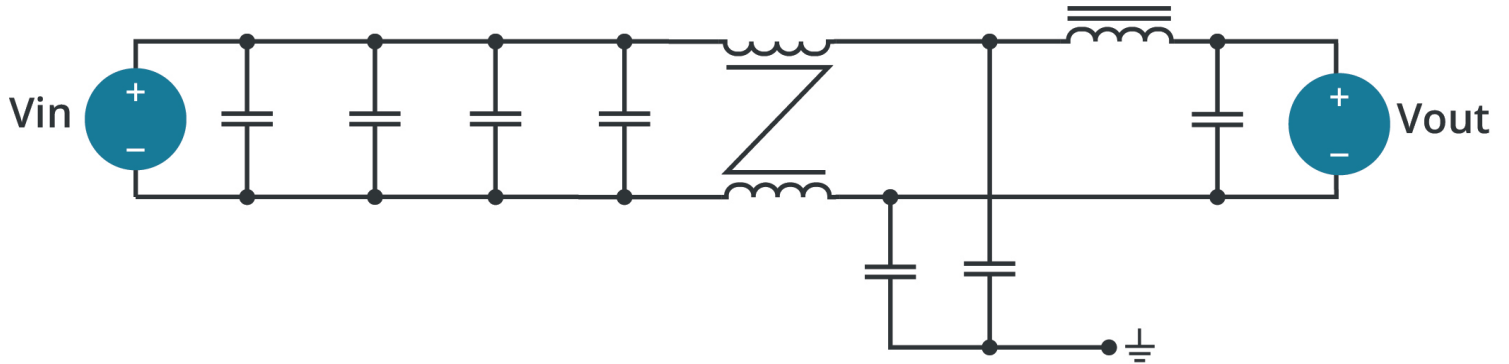


Figure 2  
VFM-20A

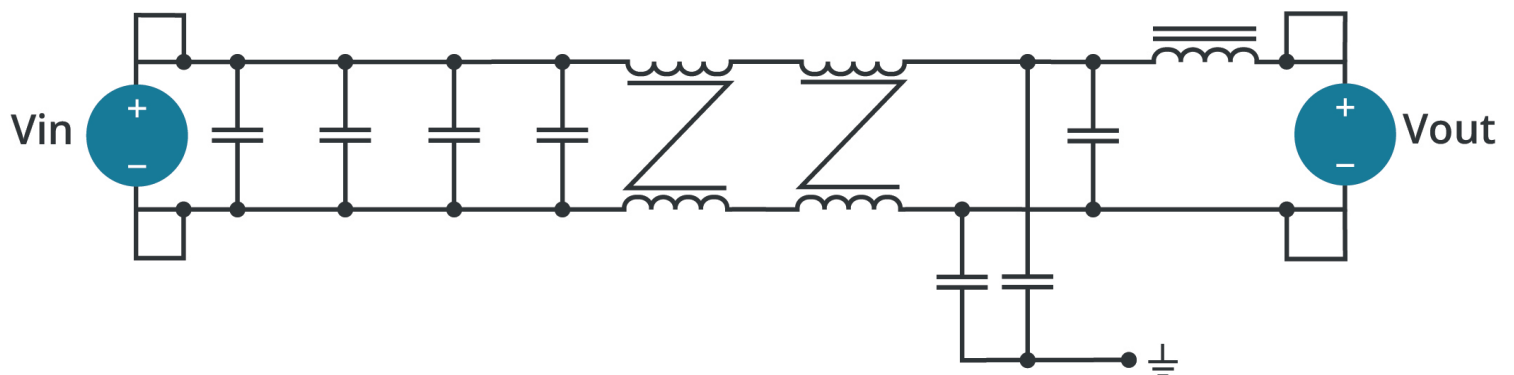
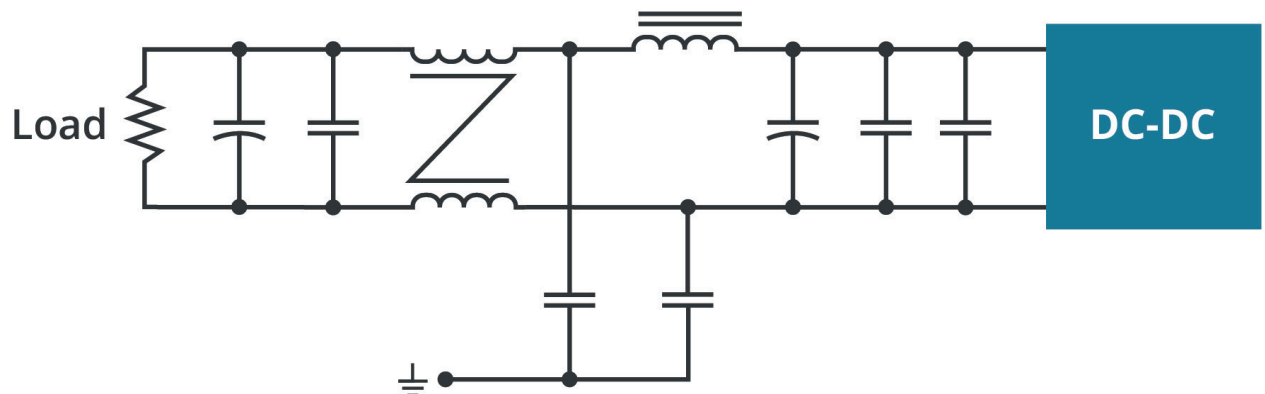
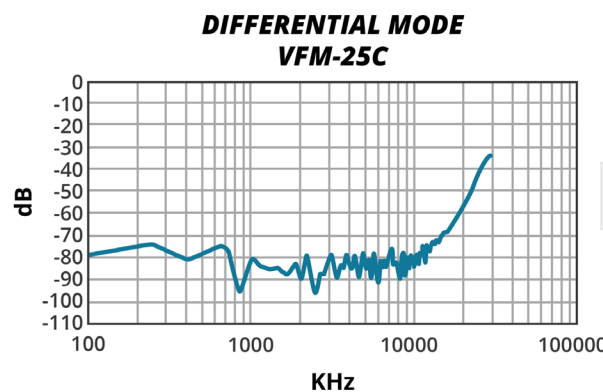
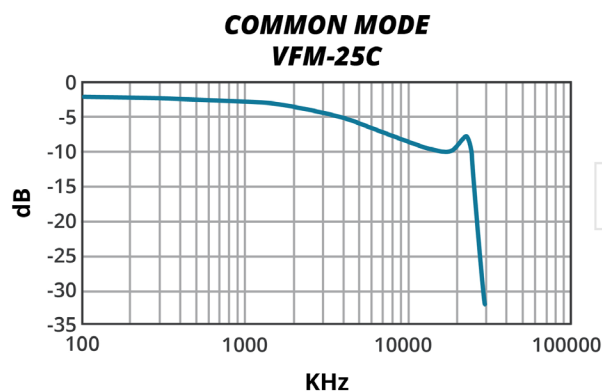
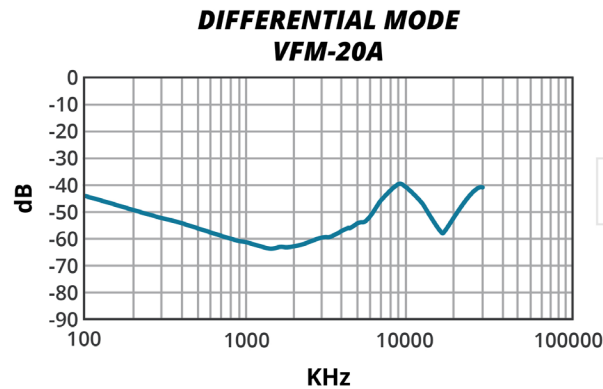
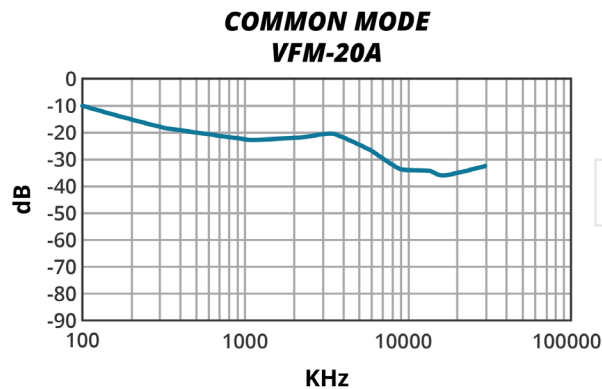
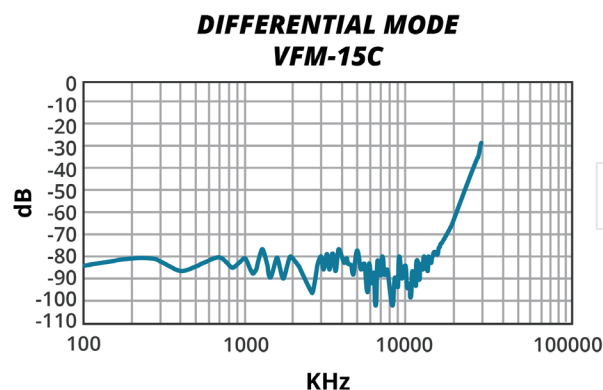
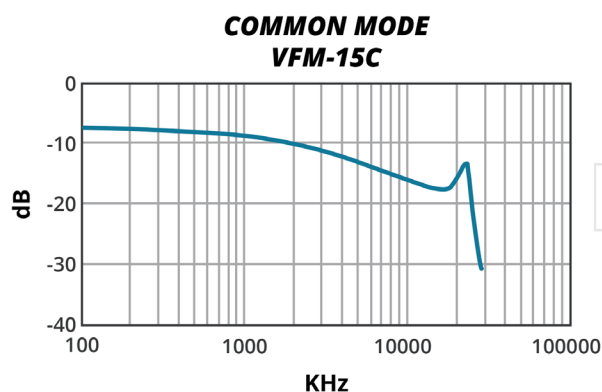
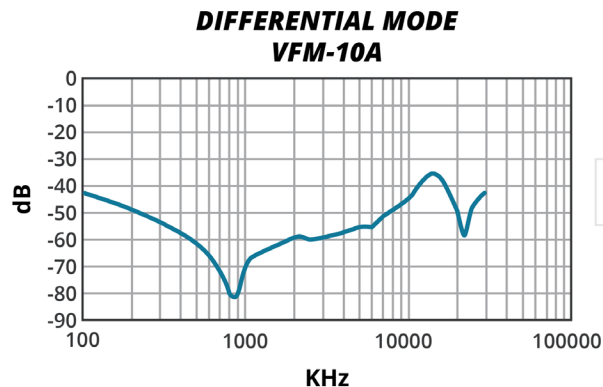
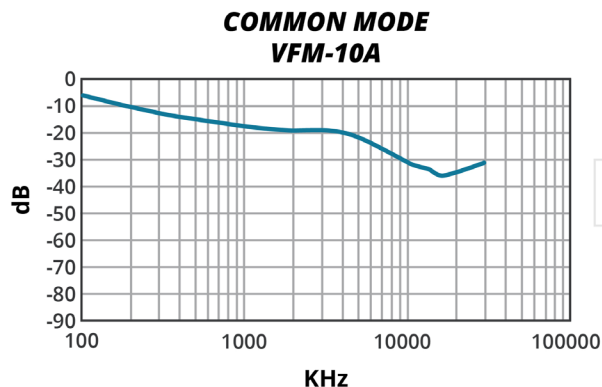


Figure 3  
VFM-15C & VFM-25C



## INTERNAL SCHEMATICS



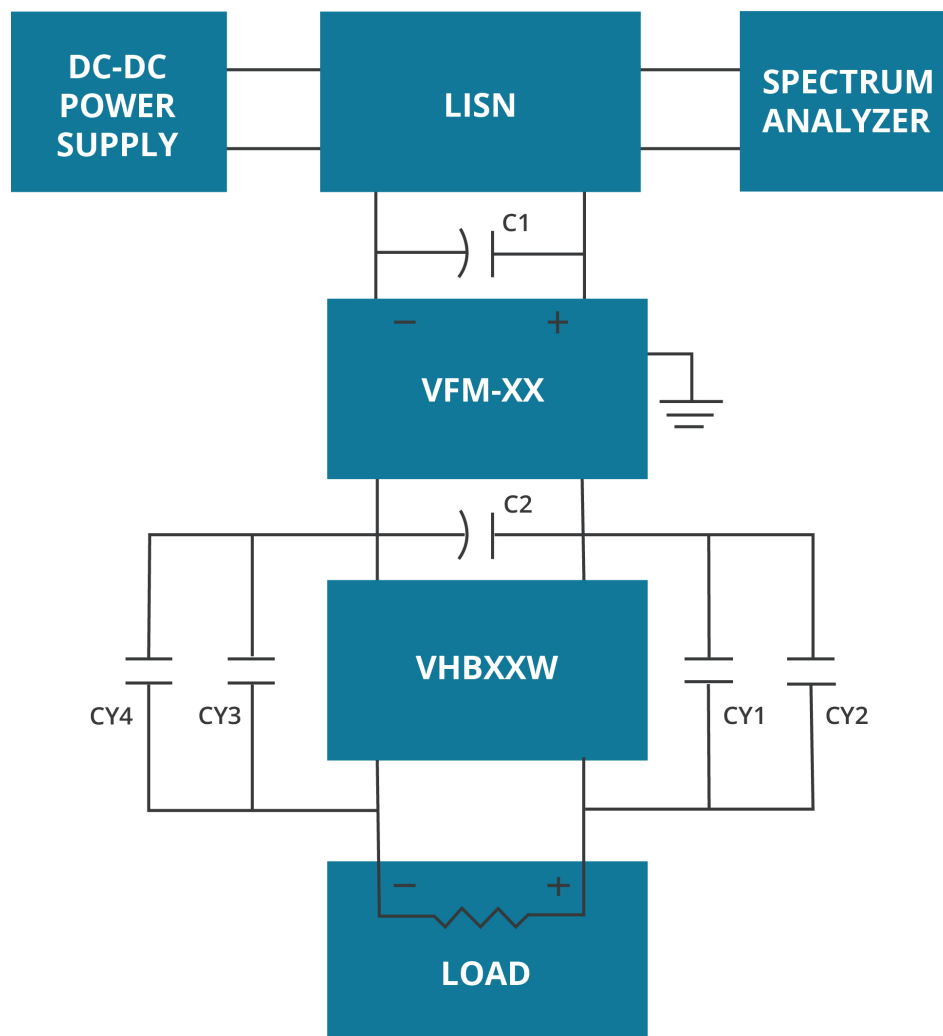
## APPLICATION CIRCUIT

The following application note shows EN 55022 class B conducted emissions tests for the VFM-XX series EMI filters in series with a VHK or VHB series DC/DC converter and a purely resistive load. This information is for example only. Actual results may vary.

### 1) EMI Filtering - Connection Diagram

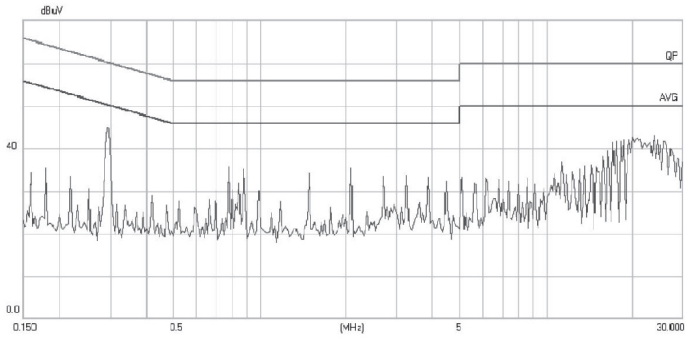
Filter Model (VFM-XX)	DC-DC Converter Model (VHXXXW)	C1	C2	CY1	CY2	CY3	CY4
VFM-10A	VHB50W-Q24-S5	47 $\mu$ F/100 V KY	...	...	...	...	...
	VHB50W-Q48-S5	47 $\mu$ F/100 V KY	...	...	...	...	...
VFM-15C	VHK200W	...	...	...	...	...	...
VFM-20A	VHB150W-Q24-S5	47 $\mu$ F/100 V KY	220 $\mu$ F/100 V KY	1000 pF / 2 KV	...	1000 pF / 2 KV	560 pF/2 KV
	VHB150W-Q48-S5	...	220 $\mu$ F/100 V KY	1000 pF / 2 KV	...	1000 pF / 2 KV	560 pF/2 KV
VFM-25C	VHK200W	...	...	...	...	...	...

Figure 4

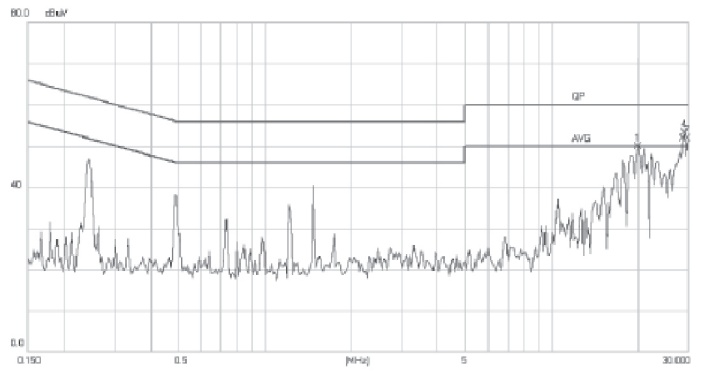


2) Conducted Emission Measurement

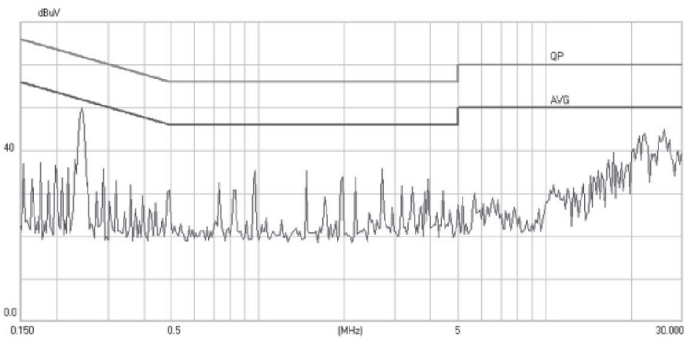
**FILTER MODEL (VFM-10A)**  
**DC-DC CONVERTER MODEL: VHB50W-Q24-S5**  
 **$V_{in} = 12\text{ Vdc}$**



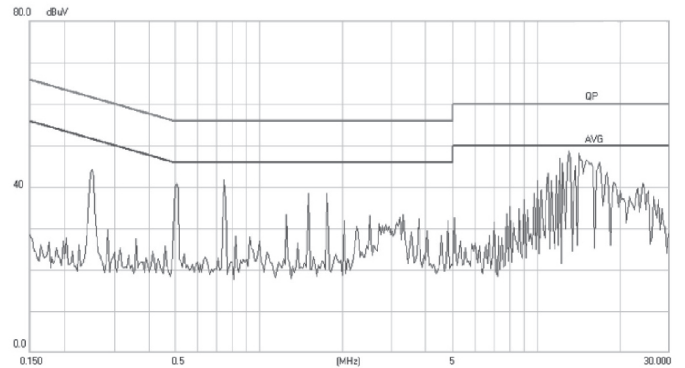
**FILTER MODEL (VFM-15C)**  
**DC-DC CONVERTER MODEL: VHK200W-Q48-S12**  
 **$V_{in} = 48\text{ Vdc}$**



**FILTER MODEL (VFM-20A)**  
**DC-DC CONVERTER MODEL: VHB150W-Q24-S5**  
 **$V_{in} = 12\text{ Vdc}$**



**FILTER MODEL (VFM-25C)**  
**DC-DC CONVERTER MODEL: VHK200W-Q24-S12**  
 **$V_{in} = 24\text{ Vdc}$**





## REVISION HISTORY

---

rev.	description	date
1.0	initial release	01/01/2017
1.01	specification updated to a new CUI template	01/17/2022

The revision history provided is for informational purposes only and is believed to be accurate.



**CUI INC**

a bel group

**Headquarters**  
20050 SW 112th Ave.  
Tualatin, OR 97062  
**800.275.4899**

Fax 503.612.2383  
**cui.com**  
techsupport@cui.com

CUI offers a two (2) year limited warranty. Complete warranty information is listed on our website.

CUI reserves the right to make changes to the product at any time without notice. Information provided by CUI is believed to be accurate and reliable. However, no responsibility is assumed by CUI for its use, nor for any infringements of patents or other rights of third parties which may result from its use.

CUI products are not authorized or warranted for use as critical components in equipment that requires an extremely high level of reliability. A critical component is any component of a life support device or system whose failure to perform can be reasonably expected to cause the failure of the life support device or system, or to affect its safety or effectiveness.

# Mouser Electronics

Authorized Distributor

Click to View Pricing, Inventory, Delivery & Lifecycle Information:

[CUI Inc.:](#)

[VFM-25C](#) [VFM-15C](#) [VFM-10A](#) [VFM-20A](#)