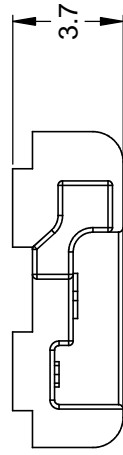
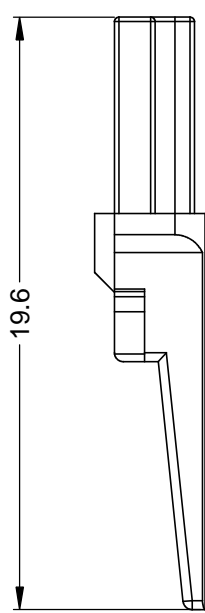
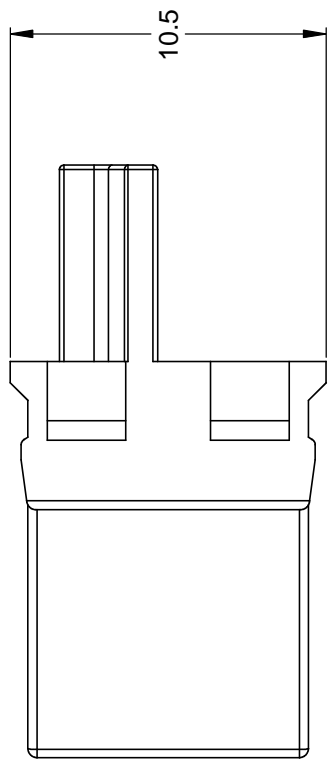
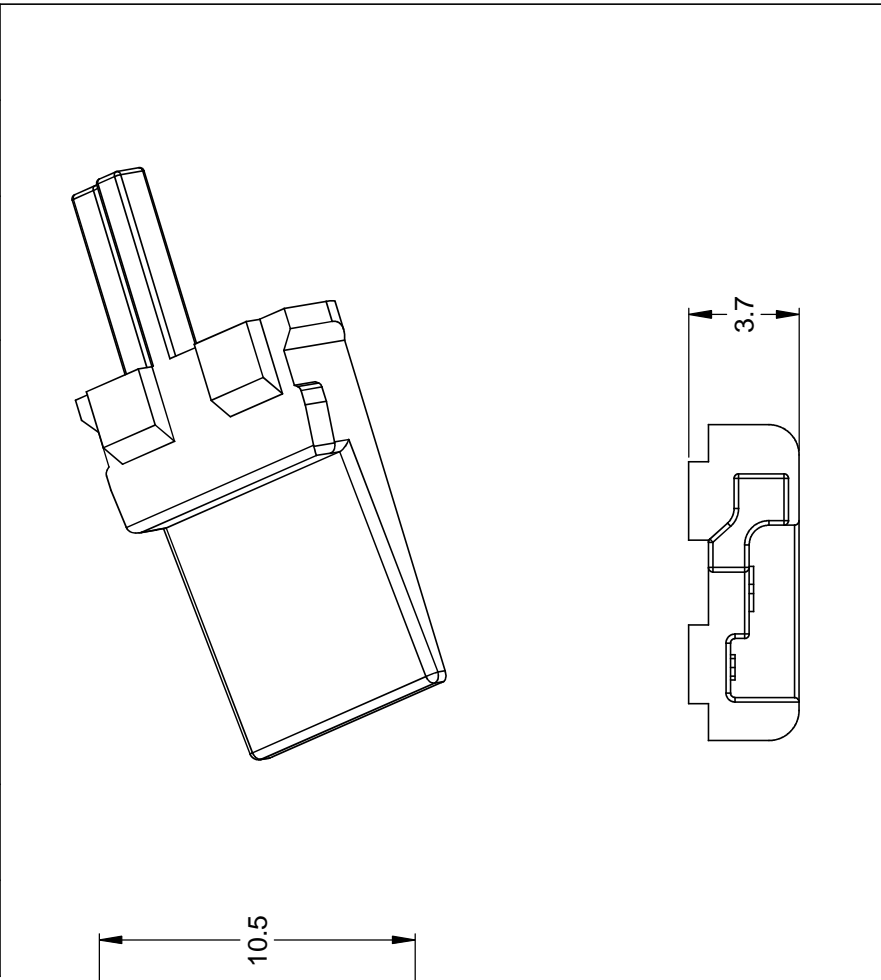


REVOLUTIONS			
REV	ECO	DESCRIPTION	DATE
A1		RELEASE CUSTOMER DRAWING	30/JUN/14



- NOTES: UNLESS OTHERWISE SPECIFIED
1. MATERIAL: THERMOPLASTIC; COLOR: GREY
  2. RoHS COMPLIANT
  3. CAVITIES: 2
  4. KEYED: KEY "A" CONFIGURATION
  5. USE WITH CONNECTORS AT04-2P\*  
(\* = MODIFICATIONS AND/OR COLORS)
  6. ALL DIMENSIONS ARE FOR REFERENCE USE ONLY.

QUANTITY	AW2P-A	PART NUMBER	DESCRIPTION	ITEM
<b>MATERIALS LIST</b>				
UNLESS OTHERWISE SPECIFIED		SIGNATURES	DATE	
1) All dimensions are in metric (mm).		DRAWN: JARRY	30/JUN/14	
2) Tolerances are as follows:		CHECKED:		
1 PL DEC ±0.30      Fractions ±1/64		ENGINEER:		
2 PL DEC ±0.15      Angles ±1°		APPROVAL:		
3) Note reference =		CUSTOMER:		
MATERIAL SPECIFICATIONS:				
PROCESS SPECIFICATIONS:				
NEXT ASSY:				
THIS DRAWING IS SUPPLIED FOR INFORMATION ONLY. DESIGN FEATURES, SPECIFICATIONS AND PERFORMANCE DATA SHOWN HEREON ARE THE PROPERTY OF THE AMPHENOL CORPORATION. NO RIGHTS ARE RESERVED. ALL DIMENSIONS ARE SUBJECT TO NORMAL MANUFACTURING VARIATIONS.		Sine Systems - www.amphenol-sine.com 44724 Morley Drive Clinton Township, MI 48036		
P-WEDGELOCK, 2 POSITION, A KEY, AT SERIES		SIZE	TYPE	REVISION
		A	C-	A1
		SCALE: NONE	DWG NO: AW2P-A	
			SHEET 1	OF 1