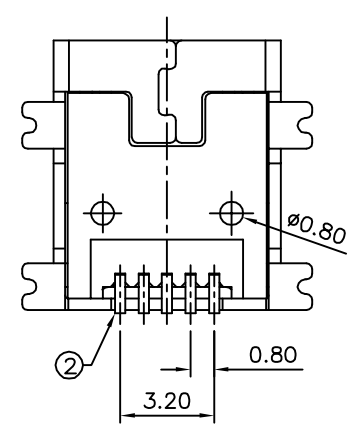
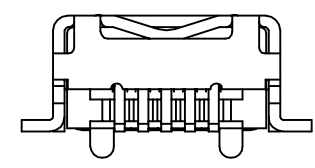
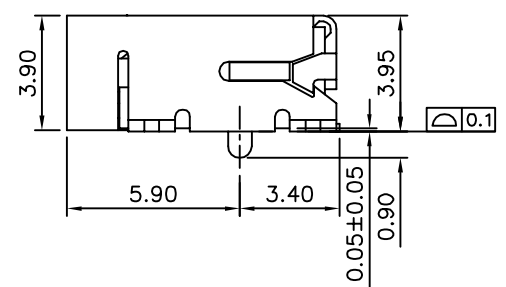
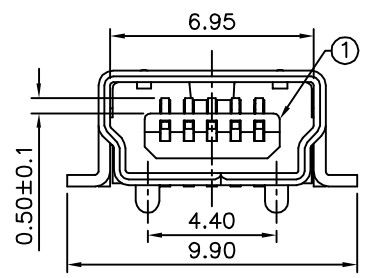


Recommended P.C.B. Layout
(PCB Board Tolerance ± 0.05)



RoHS Compliant

No.	Description	Q'ty	Material	Remark
①	Housing	1	Thermoplastic, UL94V-0	Black
②	Contact	1	Copper Alloy	Gold Plated 30u" On Contact Area, Tin Plated On Solder Tails, Over Nickel
③	Shell	1	Copper Alloy	Tin Plated Over Nickel
④	Mylar	1	8.2X6mm	Yellow

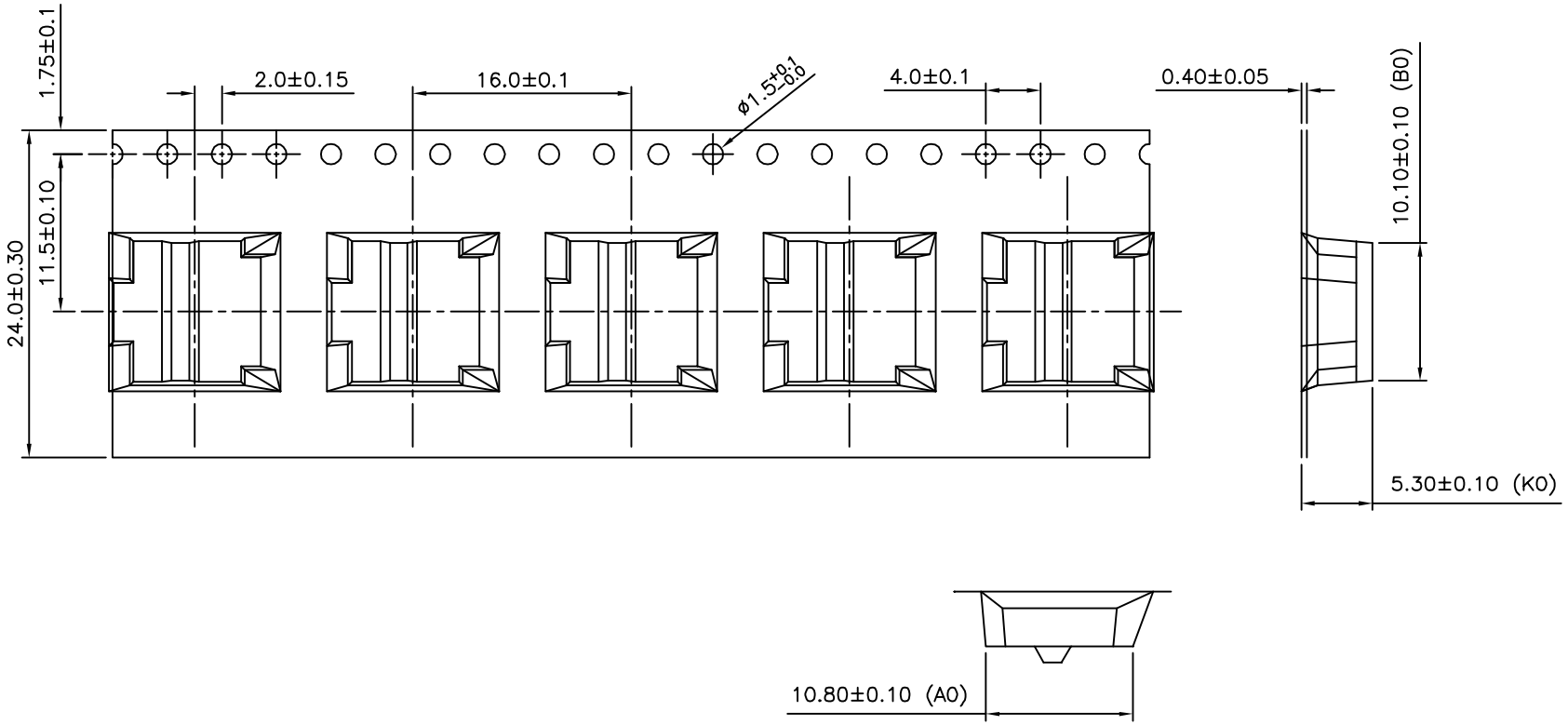
4UCON 元化興業股份有限公司
4UCON TECHNOLOGY INC.

DRAWING No.		APPROVED BY		UNLESS OTHERWISE SPECIFIED TOLERANCES ARE .X ±0.25 X.* ±5" .XX ±0.13 X.* ±2" .XXX ±0.08 .XX* ±1"
14850		MEI		
		CHECKED BY		
		HZF		
		DRAWING BY		
		SONG		
SCALE	NONE	REV.	A0	UNIT mm

NO.	REV.	REVISIONS	CHK	DATE
△ A0		NEW RELEASE	HZF	09/27/2011

SPECIFICATION

10 Sprocket Hole Pitch Cumulative Tolerance $\pm 0.2\text{mm}$
 Carrier Camber Not To Exceed 1mm In 100mm
 AO And B0 Measured On A Plane 0.3mm Above The Bottom Of The Pocket
 KO Measured From A Plane On The Inside Bottom Of The Pocket To The Top Surface Of The Carrier
 All Dimensions Meet EIA-481-C Requirements
 Material: Transtang ANTI-Static Polystyrene
 Packing Length Per 13" Reel: 14 M
 Component Load Per 13" Reel: 800 PCS
 RoHS Compliant



4UCON 元化興業股份有限公司
 4UCON TECHNOLOGY INC.

DRAWING No.		APPROVED BY		UNLESS OTHERWISE SPECIFIED TOLERANCES ARE .X ± 0.30 X" $\pm 5^\circ$.XX ± 0.20 .X" $\pm 2^\circ$.XXX ± 0.10 .XX" $\pm 1^\circ$
14850		MEI		
		HZF		
		DRAWING BY		UNIT
		SONG		mm
SCALE	NONE	REV.	AO	

NO.	REV.	REVISIONS	CHK	DATE
△	A0	NEW RELEASE	HZF	09/27/2011

Mouser Electronics

Authorized Distributor

Click to View Pricing, Inventory, Delivery & Lifecycle Information:

[Adafruit:](#)

[1764](#)