



1 W

DC- 3 GHz

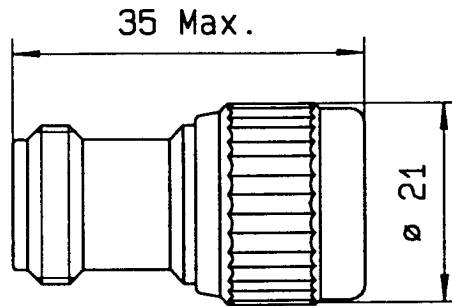
N

COAXIAL ATTENUATOR

Issue
17.Apr.96

Page
1 / 1

DRAWING



General tolerances: +/- 0.5 mm

R F CHARACTERISTICS

FREQUENCY RANGE : DC - 3 GHz
 IMPEDANCE : 50 Ohms
 ATTENUATION - NOMINAL : 3 dB

FREQUENCY	DC- 2 GHz	2 - 3 GHz
V.S.W.R	<= 1.20	<= 1.30
DEVIATION (dB)	+0.3 / -0.3	+0.5 / -0.5

PEAK POWER at 25°C (1µs,1%) : 100 W
 AVERAGE POWER at 25°C : 1 W

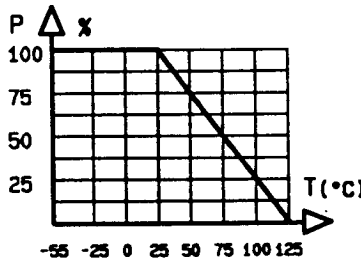
MECHANICAL CHARACTERISTICS

CONNECTORS : N male/female per MIL-C 39012
 WEIGHT : < 43 g

ENVIRONMENTAL CHARACTERISTICS

OPERATING TEMPERATURE RANGE (°C) : -40 , +85
 STORAGE TEMPERATURE RANGE (°C) : -40 , +85

Power derating
Versus temperature



This information is given as an indication. In the continual goal to improve our products, we reserve the right to make any modifications judged necessary.

4112-9212

CREATION				
N° :				
PEN/EP: EPH9403				
Name: RP				
Date: 29. jun. 95	17.Apr.96	weight: 40->43 g	RP	VE
APP.: VE	ISSUE	REVISIONS	NAME	APPR.

RADIAL[®]
 101. rue P. Hoffmann - Z.I Ouest -
 93116 ROSNY/BOIS Cedex-FRANCE
 Phone : 33(1)49353535
 Fax : 33(1)48546363
 Tvx. RADIA 235220F



1 W

DC- 3 GHz

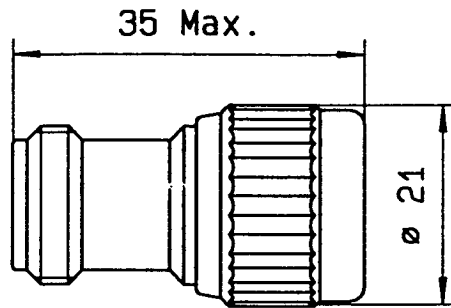
N

COAXIAL ATTENUATOR

Issue
17. Apr. 96

Page
1 / 1

DRAWING



General tolerances: +/- 0.5 mm

R F CHARACTERISTICS

FREQUENCY RANGE : DC - 3 GHz
 IMPEDANCE : 50 Ohms
 ATTENUATION - NOMINAL : 6 dB

FREQUENCY	DC- 2 GHz	2 - 3 GHz
V.S.W.R	<= 1.20	<= 1.30
DEVIATION (dB)	+0.3 / -0.3	+0.5 / -0.5

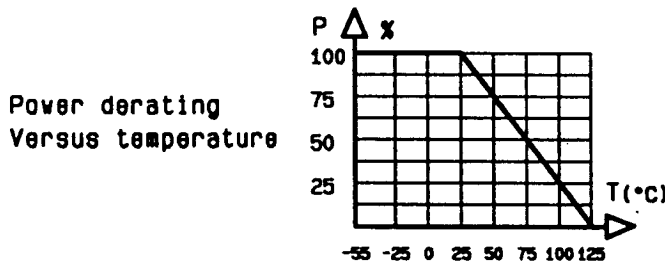
PEAK POWER at 25°C (1µs,1%) : 100 W
 AVERAGE POWER at 25°C : 1 W

MECHANICAL CHARACTERISTICS

CONNECTORS : N male/female per MIL-C 39012
 WEIGHT : < 43 g

ENVIRONMENTAL CHARACTERISTICS

OPERATING TEMPERATURE RANGE (°C) : -40 , +85
 STORAGE TEMPERATURE RANGE (°C) : -40 , +85



This information is given as an indication. In the continual goal to improve our product we reserve the right to make any modifications judged necessary.

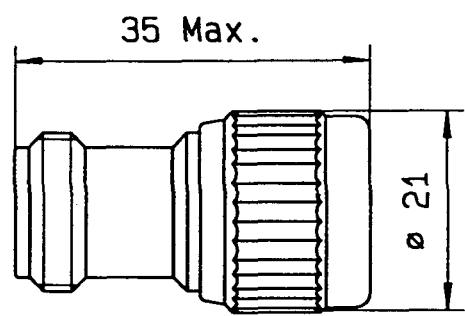
4112-9212

CREATION				
N° :				
PEN/EP: EPH9403				
Name: RP				
Date: 29. jun. 95	17. Apr. 96	weight: 40->43 g	RP	VE
APP.: VE	ISSUE	REVISIONS	NAME	APPR.

RADIALL®
 101. rue P. Hoffmann - Z.I. Ouest -
 93116 ROSNY/BOIS Cedex - FRANCE
 Phone: 33(1)49353535
 Fax : 33(1)48546363
 Tvx RADIA 235220F

This information is given as an indication. In the continual goal to improve our product we reserve the right to make any modifications judged necessary

DRAWING



General tolerances: +/- 0.5 mm

R F CHARACTERISTICS

FREQUENCY RANGE : DC - 3 GHz
 IMPEDANCE : 50 Ohms
 ATTENUATION - NOMINAL : 10 dB

FREQUENCY	DC- 2 GHz	2 - 3 GHz
V.S.W.R	<= 1.20	<= 1.30
DEVIATION (dB)	+0.5 / -0.5	+0.5 / -0.5

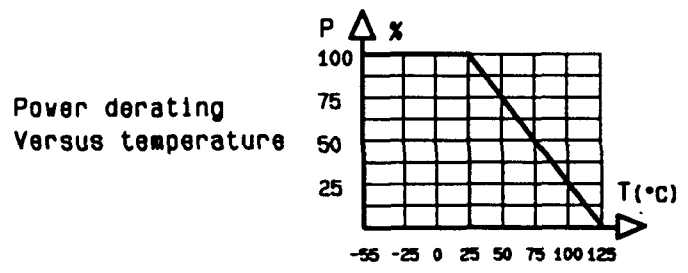
PEAK POWER at 25°C (1µs,1%) : 100 W
 AVERAGE POWER at 25°C : 1 W

MECHANICAL CHARACTERISTICS

CONNECTORS : N male/female per MIL-C 39012
 WEIGHT : < 43 g

ENVIRONMENTAL CHARACTERISTICS

OPERATING TEMPERATURE RANGE (°C) : -40 , +85
 STORAGE TEMPERATURE RANGE (°C) : -40 , +85



CREATION				
N° :				
PEN/EP:EPH9403				
Name:RP				
Date:29. jun.95	17.Apr.96	weight: 40->43 g	FP	VE
APP.:VE	ISSUE	REVISIONS	NAME	APPR.

RADIALl®
 101. rue P. Hoffmann -Z.I Ouest-
 93116 ROSNY/BOIS Cedex-FRANCE
 Phone:33(1)49363535
 Fax :33(1)48546363
 Tvx RADIA 235220F

This information is given as an indication. In the continual goal to improve our products, we reserve the right to make any modifications judged necessary



RADIALL®
Microwave components

TECHNICAL DATA SHEET

R412720124

1 W

DC- 3 GHz

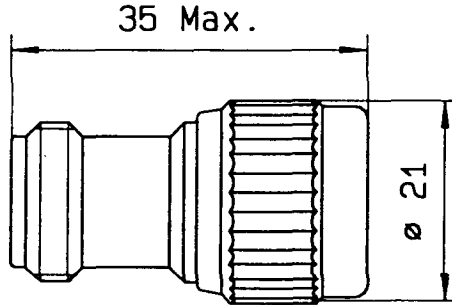
N

COAXIAL ATTENUATOR

issue
05. jun. 97

Page
1 / 1

DRAWING



General tolerances: +/- 0.5 mm

R F CHARACTERISTICS

FREQUENCY RANGE : DC - 3 GHz
 IMPEDANCE : 50 Ohms
 ATTENUATION - NOMINAL : 20 dB

FREQUENCY	DC- 2 GHz	2 - 3 GHz
V.S.W.R	<= 1.20	<= 1.30
DEVIATION (dB)	+0.7 / -0.7	+1.0 / -1.0

PEAK POWER at 25°C (1µs,1%.) : 100 W
 AVERAGE POWER at 25°C : 1 W

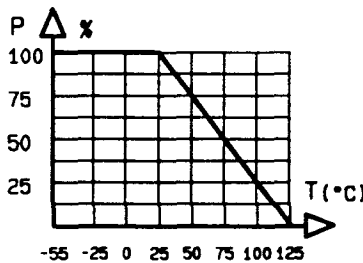
MECHANICAL CHARACTERISTICS

CONNECTORS : N male/female per MIL-C 39012
 WEIGHT : < 43 g

ENVIRONMENTAL CHARACTERISTICS

OPERATING TEMPERATURE RANGE (°C) : -40 , +85
 STORAGE TEMPERATURE RANGE (°C) : -40 , +85

Power derating
Versus temperature



4112-9212

CREATION				
N° :				
PEN/EP: EPH9403				
Name: RP	05. jun. 97	Change of attenuation deviation (H97061)	JL	VE
Date: 29. jun. 95	17. Apr. 95	weight: 40->43 g	FP	VE
APP.: VE	ISSUE	REVISIONS	NAME	APPR.

RADIALL®
 101. rue P. Hoffmann - Z.I Ouest -
 93116 ROSNY/BOIS Cedex-FRANCE
 Phone: 33(1)49353535
 Fax : 33(1)48546363
 Tlx RADIA 235220F



RADIALL[®]
MICRONDE department

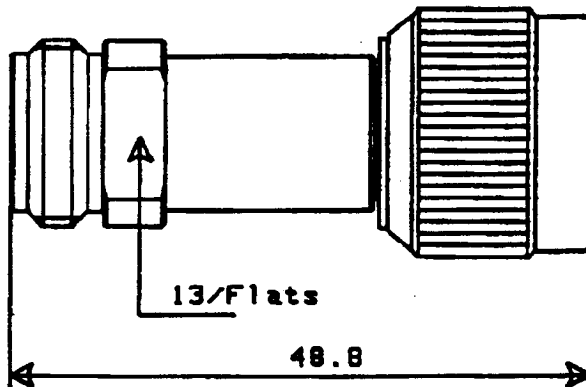
R414 703 000

**TECHNICAL
DATA SHEET**

TITLE N DC - 12.4 GHz STANDARD COAXIAL ATTENUATOR

LTR. B

DRAWING:



GENERAL TOLERANCES : ± 0.5 mm

ELECTRICAL CHARACTERISTICS :

FREQUENCY RANGE : DC - 12.4 GHz
 IMPEDANCE : 50 Ohms
 ATTENUATION - NOMINAL : 3 dB

FREQUENCY (GHz)	VSWR (max.)	ATTENUATION - ACCURACY (± dB)
DC - 4	1.12	0.3
4 - 8	1.15	0.5
8 - 12.4	1.20	0.7

MAXIMUM INPUT POWER

- AVERAGE (25°C) Cw : 3 W Derate linearly
to 0.5 W at 125°C
 - PEAK (25°C) : 100 W (1 μS 1X.)

MECHANICAL CHARACTERISTICS:

CONNECTORS : N male/female per MIL C 39012
 WEIGHT : 54 grams

ENVIRONMENTAL CHARACTERISTICS:

OPERATING TEMPERATURE RANGE : - 55°C + 125°C
 STORAGE TEMPERATURE RANGE : - 55°C + 125°C

PEN

CAT

PAGE

1/4

QUALITY Dpt App.
MO 21 SEP 1989

A

DATE

09/09/89

NAME

K. LUCIEN

LTR

B New forest

01/05/89 K.L.

REVISIONS

DATE APP.



RADIALL
MICRONDE department

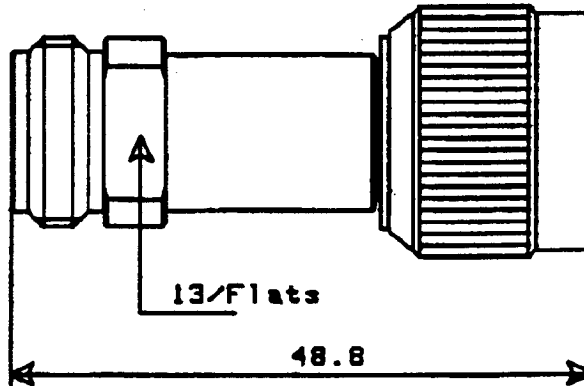
R414706000

**TECHNICAL
DATA SHEET**

TITLE N DC - 12.4 GHz STANDARD COAXIAL ATTENUATOR

LTR. B

DRAWING:



GENERAL TOLERANCES : ± 0.5 mm

ELECTRICAL CHARACTERISTICS :

FREQUENCY RANGE : DC - 12.4 GHz
 IMPEDANCE : 50 Ohms
 ATTENUATION - NOMINAL : 6 dB

FREQUENCY (GHz)	VSWR (max.)	ATTENUATION - ACCURACY (± dB)
DC - 4	1.12	0.3
4 - 8	1.15	0.5
8 - 12.4	1.20	0.7

MAXIMUM INPUT POWER

- AVERAGE (25°C) Cw : 2.5 W Derate linearly to 0.5 W at 125°C
 - PEAK (25°C) : 100 W (1 μS 1%.)

MECHANICAL CHARACTERISTICS:

CONNECTORS : N male/female per MIL C 39012
 WEIGHT : 54 grams

ENVIRONMENTAL CHARACTERISTICS:

OPERATING TEMPERATURE RANGE : - 55°C + 125°C
 STORAGE TEMPERATURE RANGE : - 55°C + 125°C

PEN

QUALITY Dpt App.
MO 21 SEP. 1989

CAT

A

PAGE

DATE
85/05/89

NAME

K.LUCIEN

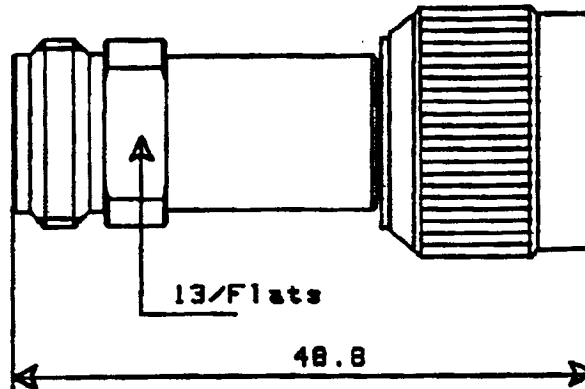
LTR

B New format

85/05/89 K.L

REVISIONS

DATE APP.

R**RADIALL**
MICRONDE department**R414710 000****TECHNICAL
DATA SHEET**TITLE **N DC - 12.4 GHz STANDARD COAXIAL ATTENUATOR**LTR. **B**DRAWING:GENERAL TOLERANCES : ± 0.5 mmELECTRICAL CHARACTERISTICS :

FREQUENCY RANGE : DC - 12.4 GHz
 IMPEDANCE : 50 Ohms
 ATTENUATION - NOMINAL : 10 dB

FREQUENCY (GHz)	VSWR (max.)	ATTENUATION - ACCURACY (\pm dB)
DC - 4	1.12	0.3
4 - 8	1.15	0.5
8 - 12.4	1.20	0.7

MAXIMUM INPUT POWER

- AVERAGE (25°C) C_{av} : 2 W Derate linearly
to 0.5 W at 125°C
 - PEAK (25°C) : 100 W (1 μ S 1%.)

MECHANICAL CHARACTERISTICS:

CONNECTORS : N male/female per MIL C 39012
 WEIGHT : 54 grams

ENVIRONMENTAL CHARACTERISTICS:

OPERATING TEMPERATURE RANGE : - 55°C + 125°C
 STORAGE TEMPERATURE RANGE : - 55°C + 125°C

PEN
CAT

MO	QUALITY Dpt App. 03.07.89
A	

PAGE
1/1DATE
10/05/89NAME
K. LUCIEN

LTR

B NEW FORMAT

REVISIONS

10/05/89 K.L.

DATE APP.



RADIALL
MICRONDE department

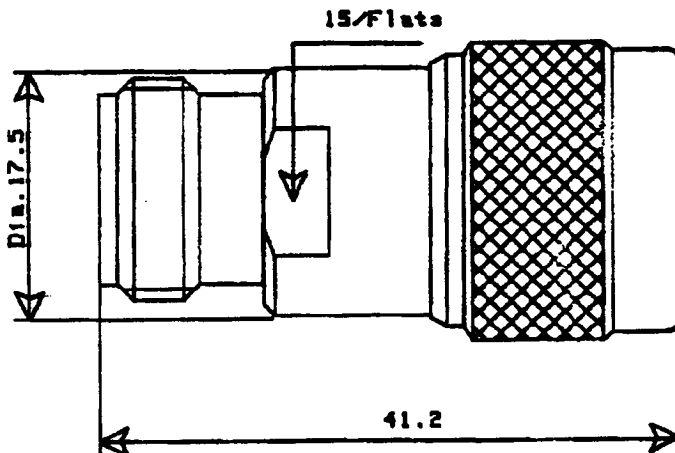
R 414703 161

**TECHNICAL
DATA SHEET**

TITLE N 18 GHz FLAT FREQUENCY RESPONSE COAXIAL ATTENUATOR

LTR. B

DRAWING:



GENERAL TOLERANCES : ± 0.5 mm

ELECTRICAL CHARACTERISTICS :

FREQUENCY RANGE : DC - 18 GHz
 IMPEDANCE : 50 Ohms
 ATTENUATION - NOMINAL : 3 dB

FREQUENCY (GHz)	VSWR (max.)	ATTENUATION - ACCURACY (± dB)
DC - 4	1.15	0.4
4 - 8	1.20	
8 - 12.4	1.25	
12.4 - 18	1.35	

MAXIMUM INPUT POWER

- AVERAGE (25°C) Cw : 2 W Derate linearly to 0.5 W at 125°C
 - PEAK (25°C) : 100 W (1 μS 1%.)

MECHANICAL CHARACTERISTICS:

CONNECTORS : N male/female per MIL C 39812
 WEIGHT : 60 grams

ENVIRONMENTAL CHARACTERISTICS:

OPERATING TEMPERATURE RANGE : - 55°C - 125°C
 STORAGE TEMPERATURE RANGE : - 55°C + 125°C

Tentative data subject to change without notice.

3294 - 8902

PEN 95107/ 3	QUALITY Dpt App. MO A	21 SEP. 1989			
PAGE 1/1	DATE 19/08/88	NAME K. LUCIEN	B New format	2/11/89 K.L.	
			LTR	REVISIONS	DATE APP.



RADIALL[®]
MICRONDE department

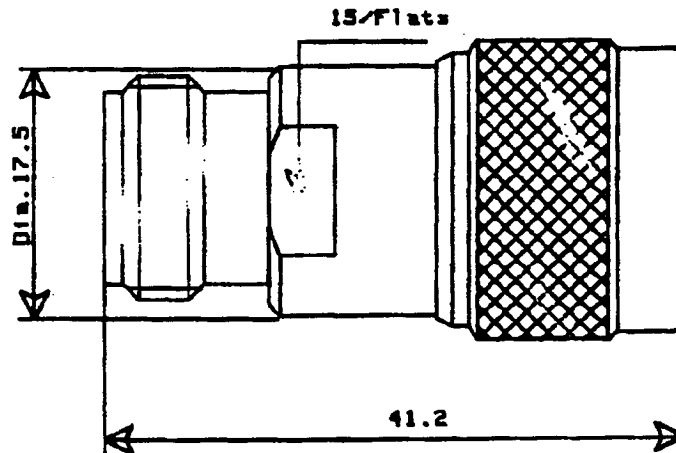
R 414706161

**TECHNICAL
DATA SHEET**

TITLE N 18 GHz FLAT FREQUENCY RESPONSE COAXIAL ATTENUATOR

LTR. B

DRAWING:



GENERAL TOLERANCES : ± 0.5 mm

ELECTRICAL CHARACTERISTICS :

FREQUENCY RANGE : DC - 18 GHz
IMPEDANCE : 50 Ohms
ATTENUATION - NOMINAL : 6 dB

FREQUENCY (GHz)	VSWR (max.)	ATTENUATION - ACCURACY (± dB)
DC - 4	1.15	8.4
4 - 8	1.20	
8 - 12.4	1.25	
12.4 - 18	1.35	

MAXIMUM INPUT POWER

- AVERAGE (25°C) Cw : 2 W Derate linearly to 0.5 W at 125°C
 - PEAK (25°C) : 100 W (1 μS 1X.)

MECHANICAL CHARACTERISTICS:

CONNECTORS : N male/female per MIL C 39812
WEIGHT : 50 grams

ENVIRONMENTAL CHARACTERISTICS:

OPERATING TEMPERATURE RANGE : - 55°C + 125°C
STORAGE TEMPERATURE RANGE : - 55°C + 125°C

Tentative data subject to change without notice.

PEN 95187/ 6	QUALITY Dept. App. MO 21 SEP. 1989 A				
PAGE 1/1	DATE 19/88/88	NAME K. LUCIEN	B New format		2/14/88 K.L.
		LTR:	REVISIONS	DATE	APP.

3294 - 8902



RADIALL[®]
MICRONDE department

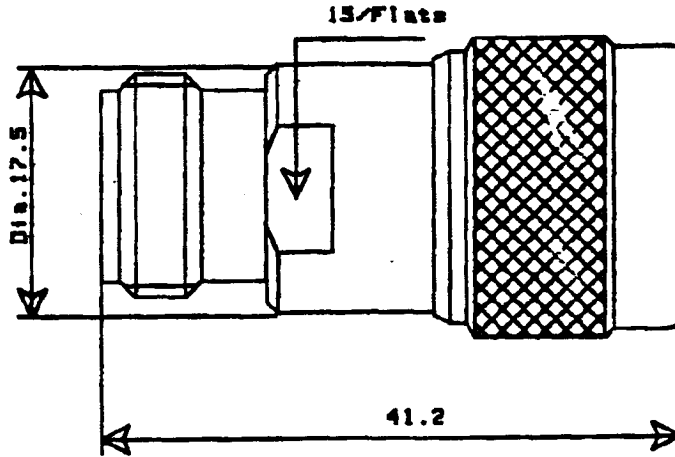
R 414710 161

**TECHNICAL
DATA SHEET**

TITLE N 18 GHz FLAT FREQUENCY RESPONSE COAXIAL ATTENUATOR

LTR. B

DRAWING:



GENERAL TOLERANCES : ± 0.3 mm

ELECTRICAL CHARACTERISTICS :

FREQUENCY RANGE : DC - 18 GHz
 IMPEDANCE : 50 Ohms
 ATTENUATION - NOMINAL : 10 dB

FREQUENCY (GHz)	VSWR (max.)	ATTENUATION - ACCURACY (± dB)
DC - 4	1.15	0.5
4 - 8	1.20	
8 - 12.4	1.25	
12.4 - 18	1.35	

MAXIMUM INPUT POWER

- AVERAGE (25°C) Cw : 2 W Derate linearly
to 0.5 W at 125°C
 - PEAK (25°C) : 100 W (1 μS 1%.)

MECHANICAL CHARACTERISTICS:

CONNECTORS : N male/female per MIL C 39012
 HEIGHT : 60 grams

ENVIRONMENTAL CHARACTERISTICS:

OPERATING TEMPERATURE RANGE : - 55°C + 125°C
 STORAGE TEMPERATURE RANGE : - 55°C + 125°C

Tentative data subject to change without notice.

PEN 95107/10	QUALITY Dept. App. MO 21 SEP 1989				
	A				
PAGE 1/1	DATE 19/08/88	NAME K. LUCIEN	LTR	B New format	25/08/88 K.L.
REVISIONS				DATE	APP.



RADIALL[®]
MICRONDE department

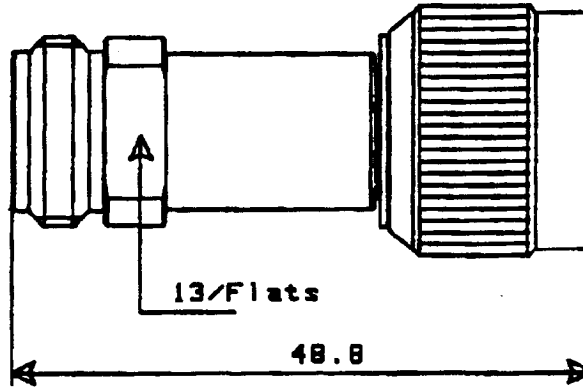
R 414720000

**TECHNICAL
DATA SHEET**

TITLE **N DC - 12.4 GHz STANDARD COAXIAL ATTENUATOR**

LTR. **B**

DRAWING:



GENERAL TOLERANCES : ± 0.5 mm

ELECTRICAL CHARACTERISTICS :

FREQUENCY RANGE : DC - 12.4 GHz
 IMPEDANCE : 50 Ohms
 ATTENUATION - NOMINAL : 20 dB

FREQUENCY (GHz)	VSWR (max.)	ATTENUATION - ACCURACY (\pm dB)
DC - 4	1.12	0.5
4 - 8	1.15	
8 - 12.4	1.20	0.7

MAXIMUM INPUT POWER

- AVERAGE (25°C) Cw : 2 W Derate linearly
to 0.5 W at 125°C
 - PEAK (25°C) : 100 W (1 μ S 1%.)

MECHANICAL CHARACTERISTICS:

CONNECTORS : N male/female per MIL C 39012
 WEIGHT : 54 grams

ENVIRONMENTAL CHARACTERISTICS:

OPERATING TEMPERATURE RANGE : - 55°C + 125°C
 STORAGE TEMPERATURE RANGE : - 55°C + 125°C

Tentative data subject to change without notice.

PEN CAT	QUALITY Dpt App. MO 03.07.89				
	A				
PAGE 1/1	DATE 18/05/89	NAME K. LUCIEN	B	New format	18/05/89 K.L.
		LTR	REVISIONS		DATE APP.



RADIALL[®]
MICRONDE department

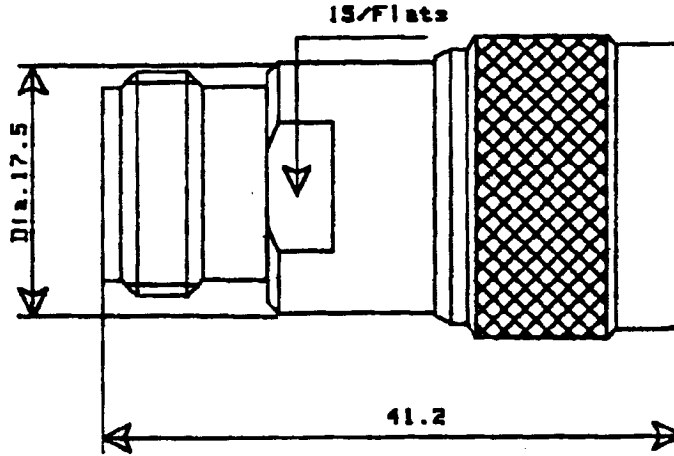
R414720161

**TECHNICAL
DATA SHEET**

TITLE N 18 GHz FLAT FREQUENCY RESPONSE COAXIAL ATTENUATOR

LTR. B

DRAWING:



GENERAL TOLERANCES : ± 0.5 mm

ELECTRICAL CHARACTERISTICS :

FREQUENCY RANGE : DC - 18 GHz
 IMPEDANCE : 50 Ohms
 ATTENUATION - NOMINAL : 20 dB

FREQUENCY (GHz)	VSWR (max.)	ATTENUATION - ACCURACY (± dB)
DC - 4	1.15	0.5
4 - 8	1.20	
8 - 12.4	1.25	
12.4 - 18	1.35	

MAXIMUM INPUT POWER

- AVERAGE (25°C) Cw : 2 W Derate linearly to 0.5 W at 125°C
 - PEAK (25°C) : 100 W (1 μS 1%.)

MECHANICAL CHARACTERISTICS:

CONNECTORS : N male/female per MIL C 39012
 WEIGHT : 60 grams

ENVIRONMENTAL CHARACTERISTICS:

OPERATING TEMPERATURE RANGE : - 55°C + 125°C
 STORAGE TEMPERATURE RANGE : - 55°C + 125°C

Tentative data subject to change without notice.

PEN 95187/20	QUALITY Dpt. App. MO 21 SEP. 1989			
	A			
PAGE 1/1	DATE 19/08/88	NAME K. LUCIEN	B New format	26/04/89 K.L.
LTR			REVISIONS	DATE APP.