

Sealed 2.8 Receptacle Housings with Secondary Locking

Technical Features

No. of Positions:

21 Positions

Housing Material:

PBT-GF20

Wire Size Range:

2.5 mm² FLR Max.

Extraction Tool:

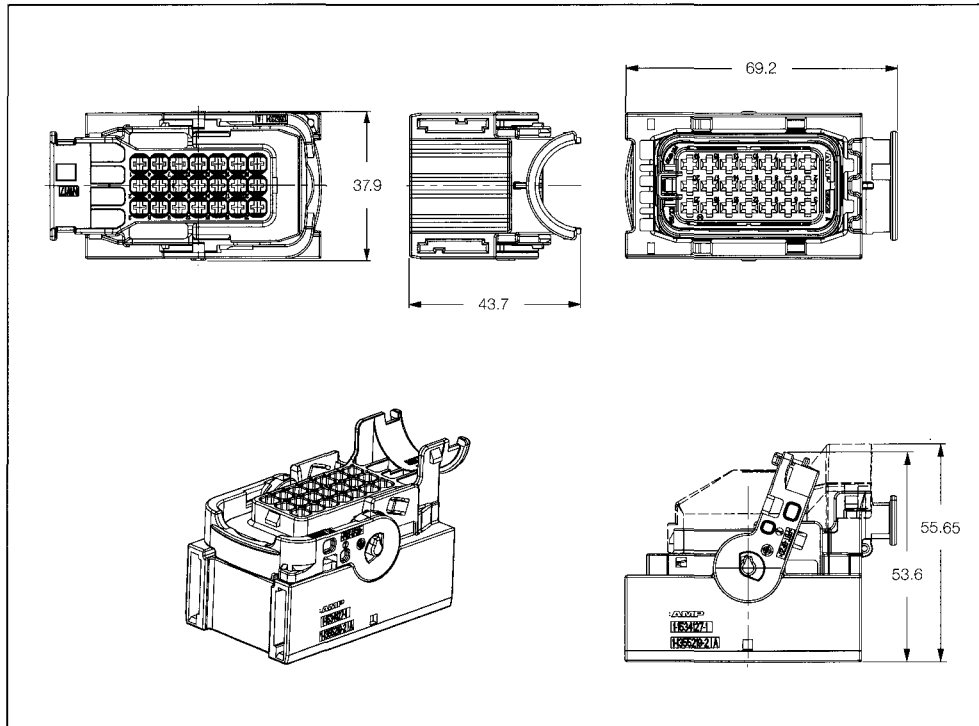
Part No. 1-1579007-2

Product Specification:

108-18696

Application Specification:

114-18376



Sealed 2.8 Receptacle Housings with Secondary Locking

No. of Positions	Keying Options	Housing Color	Part Numbers			
			Receptacle Housing	Package Quantity	Cover	Mating Vertical PCB Header
21	A	Black	1-1534127-1	-	9-1394050-1	1534238-1
	B	Natural	2-1534127-1	-		
	C	Blue	3-1534127-1	-		
	D	Violet	4-1534127-1	-		