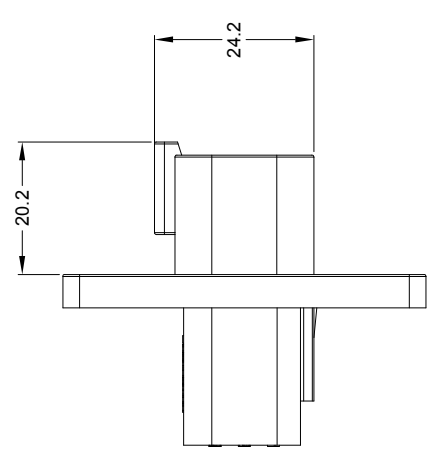
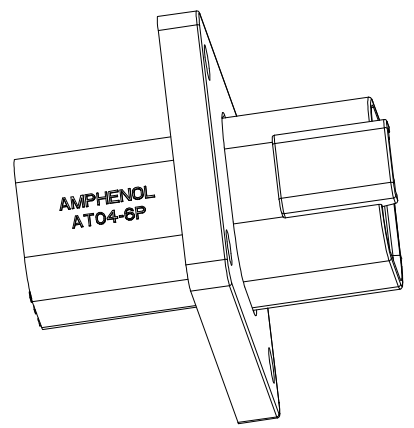
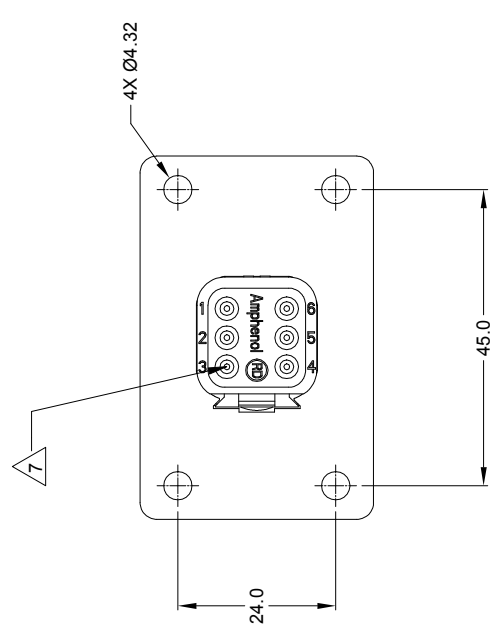
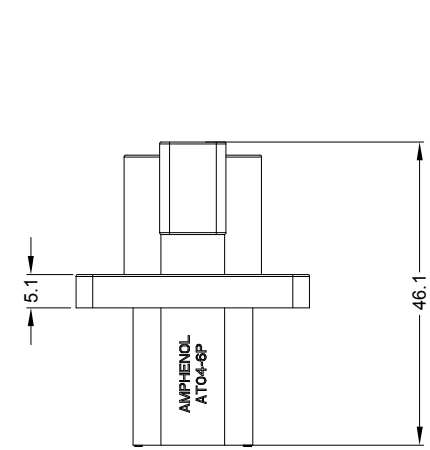
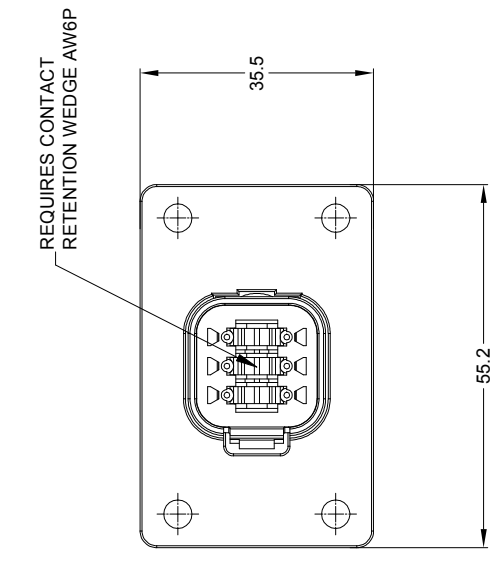


REVISIONS			
REV	ECO	DESCRIPTION	DATE
A1	-	RELEASE NUMBER	30/NOV/18



- NOTES: UNLESS OTHERWISE SPECIFIED
- COLOR: BLACK
  - MATERIAL:  
HOUSING: THERMOPLASTIC  
SEAL: SILICONE RUBBER
  - MODIFICATIONS: FLANGE, REDUCED DIA. WIRE SEAL
  - SPECIFICATIONS:
    - CURRENT RATING: 13 AMPS
    - OPERATING TEMPERATURE: -55°C TO +125°C
    - DIELECTRIC WITHSTANDING VOLTAGE: LESS THAN 2 MILLIAMPS CURRENT LEAKAGE @ 1500 VOLTS AC
    - INSULATION RESISTANCE: 1000 MEGOHMS MIN @ 25°C
    - MOISTURE RESISTANCE: IP67 ( MATED CONDITION )
    - MATING CYCLE DURABILITY: 100 CYCLES
    - RoHS COMPLIANT
  - MATING PART: AT06-6S\* PLUG.  
(\* = MODIFICATIONS AND COLORS )
  - ALL DIMENSIONS ARE FOR REFERENCE USE ONLY.

QUANTITY	PART NUMBER	DESCRIPTION	ITEM
	AT04-6P-CL06		
<b>MATERIALS LIST</b>			
UNLESS OTHERWISE SPECIFIED	SIGNATURES	DATE	
1) All dimensions are in metric (mm).	DRAWN: ROOKE	30/NOV/18	
2) Tolerances are as follows:	CHECKED: OROH	30/NOV/18	
1 F1, DEC ±0.30	ENGINEER:		
3 F1, DEC ±0.08	APPROVAL: TOMMY	30/NOV/18	
3) Note reference =	CUSTOMER:		
	MATERIAL SPECIFICATIONS:		
	THIS DRAWING IS SUPPLIED FOR YOUR USES. SPECIFICATIONS AND PERFORMANCE DATA SHOWN HEREON ARE THE PROPERTY OF AMPHENOL. ALL RIGHTS RESERVED. ALL DIMENSIONS ARE SUBJECT TO NORMAL MANUFACTURING VARIATIONS.		
	PROCESS SPECIFICATIONS:		
	NEXT ASSY:		
	SIZE	DWG NO.	REVISION
	B C-	AT04-6P-CL06	A1
	TYPE	SCALE	SHEET 1 OF 2
	NONE		2

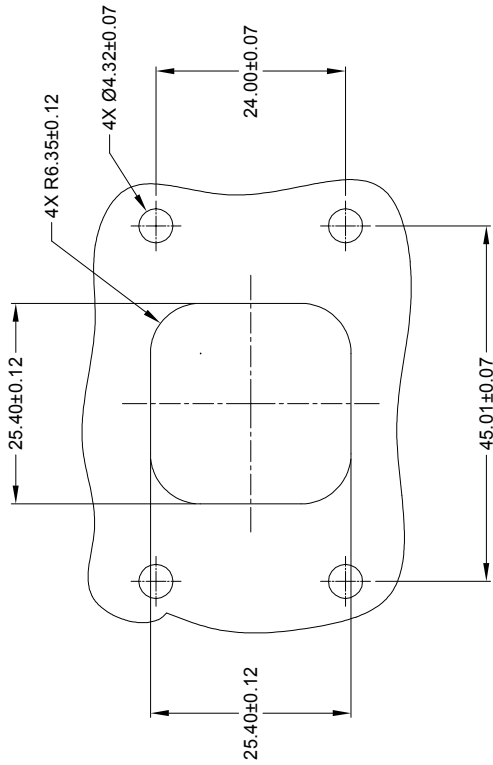
**Amphenol**  
Sine Systems - www.amphenol-sine.com  
44724 Morley Drive  
Clinton Township, MI 48036

CONTACT SIZE	MIN. INSUL O.D.	MAX. INSUL O.D.	TYPICAL WIRE RANGE
16	1.35 mm (.053 in)	3.05 mm (.120 in)	14 - 20 AWG

CONTACT SIZE AND REAR SEAL WIRE RANGE:

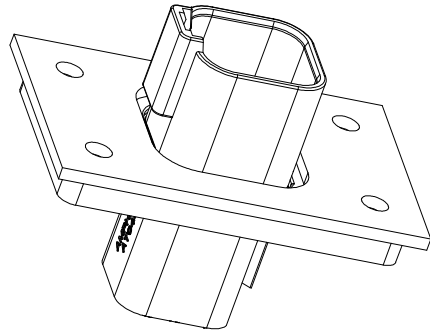
6P RECEPTACLE: FLANGE MOUNT - BLACK, RD

REVISIONS			
REV	ECO	DESCRIPTION	DATE
A1	-	RELEASE NUMBER	30/NOV/18
		ROOKIE	TOMMY

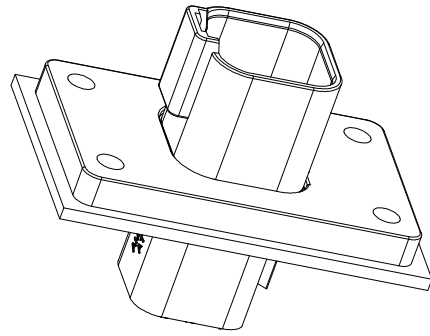


RECOMMENDED CUTOUT  
FRONT AND REAR MOUNT

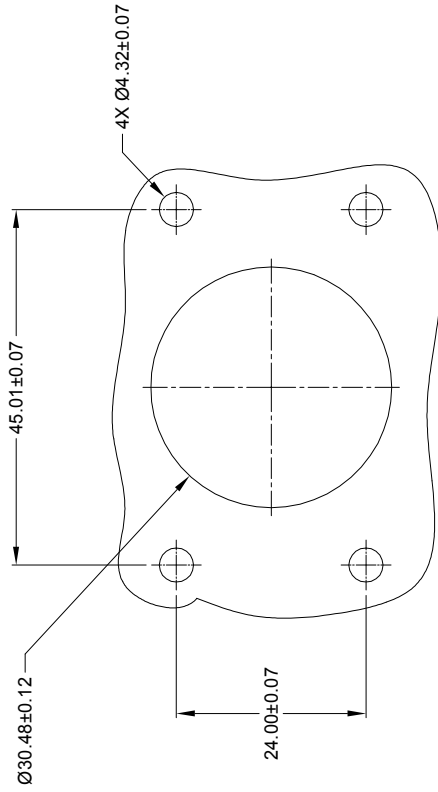
FOR REFERENCE ONLY



FRONT MOUNT



REAR MOUNT



OPTIONAL CUTOUT  
FRONT AND REAR MOUNT

QUANTITY	PART NUMBER	DESCRIPTION	ITEM
	AT04-6P-CL06		
<b>MATERIALS LIST</b>			
UNLESS OTHERWISE SPECIFIED:		SIGNATURES	DATE
1) All dimensions are in millimeters (mm).		ROOKIE	30/NOV/18
2) Tolerances are as follows:		CKM	30/NOV/18
1 PL DEC 40.30	Fractions: 1/64	ENGINEER	
5 PL DEC 40.28	Angles: 1°	TOMMY	30/NOV/18
3) Note reference =		CUSTOMER	
MATERIAL SPECIFICATIONS:			
THIS DRAWING IS SUPPLIED FOR INFORMATION ONLY. SPECIFICATIONS AND PERFORMANCE DATA SHOWN HEREON ARE THE PROPERTY OF AMPHENOL. ALL RIGHTS OF REPRODUCTION ARE IMPLIED. ALL DIMENSIONS ARE SUBJECT TO NORMAL MANUFACTURING VARIATIONS.			
PROCESS SPECIFICATIONS:			
NEXT ASSEMBLY:		SCALE: NONE	
SIZE		REVISION	
B C-		A1	
DWG NO: AT04-6P-CL06		SHEET 2 OF 2	
6P RECEPTACLE, FLANGE MOUNT, BLACK, RD			



**Amphenol**




Sine Systems - www.amphenol-sine.com  
44724 Monley Drive  
Clinton Township, MI 48036

6P RECEPTACLE, FLANGE MOUNT, BLACK, RD



## AT Series™ - Contact Size 16 Options

Machined Contacts, Sockets & Pins				
Part Number	Description	Size	AWG	Type
AT60-215-1631	Male Contact - Pin, Gold-plated	16	14	Machined
AT62-209-1631	Female Contact - Socket, Gold-plated	16	14	Machined
AT60-215-16141	Male Contact - Pin, Nickel-plated	16	14	Machined
AT62-209-16141	Female Contact - Socket, Nickel-plated	16	14	Machined
AT60-202-1631	Male Contact - Pin, Gold-plated	16	16-20	Machined
AT62-201-1631	Female Contact - Socket, Gold-plated	16	16-20	Machined
AT60-202-16141	Male Contact - Pin, Nickel-plated	16	16-20	Machined
AT62-201-16141	Female Contact - Socket, Nickel-plated	16	16-20	Machined
AT60-202-1631-22	Male Contact - Pin, Gold-plated	16	22-24	Machined
AT62-201-1631-22	Female Contact - Socket, Gold-plated	16	22-24	Machined
AT60-202-16141-22	Male Contact - Pin, Nickel-plated	16	22-24	Machined
AT62-201-16141-22	Female Contact - Socket, Nickel-plated	16	22-24	Machined

Tooling - Machined Contacts		
Part	Part Number	Description
	CA-5D12	Universal Hand Crimp Tool, Size 12/16/20 (Machined contacts only)
	CA-5E12	Pneumatic Crimp Tool, Size 12/16/20 (Machined contacts only)

Contact Removal Tools		
Part	Part Number	Description
	ART-100	Used for removal of contacts for A Series™ products
	AT11-310-1605	Contact Removal Tool, Plastic, Size 16
	A114017	Sealing Plug, Size 16, White

Stamped & Formed Contacts	
Part Number	Description
AT60-14-0144	Male Contact - Pin, Gold-plated
AT62-14-0144	Female Contact - Socket, Gold-plated
AT60-14-0122	Male Contact - Pin, Nickel-plated
AT62-14-0122	Female Contact - Socket, Nickel-plated
AT60-16-0144	Male Contact - Pin, Gold-plated
AT62-16-0144	Female Contact - Socket, Gold-plated
AT60-16-0122	Male Contact - Pin, Nickel-plated
AT62-16-0122	Female Contact - Socket, Nickel-plated
AT60-16-0644	Male Contact - Pin, Gold-plated
AT62-16-0644	Female Contact - Socket, Gold-plated
AT60-16-0622	Male Contact - Pin, Nickel-plated
AT62-16-0622	Female Contact - Socket, Nickel-plated
AT60-16-0844	Male Contact - Pin, Gold-plated
AT62-16-0844	Female Contact - Socket, Gold-plated
AT60-16-0822	Male Contact - Pin, Nickel-plated
AT62-16-0822	Female Contact - Socket, Nickel-plated

Tooling - Stamped & Formed Contacts		
Part	Part Number	Description
	MFX-3950	Crimp Die - Size 16
	MFX-3953	Crimp Die - Size 16
	MFX-3975	Crimp Die - Size 16
	MFX-3990	Crimp Die - Size 16
	ATT-16-00	Hand Crimp Tool - Size 16
	ATT-16-01	Hand Crimp Tool - Size 16
	ATT-1612-03	Hand Crimp Tool - Size 16