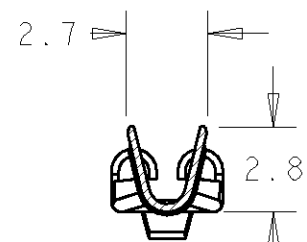
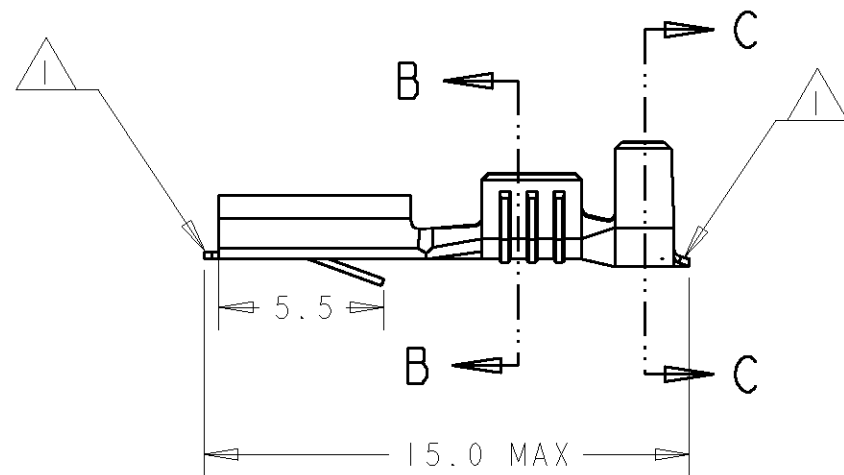
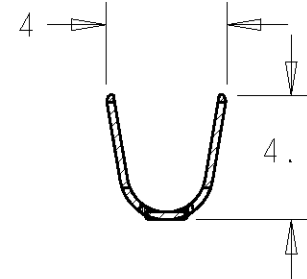


THIS DRAWING IS UNPUBLISHED. RELEASED FOR PUBLICATION 20
 © COPYRIGHT 20 BY TYCO ELECTRONICS CORPORATION. ALL RIGHTS RESERVED.

LOC	DIST	REVISIONS					
		P	LTR	DESCRIPTION	DATE	DWN	APVD
B	E		B	FIRST ISSUE	19/08/08	MJG	-



SECTION B-B



SECTION C-C

NOTES:

- 1 MAX CUT OFF TAB 0.5mm
- 2. WIRE SIZE 0.5 - 1.5mm²
- 3. FOR FURTHER INFORMATION REFER TO DRAWING NO 160655
- 4. FOR USE WITH 0.8mm TAB

FINISH	MATERIAL	PART NO
TIN ELECTROPLATE	BRASS	160668-6
SILVER ELECTROPLATE	BRASS	160668-5
PRE-TINNED (HOT DIPPED)	PHOSPHOR BRONZE	160668-4
	PHOSPHOR BRONZE	160668-3
PRE-TINNED (HOT DIPPED)	BRASS	160668-2
	BRASS	160668-1

<small>THIS DRAWING IS A CONTROLLED DOCUMENT FOR TYCO ELECTRONICS CORPORATION IT IS SUBJECT TO CHANGE AND THE CONTROLLING ENGINEERING ORGANIZATION SHOULD BE CONTACTED FOR THE LATEST REVISION.</small>		DWN M.GREENER 19AUG2008 CHK J.AMBROSE 19AUG2008 APVD J.AMBROSE 19AUG2008		Tyco Electronics UK Ltd. Bideford, North Devon, EX39 4HE	
DIMENSIONS: mm		TOLERANCES UNLESS OTHERWISE SPECIFIED: 0 PLC ±0.5 1 PLC ±0.5 2 PLC ±0.5 3 PLC ±0.5 4 PLC ±0.5 ANGLES ±0.5 FINISH -		NAME .110 SERIES FASTIN FASTON RECEPTACLE (LOOSE PIECE)	
MATERIAL SEE TABLE		PRODUCT SPEC 108-20020 APPLICATION SPEC 114-3118 WEIGHT -		SIZE A3 CAGE CODE 00779 DRAWING NO C-160668 RESTRICTED TO -	
CUSTOMER DRAWING				SCALE 4:1 SHEET 1 OF 1 REV B	