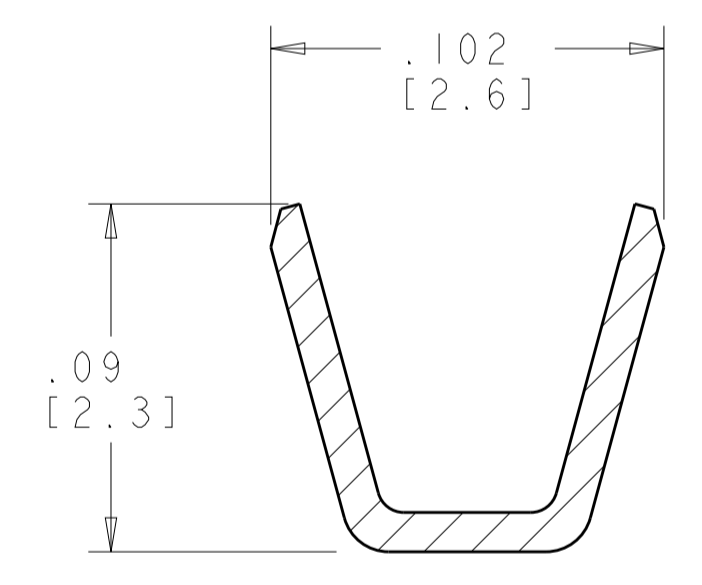
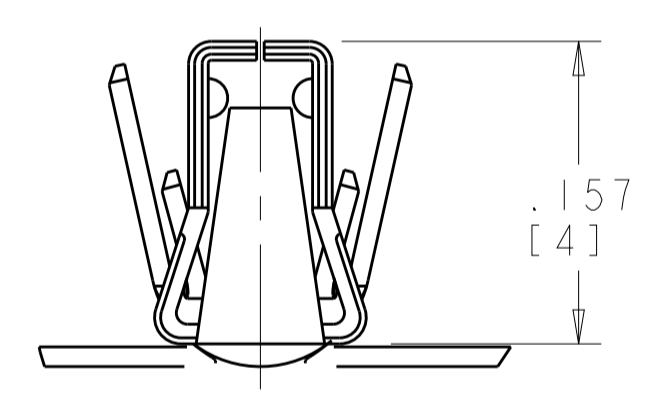
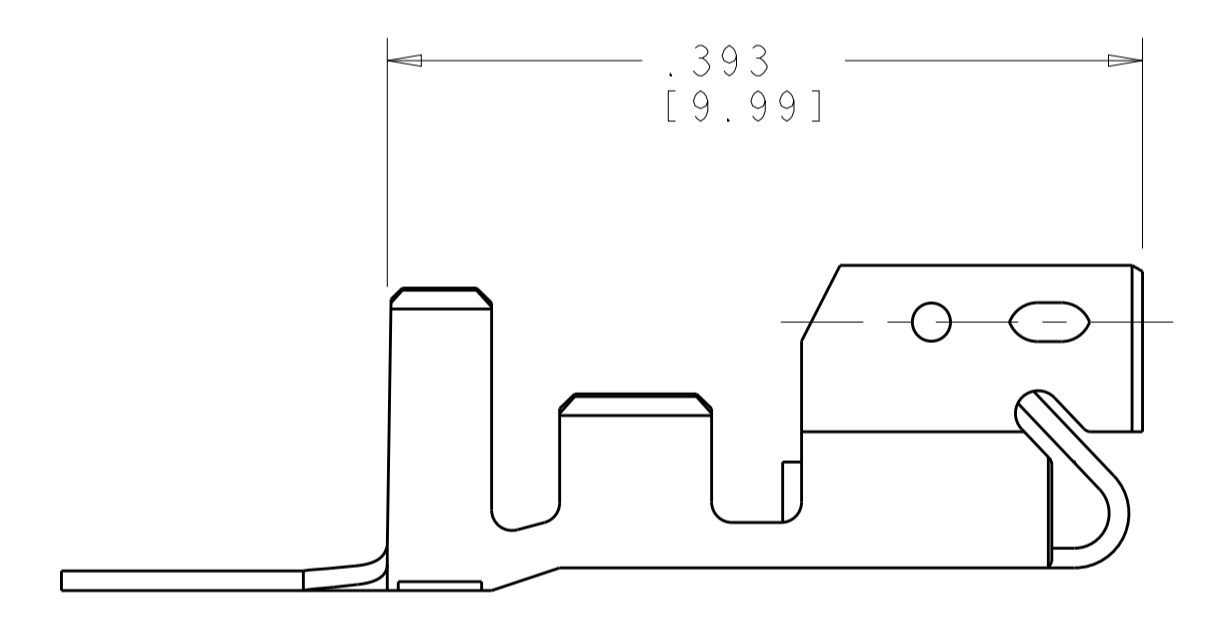
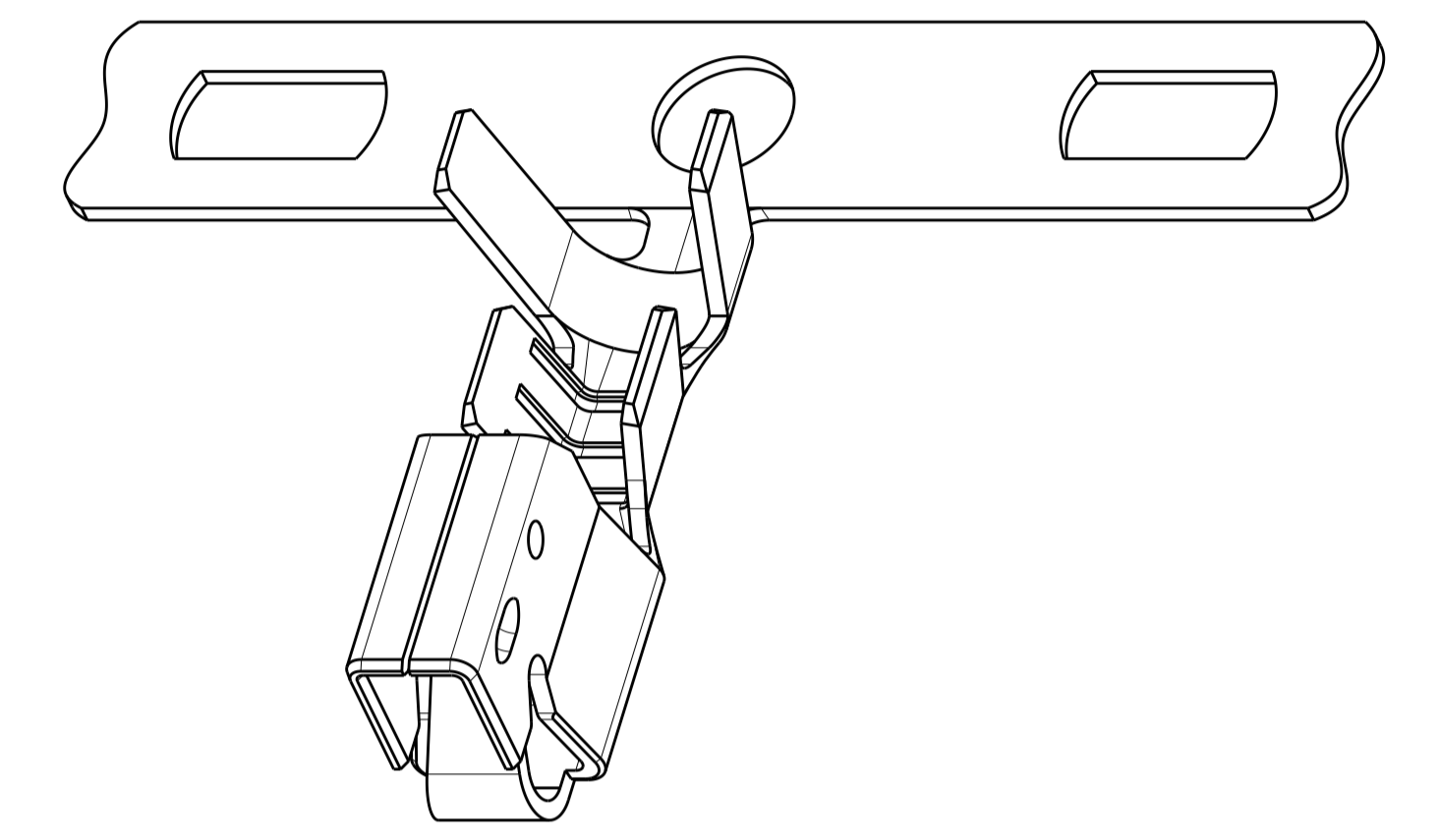
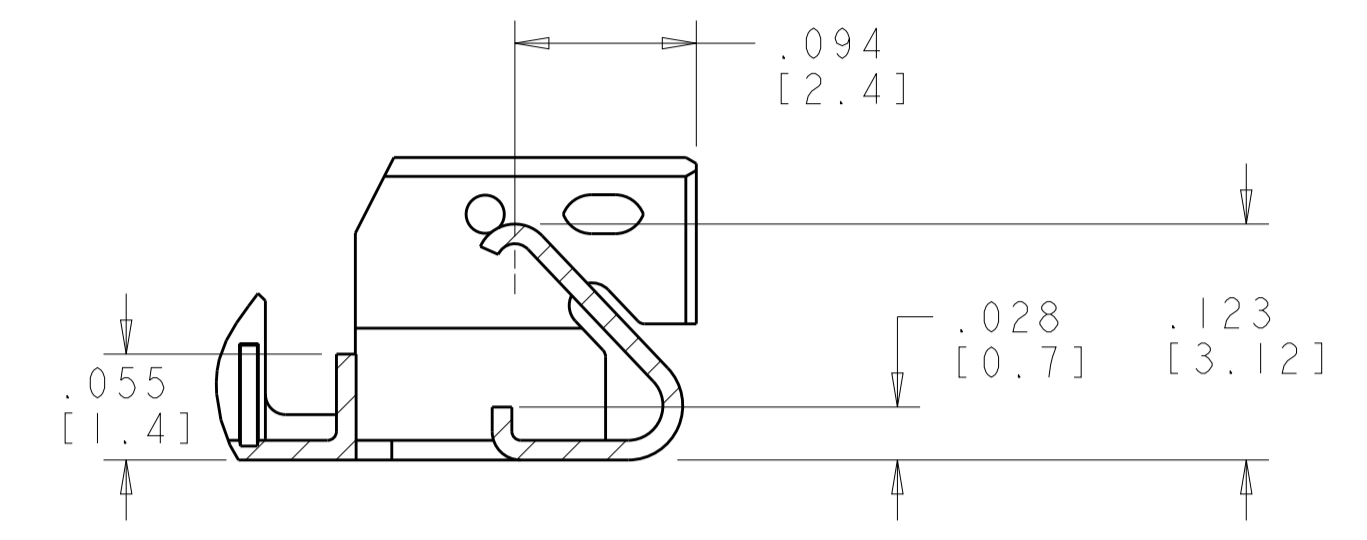
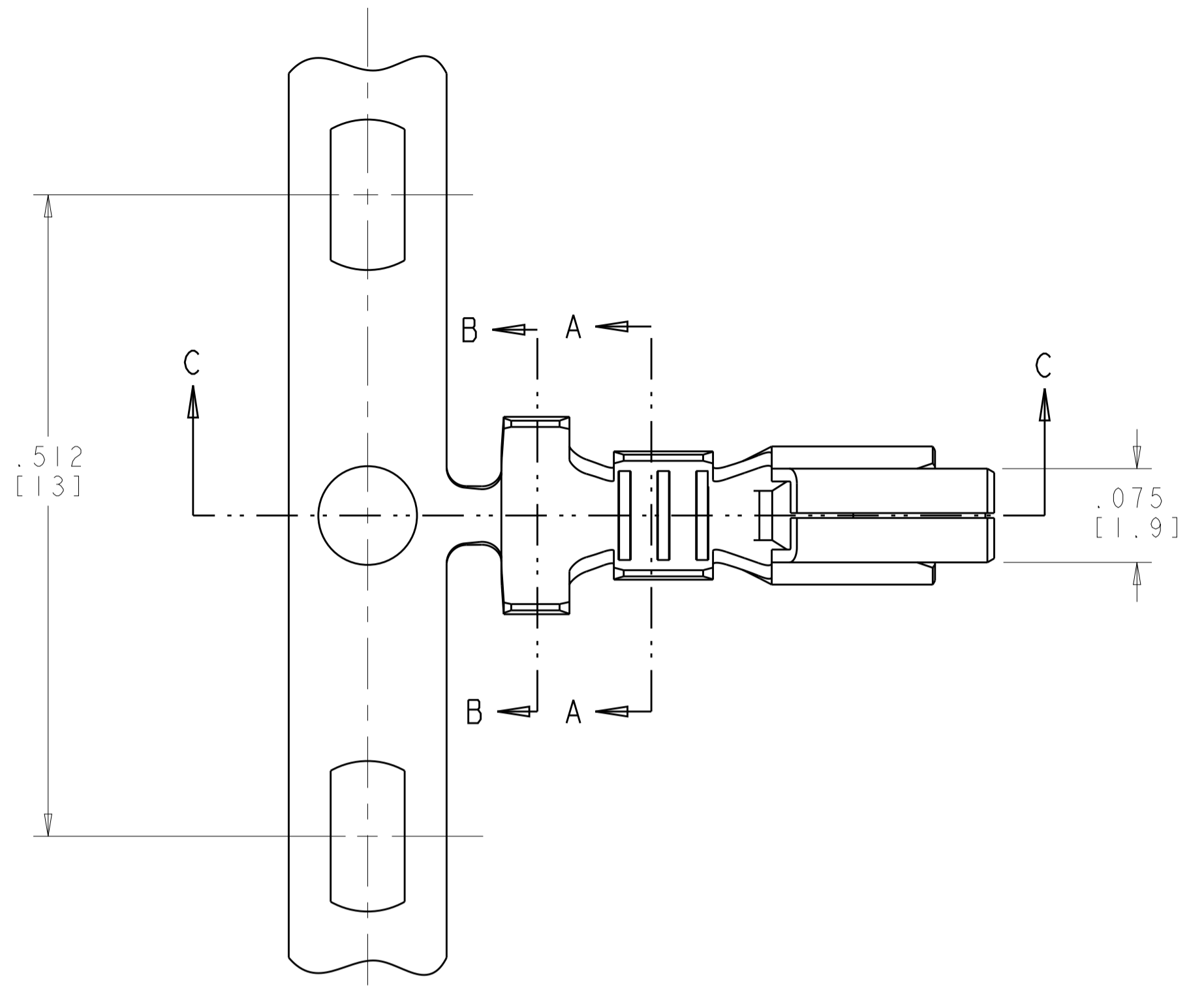
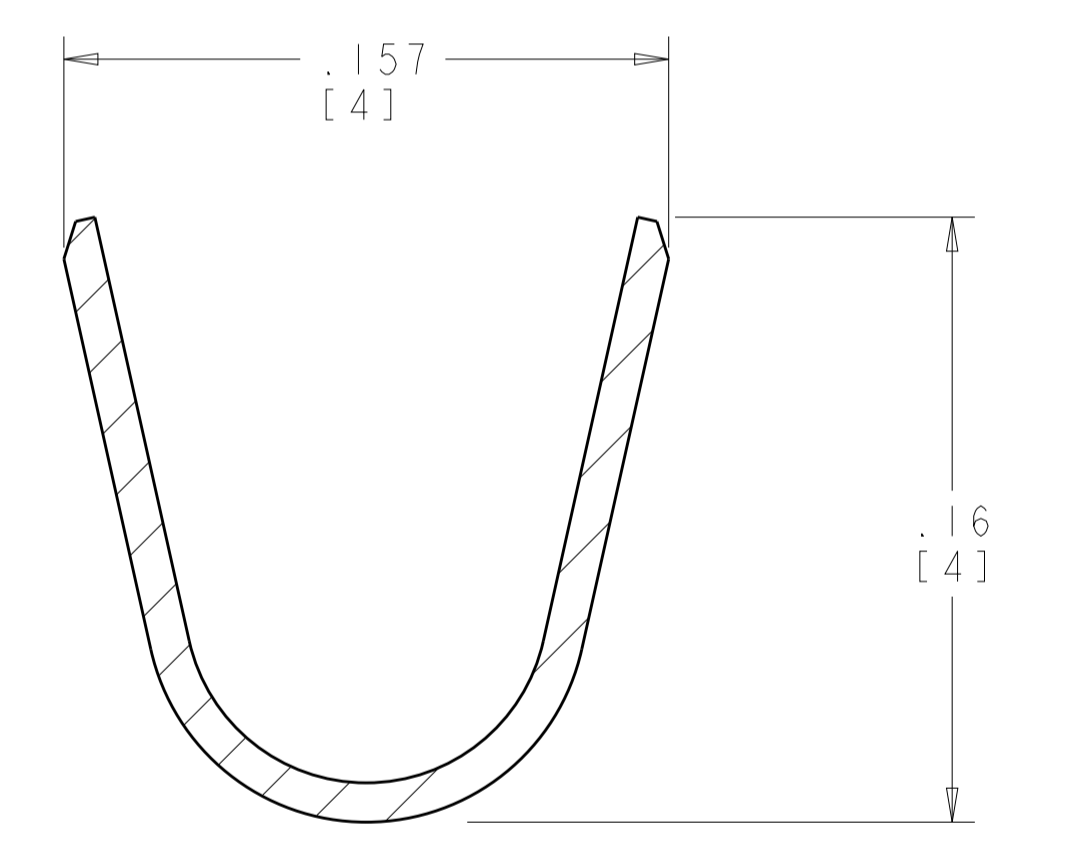


LOC	DIST	REVISIONS					
		P	LTN	DESCRIPTION	DATE	DWN	APVD
CM	00	D1		REVISED PER ECR-13-017780	13NOV13	JR	TM

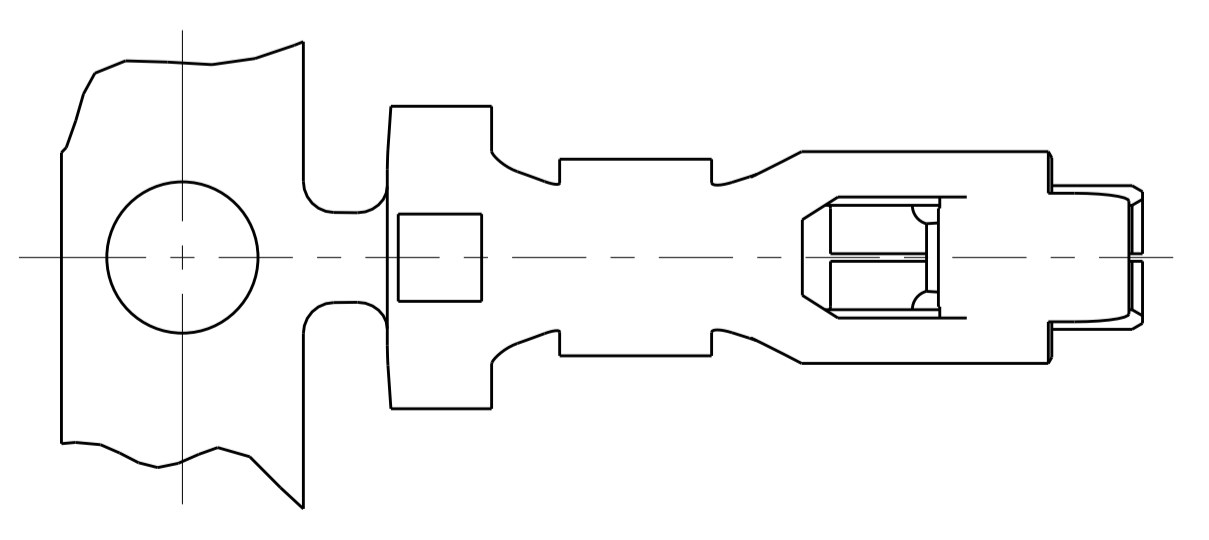
1. FINISH: 0.8μM PRE-TIN OVER 0.5μM MIN COPPER.
2. WIRE RANGE: 22-18 AWG [0.26-1.04mm<sup>2</sup>].
3. CONTACTS COATED WITH TE ANTI-FRETTING LUBRICANT.
4. WIRE INSULATION RANGE: .067-.114 [ 1.7-2.9] DIA.



SECTION A-A  
SCALE 20:1



SECTION B-B  
SCALE 20:1



NONE	PHOS BRONZE	1744144-2
3	PHOS BRONZE	1744144-1
LUBRICANT	MATERIAL	PART NO

THIS DRAWING IS A CONTROLLED DOCUMENT.		DWN K. WHITAKER 05APR2005	NAME CONTACT, LANCELESS, STD, ECONOMY POWER II
DIMENSIONS: INCHES [MM]		CHK J. ELLIS 05APR2005	
TOLERANCES UNLESS OTHERWISE SPECIFIED:		APVD J. ELLIS 05APR2005	SIZE A100779C=1744144
0 PLC ±.005	1 PLC ±.005	PRODUCT SPEC	RESTRICTED TO
2 PLC ±.005	3 PLC ±.005	APPLICATION SPEC	
4 PLC ±.005	ANGLES ±.1°	FINISH SEE TABLE	SCALE 10:1
MATERIAL SEE TABLE	FINISH SEE TABLE	WEIGHT	SHEET 1 OF 1
CUSTOMER DRAWING		REV D1	

