

THIS DRAWING IS UNPUBLISHED.

RELEASED FOR PUBLICATION

---

ALL RIGHTS RESERVED.

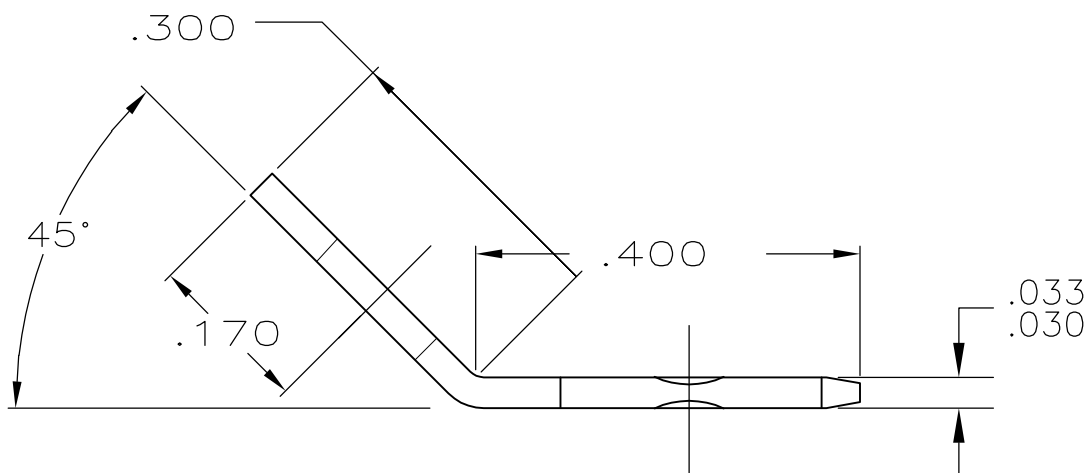
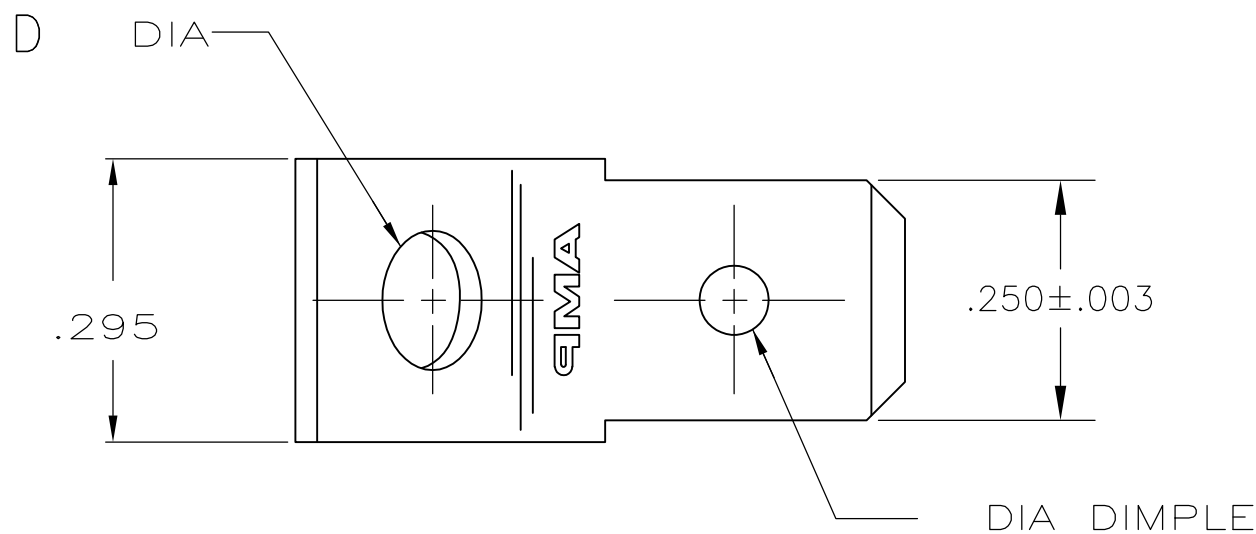
© COPYRIGHT - By -

LOC  
AF

DIST  
50

REVISIONS

P	LTR	DESCRIPTION	DATE	DWN	APVD
	R1	REVISED PER ECO-11-004820	11MAR11	RK	HMR



- 1 SUPPLIED IN LOOSE PIECE FORM.
- △2 FOREIGN PRODUCTION ONLY.
- △3 TIN PLATE
- △4 .000150 MIN SILVER PLATE
- △5 .000015 MIN GOLD OVER .000050 MIN NICKEL
- △6 .000030 MIN GOLD OVER .000050 MIN NICKEL
- △7 PRELIMINARY - NOT FOR PRODUCTION

	1/2 HARD STAINLESS STEEL	-	.145 ±.005	42822-8
	082 BRASS	△6	.145 ±.005	△7 42822-7
	082 BRASS	△5	.145 ±.005	△7 42822-6
OBSOLETE	082 BRASS		.145 ±.005	△2 42822-5
	082 BRASS	△3	.145 ±.005	42822-4
OBSOLETE	082 BRASS	△4	.130 ±.005	42822-3
	082 BRASS	△3	.130 ±.005	42822-2
OBSOLETE	082 BRASS		.130 ±.005	42822-1
	MATERIAL	FINISH	D DIM	PART NO

THIS DRAWING IS A CONTROLLED DOCUMENT.		DWN JR RUTH 6/7/91	<b>TE Connectivity</b>  TAB, FASTON, .250 SERIES		
DIMENSIONS: INCHES		CHK MS FEHER 6/7/91			
TOLERANCES UNLESS OTHERWISE SPECIFIED:		APVD R BEAVER 6/7/91			
0 PLC ± - 1 PLC ± - 2 PLC ± .015 3 PLC ± - 4 PLC ± - ANGLES ± -		NAME			
MATERIAL SEE TABLE		FINISH SEE TABLE	PRODUCT SPEC -	APPLICATION SPEC -	RESTRICTED TO -
CUSTOMER DRAWING			SIZE A3	CAGE CODE 00779	DRAWING NO C-42822
			WEIGHT -	SCALE 5:1	SHEET 1 OF 1
			REV R1		