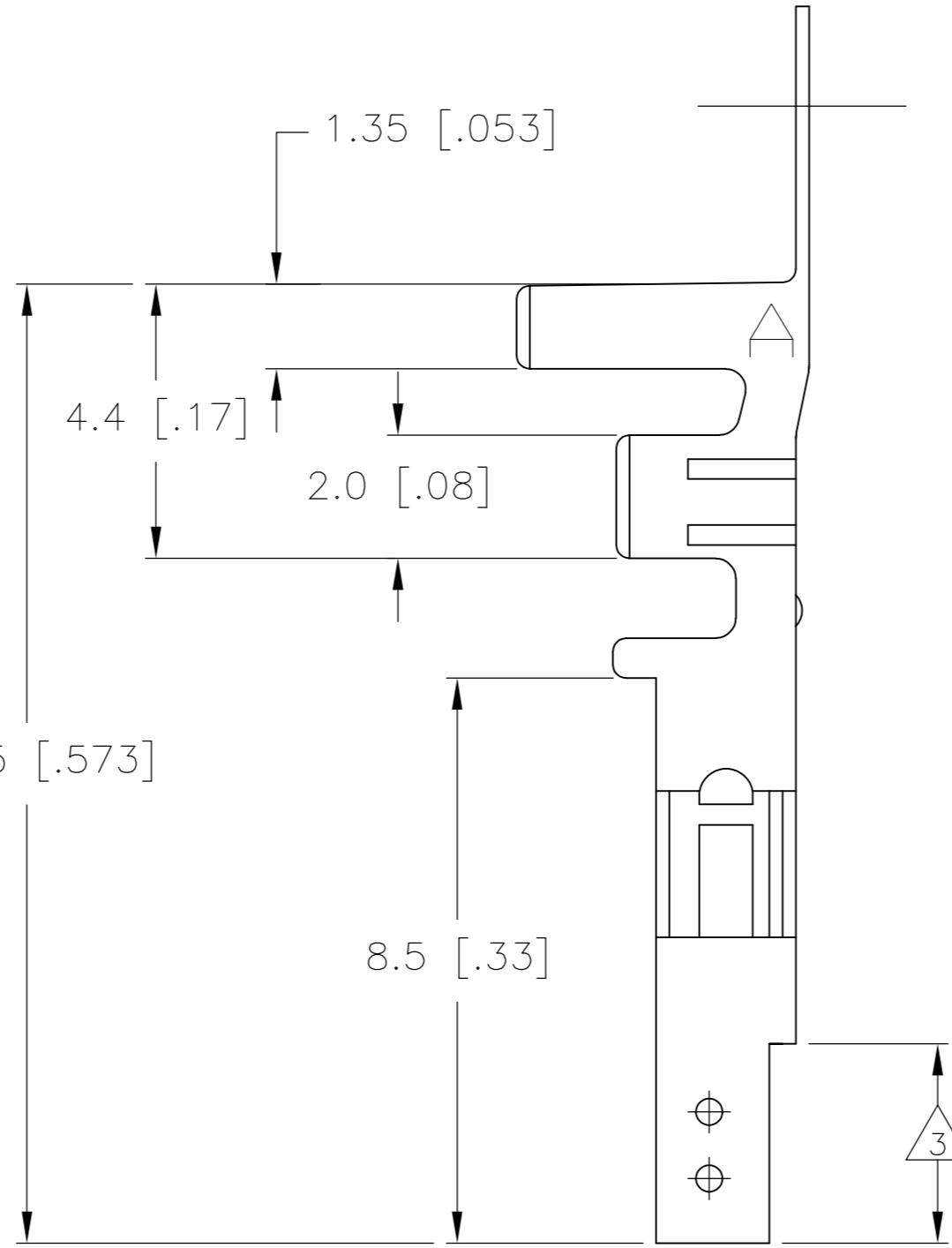
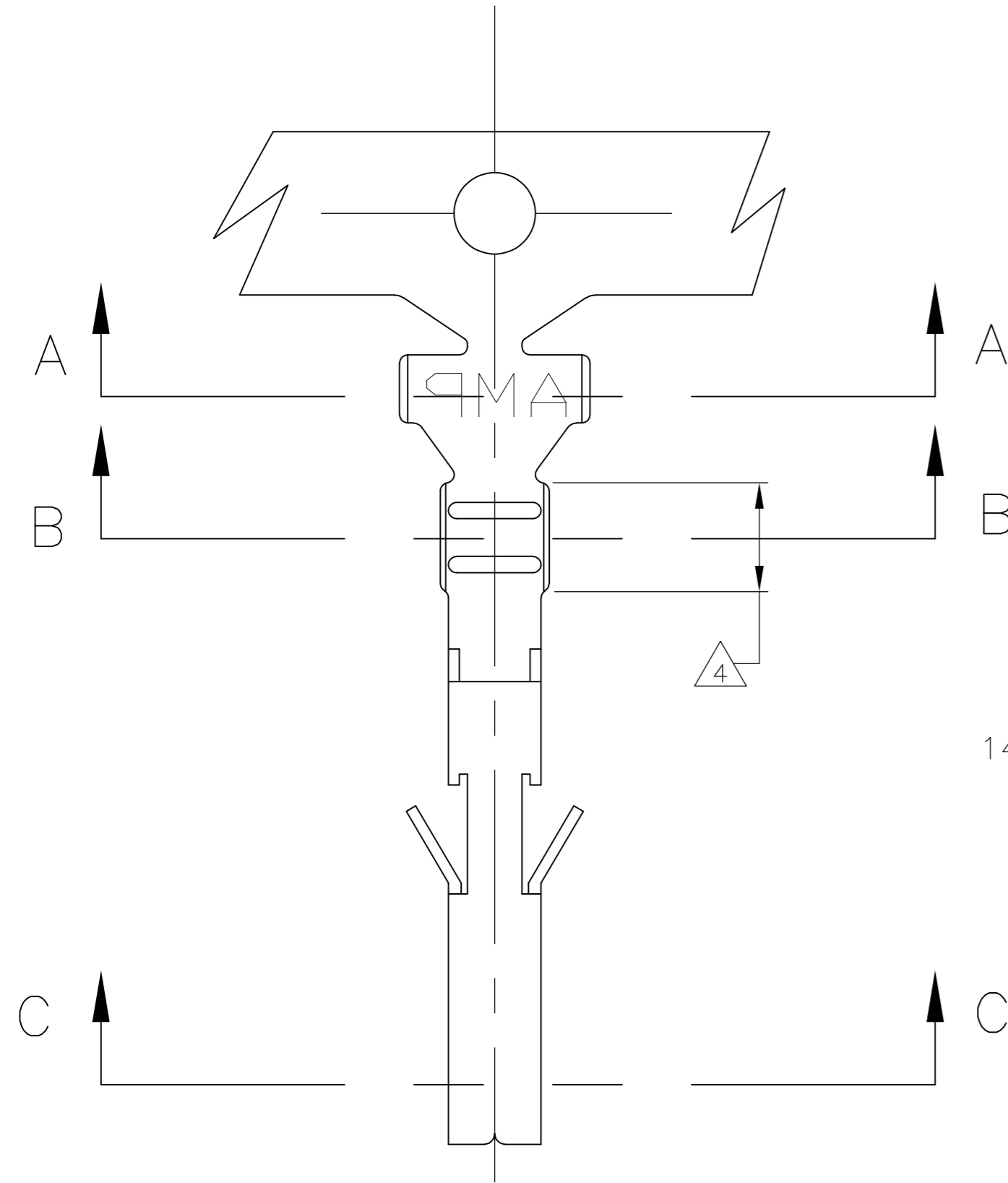
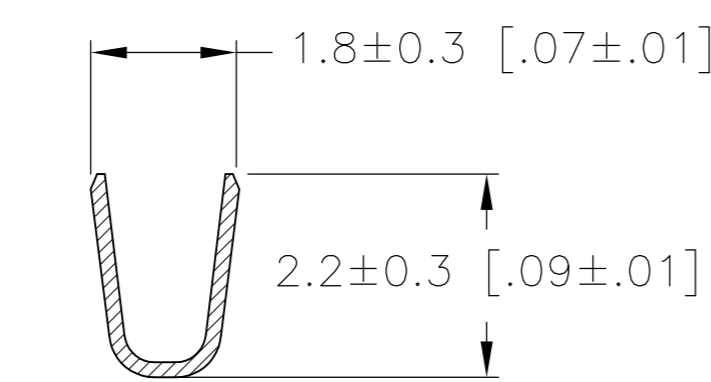
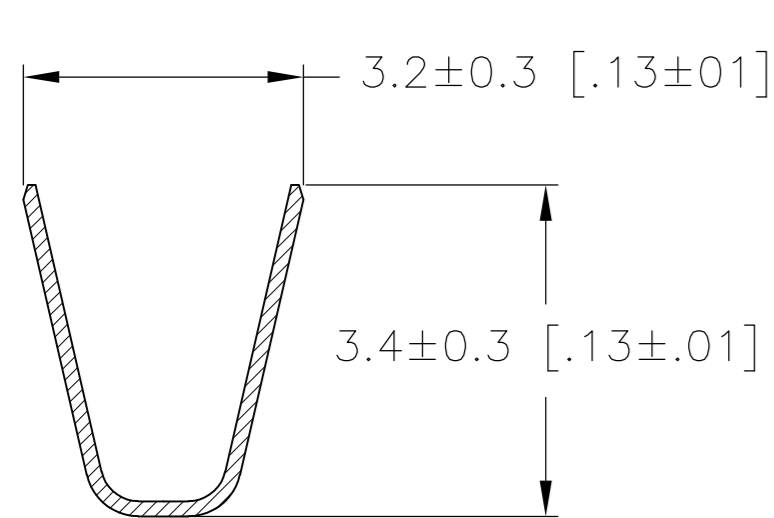


THIS DRAWING IS UNPUBLISHED. RELEASED FOR PUBLICATION
 © COPYRIGHT BY TYCO ELECTRONICS CORPORATION. ALL RIGHTS RESERVED.

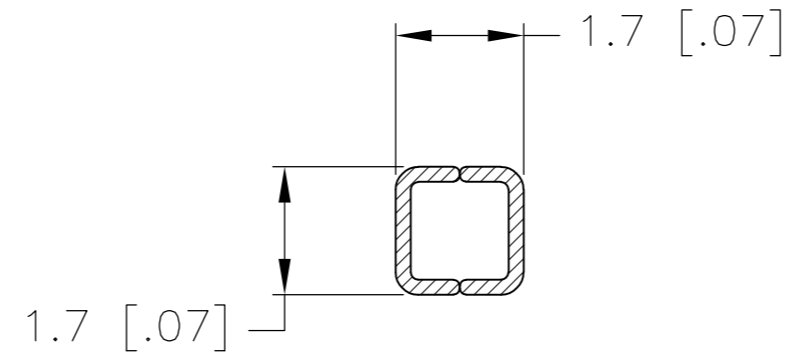
LOC		DIST		REVISIONS			
P	LTR	DESCRIPTION		DATE	DWN	APVD	
	F1	REVISED PER ECO-09-004674		05MAR09	HMR	FD	



- 1 WIRE RANGE: 0.13–0.32mm² (26–22 AWG).
- 2 INSULATION RANGE: 1.20–1.75 DIA.
- 3 FINISH: 0.76 MIN GOLD OVER 1.27μm MIN NICKEL REQUIRED ON INNER SURFACE, PERMITTED ON OUTER SURFACE.
- 4 FINISH: 2.54μm MIN PRE-TIN ON ALL SURFACES IN THIS AREA.



SECTION B-B



SECTION C-C

SECTION A-A

GOLD $\triangle 3/4$	PHOS. BRZ.	794958-4
PRE-TIN	PHOS. BRZ.	794958-3
GOLD $\triangle 3/4$	BRASS	794958-2
PRE-TIN	BRASS	794958-1
FINISH:	MATERIAL:	PART NO.

METRIC

THIS DRAWING IS A CONTROLLED DOCUMENT.		DWN	S. HAMM	10-SEP-2001	Tyco Electronics Corporation Harrisburg, PA 17105-3608
DIMENSIONS: mm [INCHES]		CHK	D. COLEY	10-SEP-2001	
TOLERANCES UNLESS OTHERWISE SPECIFIED:		APVD	D. COLEY	10-SEP-2001	
0 PLC ± 1 PLC ± 0.25 [.010] 2 PLC ± 0.15 [.004] 3 PLC ± 0.050 [.0020] 4 PLC ± ANGLES ±		PRODUCT SPEC	NAME		
MATERIAL		APPLICATION SPEC		TERMINAL SOCKET VAL-U-LOK(TM)	
FINISH		WEIGHT	SIZE		CAGE CODE
CUSTOMER DRAWING		SCALE 10:1		DRAWING NO	RESTRICTED TO
		SHEET 1 of 1		A2 00779 C=794958	—
		REV F1			