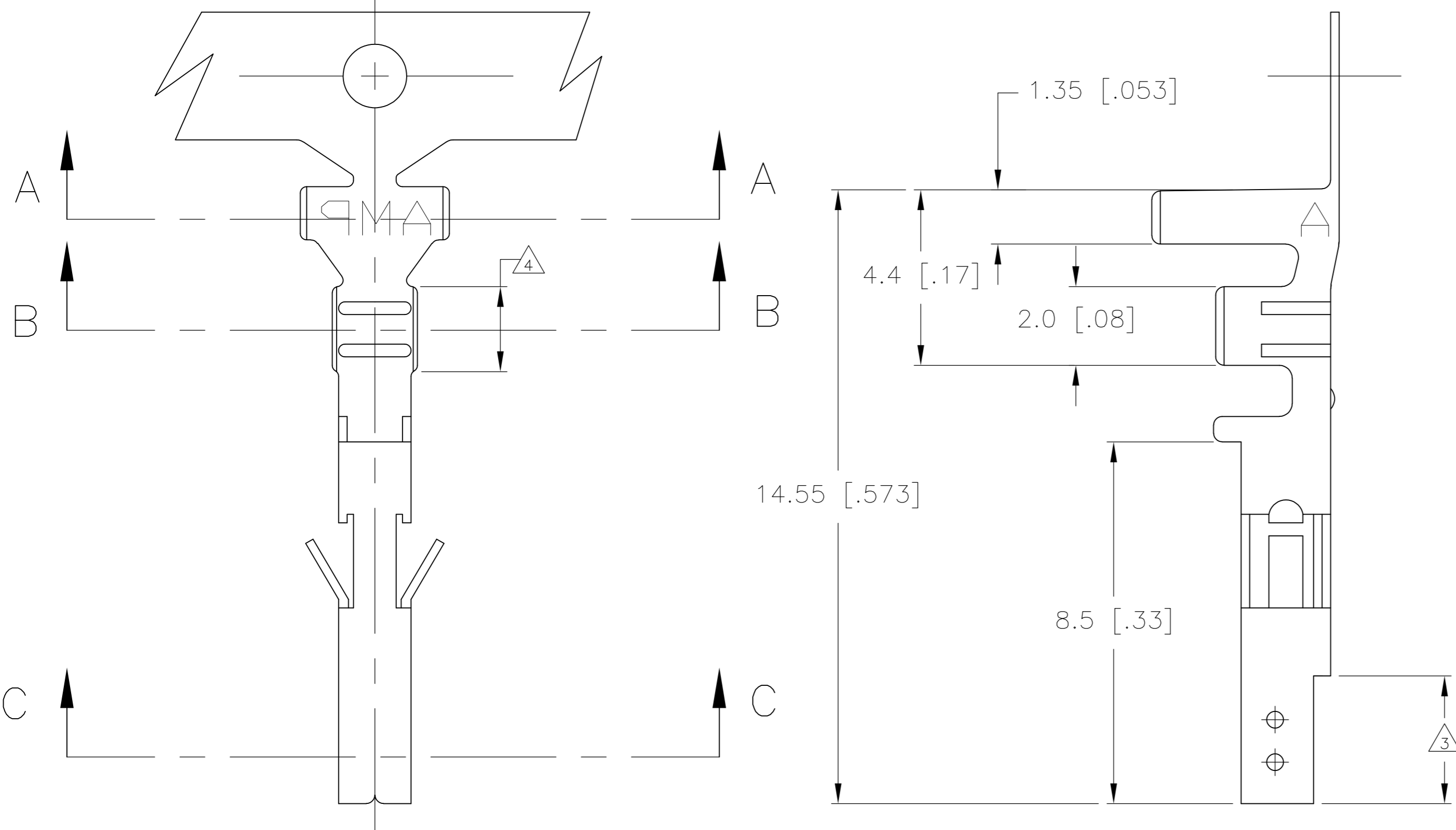
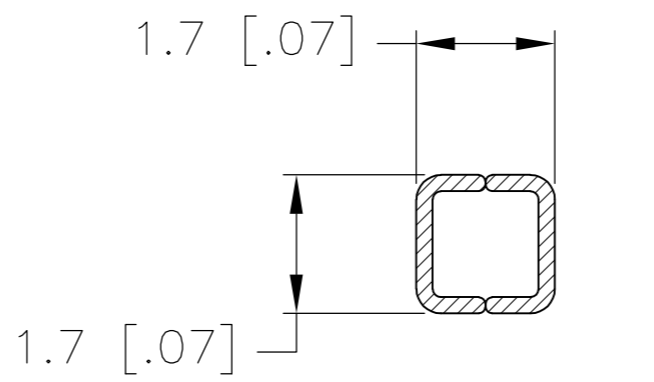
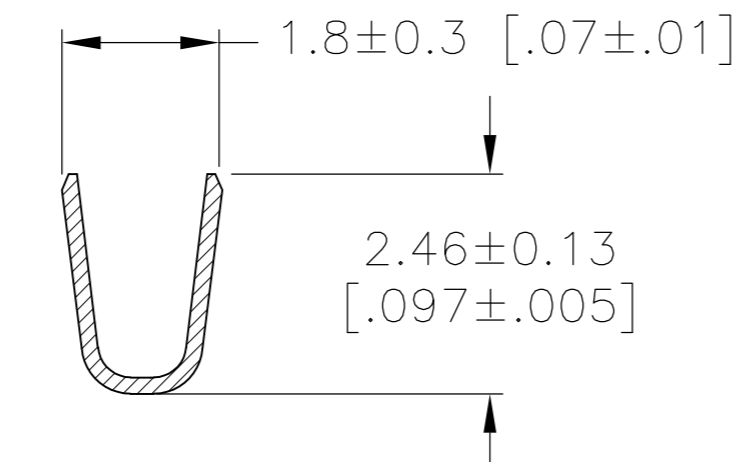
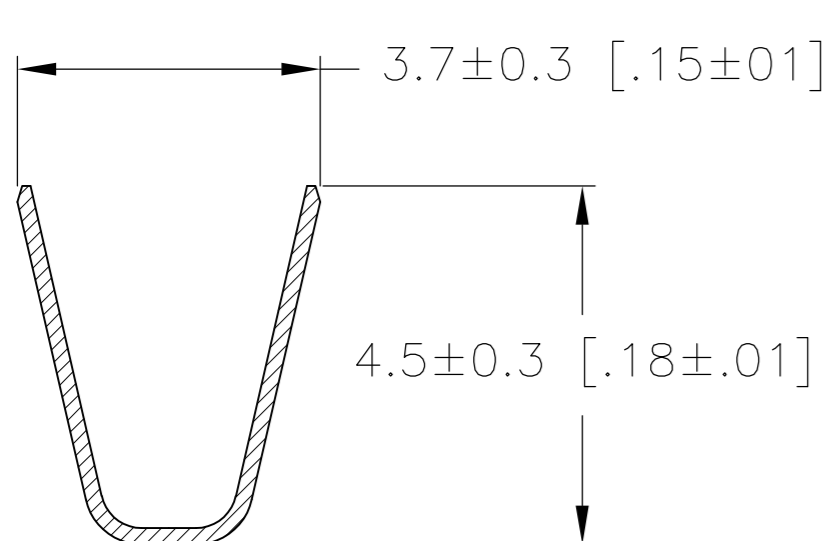


THIS DRAWING IS UNPUBLISHED. RELEASED FOR PUBLICATION  
 © COPYRIGHT BY TYCO ELECTRONICS CORPORATION. ALL RIGHTS RESERVED.

LOC	DIST	REVISIONS					
CM	00	P	LTR	DESCRIPTION	DATE	DWN	APVD
		H		REVISED PER ECO-09-007454	03APR09	JR	KR



- 1 WIRE RANGE: 0.2-0.82mm<sup>2</sup> (24-18 AWG).
- 2 INSULATION RANGE: 1.50 - 3.10 DIA.
- 3 FINISH: 0.76μm MIN GOLD OVER 1.27μm MIN NICKEL REQUIRED ON INNER SURFACE, PERMITTED ON OUTER SURFACE.
- 4 FINISH: 2.54μm MIN PRE-TIN ON ALL SURFACES IN THIS AREA.



SECTION B-B

SECTION C-C

SECTION A-A

GOLD 3 4	PHOS. BRZ.	794956-4
PRE-TIN	PHOS. BRZ.	794956-3
GOLD 3 4	BRASS	794956-2
PRE-TIN	BRASS	794956-1
FINISH:	MATERIAL:	PART NO.

**METRIC**

THIS DRAWING IS A CONTROLLED DOCUMENT.

DWN S. HAMM 10-SEP-2001	Tyco Electronics Corporation Harrisburg, Pa 17105-3608			
CHK D. COLEY 10-SEP-2001				
APVD D. COLEY 10-SEP-2001				
PRODUCT SPEC				
APPLICATION SPEC	NAME			
WEIGHT	SIZE A2	CAGE CODE 00779	DRAWING NO C=794956	RESTRICTED TO
CUSTOMER DRAWING	SCALE 10:1	SHEET 1 OF 1	REV H	