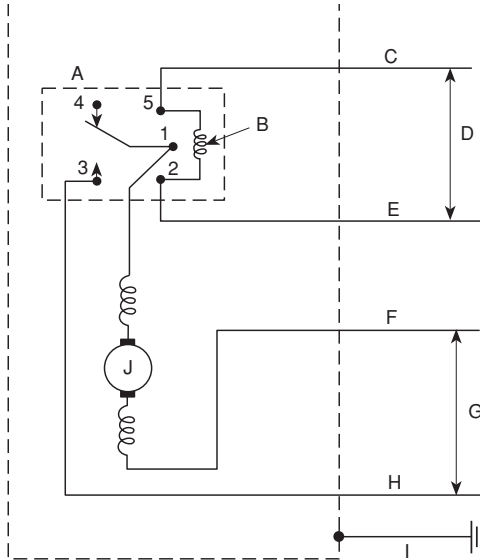




Motor Driven Siren

RS Stock No. 286-0674

Figure 1. Constant mains supply - siren sounds on application of trigger voltage



- | | |
|--------------------------|-------------------------|
| A. Relay | F. Blue |
| B. Coil Resistance 400Ω | G. 230V AC Mains supply |
| C. White | H. Brown |
| D. 12VDC Trigger voltage | I. Green/Yellow |
| E. White | J. ARM |

Recommended 5Amp fuse for AC supply

