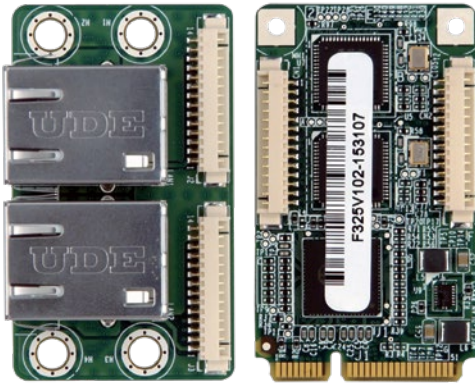


MPCIE-DLAN-R10

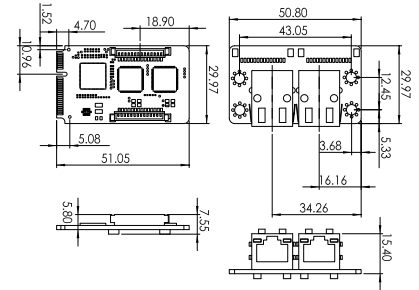
PCI Express Mini Dual Intel® GbE LAN Module, Full Size, RoHS



Specifications

- ◆ Form Factor: PCI Express Mini card
- ◆ BIOS: UEFI BIOS
- ◆ Ethernet Controller: Dual Intel® I210-IT
- ◆ Speed: 10/100/1000Mbps
- ◆ External Connector: 2 x 8-pin RJ-45
- ◆ Power Supply: On board 3.3V
- ◆ Compatible OS
 - Windows XP/Server 2003/ Server 2008/ Vista/ 7 /8.1/10
 - Linux kernel version 2.6.32 above
- ◆ Operating Temperature: -10°C ~ 70°C
- ◆ Operating Humidity: 5% ~ 95%, non-condensing
- ◆ Dimensions (LxW) : 51 mm x 30 mm
- ◆ Weight: 55g
- ◆ CE/FCC compliant

Dimensions (mm)



Features

- Support dual GbE LAN by Intel® I210-IT
- Compliant with PCI Express Mini specification 1.2

Packing List

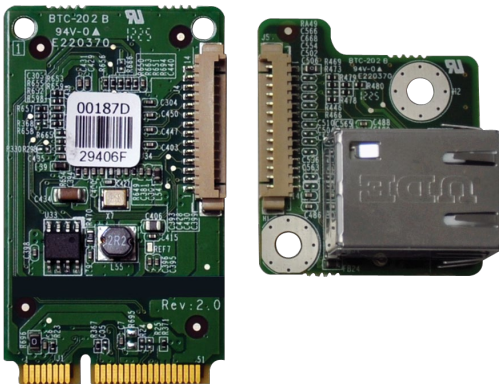
1 x MPCIE-DLAN module	2 x Flat cable (pitch=1.25mm), 340mm length	1 x QIG
-----------------------	---	---------

Ordering Information

Part No.	Description
MPCIE-DLAN-R10	PCI Express Mini dual Intel® GbE LAN module, full size, RoHS

MPCIE-LAN-R10

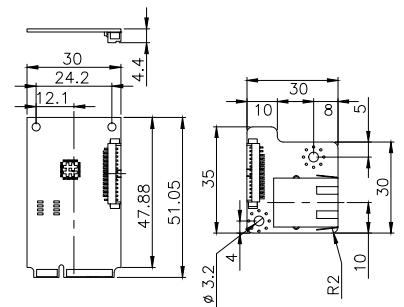
PCI Express Mini GbE LAN Module, Full Size, RoHS



Specifications

- ◆ Form Factor: PCI Express Mini card
- ◆ Ethernet Controller: Realtek RTL8111E
- ◆ Speed: 10/100/1000Mbps
- ◆ External Connector: 1 x 8-pin RJ-45
- ◆ Compatible OS
 - Windows 2000/ XP/ Server 2003/ Server 2008/ Vista/ 7
 - Linux kernel version 2.6.32 above
- ◆ Power Supply: On board 3.3V
- ◆ Operating Temperature: -10°C ~ 70°C
- ◆ Operating Humidity: 5% ~ 95%, non-condensing
- ◆ Dimensions (LxW): 51 mm x 30 mm
- ◆ Weight: 70g
- ◆ CE/FCC compliant

Dimensions (mm)



Features

- Support one GbE LAN by RTL8111E
- Compliant with PCI Express Mini specification 1.2

Packing List

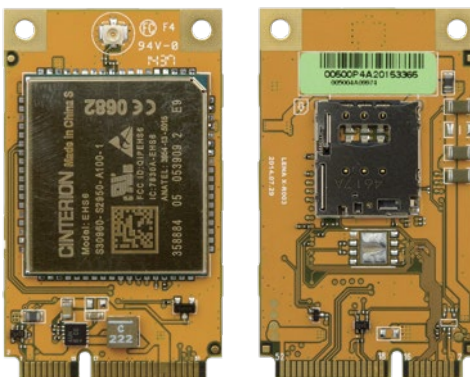
1 x MPCIE-LAN module	1 x Flat cable (pitch=1.25mm), 340mm length	1 x QIG
----------------------	---	---------

Ordering Information

Part No.	Description
MPCIE-LAN-R10	PCI Express Mini GbE LAN module, full size, RoHS

MPCIE-3G-R20

PCI Express Mini 3G Adapter Card, RoHS



Specifications

- ◆ Form Factor
 - PCI Express Mini card
 - Antenna 50Ohms. Main GSM/UMTS antenna
- ◆ Frequency Bands
 - GSM/GPRS/EDGE:
 - 850/900/1800/1900 GPRS/EDGE Class12
 - UMTS/HSPA+:
 - Dual band UMTS 800/850/900/1900/2100 MHz

- ◆ USB
 - USB 2.0 High Speed (480Mbit/s) device interface
- ◆ Compatible OS
 - Windows®8, Windows®7, Windows EC, Linux, Android
- ◆ Operating Temperature
 - Normal operation: -30°C to +85°C
 - Restricted operation: -40°C to +95°C
- ◆ Dimensions (W x D x H)
 - 51.0 mm x 30.0 mm x 4.75 mm

Packing List

1 x PCI Express Mini 3G adapter card

Ordering Information

Part No.	Description
MPCIE-3G-R20	PCI Express Mini 3G adapter card, RoHS
32501-000705-100-RS	RF antenna cable
32503-000100-100-RS	GSM antenna cable

Features

- Real time clock: Timer functions via AT commands
- Phonebook: SIM and phone
- TTY/CTM support: Integrated CTM modem

Mouser Electronics

Authorized Distributor

Click to View Pricing, Inventory, Delivery & Lifecycle Information:

[IEI:](#)

[MPCIE-3G-R10](#) [MPCIE-LAN-R10](#)