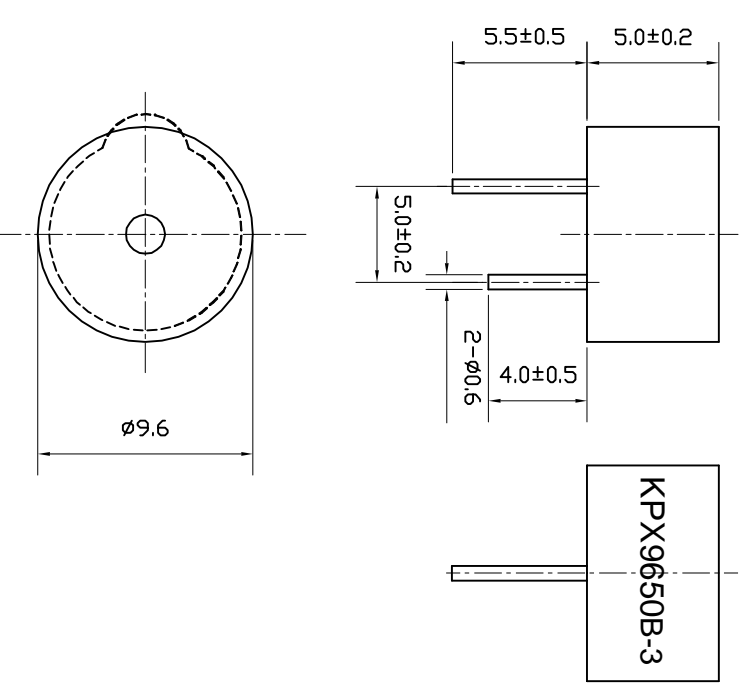


SPECIFICATION

- 1. Rated Voltage 3 VDC
- 2. Operating Voltage 2~5VDC
- 3. Max. Rated Current 30mA/3VDC
- 4. Resonant Frequency 2700±300Hz
- 5. Min. Sound Pressure Level..... 80dB/10cm
- 6. Response Time 50ms
- 7. Case Material PPO
- 8. Operating Temperature -20~+70°C
- 9. Store Temperature -30~+80°C
- 10. Weight 1.0g



No.	DESCRIPTION	APPROVED	DATE	KEPO NINGBO KEPO ELECTRONIC CO.,LTD http://www.chinaacoustic.com Magnetic Buzzer KPY9650B-3		
<small>FORMING INSTRUCTIONS</small> <small>FORMING INSTRUCTIONS</small> <small>FORMING INSTRUCTIONS</small> <small>FORMING INSTRUCTIONS</small> <small>FORMING INSTRUCTIONS</small>		APPROVALS	DATE			
<small>FORMING INSTRUCTIONS</small> <small>FORMING INSTRUCTIONS</small> <small>FORMING INSTRUCTIONS</small> <small>FORMING INSTRUCTIONS</small> <small>FORMING INSTRUCTIONS</small>		DRAWN	DATE	UNIT	DWGNO	SHEET
<small>FORMING INSTRUCTIONS</small> <small>FORMING INSTRUCTIONS</small> <small>FORMING INSTRUCTIONS</small> <small>FORMING INSTRUCTIONS</small> <small>FORMING INSTRUCTIONS</small>		CHECKED	DATE	mm	KP3,843,732	3
<small>FORMING INSTRUCTIONS</small> <small>FORMING INSTRUCTIONS</small> <small>FORMING INSTRUCTIONS</small> <small>FORMING INSTRUCTIONS</small> <small>FORMING INSTRUCTIONS</small>		APPROVED	DATE	SCALE	NOT TO SCALE	VER 1.3
<small>FORMING INSTRUCTIONS</small> <small>FORMING INSTRUCTIONS</small> <small>FORMING INSTRUCTIONS</small> <small>FORMING INSTRUCTIONS</small> <small>FORMING INSTRUCTIONS</small>			06/07/05			