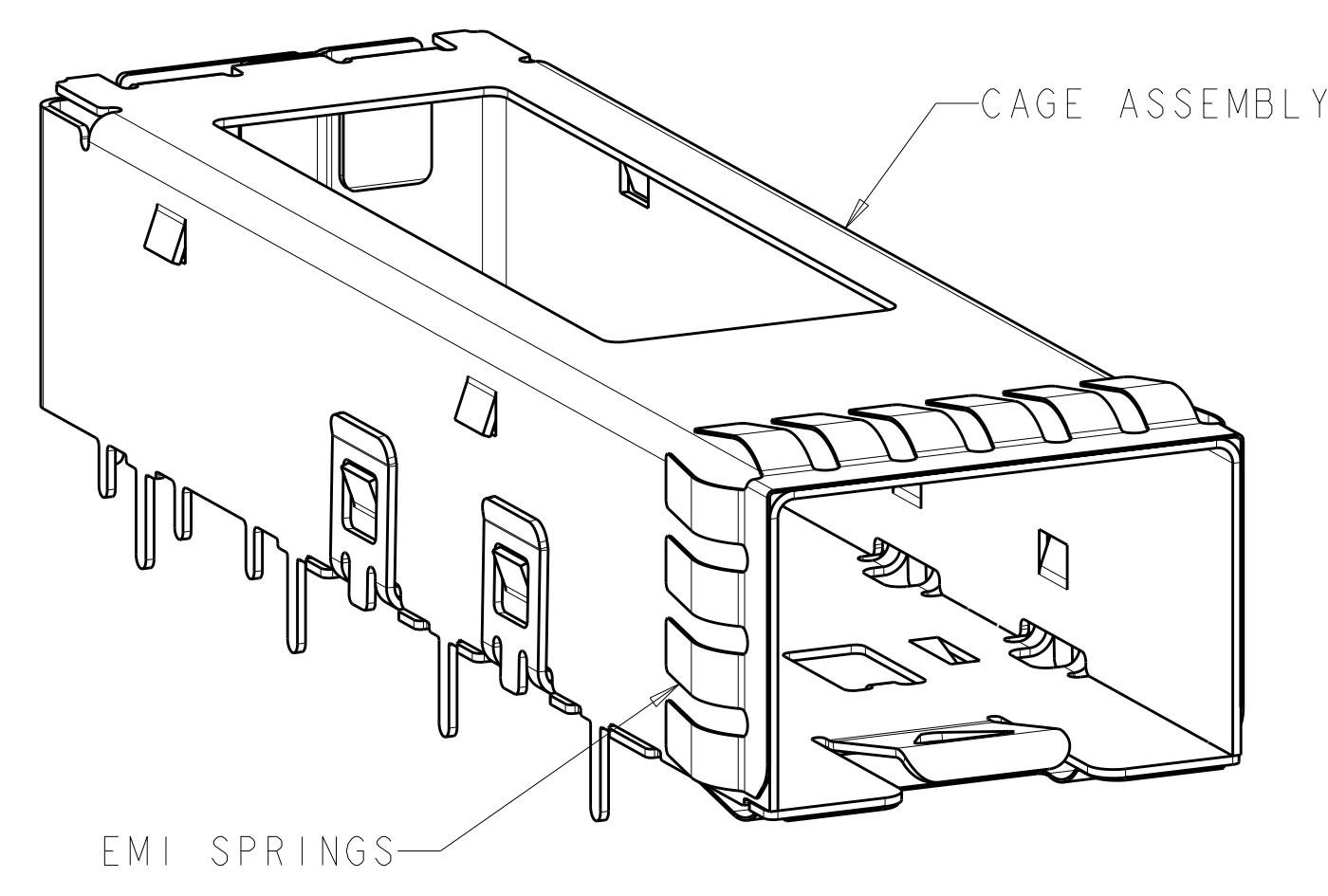
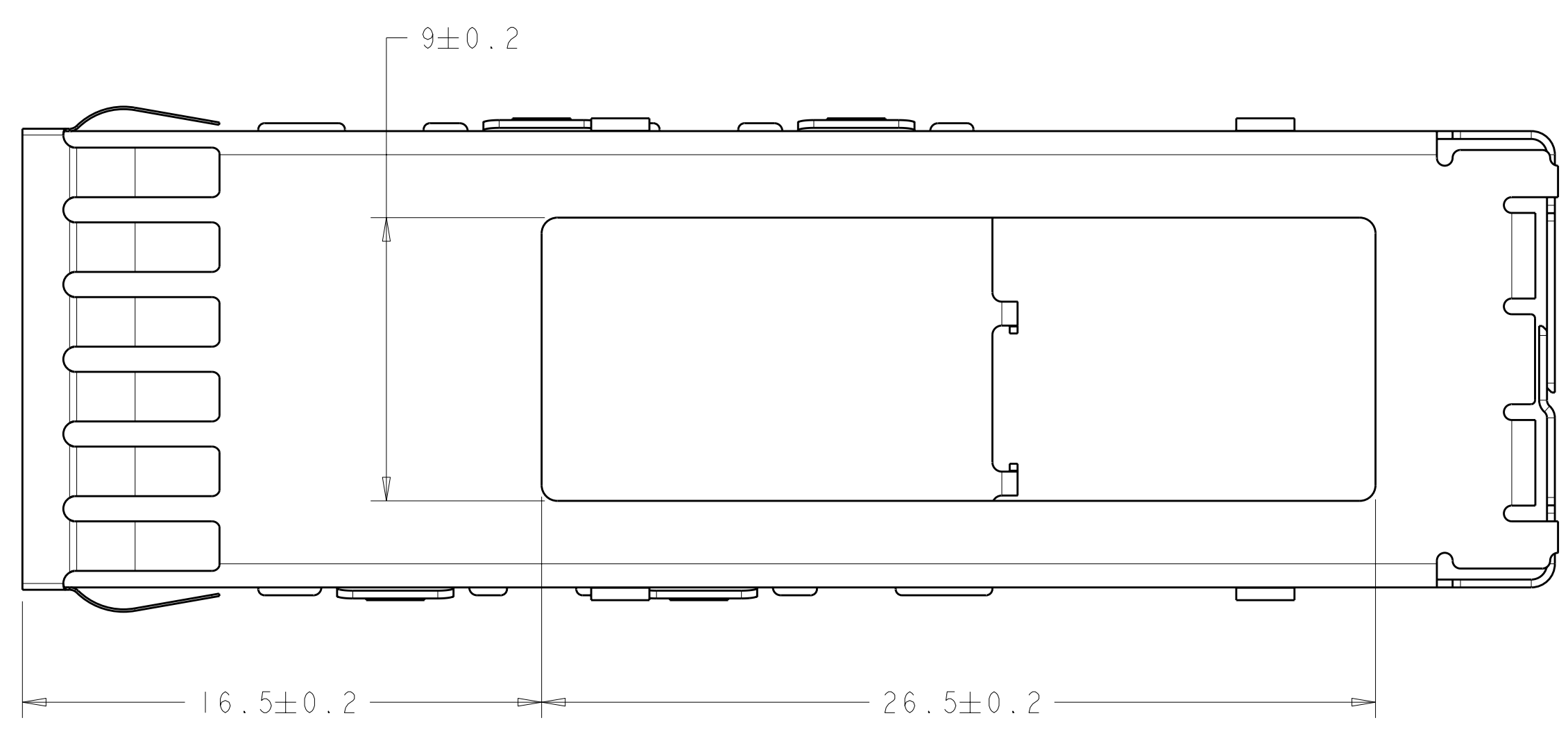


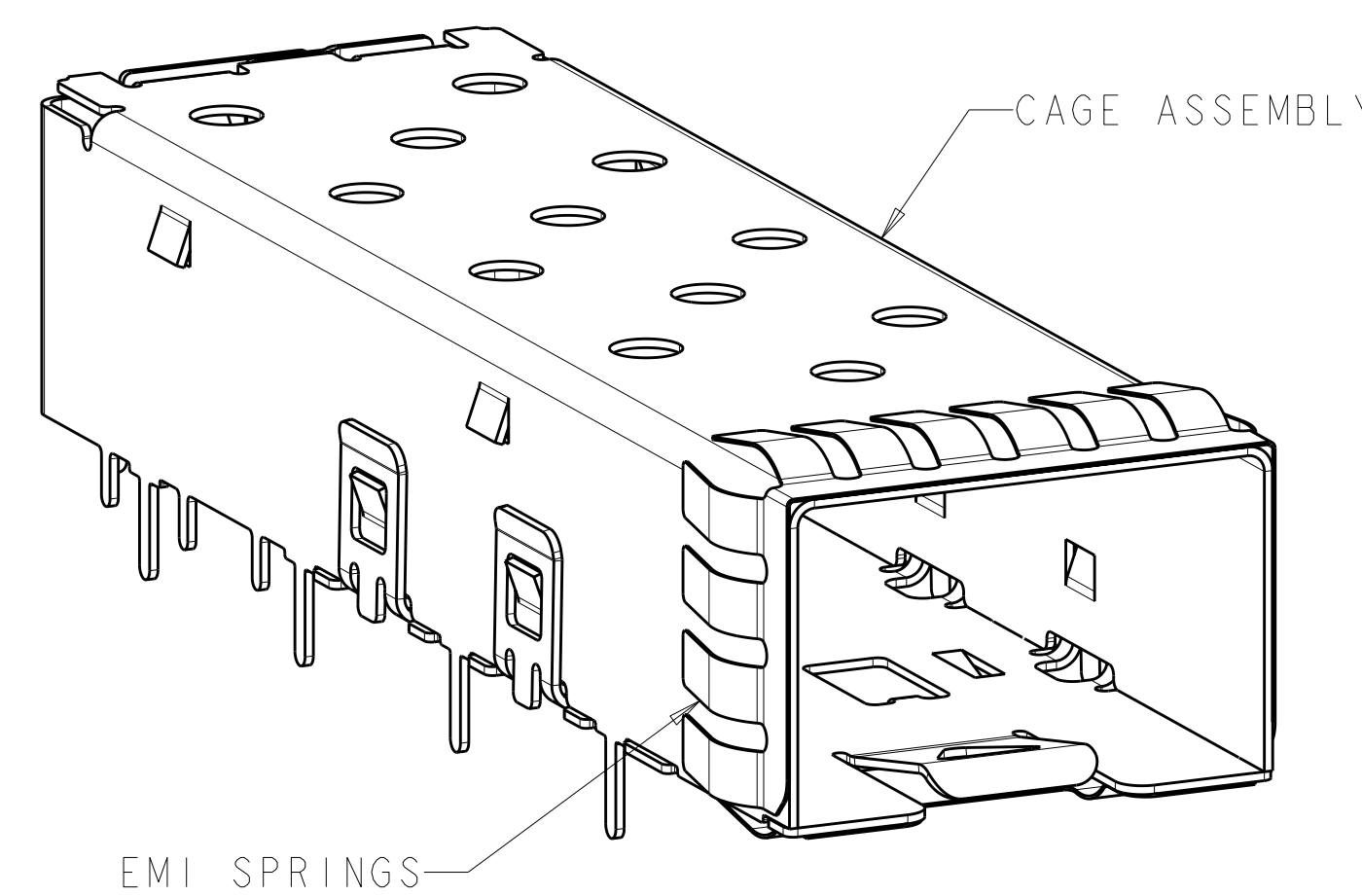
LOC	DIST	REV	DATE	BY	CHK	APPV
GP	00					
		CI	11MAR2011	RK	HMR	



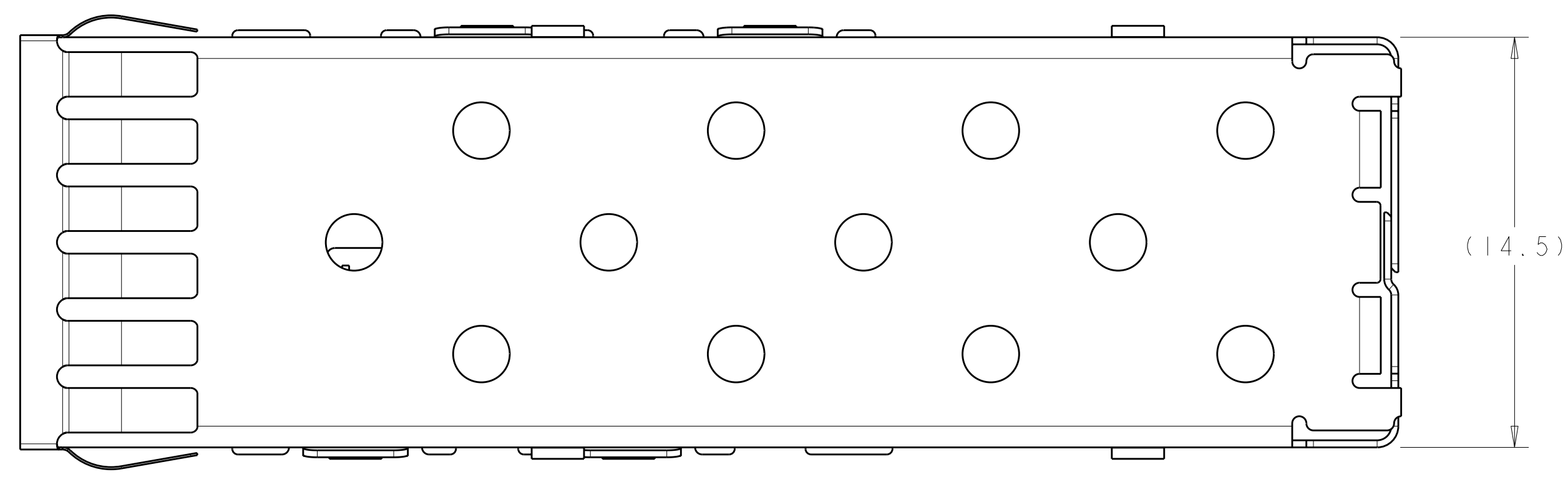
2007194-2
SCALE 5:1



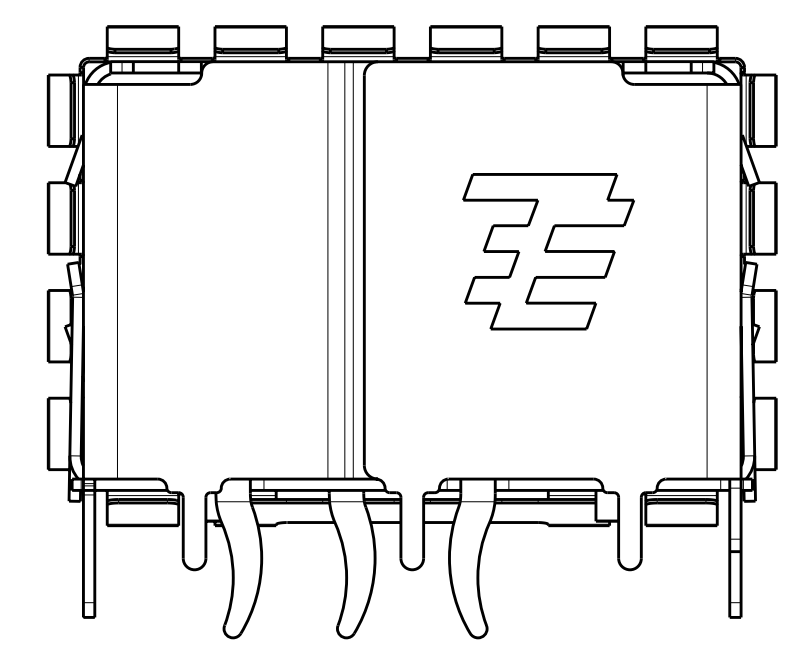
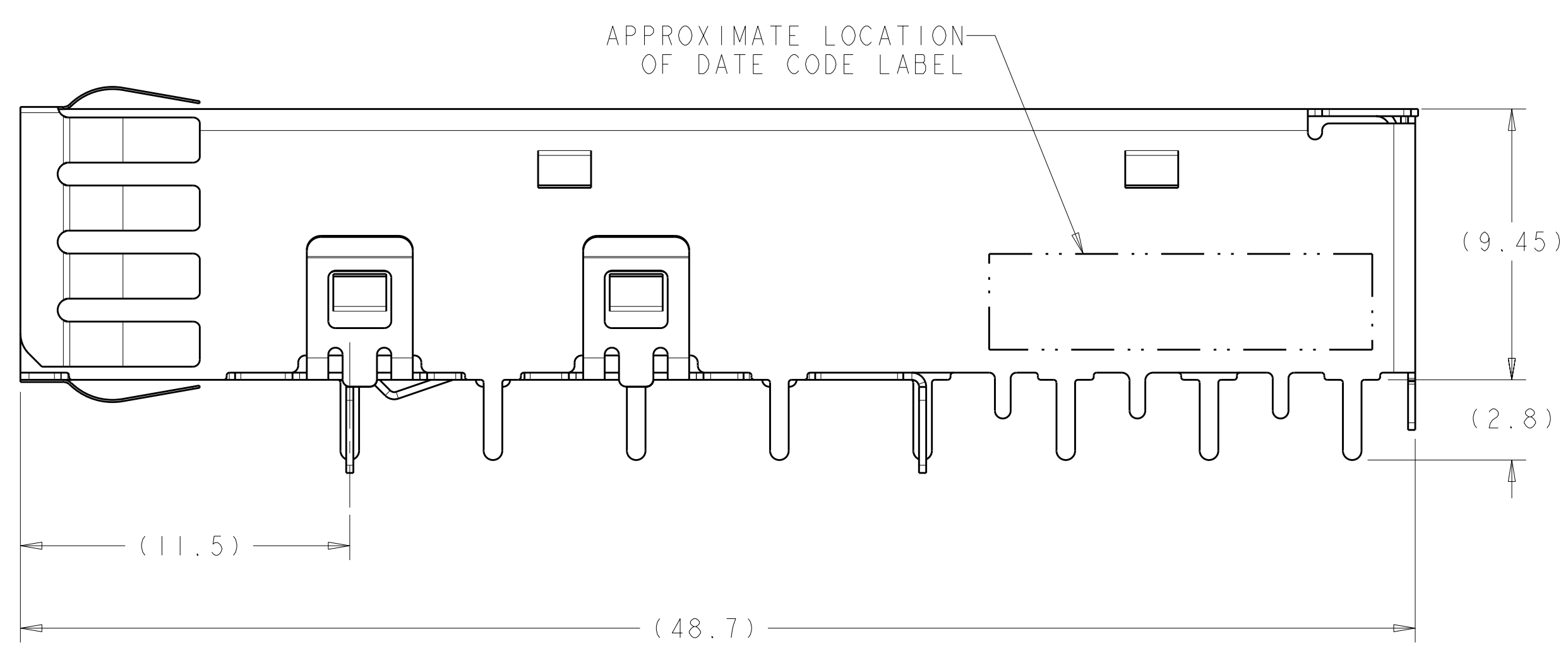
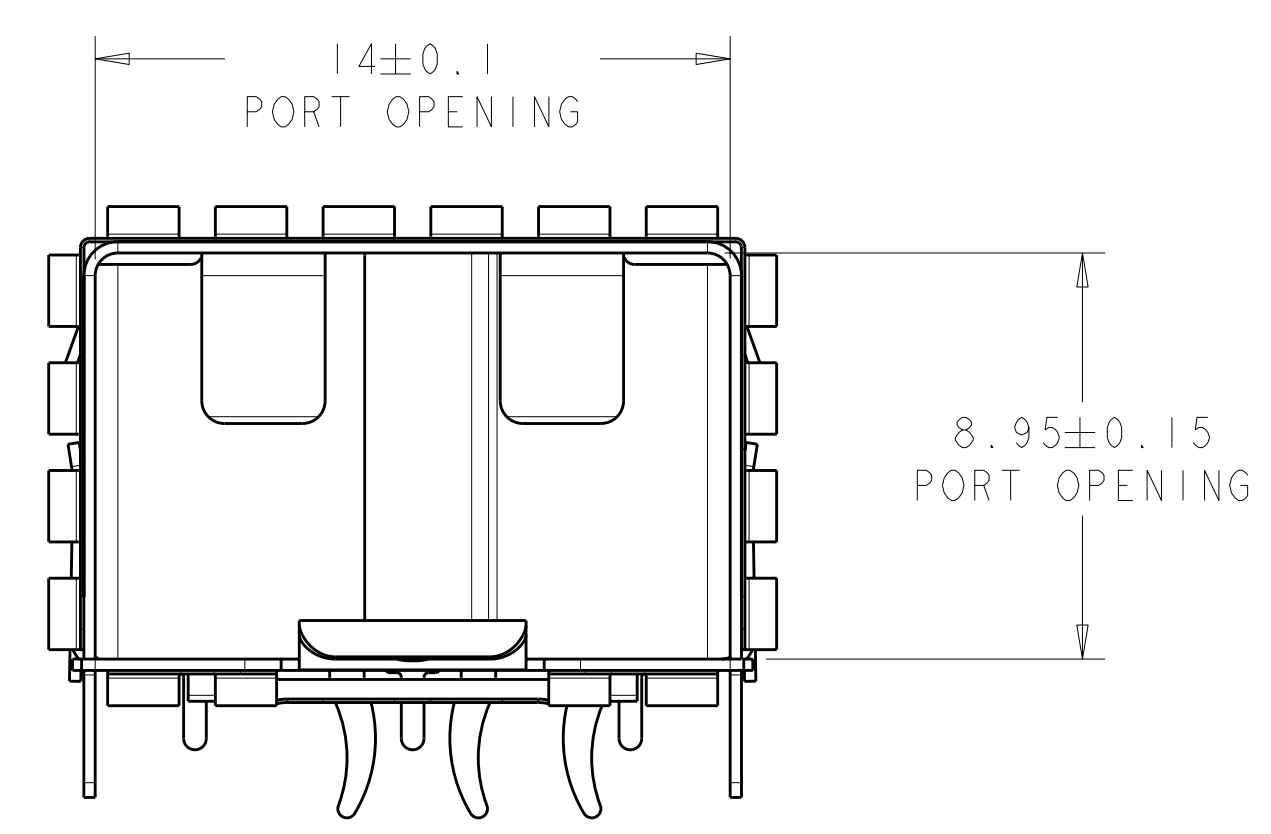
2007194-2
SAME AS 2007194-1 EXCEPT AS SHOWN
TOP VIEW



2007194-1
SCALE 5:1



2007194-1
TOP VIEW

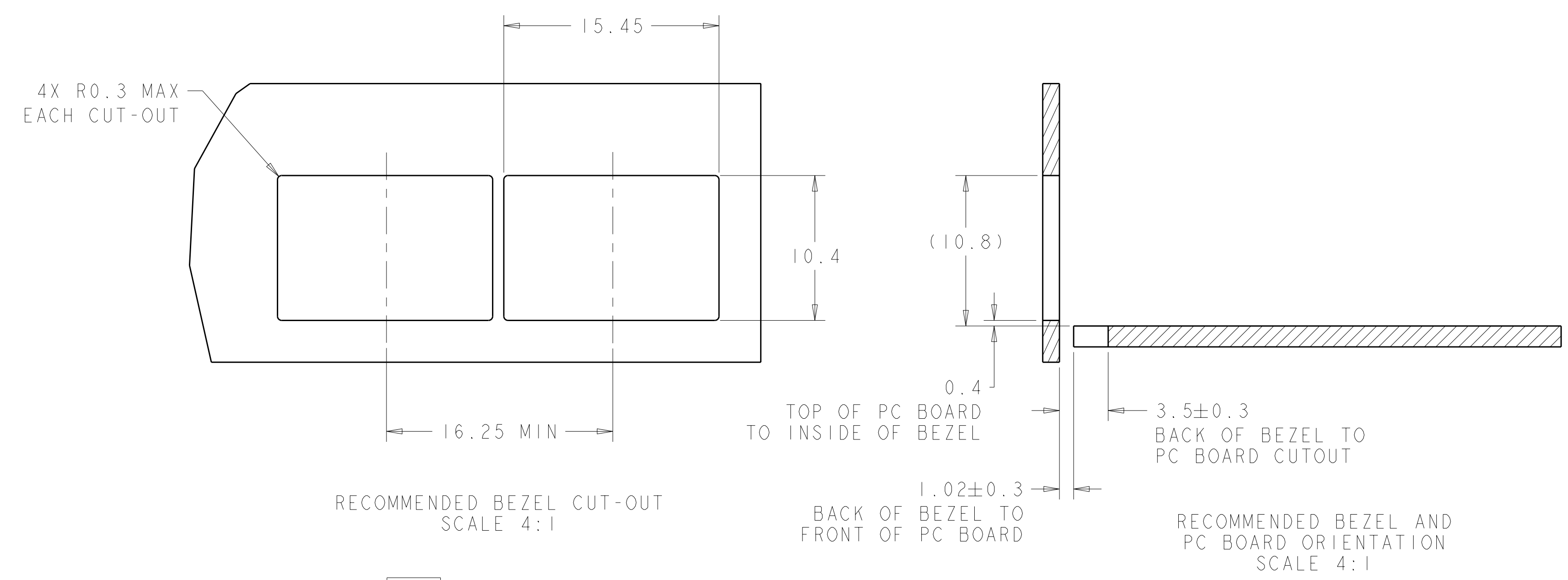


HEATSINK OPENING	2007194-2
EMI HOLES	2007194-1
DESCRIPTION	PART NUMBER

- 1 MATERIAL:
CAGE ASSEMBLY - 0.25mm THICK NICKEL-SILVER ALLOY.
EMI SPRINGS - COPPER ALLOY.
- 2 FINISH:
EMI SPRINGS - 0.8um MIN MATTE TIN OVER 0.8um MIN NICKEL
NON PLATED EDGES PERMISSIBLE.
- 3. MATES WITH SFP MSA COMPLIANT TRANSCEIVERS.
- 4 PADS AND VIAS CHASSIS GROUND.
- 5 DATUMS AND BASIC DIMENSIONS ESTABLISHED BY CUSTOMER.
- 6. MINIMUM PC BOARD THICKNESS:
SINGLE SIDED = 1.50mm.
- 7. NOTE DELETED

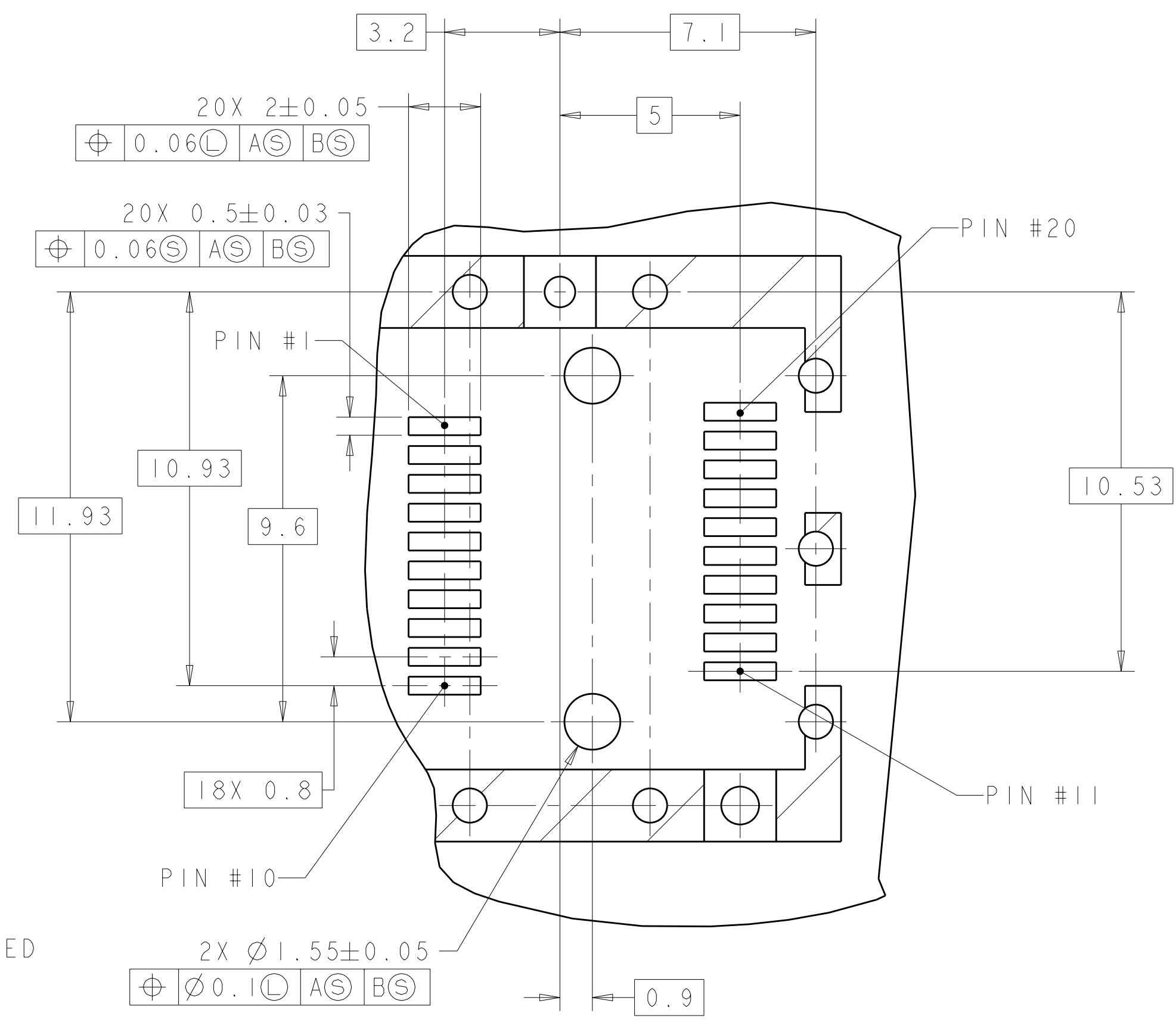
THIS DRAWING IS A CONTROLLED DOCUMENT.		OWN	Z. M. BEAM	10JUL2007
DIMENSIONS:		CHK	M. R. SCHMITT	10JUL2007
mm		APPV	R. H. WERTZ	10JUL2007
TOLERANCES UNLESS OTHERWISE SPECIFIED:		NAME	SFP+ 1X1 CAGE ASSEMBLY, PCI, SOLDER TAILS, EXTERNAL EMI SPRINGS	
9 PLC	±0.1	PRODUCT SPEC	108-2364	
1 PLC	±0.1	APPLICATION SPEC	114-13120	
3 PLC	±0.1	SIZE	A100779	C=2007194
5 PLC	±0.05	WEIGHT		
4 PLC	±0.05	CUSTOMER DRAWING	SCALE	6:1
ANGLES	±0.05		SHEET	1 OF 2
FINISH			REV	C1

LOC	DIST	REV	DATE	BY	APPD
GP	00				

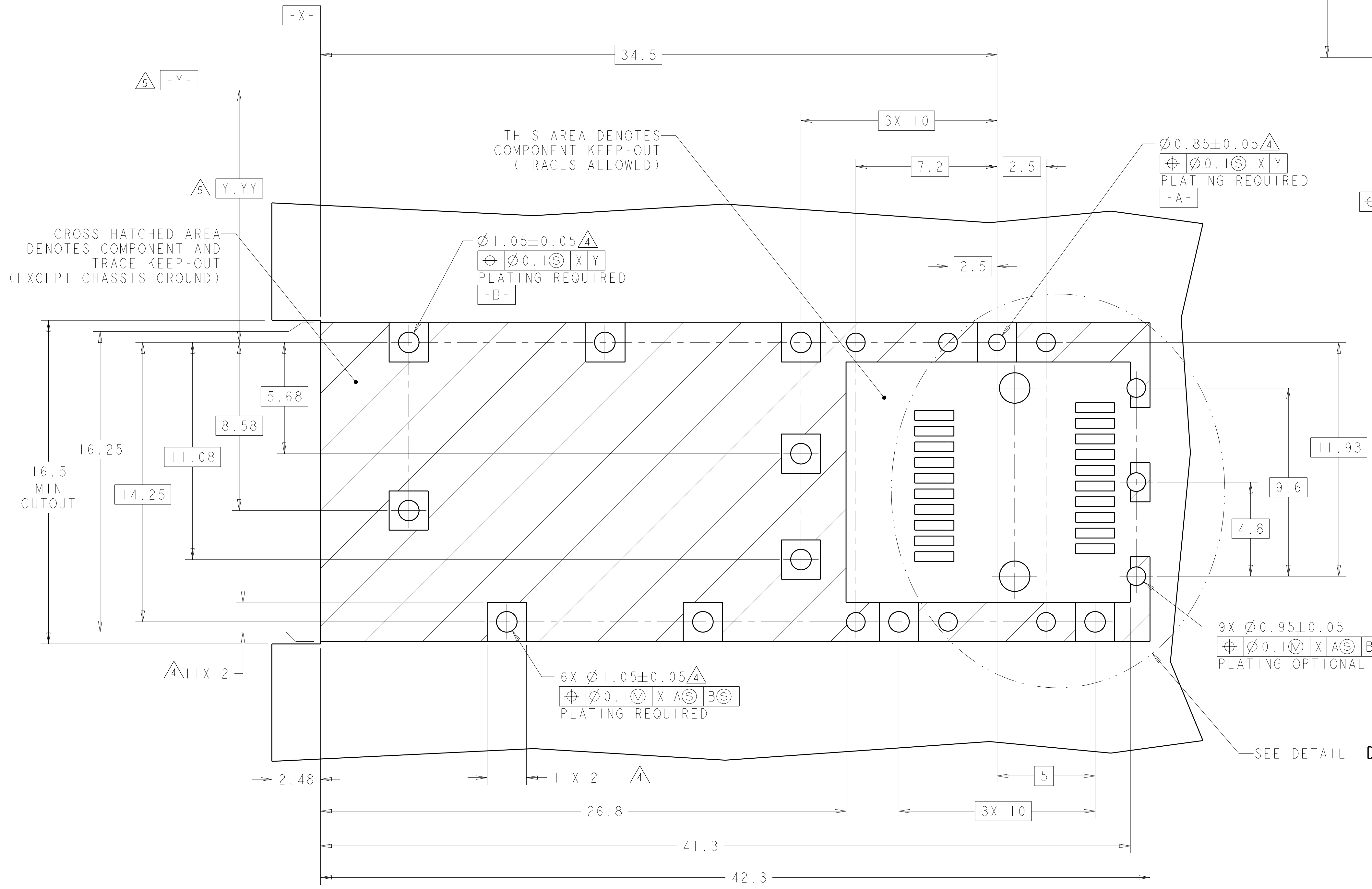


RECOMMENDED BEZEL CUT-OUT
SCALE 4:1

RECOMMENDED BEZEL AND
PC BOARD ORIENTATION
SCALE 4:1



DETAIL D
SCALE 8:1



RECOMMENDED PC BOARD LAYOUT
SCALE 8:1

THIS DRAWING IS A CONTROLLED DOCUMENT.		OWN Z. M. BEAM	10JUL2007	 TE Connectivity			
DIMENSIONS:		CHK M. R. SCHMITT	10JUL2007				
TOLERANCES UNLESS OTHERWISE SPECIFIED:		APPD P. H. WERTZ	10JUL2007				
9 PLC ±0.1 1 PLC ±0.1 3 PLC ±0.1 4 PLC ±0.05 ANGLES ±0.05		NAME	SFP+ 1X1 CAGE ASSEMBLY, PCI, SOLDER TAILS, EXTERNAL EMI SPRINGS				
MATERIAL	FINISH	PRODUCT SPEC	108-2364	SIZE	CAGE CODE	DRAWING NO	RESTRICTED TO
		APPLICATION SPEC	114-13120	A100779	C=2007194		
CUSTOMER DRAWING		WEIGHT		SCALE	6:1	SHEET	2 OF 2