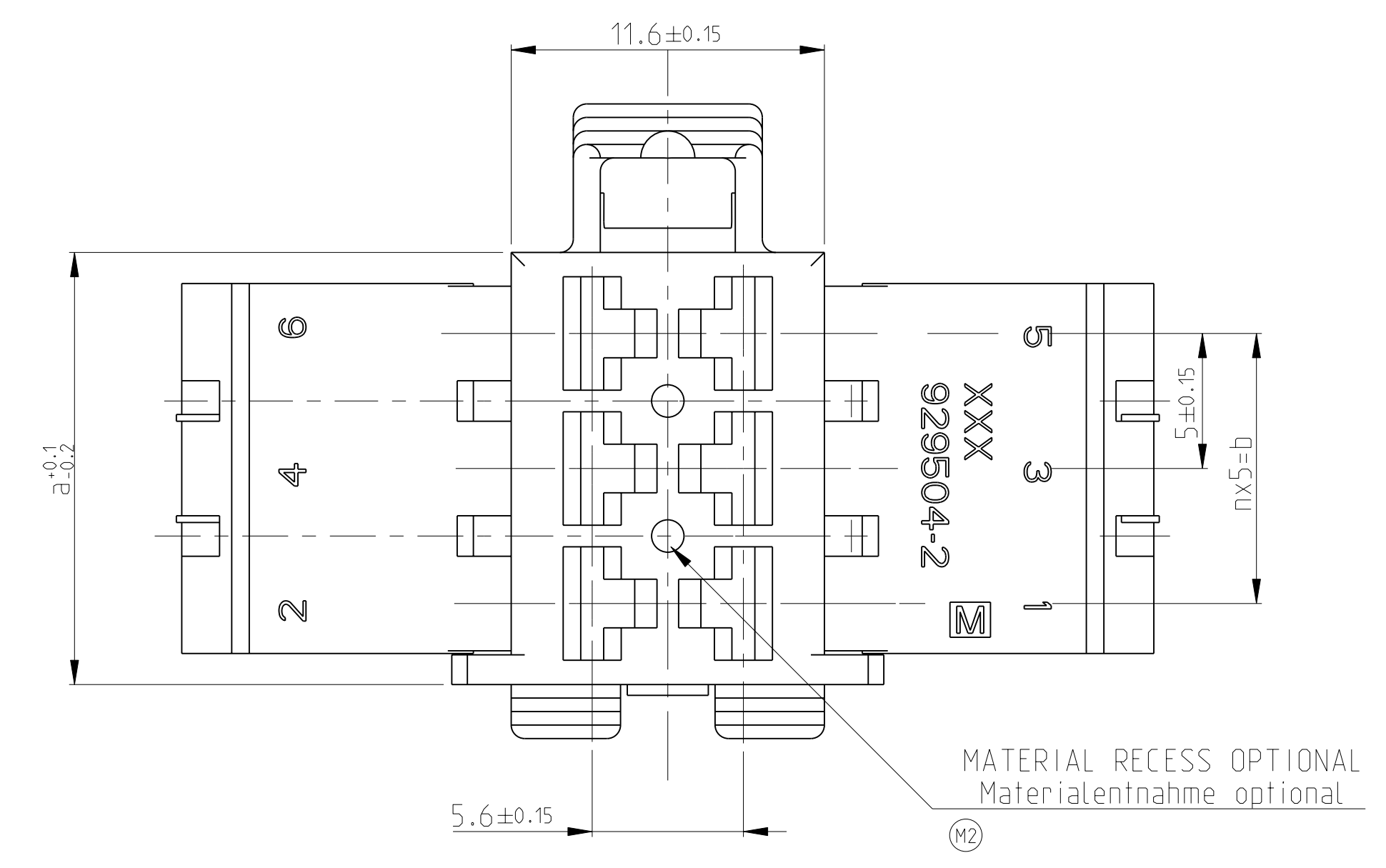
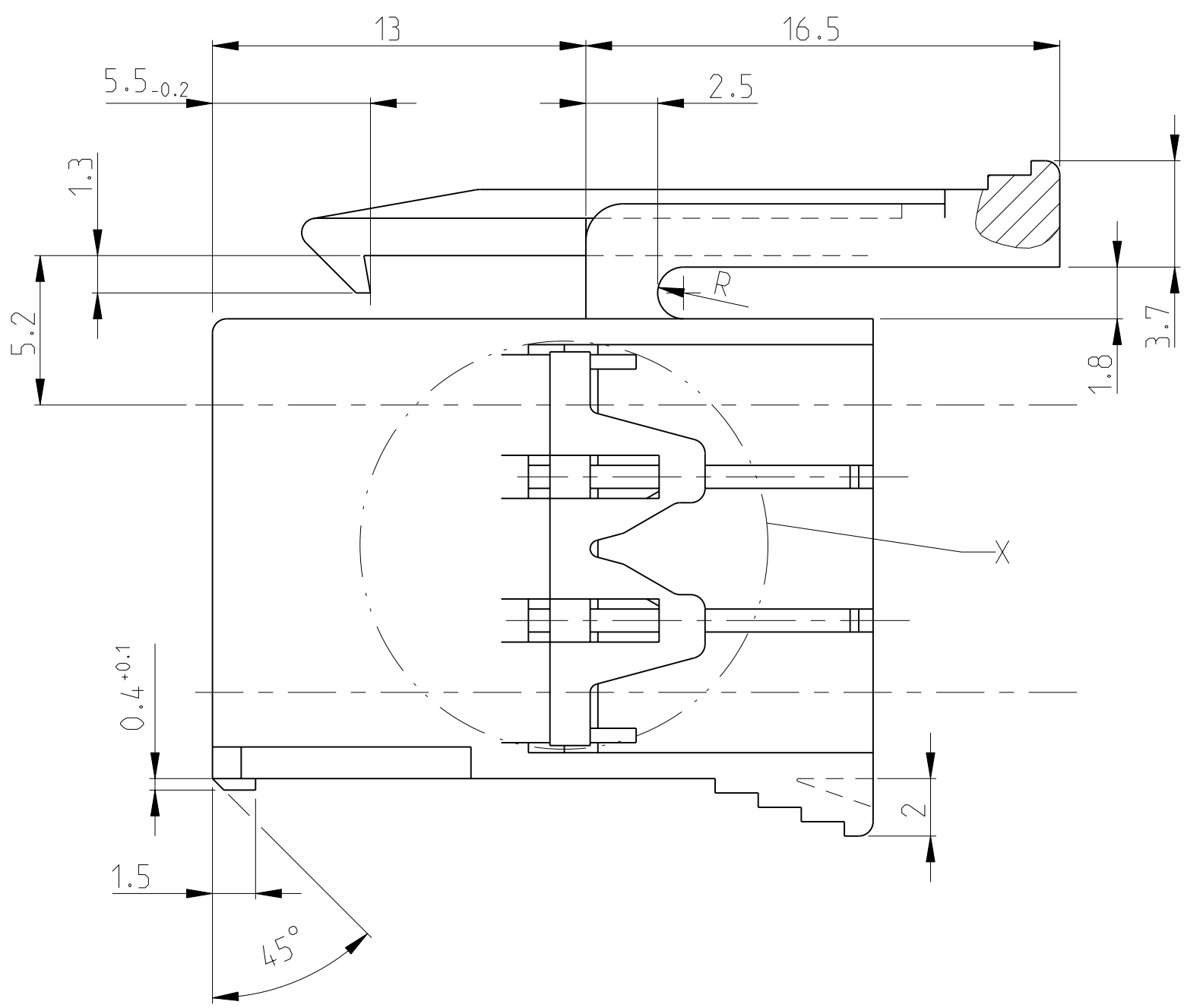
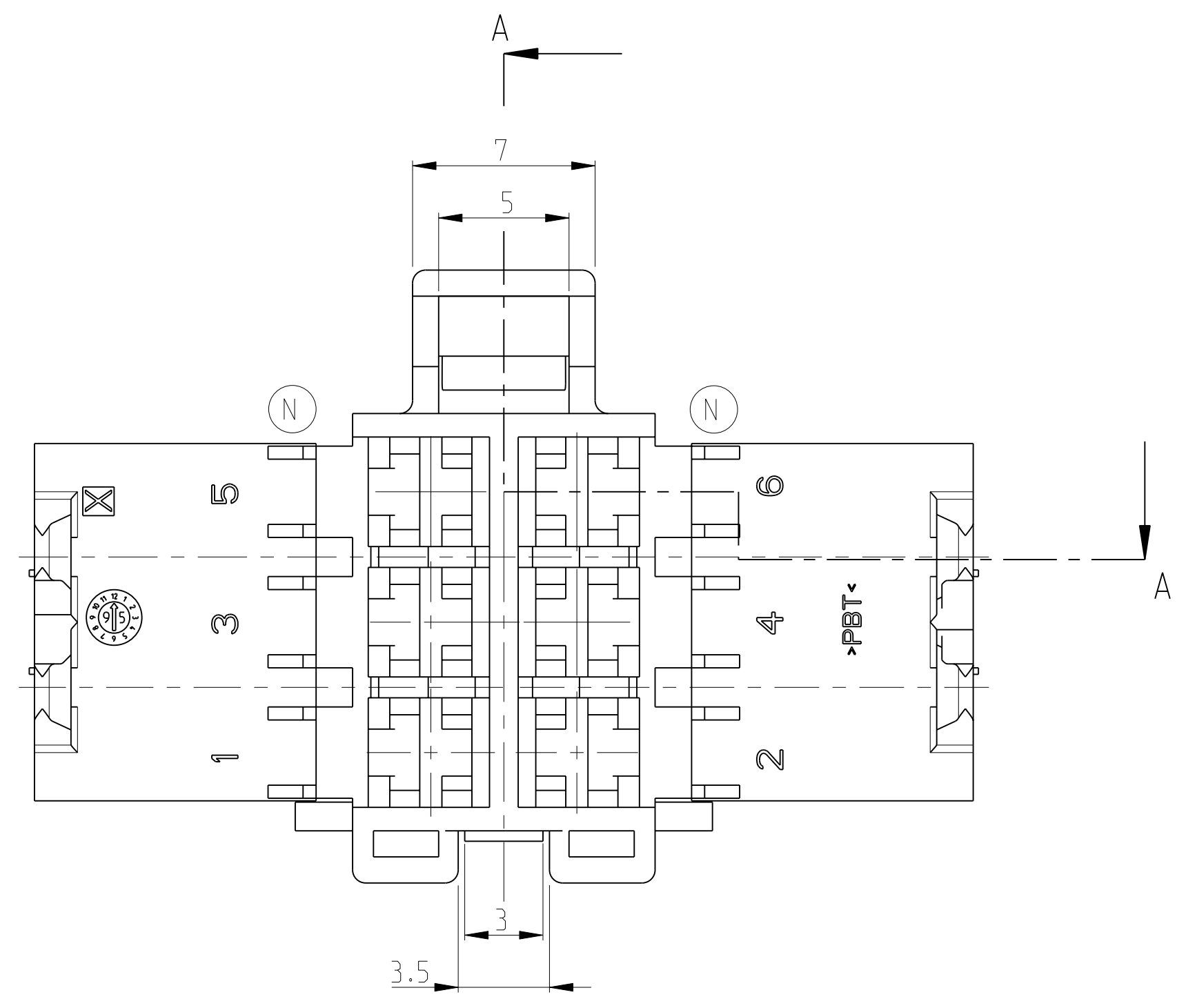
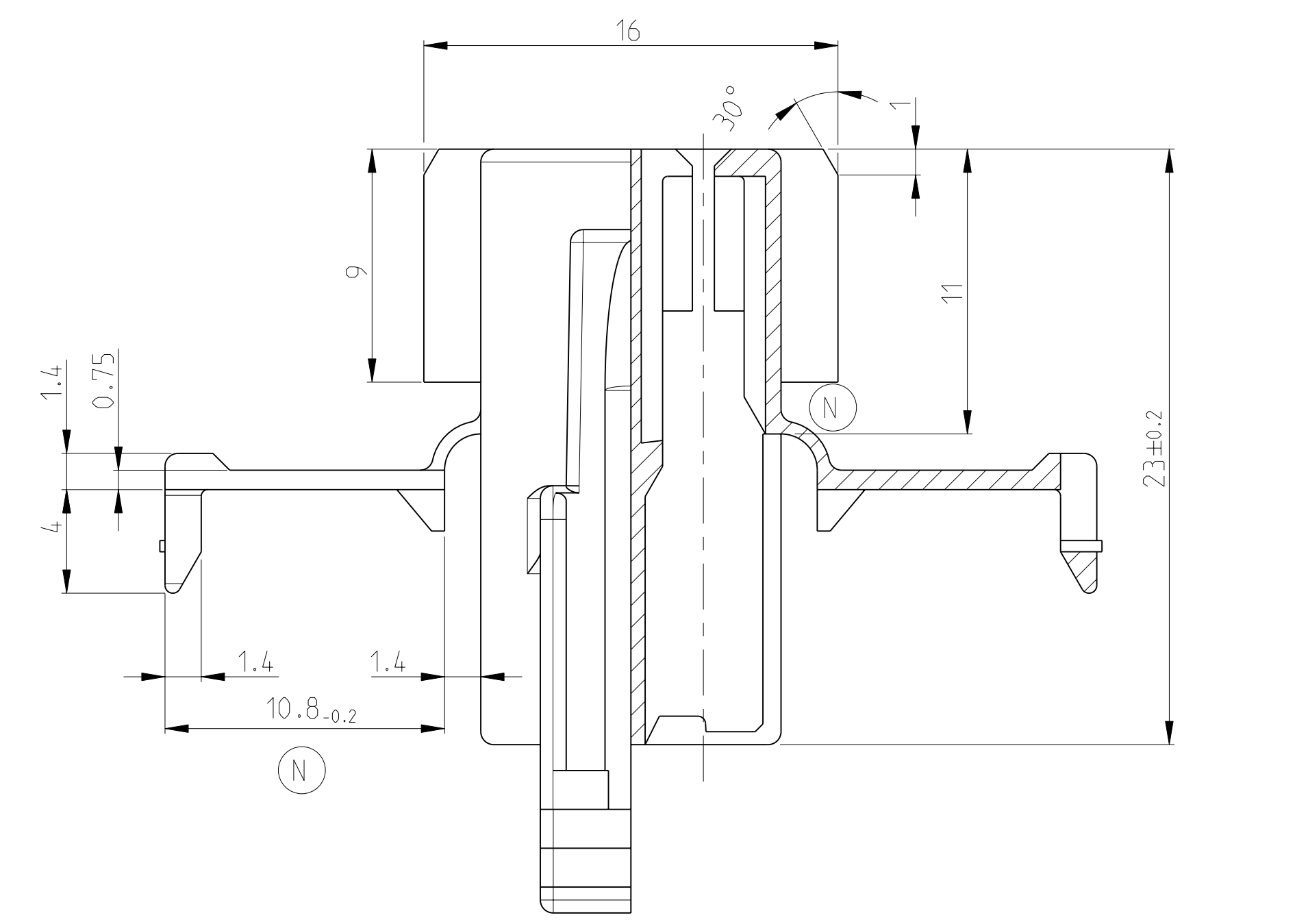


LOC	DIST	REV	DATE	DWN	APVD
A1	-	M	14 APR 1997	GERACH	-
PROJEKT NR.: 85-9385		M1	a...-2 neue Kontur	2 MAR 2001	S.S.
		M2	Optionale Materialentnahme: Zeichnung ueberarb.	15 SEP 2003	GRANZOW
		N	NEW DIMENSION OF HINGE	15 JAN 2008	HASSEL LAPPMAN

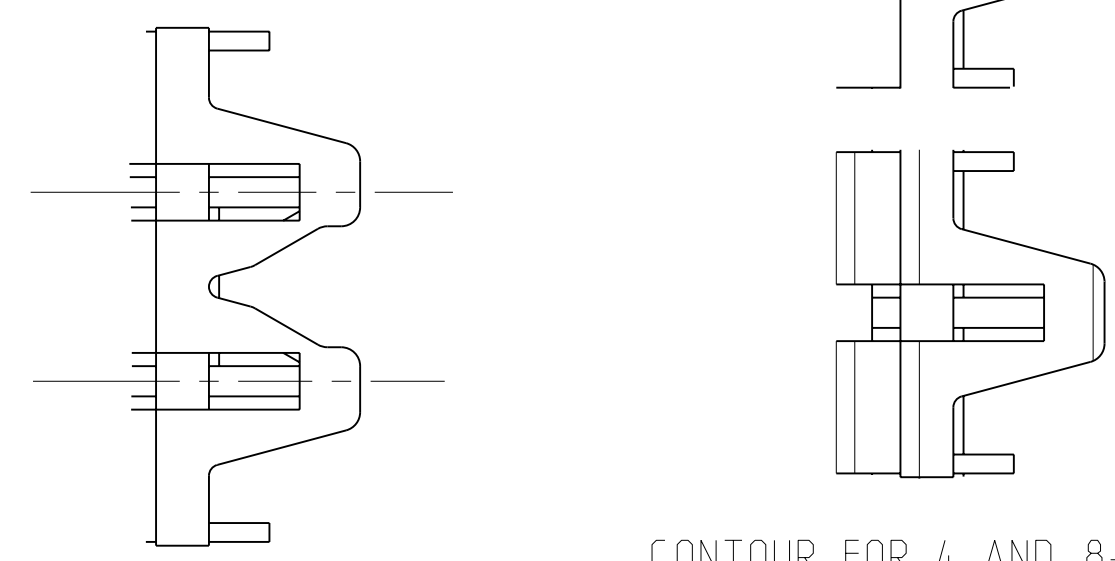


MATERIAL RECESS OPTIONAL  
Materialentnahme optional

SECTION Schnitt A-A



DETAIL X Einzelheit

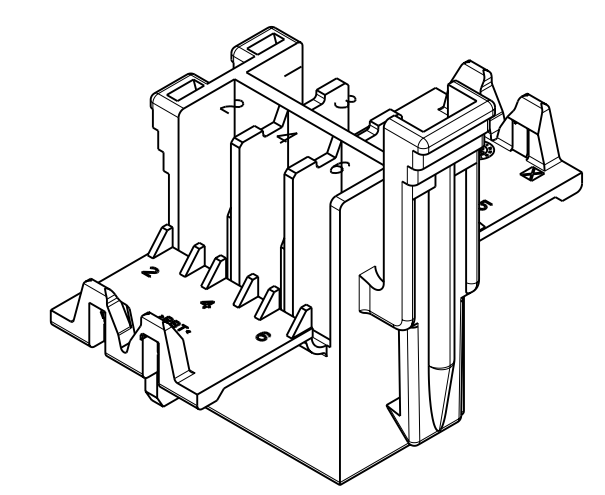


CONTOUR FOR 6POS. JPT-HSG. Kontur fuer 6pol. JPT-Hsg.  
CONTOUR FOR 4 AND 8-22POS. JPT-HSG. Kontur fuer 4 u. 8-22pol. JPT-Hsg.

CONTACT CAVITY NUMBERS Kammernummerierung	b	a	n	COLOUR Farbe	TE ORDER-NO. TE Bestell-Nr.	REV	DESCRIPTION/WEIGHT Benennung/Gewicht
	50	56	10	BLACK schwarz NATURAL natur	929504-7 1-929504-7	N	22POS. JPT-HSG. 22pol. JPT-Geh. 9.3g
	40	46	8	BLACK schwarz NATURAL natur	929504-6 1-929504-6	N	18POS. JPT-HSG. 18pol. JPT-Geh. 7.7g
	30	36	6	BLACK schwarz NATURAL natur	929504-5 1-929504-5	N	14POS. JPT-HSG. 14pol. JPT-Geh. 6.2g
	20	26	4	BLACK schwarz NATURAL natur	929504-4 1-929504-4	N	10POS. JPT-HSG. 10pol. JPT-Geh. 4.6g
	15	21	3	BLACK schwarz NATURAL natur	929504-3 1-929504-3	N	8POS. JPT-HSG. 8pol. JPT-Geh. 3.9g
	10	16	2	BLACK schwarz NATURAL natur	929504-2 1-929504-2	N	6POS. JPT-HSG. 6pol. JPT-Geh. 3.1g
	5	11	1	BLACK schwarz NATURAL natur GREEN gruen	929504-1 1-929504-1 2-929504-1	N	4POS. JPT-HSG.. 4pol. JPT-Geh. 2.4g

NOTES:  
Bemerkungen:

- SUITABLE JUNIOR POWER TIMER CONTACTS SEE DRAWING:  
Passende Junior Power Timer Kontakte siehe Zeichnung:  
TYCO-Nr.:1355046  
MAX. ALLOWED WIRE SIZE 2.5MM<sup>2</sup>FLR  
max. zulaessiger Leitungsquerschnitt 2.5mm<sup>2</sup> FLR
- SUITABLE COUNTERPARTS:  
Passende Gegenstuecke:  
2.8mm FF TAB-HOUSING TYCO-Nr. 929505  
2.8mm FF Flachstecker-Gehaeuse  
2.8mm TAB-HEADER 90DEG TYCO-Nr. 828801  
2.8mm Messerleiste 90°  
2.8mm TAB-HEADER 180DEG TYCO-Nr. 963357  
2.8mm Messerleiste 180°



3D-MODEL (6 POS.)  
2:1

<p>THIS DRAWING IS CONTROLLED THROUGH THE TYCO ELECTRONICS CORPORATION. IT IS SUBJECT TO CHANGE WITHOUT NOTICE AND WITHOUT OBLIGATION TO BE KEPT UP TO DATE. THIS DRAWING IS THE PROPERTY OF TYCO ELECTRONICS CORPORATION. IT IS TO BE KEPT IN CONFIDENTIALITY AND NOT TO BE REPRODUCED OR TRANSMITTED IN ANY FORM OR BY ANY MEANS, ELECTRONIC OR MECHANICAL, INCLUDING PHOTOCOPYING, RECORDING, OR BY ANY INFORMATION STORAGE AND RETRIEVAL SYSTEM. ANY UNAUTHORIZED REPRODUCTION OR TRANSMISSION IS STRICTLY PROHIBITED. ALL RIGHTS RESERVED. ALLE RECHTE VORBEHALTEN.</p>		<p>DWN A. RICHTER</p> <p>DATE 28AUG95</p> <p>CHK J. HOSS</p> <p>APVD 26NOV07</p>	<p>TYCO Electronics Tyco Electronics AMP GmbH D-63225 Langen</p>
<p>PRODUCT SPEC 4-22 POS. JUNIOR POWER TIMER-HOUSING 4-22Pol. Junior Power Timer-Gehaeuse</p>		<p>NAME A1100779</p> <p>SIZE A</p> <p>CAGE CODE 929504</p> <p>DRAWING NO. 929504</p>	<p>RESTRICTED TO NUR FÜR -</p>
<p>MATERIAL PBT</p>		<p>APPLICATION SPEC VERARBEITUNGSSPEZ.</p> <p>WEIGHT GEWICHT -</p> <p>CUSTOMER DRAWING</p>	<p>SCALE MASSSTAB 5:1</p> <p>SHEET BLATT 1</p> <p>OF VON 1</p> <p>REV -</p>