



EUROCARD CONNECTORS PER DIN 41612 AND IEC 60603-2

Quick Reference Guide

TE Connectivity's (TE) Eurocard connectors incorporate internationally accepted design advantages of DIN 41612 and IEC 60603-2 two-piece connectors in a quality design that provides high Signal Integrity (SI) and electrical performance. With a board portfolio, it's easy to find the right connector type and style to fit your application. Common Bus Systems include STE Bus, CIMBUS, FUTUREBUS, VMEBus, MULTIBUS (II), NUBUS, VXi Bus and VME 64X.

Eurocard Connectors

The Eurocard line is available in board-to-board, wire-to-board, ribbon cable-to-board and high current connectors.

APPLICATIONS

- Data centers
- Storage
- Servers
- Base stations
- Telecommunications equipment
- Backplane and motherboard assemblies
- Switching systems
- Modular rack systems

STANDARD BUSES

- CIMBUS Type B, 64 Position
- FUTUREBUS Type C, 96 Position
- MULTIBUS (II) Type C, 96 Position
- NUBUS Type C, 96 Position
- STE Bus Type B, 64 Position
- VME 64X Type C, 96 Position
- VMEbus Type C, 96 Position
- VXI Bus Type C, 96 Position

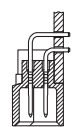
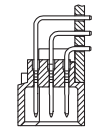
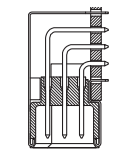
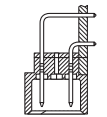
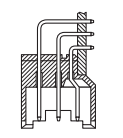
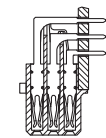
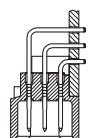
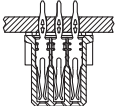
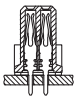
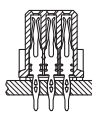
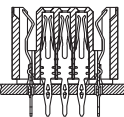
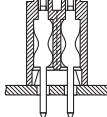
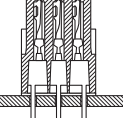
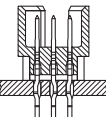
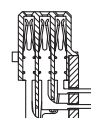
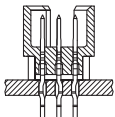
PRODUCT SPECIFICATIONS

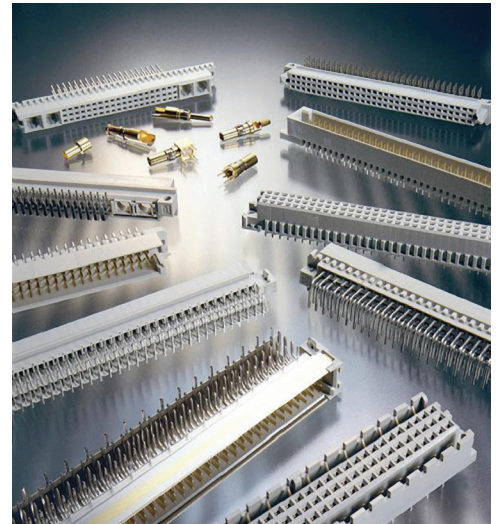
- **DIN 41612** Two-Part Connectors for Printed Circuit Boards
- **IEC 60603-2** Connectors for Frequencies below 3 MHz for Printed Circuit Boards

APPLICATION SPECIFICATIONS

- **114-9014** Eurocard Connector Types B, C, M and R (Board-to-Board Application)
- **114-19004** Eurocard Connector, Type F Receptacle
- **114-12026** Type M Coax Contacts
- **114-10014** Size VIII Power Contacts

STANDARD CONFIGURATION TYPES

Type B	Type C & M	Enhanced Type C	Type D	Type F	Type R	Type C	Type C
							
							
Type B	Type C & M	Enhanced Type C	Type D	Type F	Type R	Type C	Type C



KEY FEATURES

- Meets DIN 41612 and IEC 60603-2
- Two-piece reliability
- Polarized housings
- Flame retardant
- Types B, C, D, F, M, Q and R
- Standard DIN sizes as well as half, third, and expanded sizes
- Various solder post lengths and ACTION PIN and eye-of-needle contact tails
- Selective contact loading

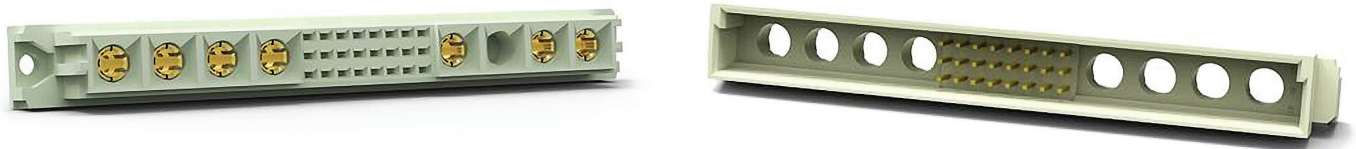
DIN 41612 STANDARD PART NUMBER TABLE

Positions / Loaded	Rows Loaded	Termination	Post Length	Board Locks	High Temp Housing	Part Number
TYPE C						
Plugs, Right Angle						
150 / 150	A, B, C	Posted	.104	—	—	5650907-5
120 / 120	A, B, C	Posted	.104	—	—	5650906-5
				✓	—	5650914-5
96 / 96	A, B, C	Posted	.104	—	—	5650473-5
				—	✓	5536010-5
				✓	—	5650913-5
			.130	✓	✓	5536416-5
				—	—	5536146-5*
				✓	—	5536149-5*
96 / 64	A, C	Posted	.104	—	—	215605-4
				—	—	5650945-5
48 / 48	A, B, C	Posted	.104	—	✓	5536742-5
				✓	—	5536356-5
48 / 32	A, C	Posted	.104	—	—	5650478-5
				✓	—	5650916-5
				✓	✓	5148020-5
30 / 30	A, B, C	Posted	.118	—	—	216398-4
				—	—	5650946-5
96 / 64	A, C	Posted	.130	—	—	5650946-5
				✓	—	5650978-5
48 / 48	A, B, C	Posted	.130	—	—	106276-4
				✓	—	6-1393644-9
48 / 32	A, C	Posted	.098	—	—	7-1393644-1
				—	—	148452-5**
Receptacles, Vertical						
160 / 160	A, B, C	ACTION PIN	—	—	—	148452-5**
150 / 150	A, B, C	Posted	.130	—	—	5650405-5
120 / 120	A, B, C	Posted	.130	—	—	5535098-5
				✓	—	5536494-5
96 / 96	A, B, C	Posted	.130	—	—	5535090-5
				✓	—	5650963-5
				—	—	5536153-5*
				✓	—	5536155-5*
				—	—	5535032-5
96 / 64	A, C	Posted	.130	—	—	650992-5*
				✓	—	5650956-5
				—	—	5650983-5
48 / 48	A, B, C	Posted	.130	—	—	5535059-5
				✓	—	5535070-5
48 / 32	A, C	Posted	.098	—	—	5536484-5
				—	—	5535034-5
48 / 32	A, C	Posted	.104	—	—	5650459-5
TYPE D						
Plugs, Right Angle						
48 / 32	A, C	Posted	.118	—	—	1551603-1
Receptacles, Vertical						
48 / 32	A, C	Posted	.177	—	—	4-6437082-9
32 / 32	A, B	Posted	.104	—	—	5536053-5

DIN 41612 STANDARD PART NUMBER TABLE, *continued*

Positions / Loaded	Rows Loaded	Termination	Post Length	Board Locks	High Temp Housing	Part Number
TYPE F						
Plugs, Right Angle						
48 / 48	Z, B, D	Posted	.110	—	—	2-164045-4
48 / 32	Z, D	Posted	.110	—	—	2-164306-4
Receptacles, Vertical						
48 / 48	Z, B, D	Posted	.157	—	—	166733-4
		ACTION PIN	—	—	—	166648-4
48 / 32	Z, D	Posted	.157	—	—	166951-4
TYPE R						
Receptacles, Right Angle						
150 / 150	A, B, C	Posted	.110	—	—	5650875-5
		Eye of Needle	—	✓	—	5650959-5
120 / 120	A, B, C	Posted	.110	—	—	5650874-5
		Eye of Needle	—	—	—	5148360-5
96 / 96	A, B, C	Posted	.110	—	—	5650461-5
				✓	—	5650895-5
		✓	✓	5148242-5		
96 / 64	A, C	Posted	.110	—	—	5148292-5
				✓	—	5650870-5
48 / 48	A, B, C	Posted	.110	—	—	5650875-5
				✓	—	5650893-5
48 / 32	A, C	Posted	.118	—	—	2-1393656-8
30 / 30	A, B, C	Posted	.118	✓	—	2-1393656-2
TYPE B						
Plugs, Right Angle						
64 / 64	A, B	Posted	.104	—	—	5536052-5
				✓	—	5536385-5
32 / 32	A, B	Posted	.104	—	—	5536053-5
				✓	—	5536386-5
20 / 20	A, B	Posted	.118	—	—	5-1393644-6
Receptacles, Vertical						
64 / 64	A, B	Posted	.130	✓	—	5650860-5
		ACTION PIN	—	—	—	5650865-5
32 / 32	A, B	Posted	.130	—	—	5536446-5
		ACTION PIN	—	—	—	5650864-5
20 / 20	A, B	Posted	.114	—	—	7-1393640-2

DIN 41612 TYPE M: POWER AND COAX



Housing Assemblies

Signal Contacts / Loaded	Power or Coax Contacts / Loaded	Termination	Post Length	Part Number
24 / 24	8 / 0	Posted	.104	5148414-5*
78 / 78	2 / 0	Posted	.118	1-1393645-7
60 / 60	4 / 0	Posted	.104	148412-5
42 / 42	6 / 0	Solder	.104	148413-5
24 / 24	8 / 7	ACTION PIN	.236	148497-5*
78 / 78	2 / 0	ACTION PIN	.190	5148417-5
60 / 60	4 / 0	ACTION PIN	.190	5148420-5
42 / 42	6 / 0	ACTION PIN	.146	5-1393637-7

*Connectors for CompactPCI applications

Power Contacts

Current	Applies To	Wire Size (AWG)	Type	Premate	Part Number
10 A	PCB	—	Vert Plug	Yes	3-1393589-5
				No	3-1393589-1
20 A	Wire	16-18	Cable Recpt	No	1-1393589-1
			Cable Plug	No	1393589-3
	PCB	—	R/A Plug	No	1-1393589-8
				Yes	1-1393589-7
40 A	Wire	8	R/A Recpt	No	2-1393589-9
			Vert Recpt	Yes	2-1393589-7
				No	148375-1
40 A	Wire	8	Cable Plug	No	1393589-1
			Cable Recept	No	1393589-7
				Yes	1393589-7

Coaxial Contacts

Applies To	Type	Part Number
PCB	R/A Plug	1-1393662-4
	Vert Recpt	1-1393662-0
RG-179 Cable	Cable Plug	3-1393668-4
	Cable Plug	3-1393668-0
RG-316 Cable	Cable Plug	1392020-1
	Cable Recpt	1392019-1
	R/A Cable Recpt	1393668-4

DIN 41612 ACCESSORIES

Type C Receptacle EUROLATCH Ribbon Cable Connectors

Positions / Loaded	Rows Loaded	Termination	Part Number			
			Connector	Hand Tool Kit	Pneumatic Tool	Manual Tool
96 / 64	A, C	IDC	746603-1	768340-1	91112-3	91085-2

Two-Piece Cable Clamp Assemblies

Connector Type	Part Number
C, D	826196-1
F	826198-1

Dust Covers

Connector Type	Part Number	
	Receptacle	Plug
C and R	174376-1	174375-1

Guide Brackets

Connector Type	Part Number
C	2-826199-8
D	7-826199-0
F	8-826199-0

Keying Systems

Type	Part Number
C, D, R Plug	926495-4
B, C, D, F, R Receptacle	926495-2

Application Tooling for Eurocard Connectors with ACTION PIN Contacts

Connector Type	Post Size	Part Number	
		Standard Tool	Economy Tool
C	.025 x .025	432583-1	535072-1
	.012 x .012	Flat Rock	Flat Rock
C (Half Size)	.025 x .025	432582-1	—
	.012 x .012	Flat Rock	Flat Rock
C (128 position)	.025 x .025	432584-1	—
C (160 position)	.025 x .025	432585-1	—
F	.025 x .025	Flat Rock	Flat Rock
	.039 x .039	Flat Rock	Flat Rock
M	.025 x .025	—	148454-1
M Crimp Power Contacts	—	Daniels crimping tool M 300-BT	—

DIN 41612 PERFORMANCE LEVELS

Industry	Military	Commercial / Industrial	Rarely Mate / Unmate
Level	Level 1	Level 2	Level 3
Test Batch P			
Dimensional Check	Yes	Yes	Yes
Contact Resistance	20 milliohms	20 milliohms	—
Insulation Resistance	1 E 12 ohms	1 E 12 ohms	1 E 11 ohms
Dielectric Strength	1000 V	1000 V	1000 V
Test Batch AP			
Withdrawal Force (Single Pin)	0.15 N (.54 oz) Min.	0.15 N (.54 oz) Min.	0.15 N (.54 oz) Min.
Mating / Unmating Force (96 pos)	90.7 N (20.4 lb) Max.	90.7 N (20.4 lb) Max.	90.7 N (20.4 lb) Max.
Solderability	Yes	Yes	Yes
Dielectric Strength	1000 V	1000 V	—
Vibration	10-2000 Hz, 20G	10-500 Hz, 6G	—
Shock	490 m/s ² (50G)	—	—
Acceleration	980 m/s ²	—	—
Rapid Temperature Change	-55°C, +125°C	-55°C, +125°C	—
Insulation Resistance	1 E 12 ohms	1 E 12 ohms	—
Dielectric Strength	1000 V	1000 V	—
Visual Examination	Yes	Yes	Yes

DIN 41612 PERFORMANCE LEVELS, *continued*

Industry	Military	Commercial / Industrial	Rarely Mate / Unmate
Level	Level 1	Level 2	Level 3
Test Batch AP, <i>continued</i>			
Climatic Sequence	5 cycles	5 cycles	—
Dry Heat	+125 °C, 16 hours	+125 °C, 16 hours	+125 °C, 16 hours
Insulation Resistance During Dry Heat	1 E 11 ohms	1 E 11 ohms	1 E 10 ohms
Humid Heat	+55°C	+40°C	—
Cold	-55°C	-55°C	-55°C
Partial Vacuum	300 Mbar	300 Mbar	—
Dielectric Strength	300 V	300 V	—
Humid Heat	+55°C	+40°C	—
Insulation Resistance	1 E 10 ohms	1 E 10 ohms	1 E 9 ohms
Contact Resistance	20 milliohms	20 milliohms	20 milliohms
Dielectric Strength	1000 V	1000 V	—
Mating and Unmating	90.7 N (20.4 lb)	90.7 N (20.4 lb)	90.7 N (20.4 lb)
Visual Examination	Yes	Yes	Yes
Test Batch BP			
Withdrawal Force	0.15 N (.54 oz)	0.15 N (.54 oz)	0.15 N (.54 oz)
Durability	250 cycles	200 cycles	50 cycles
Industrial Atmosphere	21 days S02	4 days S02	—
Contact Resistance	20 milliohms	20 milliohms	—
Durability	250 cycles	200 cycles	—
Insulation Resistance	1 E 12 ohms	1 E 12 ohms	—
Dielectric Strength	1000 V	1000 V	—
Withdrawal Force	0.15 N (.54 oz)	0.15 N (.54 oz)	0.15 N (.54 oz)
Visual Examination	Yes	Yes	Yes
Static Axial Force	90 N (20.25 lb)	—	—
Test Batch CP			
Humid Heat	56 days	56 days	—
Insulation Resistance	1 E 10 ohms	1 E 10 ohms	—
Contact Resistance	20 milliohms	20 milliohms	—
Dielectric Strength	1000 V	1000 V	—
Visual Examination	Yes	Yes	—
Test Batch DP			
Durability	250 cycles	200 cycles	—
Electric Load at High Temperature	1 ampere at 70°C	1 ampere at 70°C	—
Contact Resistance	20 milliohms	20 milliohms	—
Dielectric Strength	1000 V	1000 V	—
Discharge Voltage	1000 V	1000 V	—
Visual Examination	Yes	Yes	—
Test Batch EP			
Mechanical Strength of Terminals	20 N (4.5 lb)	20 N (4.5 lb)	20 N (4.5 lb)
Contact Mount in Use	10 N (2.25 lb)	10 N (2.25 lb)	10 N (2.25 lb)
Growth of Mold	Yes	—	—
Visual Examination	Yes	—	—
Combustibility	10 sec burning	—	—

TE TECHNICAL SUPPORT CENTER

USA	+1 (800) 522-6752
Canada	+1 (905) 475-6222
Mexico	+52 (0) 55-1106-0800
Latin/S. America	+54 (0) 11-4733-2200
Germany	+49 (0) 6251-133-1999
UK	+44 (0) 800-267666
France	+33 (0) 1-3420-8686
Netherlands	+31 (0) 73-6246-999
China	+86 (0) 400-820-6015

Part numbers in this brochure are RoHS Compliant*, unless marked otherwise.

te.com

ACTION PIN, TE Connectivity, TE Connectivity (logo) and Every Connection Counts are trademarks. All other logos, products and/or company names referred to herein might be trademarks of their respective owners.

The information given herein, including drawings, illustrations and schematics which are intended for illustration purposes only, is believed to be reliable. However, TE Connectivity makes no warranties as to its accuracy or completeness and disclaims any liability in connection with its use. TE Connectivity's obligations shall only be as set forth in TE Connectivity's Standard Terms and Conditions of Sale for this product and in no case will TE Connectivity be liable for any incidental, indirect or consequential damages arising out of the sale, resale, use or misuse of the product. Users of TE Connectivity products should make their own evaluation to determine the suitability of each such product for the specific application.

*as defined www.te.com/leadfree

© 2016 TE Connectivity Ltd. family of companies All Rights Reserved.

1-1773725-1 04/16 DND