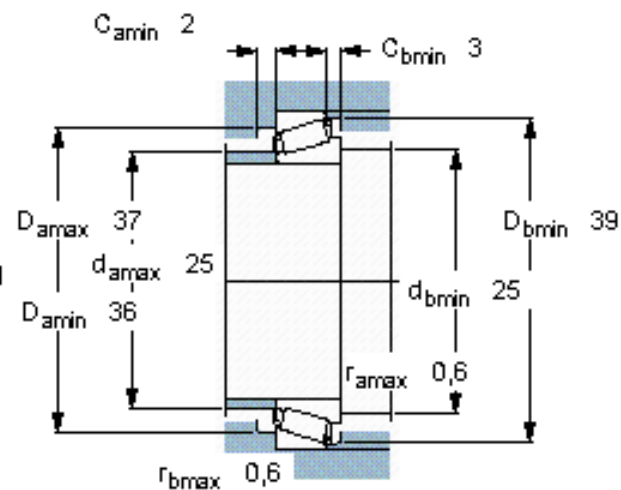
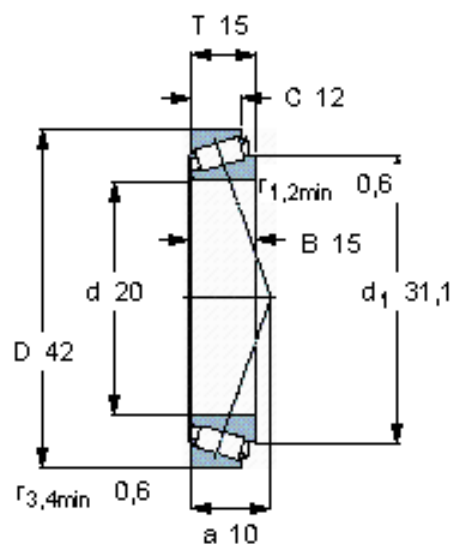


### Taper roller bearings, single row

Principal dimensions			Basic load ratings		Fatigue load limit Pu	Speed ratings		Mass	Designation
d	D	T	dynamic	static		Reference speed	Limiting speed		
mm			kN		kN	r/min		kg	* - SKF Explorer bearing
20	42	15	24,2	27	2,7	12000	16000	0,097	32004 X/Q



#### Calculation factors

e 0,37

Y 1,6

$Y_0$  0,9