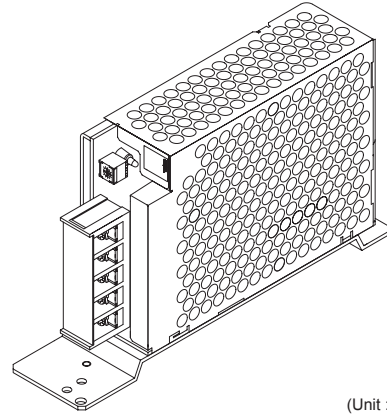


Attachment for Replacement

This is an attachment when replacing to PBA series from P · PAA series.

Plate model	Applicable models
F-PPBA15-1	P15 → PBA15F
F-PPBA30-1	P30 → PBA30F
F-PPBA50-1	P50, PAA50F → PBA50F
F-PPBA75-1	PAA75F → PBA75F
F-PPBA100-1	P100, PAA100F → PBA100F
F-PPBA150-1	P150, PAA150F → PBA150F

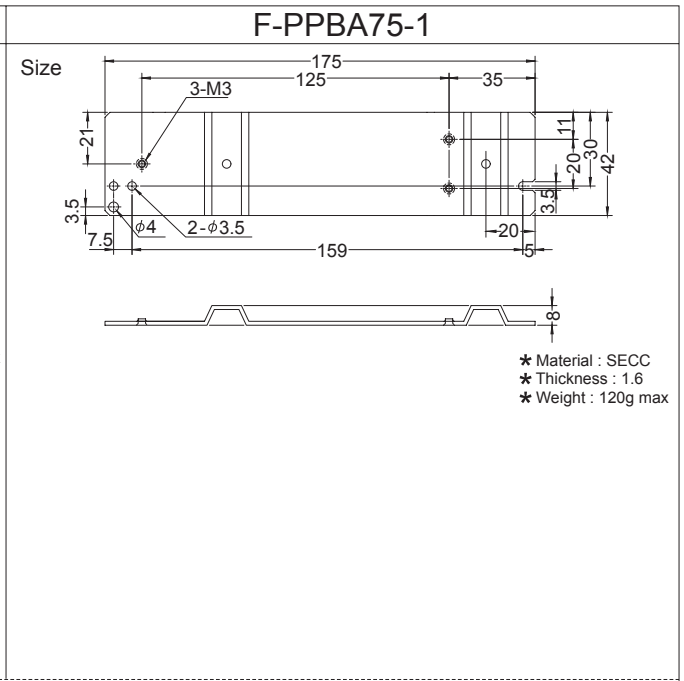
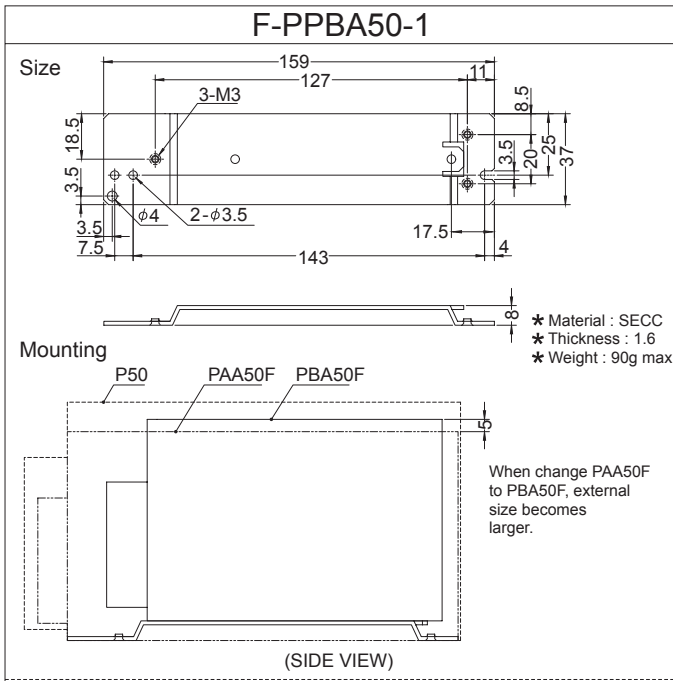
Example (PBA50F)



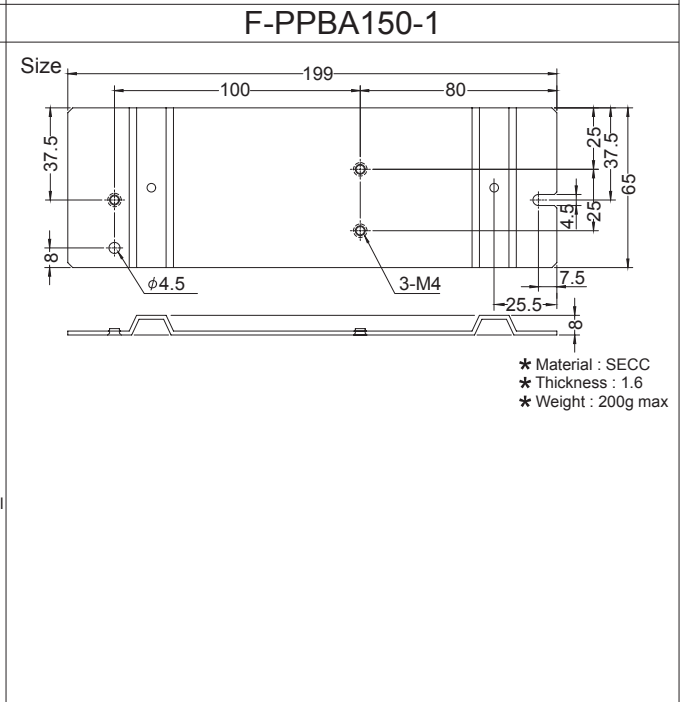
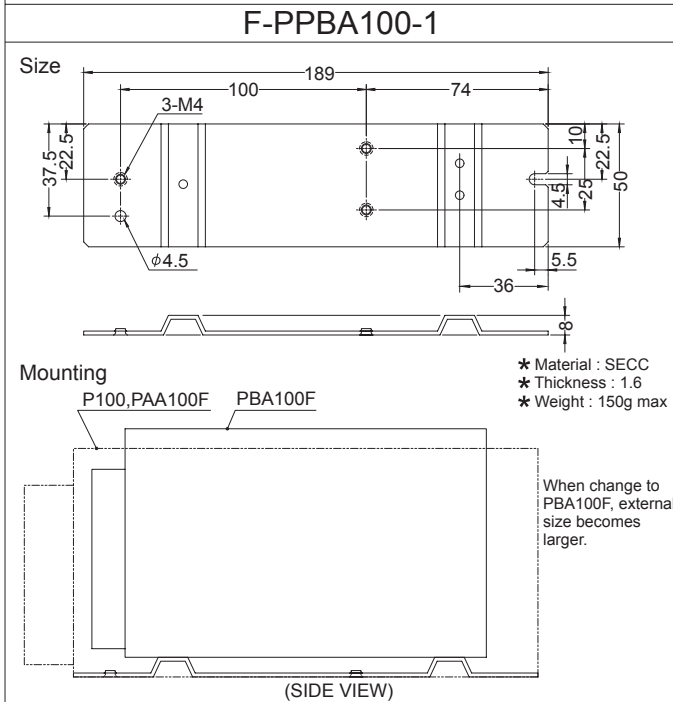
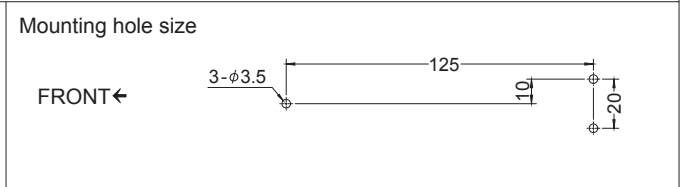
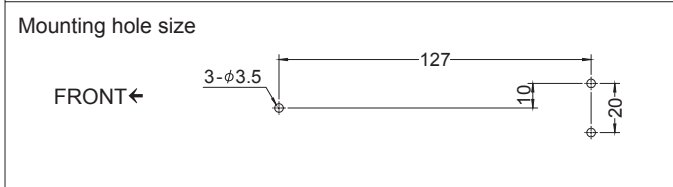
(Unit : mm) (Tolerance : ±1)

F-PPBA15-1	F-PPBA30-1
<p>Size</p> <p>Mounting</p> <p style="text-align: center;">(BOTTOM VIEW)</p> <ul style="list-style-type: none"> ★ Material : SECC ★ Thickness : 1.6 ★ Weight : 100g max 	<p>Size</p> <p>Mounting</p> <p style="text-align: center;">(BOTTOM VIEW)</p> <ul style="list-style-type: none"> ★ Material : SECC ★ Thickness : 1.6 ★ Weight : 120g max
<p>★ M3 screw is requested when mounting. Please check the instruction manual for the size of screw.</p>	
<p>Mounting hole size</p> <p style="text-align: center;">FRONT ←</p>	<p>Mounting hole size</p> <p style="text-align: center;">FRONT ←</p>

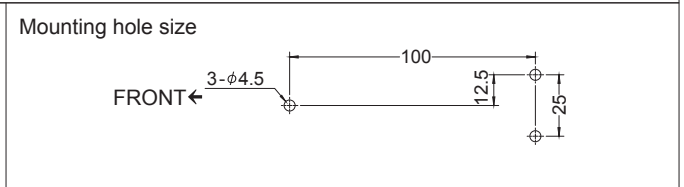
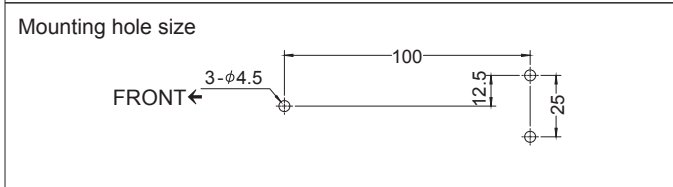
(Unit : mm) (Tolerance : ±1)



* M3 screw is requested when mounting. Please check the instruction manual for the size of screw.



* M3 screw is requested when mounting. Please check the instruction manual for the size of screw.



Mouser Electronics

Authorized Distributor

Click to View Pricing, Inventory, Delivery & Lifecycle Information:

Cosel:

[F-PPBA75-1](#)