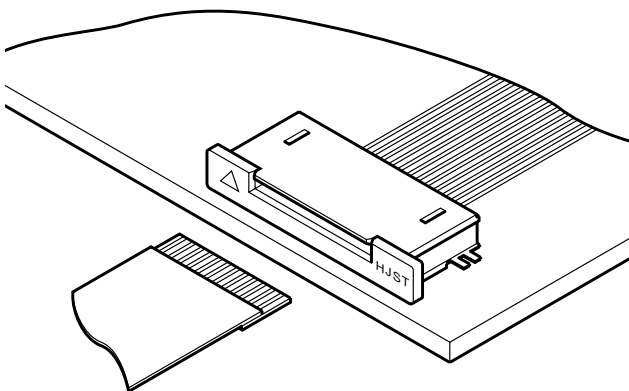


FLZ CONNECTOR

Connectors for FFC and FPC



This extremely small 0.5mm (.020") pitch connector with a height of only 2.0mm (.079") above the PCB surface allows interconnection in extremely small spaces and is an example of JST's leading edge technology.



Features

- **Zero insertion force mechanism**

A ZIF mechanism increases wear resistance and extends the connector's mating life.

- **Heat resistant design suitable for surface mounting**

This surface mountable connector's housing is made of heat resistant plastic to allow reflow soldering.

- **In-line surface mount tails**

Has an in-line surface mount tails for easy inspection.

- **Two types of connections**

The connector is available in either the normal or reverse configurations. The FPC is positioned with its mating surfaces facing upward for the normal configured connector, while the reverse configuration requires that the FPC be positioned with its mating surfaces facing down. The engineer has greater freedom in designing his circuitry.

- **Embossed tape for automatic mounting**

The FLZ connector can be packaged in embossed tape for automatic mounting.

Specifications

- Current rating: 0.5A AC, DC
 - Voltage rating: 50V AC, DC
 - Temperature range: -25°C to +85°C
(including temperature rise in applying electrical current)
 - Contact resistance: Initial value/40mΩ max.
After environmental testing/60m Ω max.
 - Insulation resistance: 800MΩ min.
 - Withstanding voltage: 200V AC/minute
 - Applicable FFC and FPC: Lead pitch/0.5mm(.020")
- Note: Lead width/0.35mm(.140")
Mating part thickness/
0.30±0.03mm(.012" ± .001)

Note: These are reference values. FFC/FPC to be actually used should be checked for applicability.

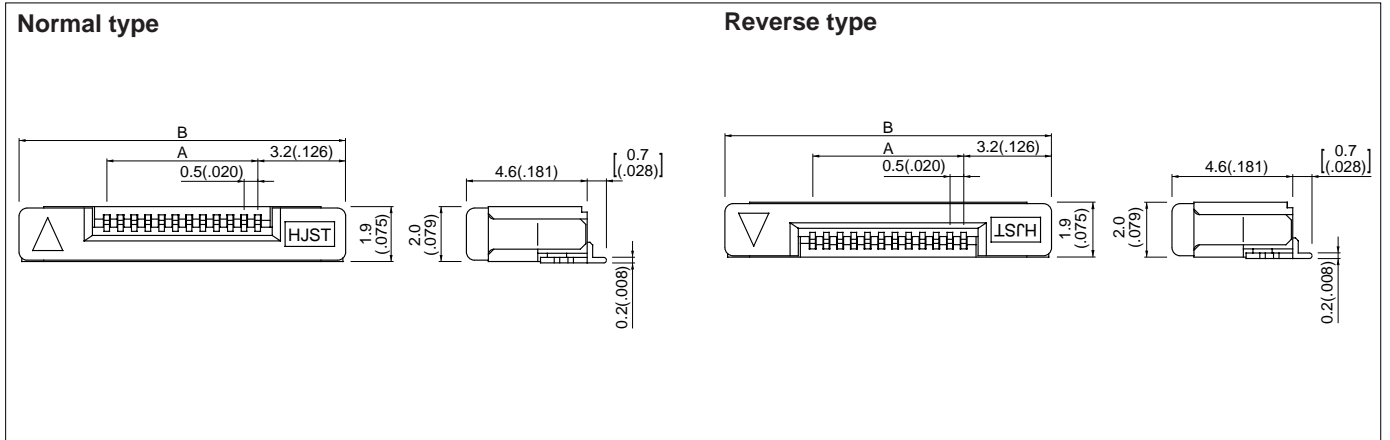
* Contact JST for details.

Standards

Recognized file No. E60389

Certified file No. LR20812

Connector



| Cir- cuits | Model No. | | Dimensions mm(in.) | | Q'ty / reel |
|---------------|--------------|---------------|--------------------|------------|----------------|
| | Normal type | Reverse type | A | B | |
| 6 | 06FLZ-SM1-TB | 06FLZ-RSM1-TB | 2.5(.098) | 8.9(.350) | 2,000 |
| 7 | 07FLZ-SM1-TB | 07FLZ-RSM1-TB | 3.0(.118) | 9.4(.370) | 2,000 |
| 8 | 08FLZ-SM1-TB | 08FLZ-RSM1-TB | 3.5(.138) | 9.9(.390) | 2,000 |
| 9 | 09FLZ-SM1-TB | 09FLZ-RSM1-TB | 4.0(.157) | 10.4(.409) | 2,000 |
| 10 | 10FLZ-SM1-TB | 10FLZ-RSM1-TB | 4.5(.177) | 10.9(.429) | 2,000 |
| 11 | 11FLZ-SM1-TB | 11FLZ-RSM1-TB | 5.0(.197) | 11.4(.449) | 2,000 |
| 12 | 12FLZ-SM1-TB | 12FLZ-RSM1-TB | 5.5(.217) | 11.9(.469) | 2,000 |
| 13 | 13FLZ-SM1-TB | 13FLZ-RSM1-TB | 6.0(.236) | 12.4(.488) | 2,000 |
| 14 | 14FLZ-SM1-TB | 14FLZ-RSM1-TB | 6.5(.256) | 12.9(.508) | 2,000 |
| 15 | 15FLZ-SM1-TB | 15FLZ-RSM1-TB | 7.0(.275) | 13.4(.527) | 2,000 |
| 16 | 16FLZ-SM1-TB | 16FLZ-RSM1-TB | 7.5(.296) | 13.9(.547) | 2,000 |
| 18 | 18FLZ-SM1-TB | 18FLZ-RSM1-TB | 8.5(.335) | 14.9(.587) | 2,000 |
| 20 | 20FLZ-SM1-TB | 20FLZ-RSM1-TB | 9.5(.374) | 15.9(.626) | 2,000 |
| 21 | 21FLZ-SM1-TB | 21FLZ-RSM1-TB | 10.0(.394) | 16.4(.646) | 2,000 |
| 22 | 22FLZ-SM1-TB | 22FLZ-RSM1-TB | 10.5(.413) | 16.9(.665) | 2,000 |
| 23 | 23FLZ-SM1-TB | 23FLZ-RSM1-TB | 11.0(.433) | 17.4(.685) | 2,000 |
| 24 | 24FLZ-SM1-TB | 24FLZ-RSM1-TB | 11.5(.453) | 17.9(.705) | 2,000 |
| 25 | 25FLZ-SM1-TB | 25FLZ-RSM1-TB | 12.0(.472) | 18.4(.724) | 2,000 |
| 26 | 26FLZ-SM1-TB | 26FLZ-RSM1-TB | 12.5(.492) | 18.9(.744) | 2,000 |
| 27 | 27FLZ-SM1-TB | 27FLZ-RSM1-TB | 13.0(.512) | 19.4(.763) | 2,000 |
| 28 | - | 28FLZ-RSM1-TB | 13.5(.531) | 19.9(.783) | 2,000 |
| 30 | 30FLZ-SM1-TB | 30FLZ-RSM1-TB | 14.5(.571) | 20.9(.823) | 2,000 |

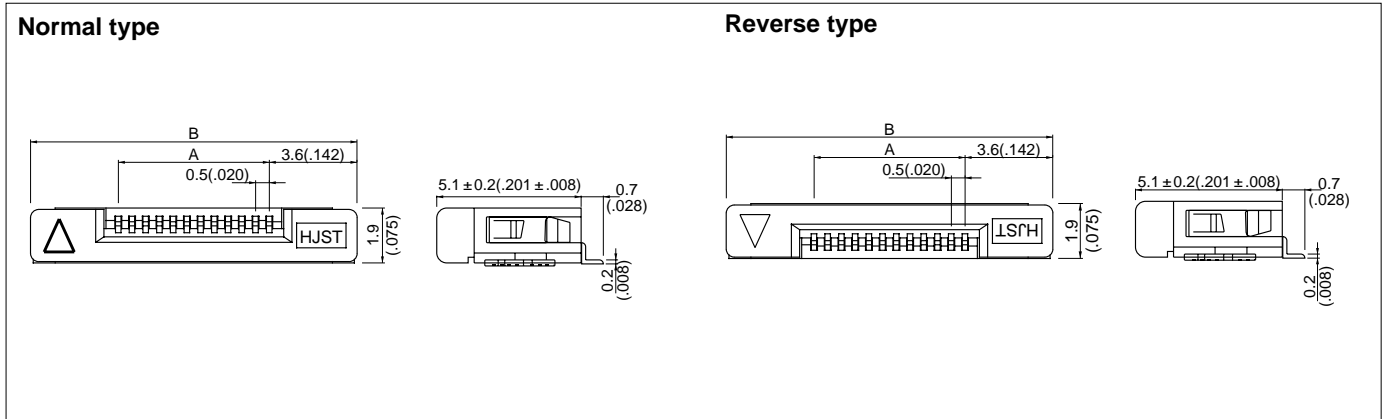
Material and Finish

Contact: Phosphor bronze, tin/lead-plated
 Slider housing: Nylon 46, UL94V-0 (black)
 Receptacle housing: Nylon 46, UL94V-0
 () FLZ-SM1-TB gray
 () FLZ-RSM1-TB natural (ivory)
 Solder tab: Phosphor bronze, tin/lead-plated

Note: The products listed above are supplied on embossed tape.

FLZ CONNECTOR

Connector <Inner-lock type>

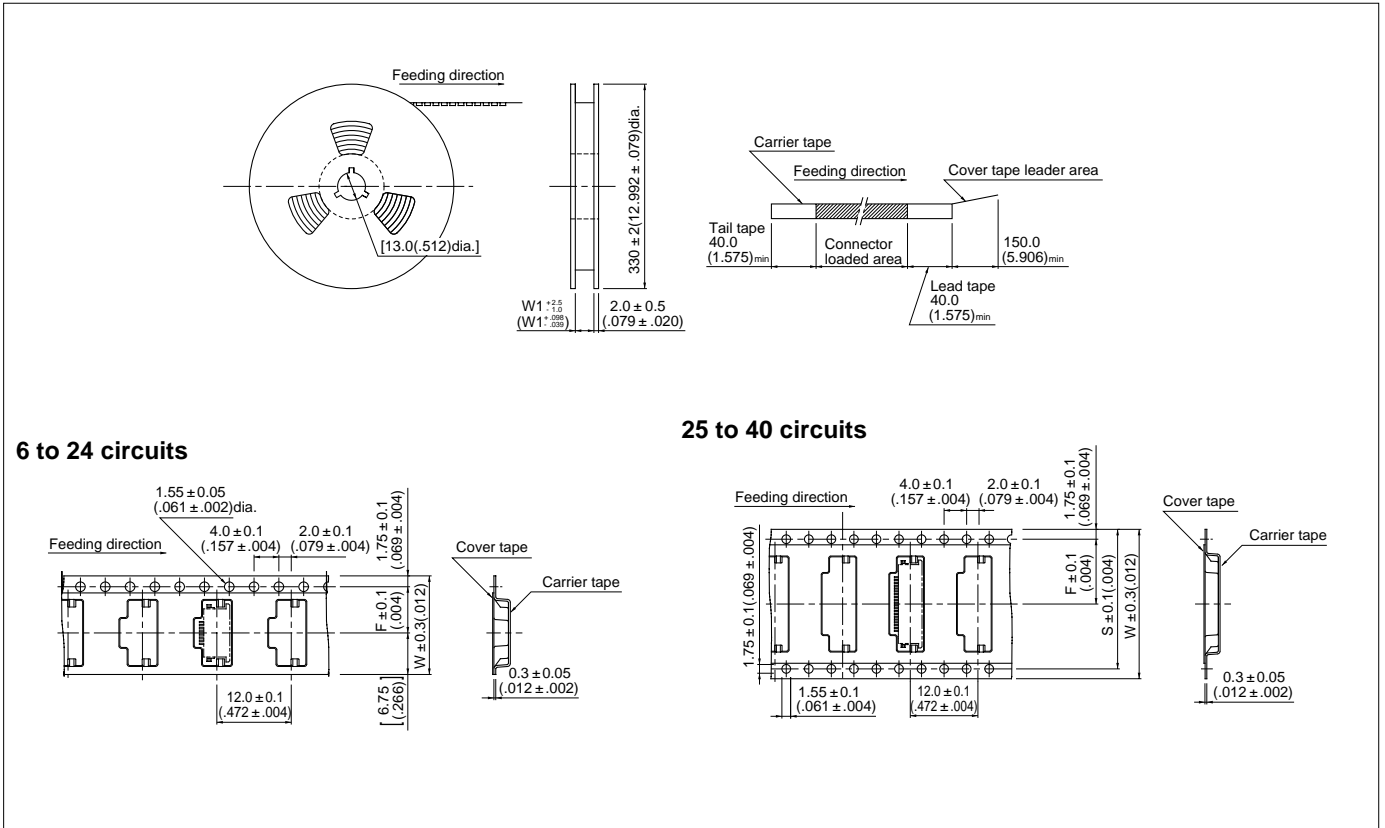


| Cir- cuits | Model No. | | Dimensions mm(in.) | | Q'ty / reel |
|---------------|-----------------------|------------------------|--------------------|-------------|----------------|
| | Normal type | Reverse type | A | B | |
| 13 | - | 13FLZ-RSM1-R-TB | 6.0(.236) | 12.6(.496) | 2,000 |
| 32 | 32FLZ-SM1-R-TB | 32FLZ-RSM1-R-TB | 15.5(.610) | 22.6(.890) | 2,000 |
| 34 | - | 34FLZ-RSM1-R-TB | 16.5(.650) | 23.6(.929) | 2,000 |
| 36 | 36FLZ-SM1-R-TB | 36FLZ-RSM1-R-TB | 17.5(.689) | 24.6(.969) | 2,000 |
| 40 | 40FLZ-SM1-R-TB | 40FLZ-RSM1-R-TB | 19.5(.768) | 26.6(1.047) | 2,000 |
| 42 | 42FLZ-SM1-R-TB | - | 20.5(.807) | 27.6(1.087) | 2,000 |

Material and Finish

Contact: Phosphor bronze, tin/lead-plated
 Slider housing: Nylon 46, UL94V-0 (black)
 Receptacle housing: Nylon 46, UL94V-0
 ()FLZ-SM1-TB gray
 ()FLZ-RSM1-TB natural (ivory)
 Solder tab: Phosphor bronze, tin/lead-plated

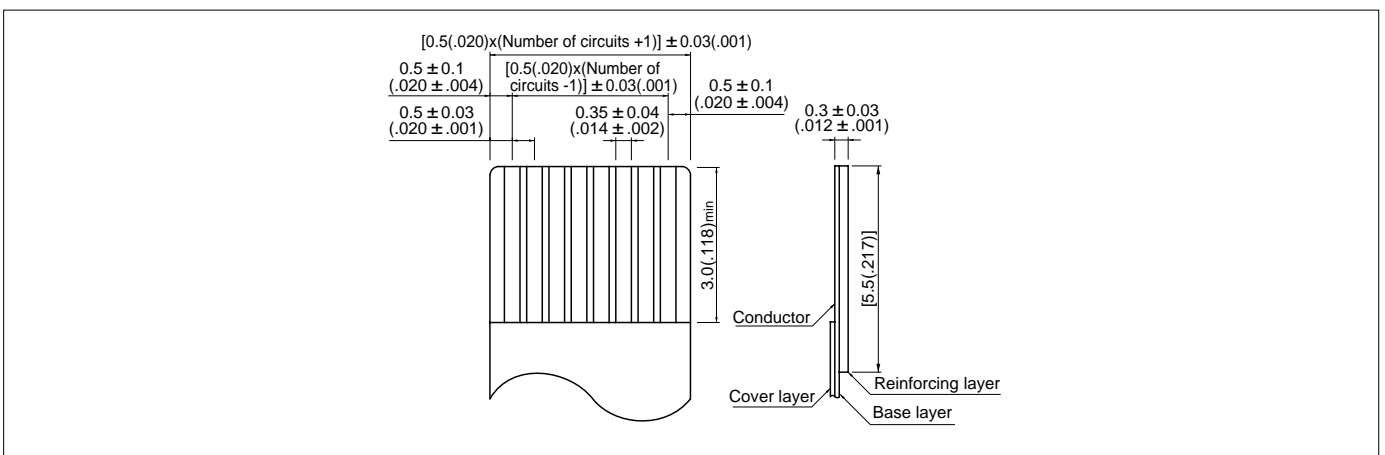
Taping specifications



| Circuits | Taping dimensions mm(in.) | | | Reel dimensions mm(in.) | Q'ty / reel |
|----------|---------------------------|-------------|-------------|-------------------------|-------------|
| | F | S | W | W1 | |
| 6 to 8 | 7.5(.295) | - | 16.0(.630) | 17.5(.689) | 2,000 |
| 9 to 24 | 11.5(.435) | - | 24.0(.945) | 25.5(1.004) | 2,000 |
| 30 | 14.2(.559) | 28.4(1.118) | 32.0(1.260) | 33.5(1.319) | 2,000 |
| 32 to 40 | 20.2(.795) | 40.4(1.591) | 44.0(1.732) | 45.5(1.791) | 2,000 |

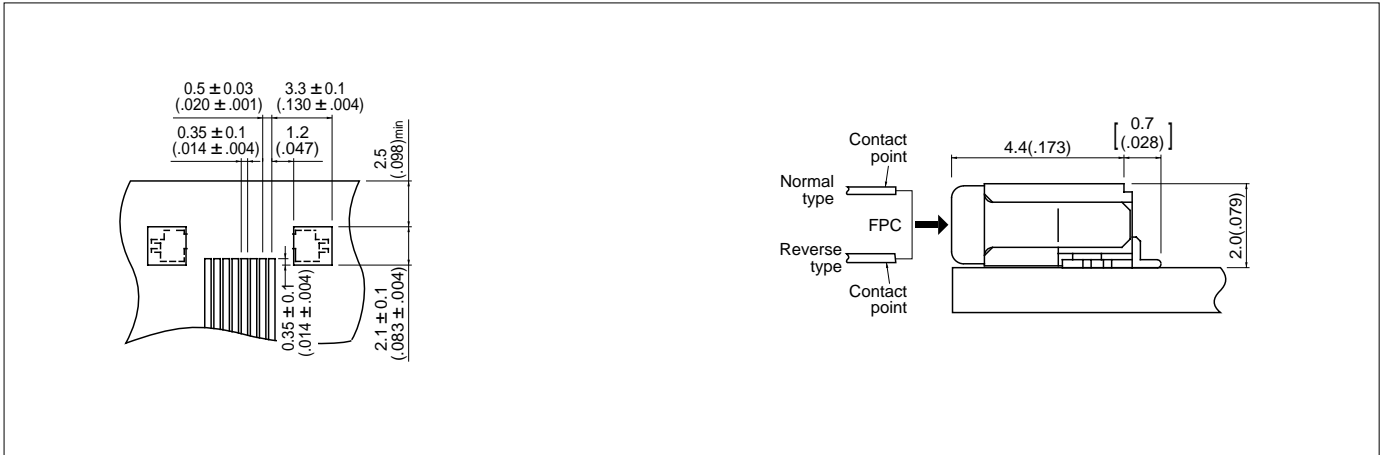
Note: Specifications conform to JIS C 0806. The tape width, connector recess dimensions, etc. are determined by the number of circuits and external shape of the connector to be loaded.

Lead section dimensions of FFC and FPC

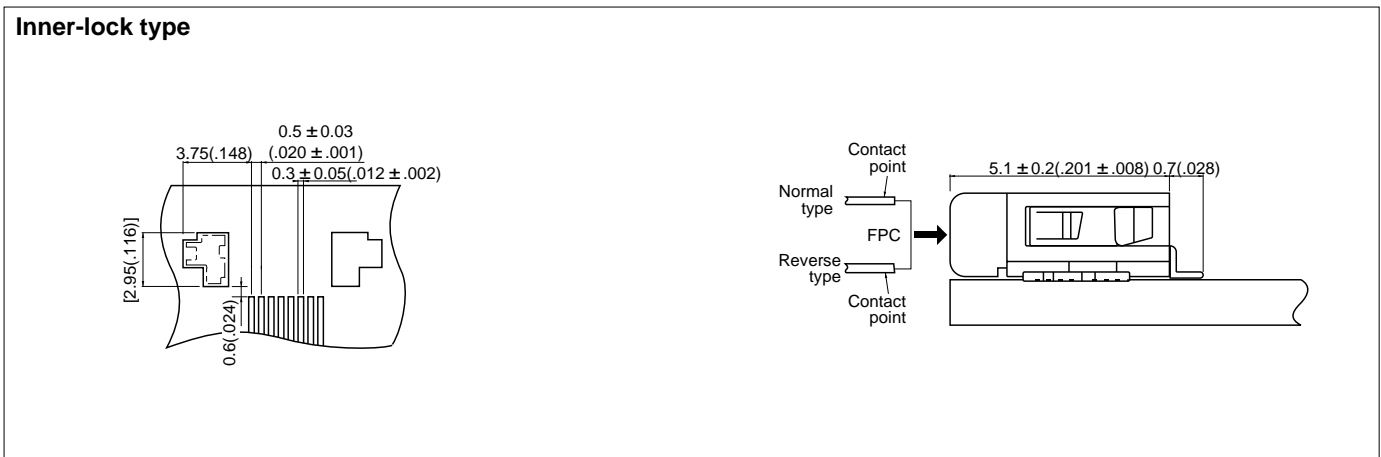


FLZ CONNECTOR

PC board layout (viewed from component side) and Assembly layout



Inner-lock type



Note:

1. Tolerances are non-cumulative: $\pm 0.03\text{mm} (\pm .001")$ for all centers.
2. The dimensions above should serve as a guideline.
Contact JST for details.