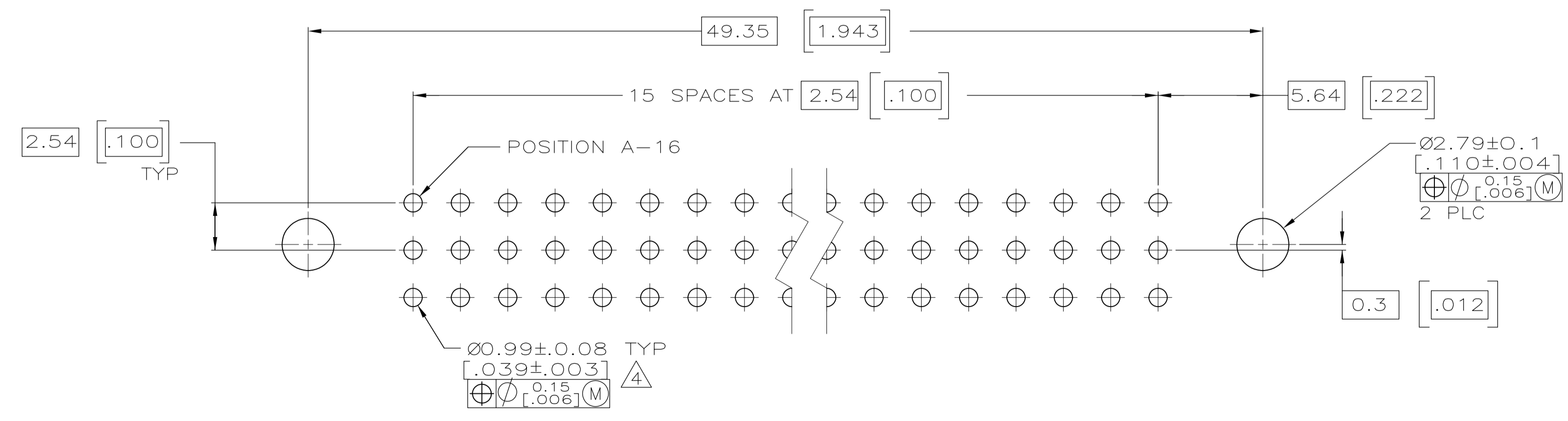
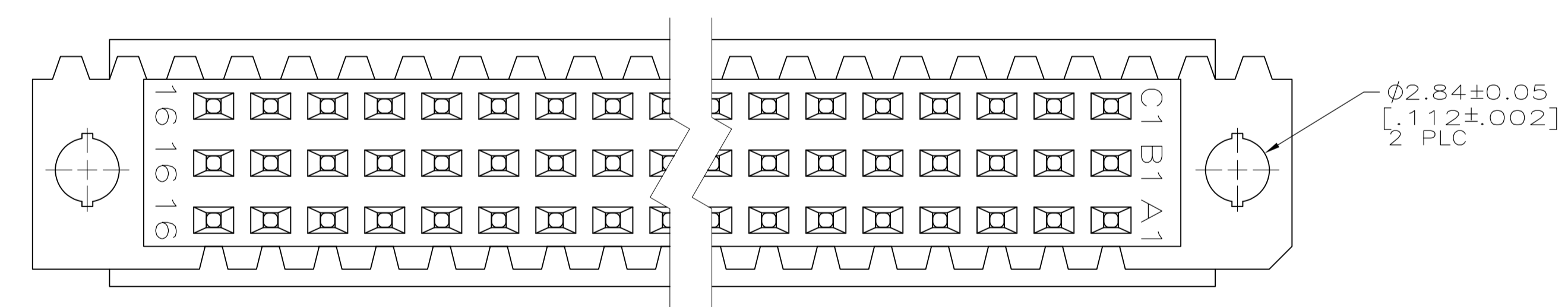
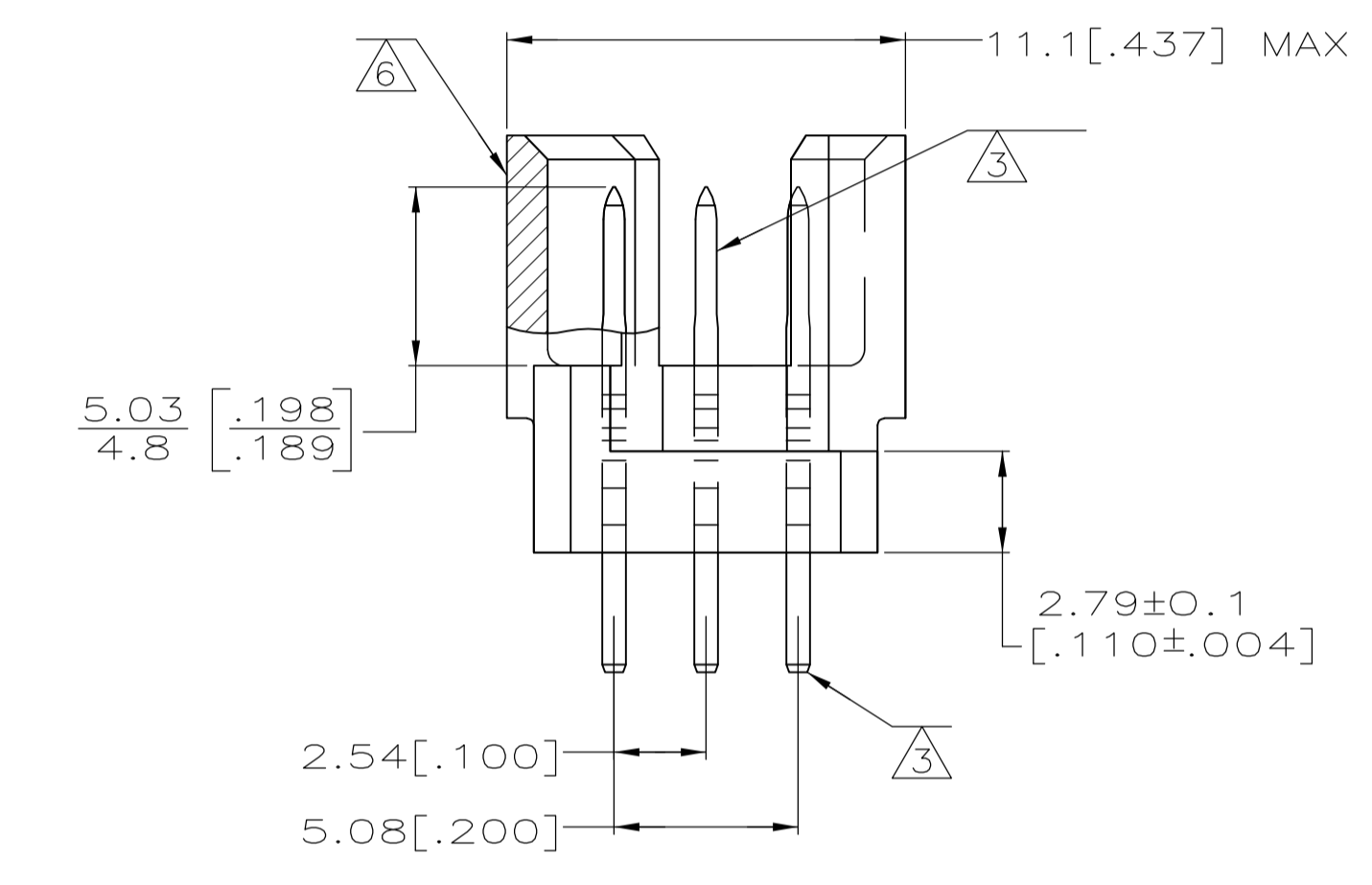
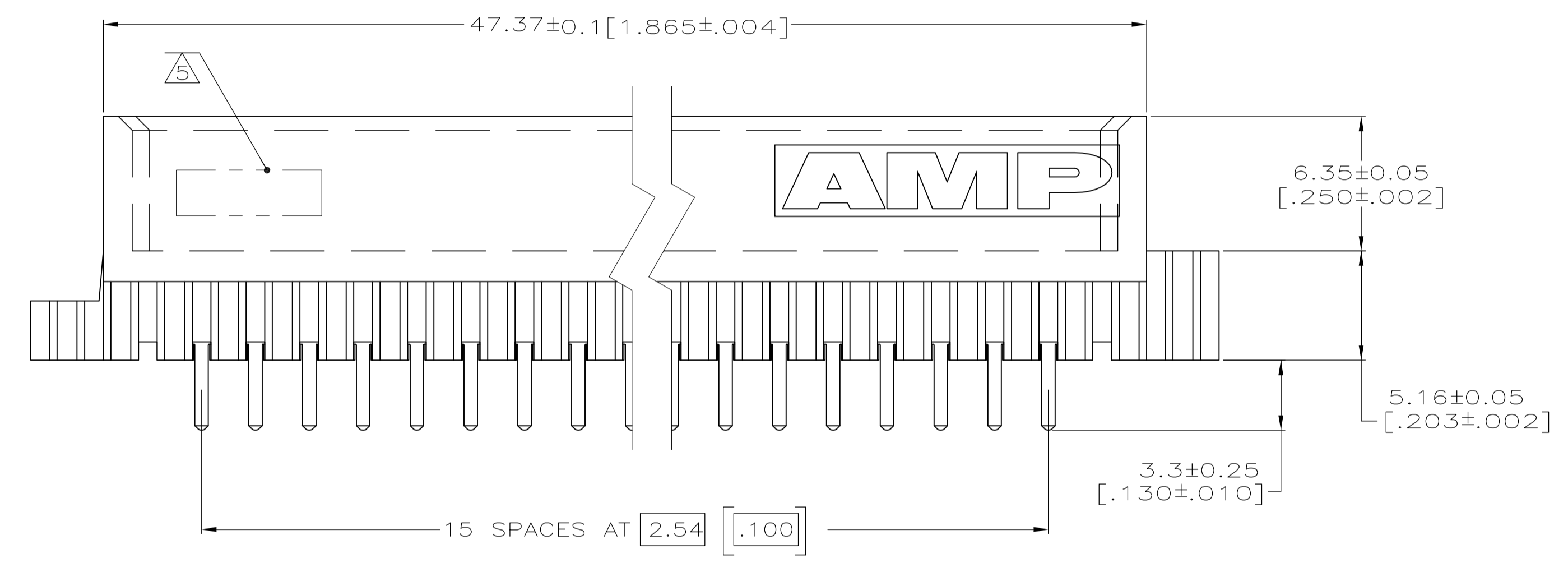


- ① HOUSING MATERIAL: GLASS-FILLED POLYMER. COLOR: GRAY.
- ② POST MATERIAL: COPPER ALLOY.
- ③ POST FINISH: DIN 41612 CLASS 2 IN CONTACT AREA. TIN PLATE ON POSTS.
- ④ RECOMMENDED HOLE SIZE FOR MANUAL APPLICATION OF CONNECTOR ONTO PC BOARD.
- ⑤ PART NUMBER, DATE CODE MARKED THIS APPROXIMATE AREA.
- ⑥ MARKING ON THIS SIDE.



PC BOARD LAYOUT

NOTES	③ 1-16	X	X	X	48	5650479-5
	POSITIONS LOADED	C	B	A	NO. OF LOADED POSITION	ASSY PART NUMBER
		ROWS LOADED				

THIS DRAWING IS A CONTROLLED DOCUMENT.		DIN J. POLIGNONE 18APR05		Tyco Electronics Corporation Harrisburg, Pa 17105-3608	
DIMENSIONS: mm [INCHES]		CIRK A. SHARPE 18APR05		NAME ASSEMBLY, PIN, EUROCARD, TYPE R/2 48, .130 SOLDER POST	
TOLERANCES UNLESS OTHERWISE SPECIFIED:		APVD A. SHARPE 18APR05		APPLICATION SPEC	
0 PLC ± -		SIZE		CAGE CODE DRAWING NO	
1 PLC ± -		WEIGHT		A1 00779 C=5650479	
2 PLC ± -		CUSTOMER DRAWING		SCALE 5:1 SHEET 1 OF 1 REV 01	
3 PLC ± 0.1[.005]					
4 PLC ± -					
ANGLES ± -					