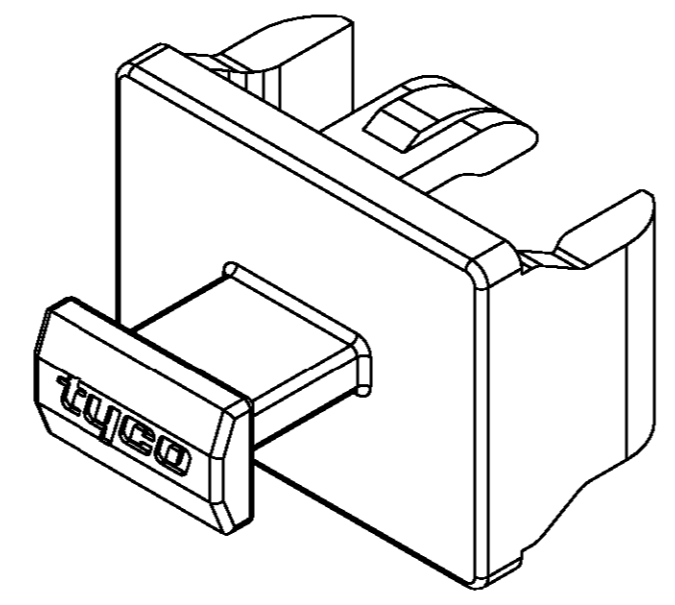
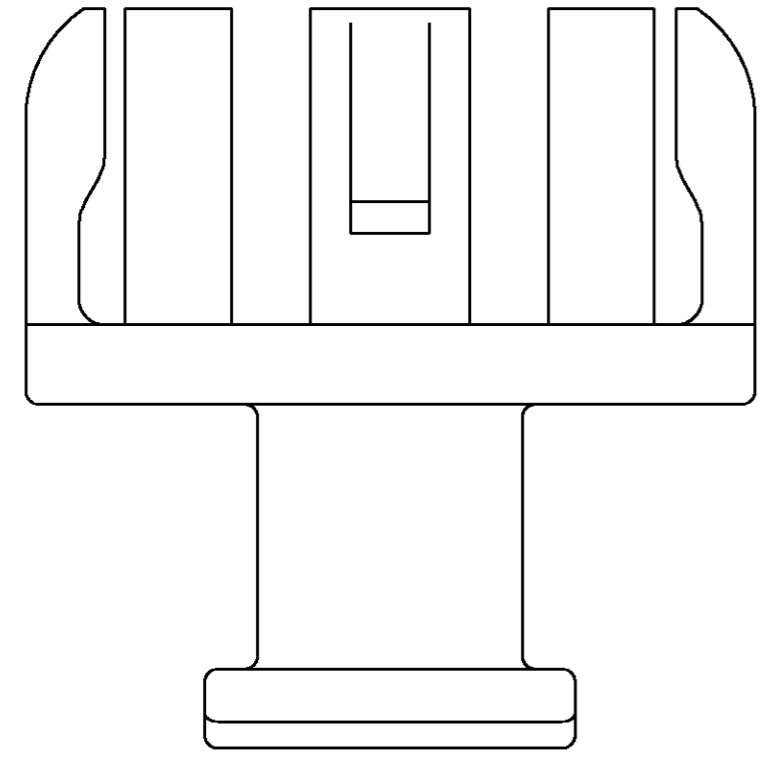


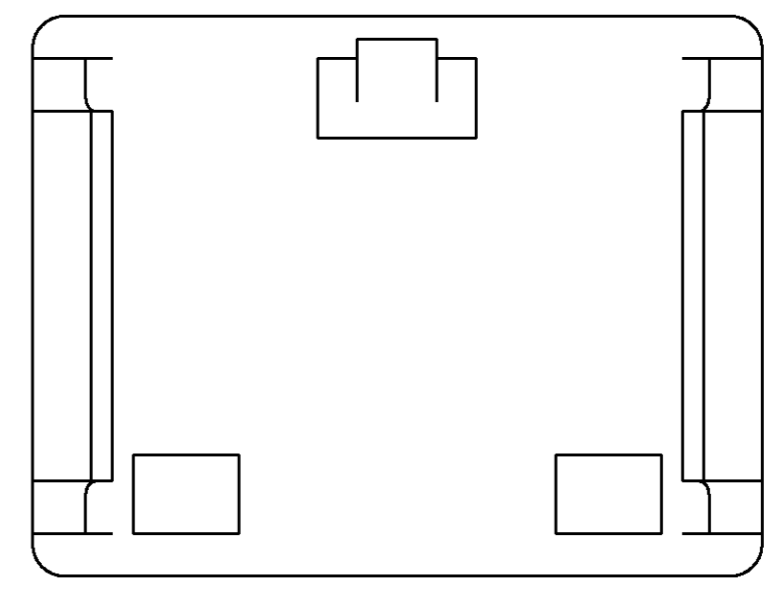
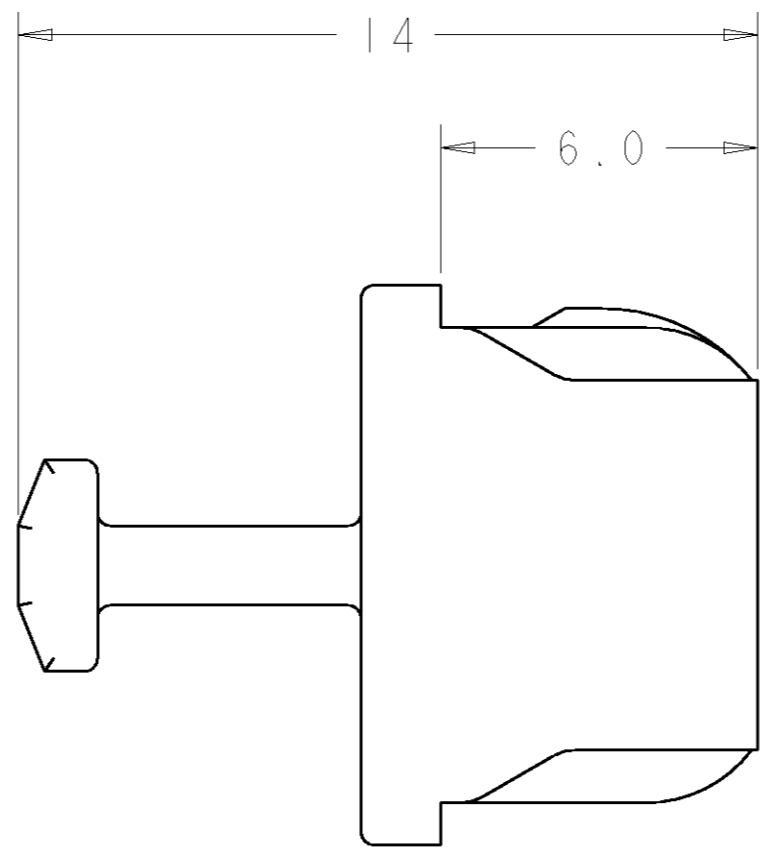
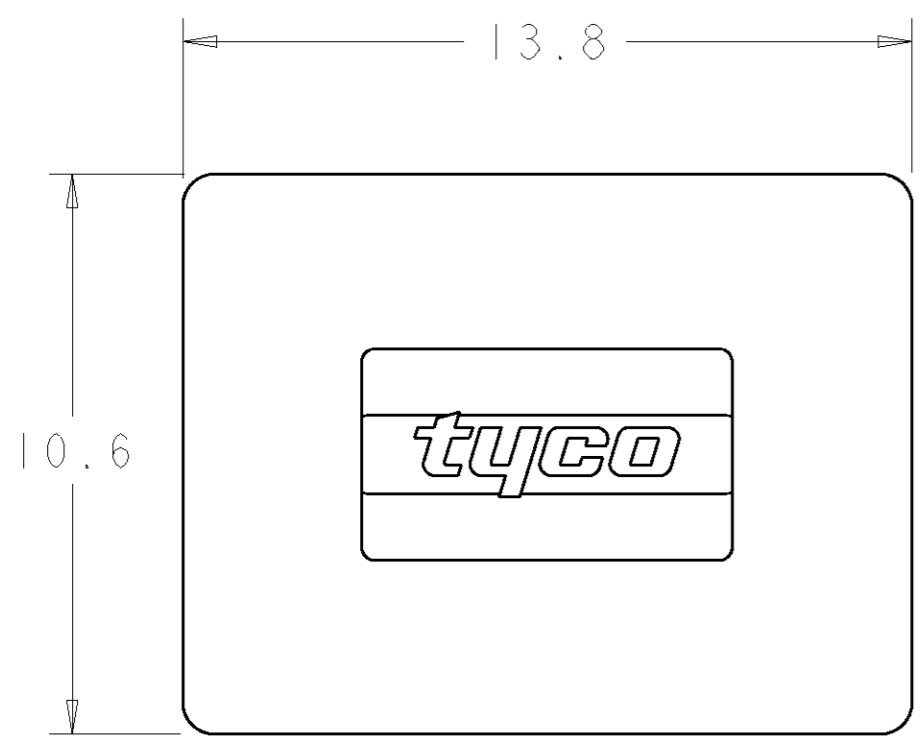
THIS DRAWING IS UNPUBLISHED. RELEASED FOR PUBLICATION 20
 © COPYRIGHT 20 BY TYCO ELECTRONICS CORPORATION. ALL RIGHTS RESERVED.

LOC	DIST	REVISIONS			
P	LTR	DESCRIPTION	DATE	DWN	APVD
GP	00	A	RELEASED PER EC 0S13-0217-05	30APR2005	BC JG



SCALE 5:1

△ THERMOPLASTIC MOLDING COMPOUND.



1761394-1
 PART NUMBER

<small>THIS DRAWING IS A CONTROLLED DOCUMENT FOR TYCO ELECTRONICS CORPORATION IT IS SUBJECT TO CHANGE AND THE CONTROLLING ENGINEERING ORGANIZATION SHOULD BE CONTACTED FOR THE LATEST REVISION.</small>		DWN J.GERACE 15JUL04 CHK J.KOPPENHEFFER 30SPR05 APVD M.WALMSLEY 30APR05	tyco Electronics Tyco Electronics Harrisburg, PA 17105-3608
DIMENSIONS: mm	TOLERANCES UNLESS OTHERWISE SPECIFIED: 0 PLC ± 1 PLC ±0.2 2 PLC ± 3 PLC ± 4 PLC ± ANGLES ± FINISH -	PRODUCT SPEC - APPLICATION SPEC - WEIGHT -	NAME DUST COVER, GANGED AND STACKED, SFP
MATERIAL 		CUSTOMER DRAWING	SIZE A2 CAGE CODE 00779 DRAWING NO. 1761394 RESTRICTED TO - SCALE 7:1 SHEET 1 OF 1 REV A