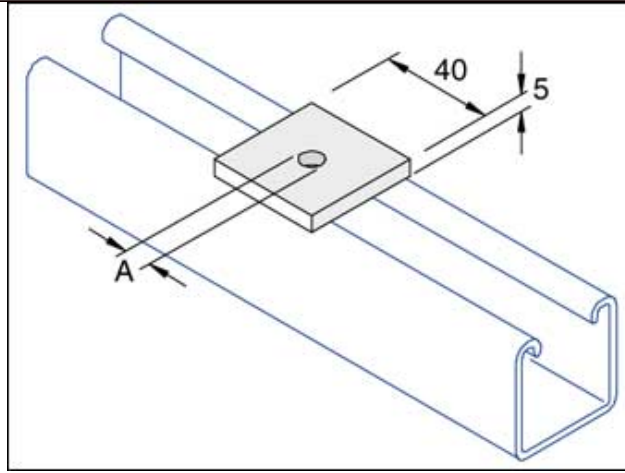


Standard Dimensions:

The following are standard dimensions unless otherwise stated.

All dimensions subject to commercial tolerance.

- Hole Size: 14mm diameter
- Hole Spacing (From End): 20mm from end of fitting
- Hole spacing (On Center): 48mm center to center
- Fitting Width: 40mm



Part No.	Finish	Size	Length	Weight	Box Qty
P1019	HG	M6/8	5	0.06	100
P1020	HG	M10/12	5	0.06	100
P1019	SS	M6/8	5	0.07	100
P1020	SS	M10/12	5	0.07	100

Project: _____

Approval Stamp:

Architect / Engineer: _____

Date: _____ **Phone:** _____

Contractor: _____

Address: _____

Notes 1: _____
