

## Lens Evetar M13B0818 F1.8 f8mm 1/3"



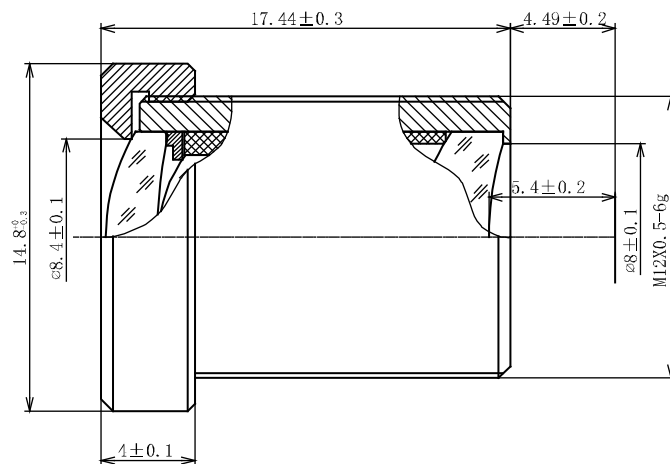
### Order Numbers

- 2000035179** (without IR cut filter)
- 2000035180** (with IR cut filter)

### Key Features

- S-mount lens with optimum price/performance ratio
- 1/3" lens with fixed focal length of 8.0 mm and fixed iris of f/1.8
- Available with IR cut filter (for color cameras) or without IR cut filter (for mono cameras)

Technical Specifications	
Image Circle	1/3"
Focal Length	8.0 mm
Aperture	f/1.8
Iris Type	fixed
MOD	200 mm
Resolution	MP
Angle of View (D / H / V)	45° / 35.5° / 26°
Back Focal Length	5.4 mm
Mount	M12x0.5-6g



(Dimensions in mm)

# Mouser Electronics

Authorized Distributor

Click to View Pricing, Inventory, Delivery & Lifecycle Information:

Basler:

[2000035180](#) [2000035179](#)