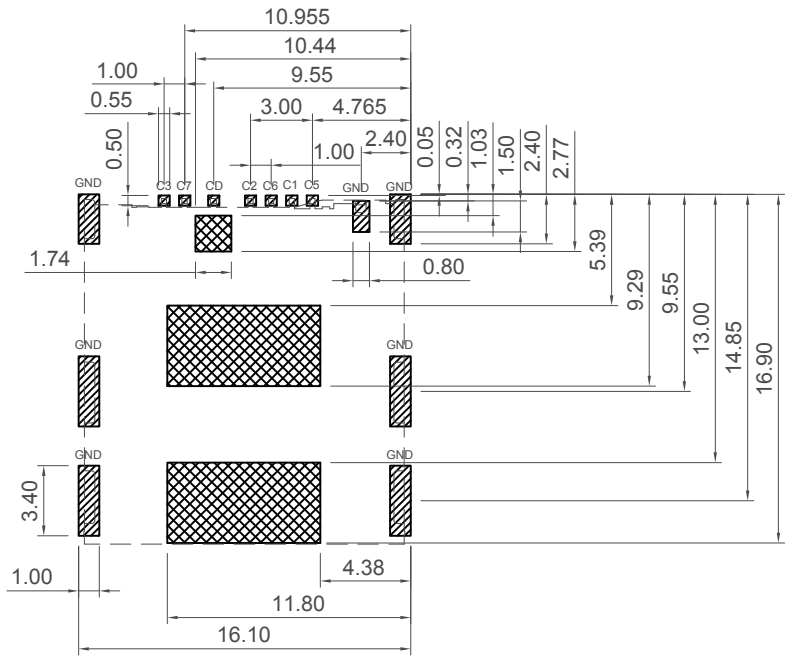
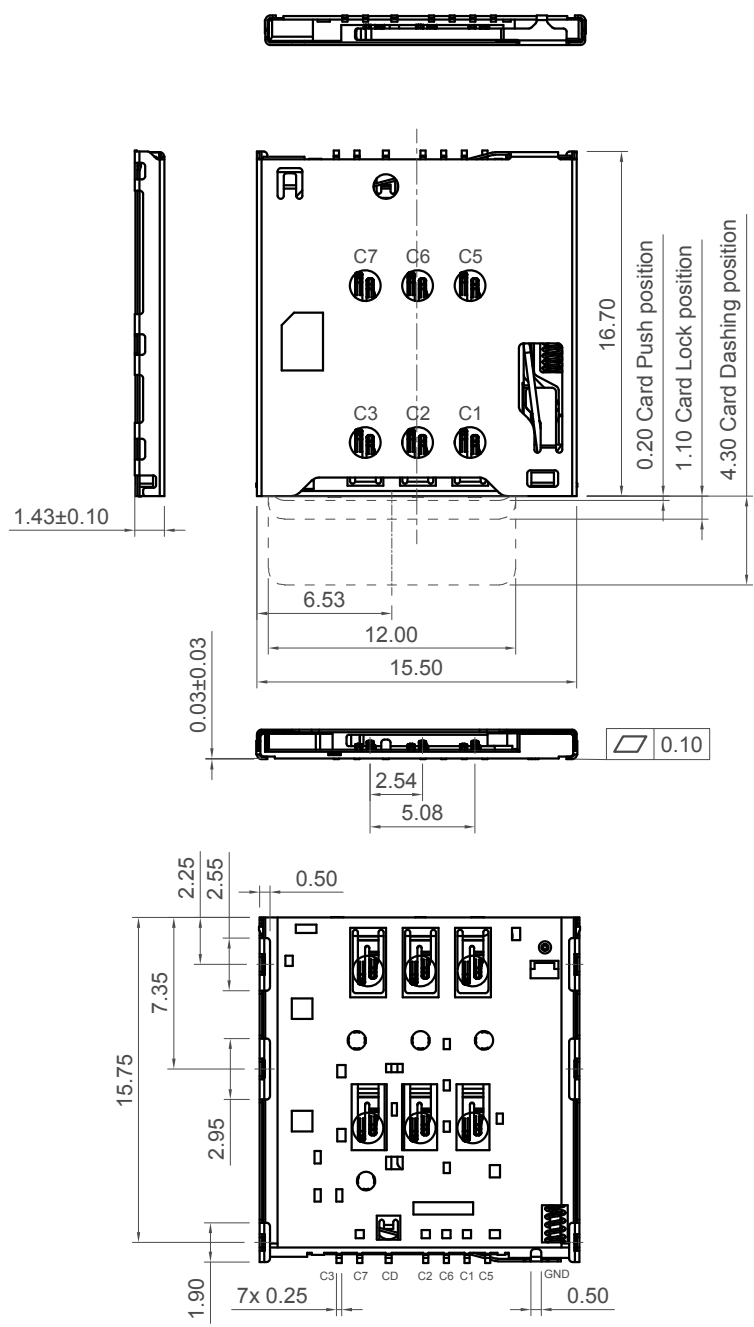


H  
G  
F  
E  
D  
C  
B  
A

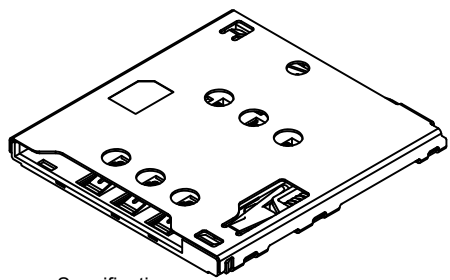
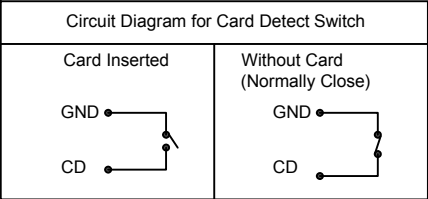


**Recommended PCB Layout**

General Tolerance  $\pm 0.05$

Locating peg holes only applicable to locating peg version

Solder Area  
 Keep Out Area  
 Component Outline



**Specification:**

**Material:**

Housing: LCP, S475, UL94V-0, Black  
 Slider: LCP, MG350, UL94V-0, Black  
 Contact Terminal: Copper Alloy, C5210-EH  
 Shell: Stainless Steel, SUS304  
 Link: Stainless Steel, USB304  
 Spring: Stainless Steel, SWP-B

**Plating:**

**Contact Terminal:**  
 Contact Area: Gold Flash  
 Solder area: Gold Flash  
 Underplating: Ni overall 50 $\mu$ " min.  
**Shell:** Ni overall, 50 $\mu$ " min.  
 Solder area: Gold Flash  
**Link & Spring:** Heating Treatment

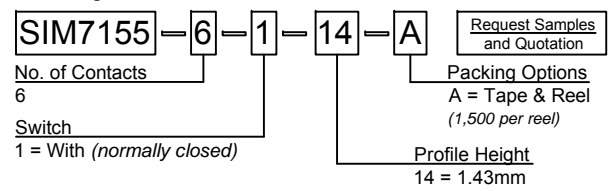
**Electrical:**

Voltage Rating: 30V max.  
 Current Rating: 0.5A max.  
 Dielectric Withstanding: 500V AC  
 Insulation Resistance: 1000 M $\Omega$  min.  
**Contact Resistance:**  
 Initial: 100 m $\Omega$  max. (signal)  
 300 m $\Omega$  max. (switch)  
 Final: 150 m $\Omega$  max. (signal)  
 400 m $\Omega$  max. (switch)

**Mechanical:**

Duration: 3000 cycles  
 Operating Temperature: -40°C to +85°C

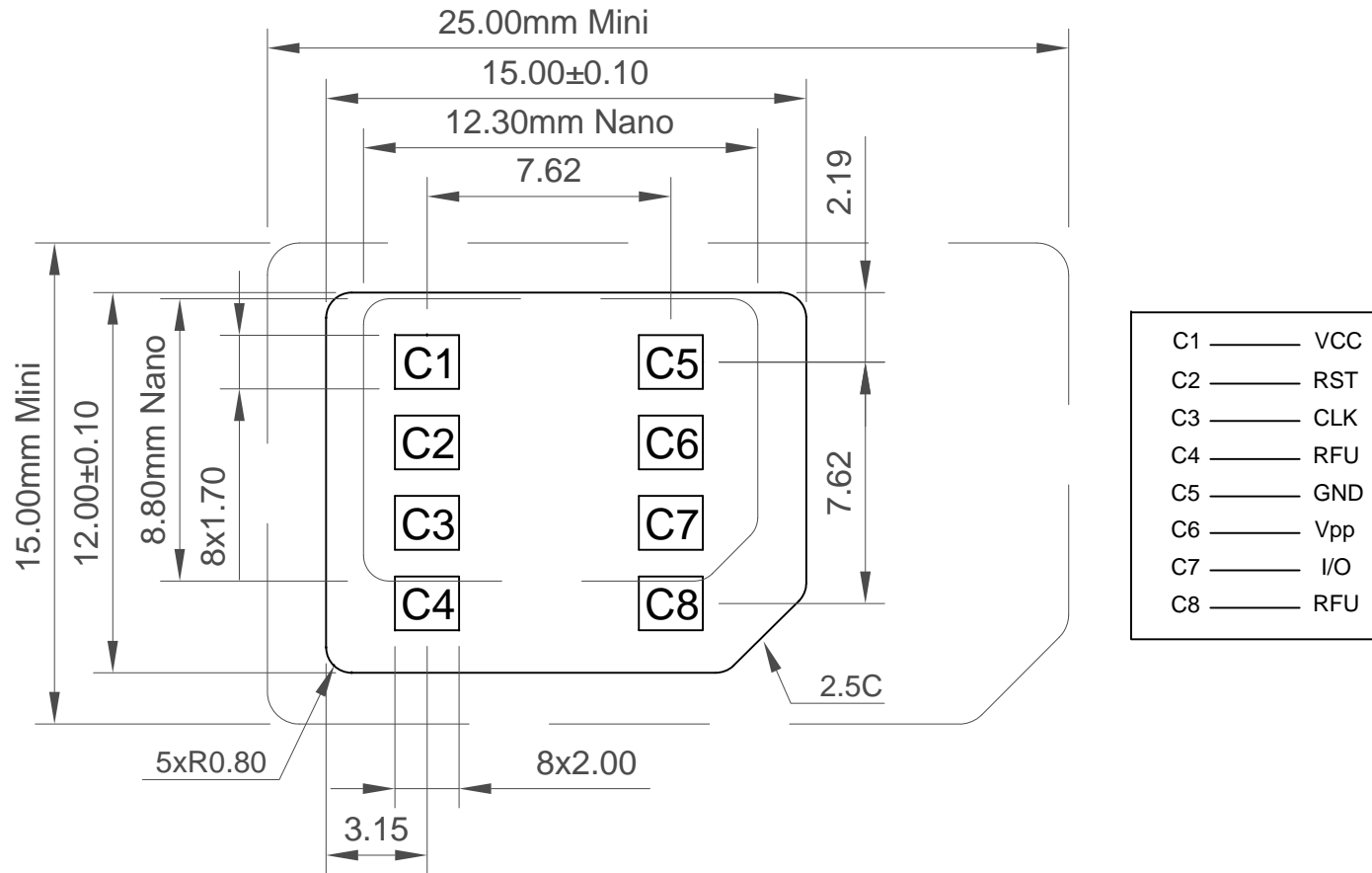
**Ordering Grid**



Part Number		Product Description			
SIM7155		Micro SIM Card Connector - Push-Push Type			
Drawing Date		6 Pin, SMT, 1.43mm Profile			
12th April 2021				This drawing is confidential and copyright of Global Connector Technology, Ltd (GCT). This drawing must not be copied or disclosed without written consent. E & OE	
By	CC	Tolerances (Except as Noted)	Units:		
Detail	Drawing Release	Length	Metric (mm)		
Revision	A	Angle	X.X $\pm$ 0.30 X.XX $\pm$ 0.25 X.XXX $\pm$ 0.10		
Date	12/04/21	X. $^{\circ}$ $\pm$ 2 $^{\circ}$			
Not to Scale		Drawn By	CC	Sheet No.	1/3

# Micro SIM Reference

thickness =  $0.76 \pm 0.08$



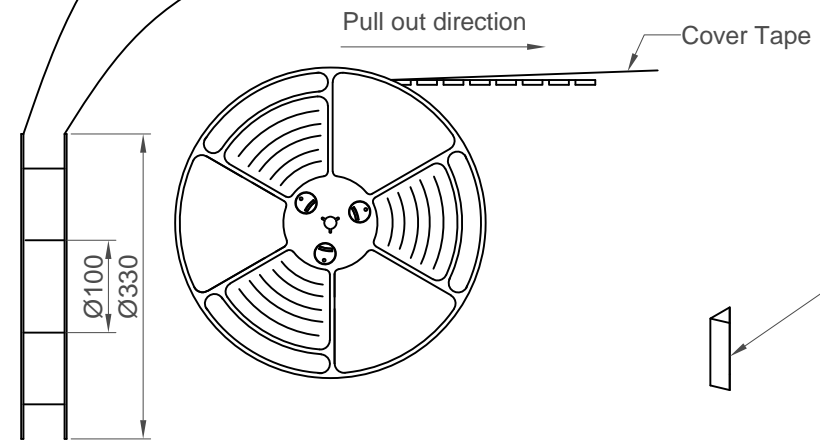
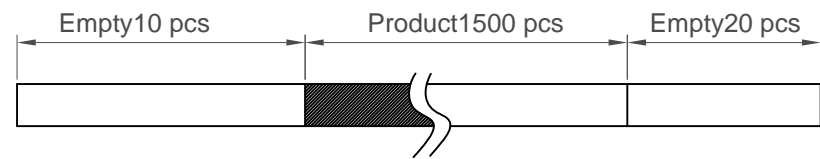
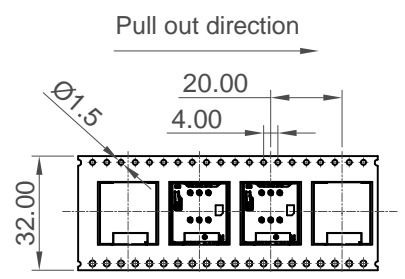
Part Number		Product Description	
SIM7155		Micro SIM Card Connector - Push-Push Type	
Drawing Date		6 Pin, SMT, 1.43mm Profile	
12th April 2021			
By	CC	Tolerances (Except as Noted)	Units:
Detail	Drawing Release	Length	Metric (mm)
Revision	A	X.X ± 0.30	
Date	12/04/21	X.XX ± 0.25	
		X.XXX ± 0.10	
		X.° ± 2°	



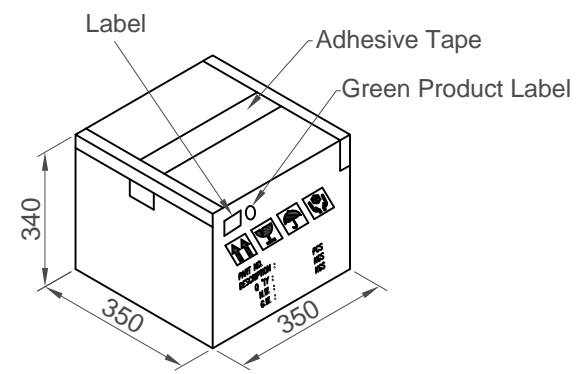
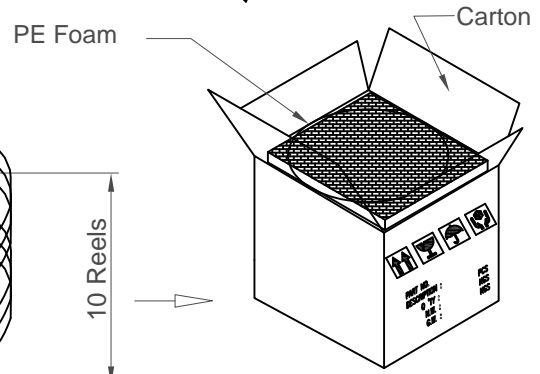
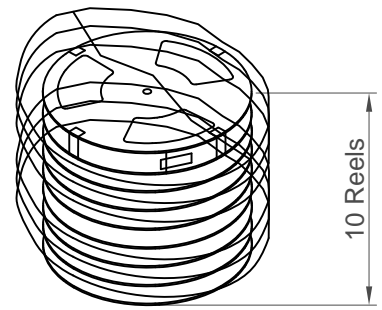
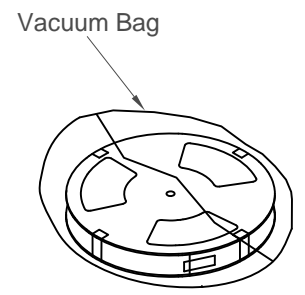
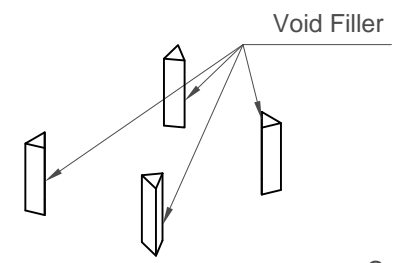
This drawing is confidential and copyright of Global Connector Technology, Ltd (GCT). This drawing must not be copied or disclosed without written consent. E & OE

Not to Scale	Drawn By CC	Sheet No. 2/3
--------------	----------------	------------------

H  
G  
F  
E  
D  
C  
B  
A



Pcs/Reel	Reels/Carton	Pcs/Carton
1500	8	12000



Part Number		Product Description	
SIM7155		Micro SIM Card Connector - Push-Push Type	
Drawing Date		6 Pin, SMT, 1.43mm Profile	
12th April 2021			
By	CC	Tolerances (Except as Noted)	Units:
Detail	Drawing Release	Length	Metric (mm)
Revision	A	X.X ± 0.30	
Date	12/04/21	X.XX ± 0.25	
		X.XXX ± 0.10	

This drawing is confidential and copyright of Global Connector Technology, Ltd (GCT). This drawing must not be copied or disclosed without written consent. E & OE



Not to Scale	Drawn By CC	Sheet No. 3/3
--------------	-------------	---------------

1 2 3 4 5 6 7 8